



US00D576156S

(12) **United States Design Patent**
Wilson et al.

(10) **Patent No.:** **US D576,156 S**
(45) **Date of Patent:** **** Sep. 2, 2008**

(54) **MICROPHONE AND CALL/END-CALL
BUTTON FOR A HANDS-FREE CELL PHONE
KIT**

(75) Inventors: **Shane Wilson**, Clinton Township, MI
(US); **Joseph Dentamaro**, St. Clair
Shores, MI (US)

(73) Assignee: **Audiovox Corporation**, Hauppauge, NY
(US)

(**) Term: **14 Years**

(21) Appl. No.: **29/283,846**

(22) Filed: **Aug. 24, 2007**

(51) **LOC (8) Cl.** **14-01**

(52) **U.S. Cl.** **D14/225**

(58) **Field of Classification Search** D14/225,
D14/228, 223, 299, 150, 155, 156, 160, 167,
D14/191, 192, 217, 218, 212, 240, 243, 248,
D14/227, 229, 137, 242; D3/273, 110; D13/108,
D13/158, 162, 168, 171, 174; D10/104,
D10/120, 126, 106; D19/60; D21/324, 333,
D21/625; 446/397, 404, 417; 348/734; 381/91,
381/361; 379/420.02, 420.01

See application file for complete search history.

(56) **References Cited**

U.S. PATENT DOCUMENTS

D111,780 S * 10/1938 Bear et al. D13/158
D195,972 S * 8/1963 Spilman D14/225
D299,040 S * 12/1988 Burnham D21/625
D306,583 S * 3/1990 Krolopp et al. D14/137

5,243,430 A * 9/1993 Emmons 348/734
D357,685 S * 4/1995 Reardon et al. D14/242
D403,328 S * 12/1998 Wakefield D14/229
D411,995 S * 7/1999 Chen D14/150
D418,512 S * 1/2000 Lin et al. D14/227
6,016,346 A * 1/2000 Rittmueller et al. 379/420.02
D439,538 S * 3/2001 Lynch D10/106
D449,286 S * 10/2001 Wakefield et al. D14/150
D473,546 S * 4/2003 Hovanky et al. D14/240

* cited by examiner

Primary Examiner—Paula A Greene

(74) *Attorney, Agent, or Firm*—F. Chau & Associates, LLC

(57) **CLAIM**

The ornamental design for a microphone and call/end-call button for a hands-free cell phone kit, substantially as shown and described.

DESCRIPTION

FIG. 1 is a front view of the microphone and call/end-call button for a hands-free cell phone kit in accordance with the present invention;

FIG. 2 is a back view thereof;

FIG. 3 is a left side view thereof;

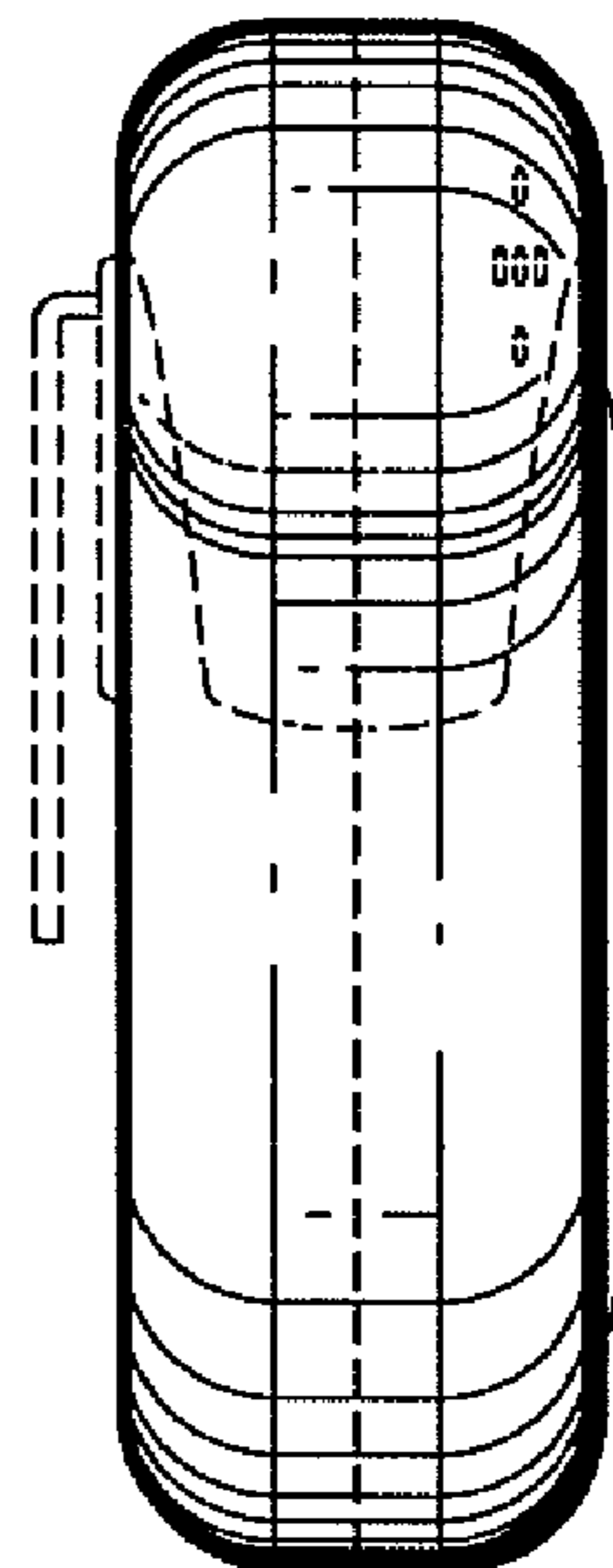
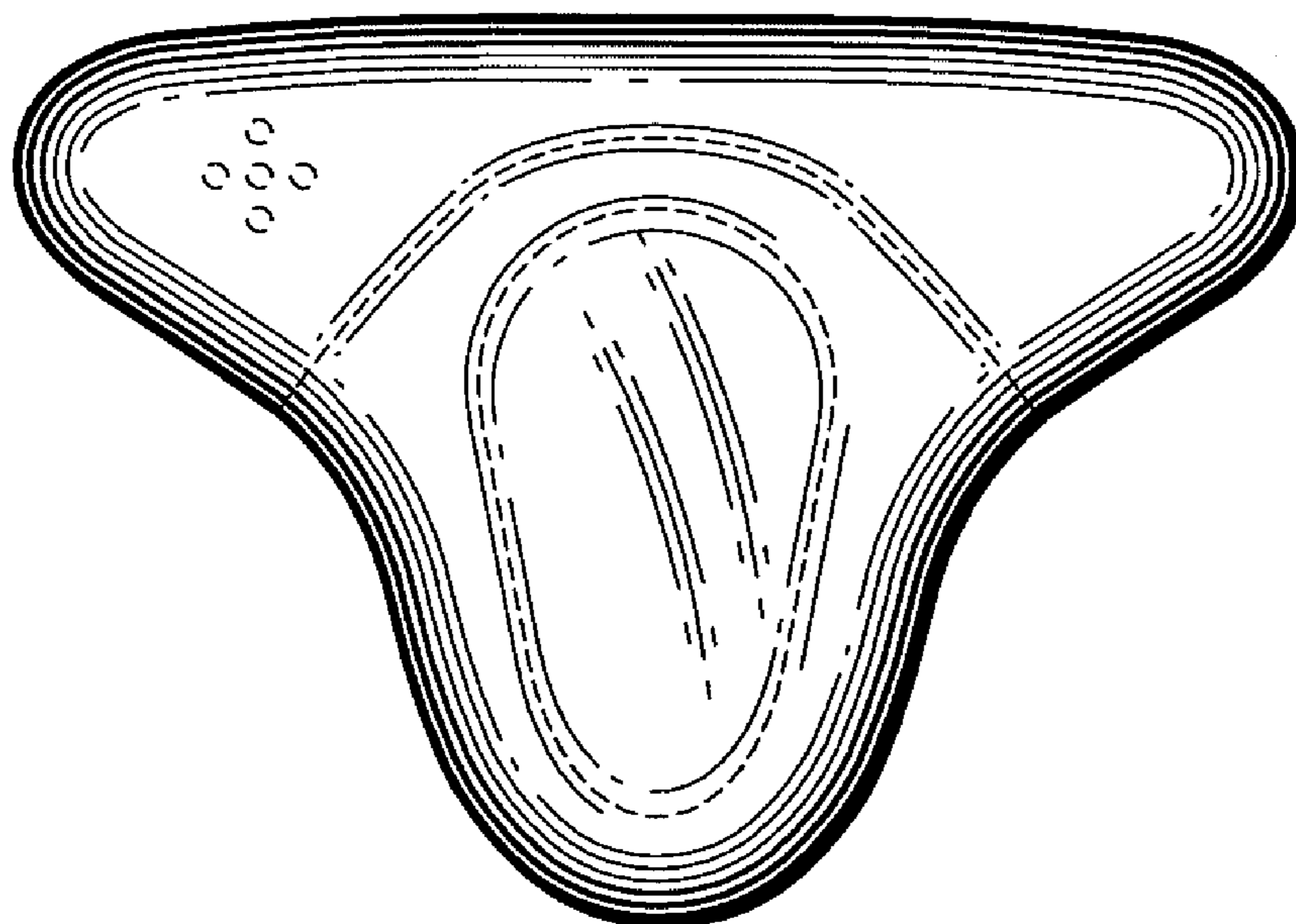
FIG. 4 is a right side view thereof;

FIG. 5 is a top side view thereof; and,

FIG. 6 is a bottom side view thereof.

The broken lines shown in the Figures are for illustrative purposes as an environment and form no part of the claimed design.

1 Claim, 2 Drawing Sheets



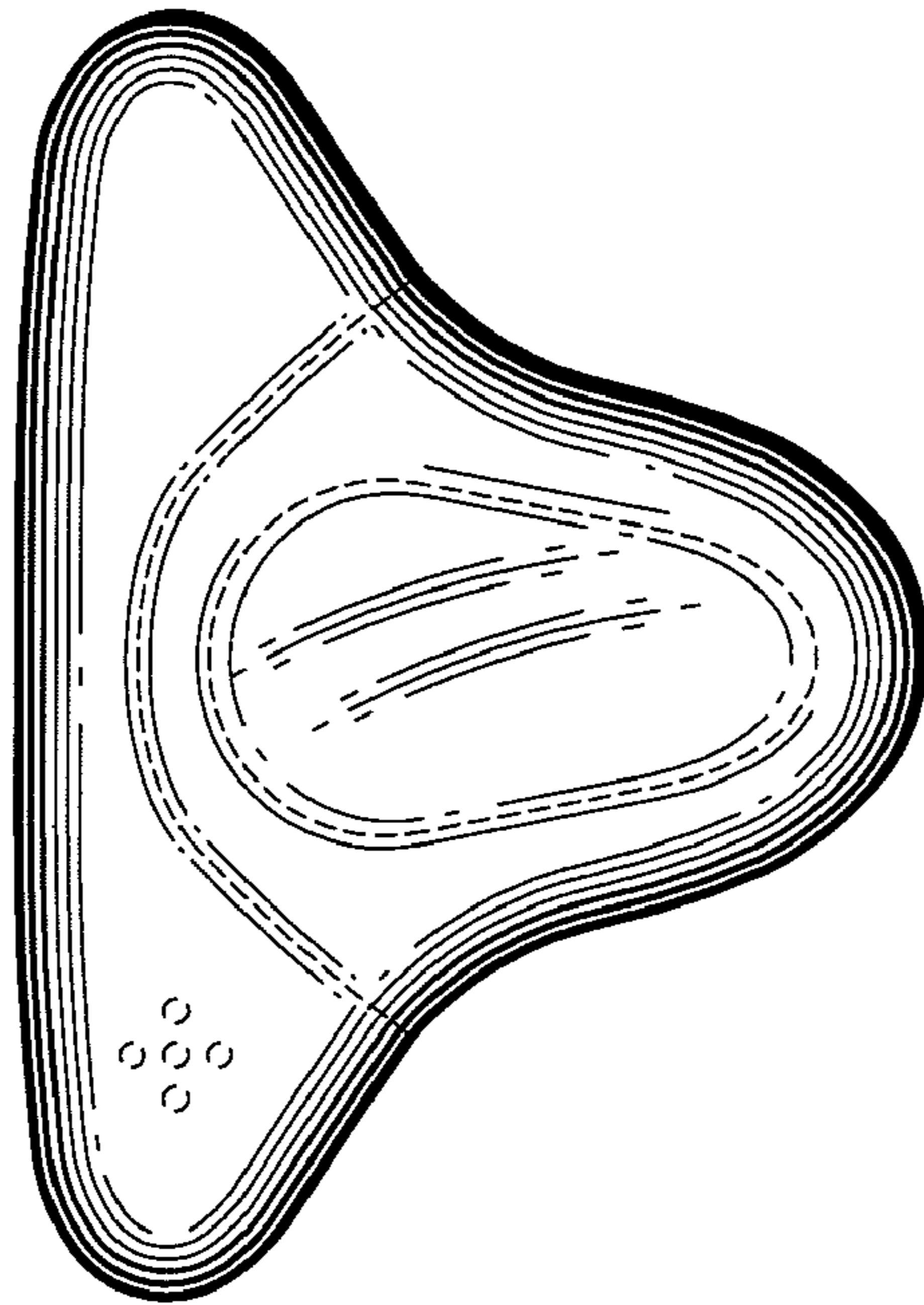


FIG. 1

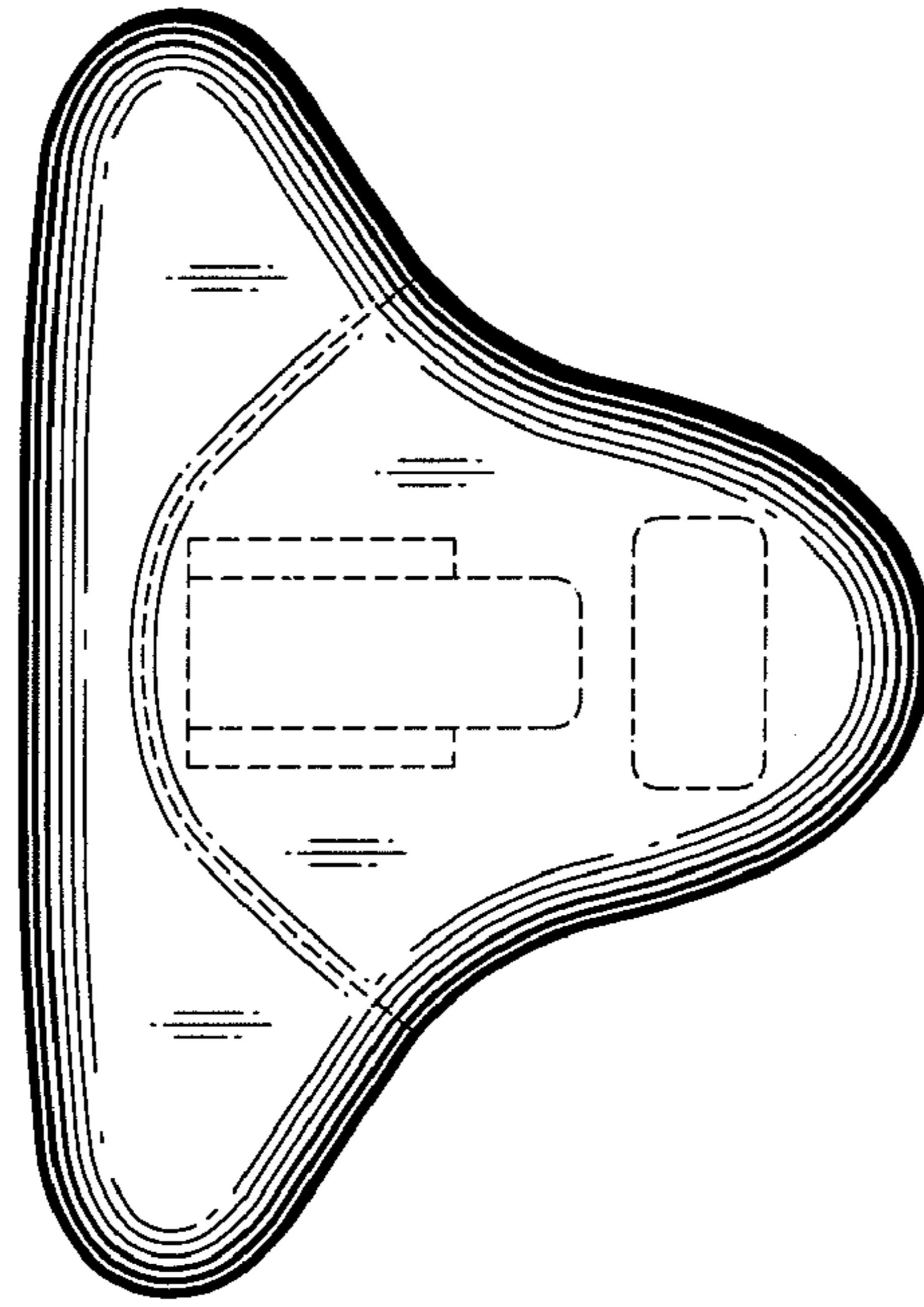


FIG. 2

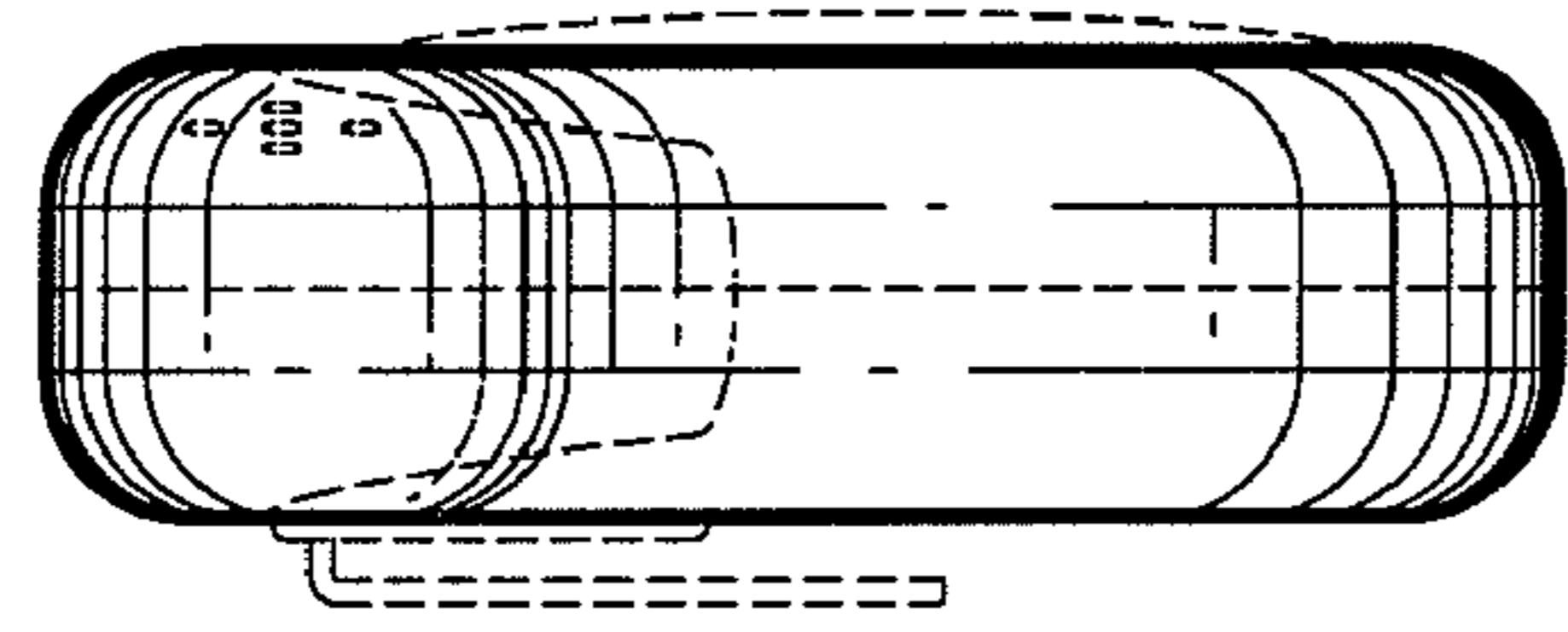


FIG. 3

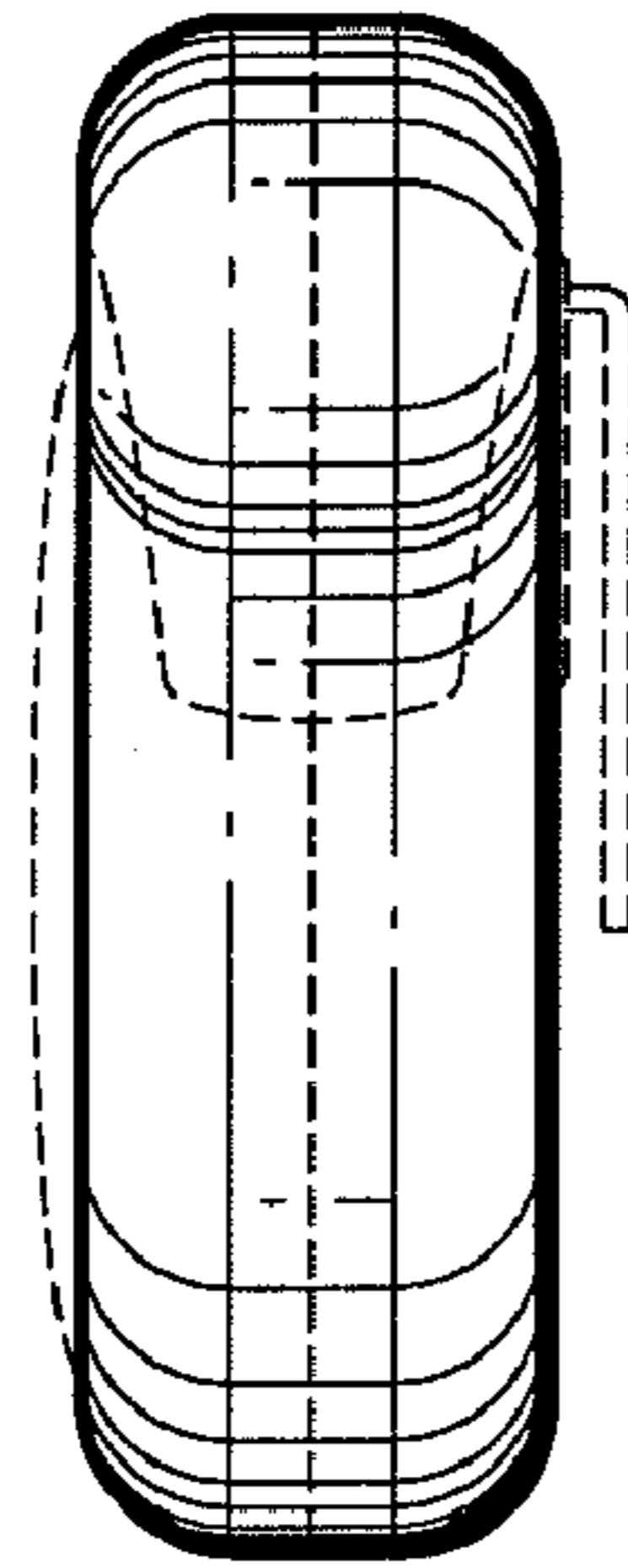


FIG. 4

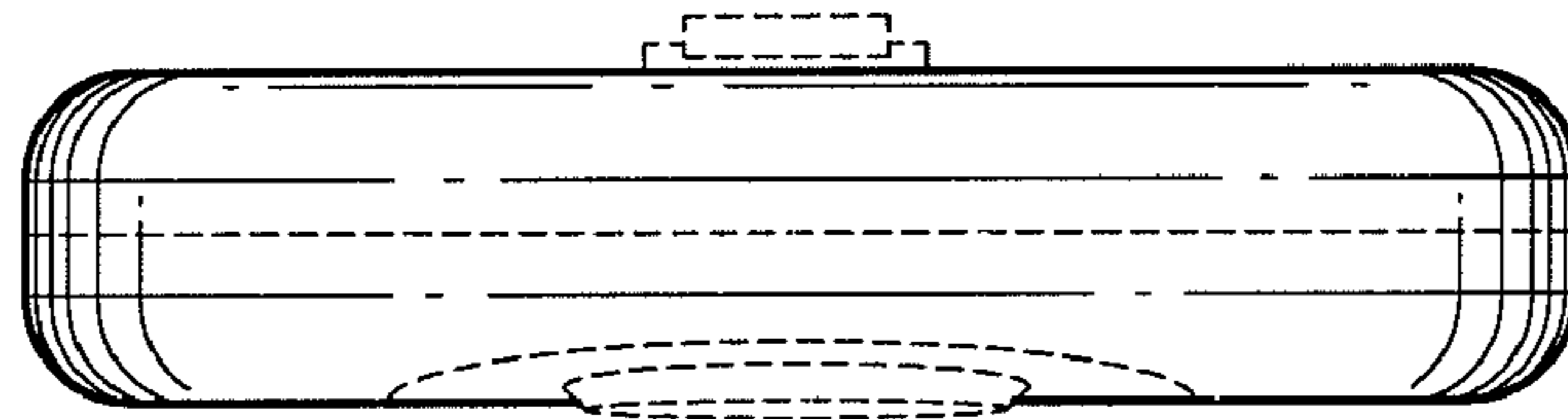


FIG. 5

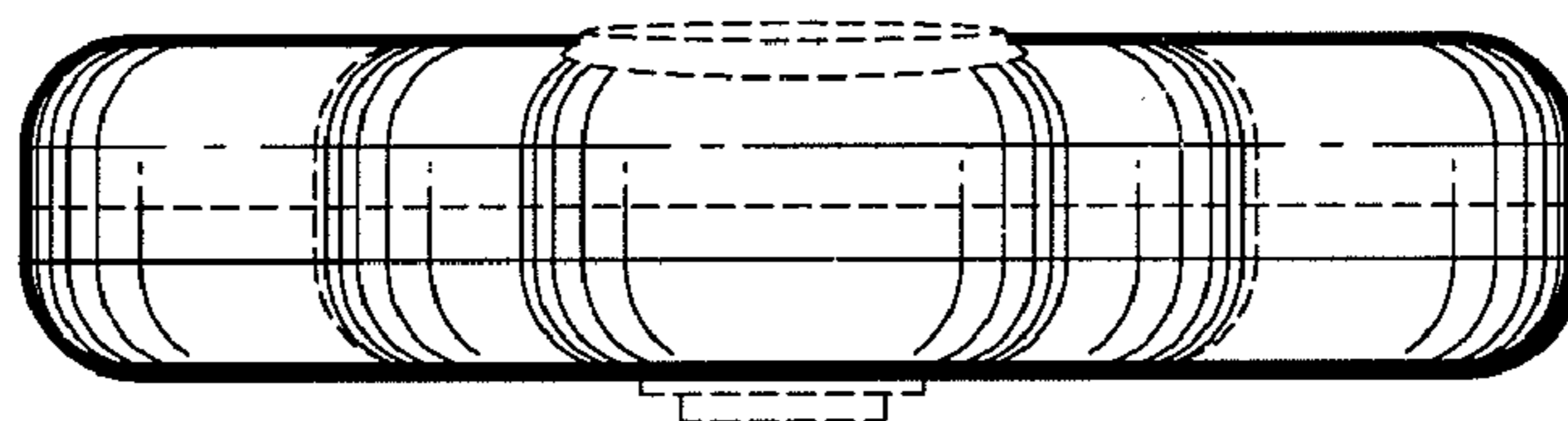


FIG. 6