



US00D576154S

(12) **United States Design Patent**
Ledbetter et al.

(10) **Patent No.:** **US D576,154 S**
(45) **Date of Patent:** **** Sep. 2, 2008**

(54) **PAIR OF EAR PHONES**

(75) Inventors: **Carl J. Ledbetter**, Mercer Island, WA (US); **John Ikeda**, Seattle, WA (US); **Saro Nalbandian**, Athens (GR)

(73) Assignee: **Microsoft Corporation**, Redmond, WA (US)

(**) Term: **14 Years**

(21) Appl. No.: **29/283,841**

(22) Filed: **Aug. 24, 2007**

(51) **LOC (8) Cl.** **14-01**

(52) **U.S. Cl.** **D14/223**

(58) **Field of Classification Search** D14/205–206, D14/223, 142, 168, 188, 192, 249; 181/129–130, 181/135; 379/430, 431, 420, 420.02, 420.04; 381/322, 328, 324, 370, 371, 373, 374, 375, 381/380, 381, 360; 455/550.1, 569.1, 575.1
See application file for complete search history.

(56) **References Cited**

U.S. PATENT DOCUMENTS

4,588,867	A *	5/1986	Konomi	379/430
5,363,444	A *	11/1994	Norris	379/430
5,373,555	A *	12/1994	Norris et al.	379/430
6,574,345	B1 *	6/2003	Huang	381/380
6,731,772	B1 *	5/2004	Byun	381/380
D523,846	S *	6/2006	Lee	D14/205
D554,109	S *	10/2007	Ledbetter et al.	D14/223

D555,152	S *	11/2007	Wang	D14/223
D556,741	S *	12/2007	Yeo	D14/223
D564,495	S *	3/2008	Sasaki	D14/205
D566,687	S *	4/2008	Duarte et al.	D14/205
D568,291	S *	5/2008	Andre et al.	D14/205

* cited by examiner

Primary Examiner—Paula Greene

(74) *Attorney, Agent, or Firm*—Banner & Witcoff, Ltd.

(57) **CLAIM**

The ornamental design for pair of ear phones, as shown and described.

DESCRIPTION

FIG. 1 is a front perspective view of a pair of ear phones showing our new design;

FIG. 2 is a front view thereof;

FIG. 3 is a rear view thereof;

FIG. 4 is a lateral view thereof of an ear phone in FIG. 1;

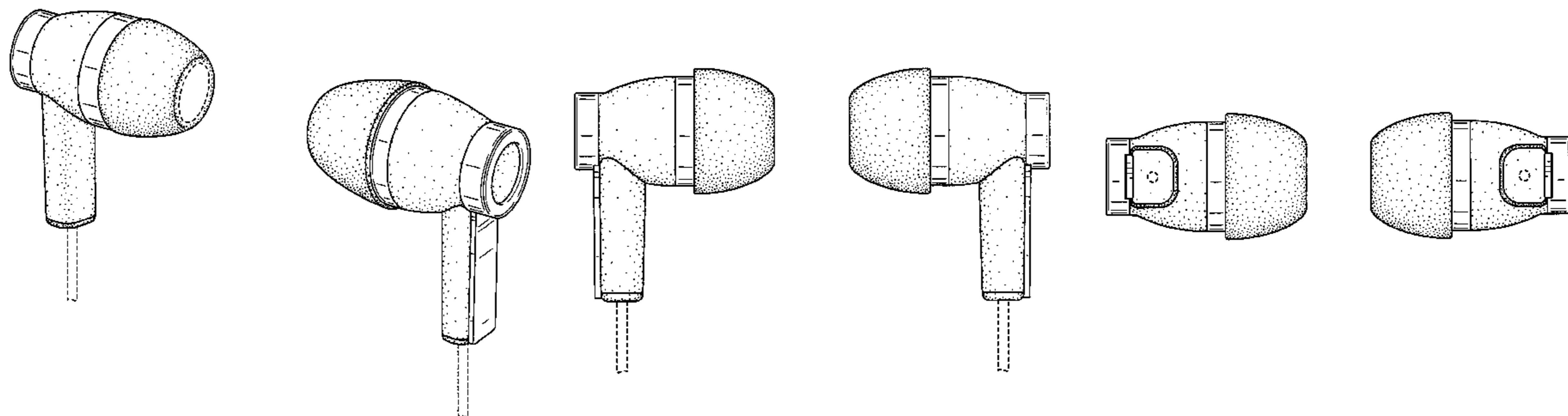
FIG. 5 is a medial view thereof of an ear phone in FIG. 1;

FIG. 6 is a top view thereof of the ear phones in FIG. 1; and,

FIG. 7 is a bottom view thereof.

The difference in shading indicates a contrast of appearance and does not depict any particular color, texture, or material. The broken line showing of various regions in the Figures, including the unshaded areas therein, is for illustrative purposes only and forms no part of the claimed design.

1 Claim, 3 Drawing Sheets



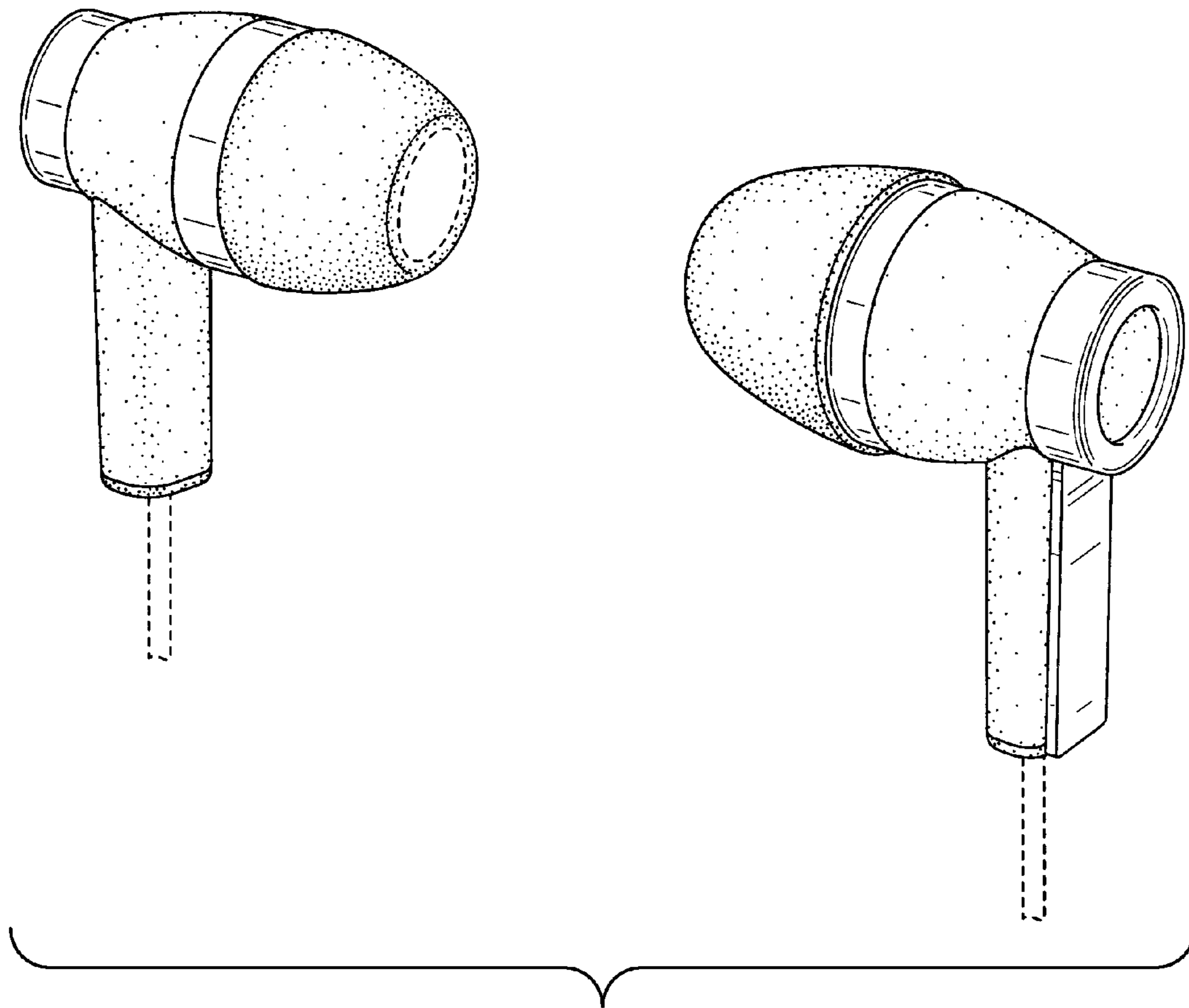


FIG. 1

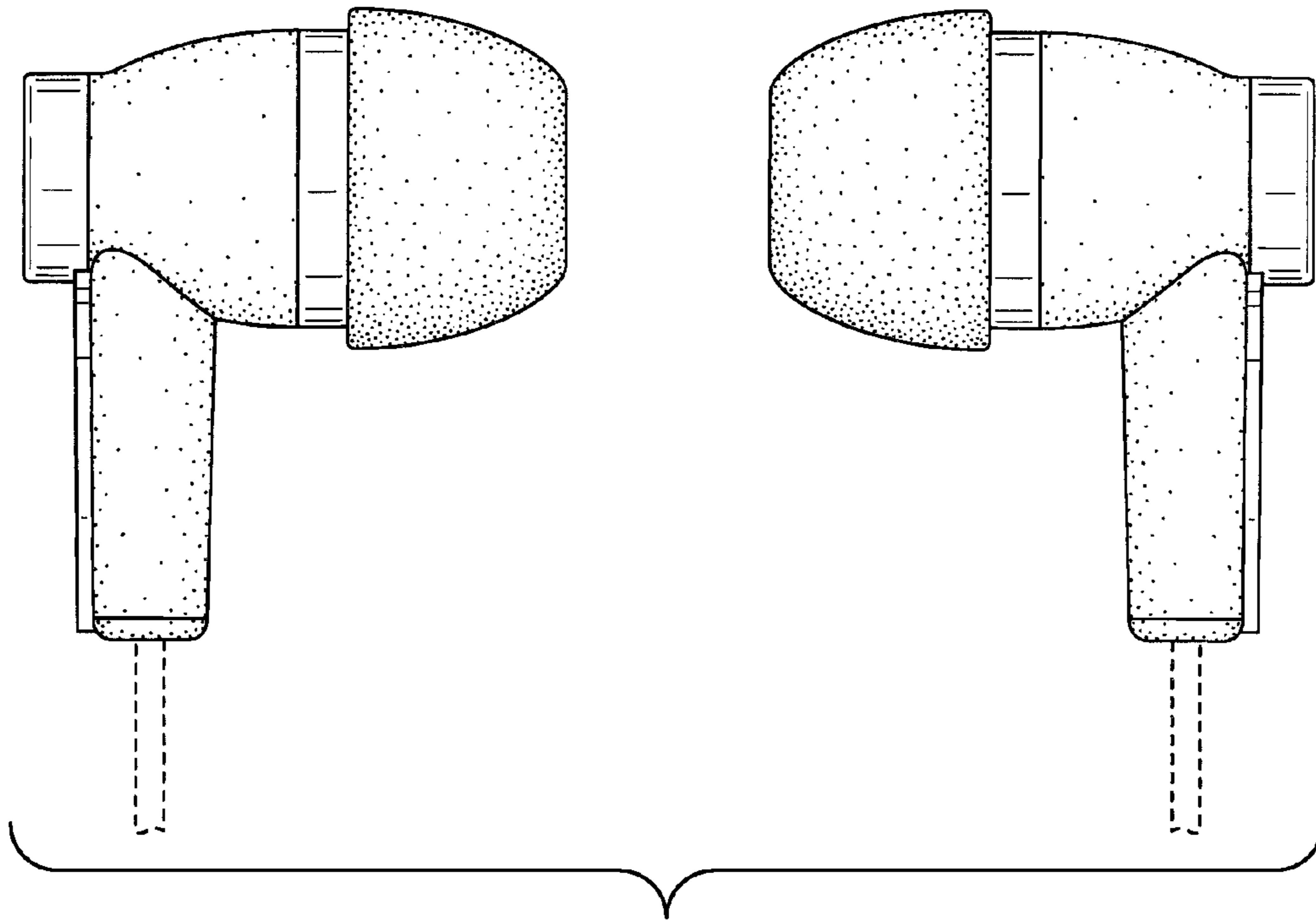


FIG. 2

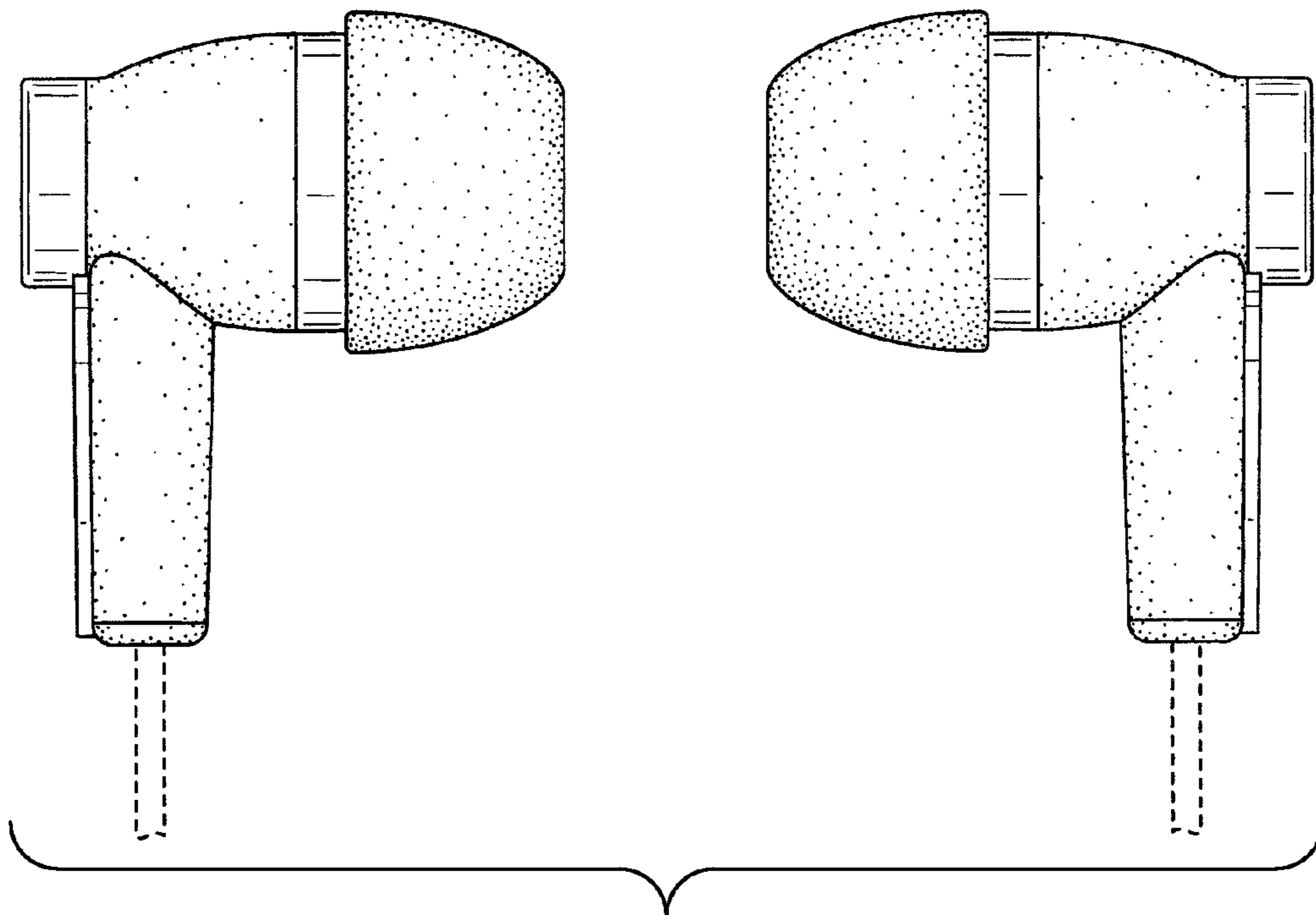


FIG. 3

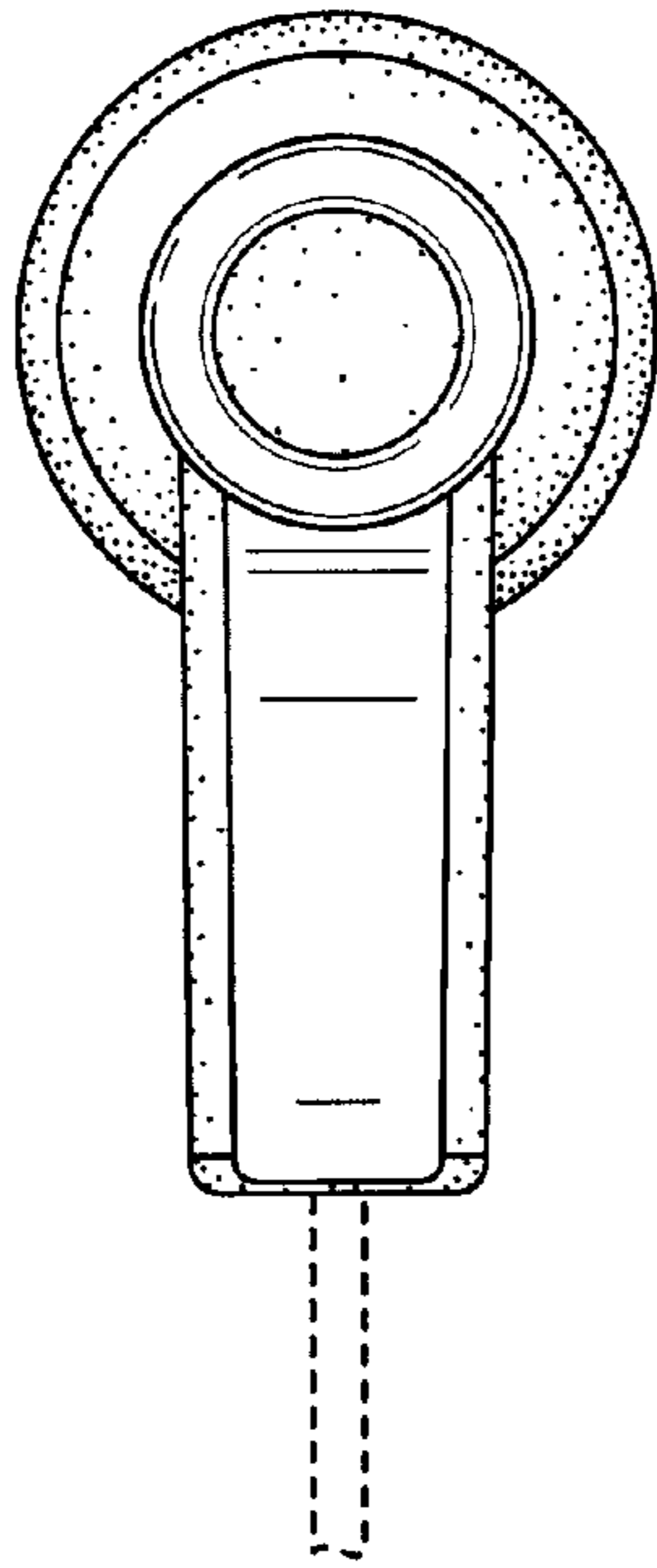


FIG. 4

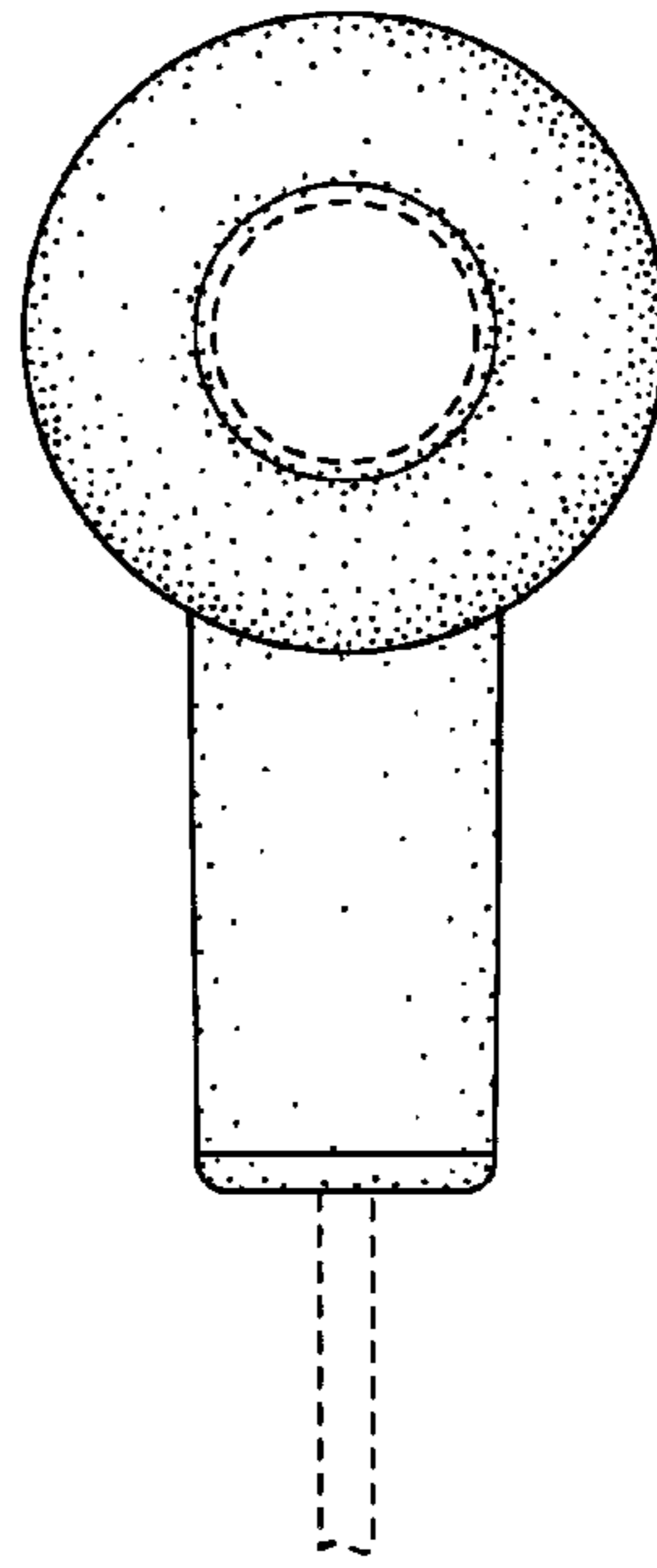


FIG. 5

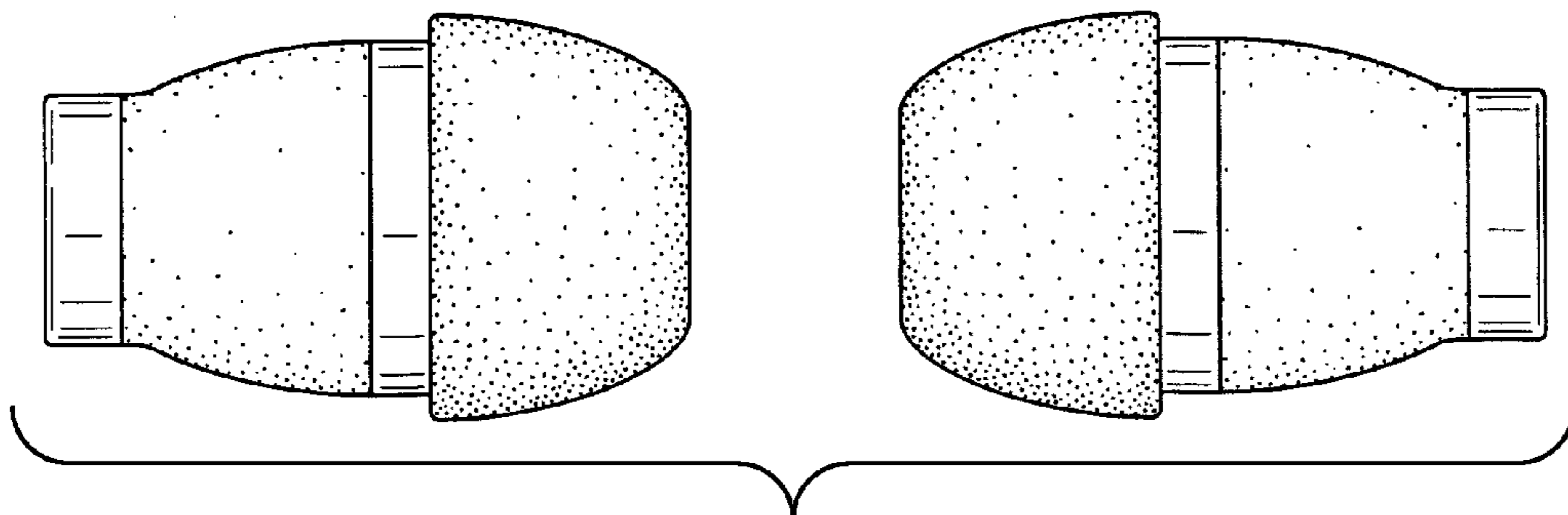


FIG. 6

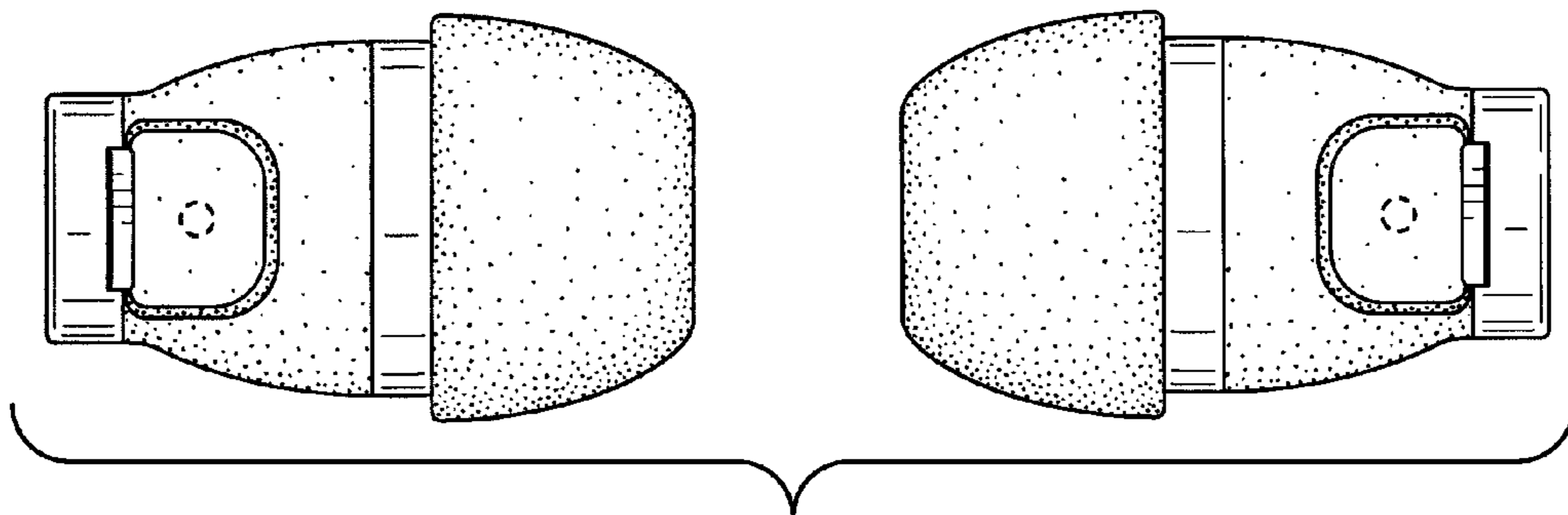


FIG. 7