



US00D576153S

(12) **United States Design Patent**
Sei

(10) **Patent No.:** **US D576,153 S**
(45) **Date of Patent:** **** Sep. 2, 2008**

(54) **LOUDSPEAKER FOR VEHICLE**

(75) Inventor: **Kazufumi Sei**, Tokyo (JP)

(73) Assignee: **Victor Company of Japan, Limited**,
Yokohama-Shi (JP)

(**) Term: **14 Years**

(21) Appl. No.: **29/274,957**

(22) Filed: **Jun. 12, 2007**

(30) **Foreign Application Priority Data**

Dec. 19, 2006 (JP) D2006-034789

(51) **LOC (8) Cl.** **14-01**

(52) **U.S. Cl.** **D14/216**

(58) **Field of Classification Search** D14/204,
D14/209-216, 219-220; 181/143-144, 147-148,
181/150, 157, 198-199, 151, 153; 381/300-302,
381/306, 333, 345, 361-364, 386-388, 332,
381/336

See application file for complete search history.

(56) **References Cited**

U.S. PATENT DOCUMENTS

D188,542 S * 8/1960 Levy et al. D14/216
D280,818 S * 10/1985 Clover, Jr. D14/215

4,672,675 A * 6/1987 Powell et al. 381/186
6,282,297 B1 * 8/2001 Lin 381/386
D497,901 S * 11/2004 Farinelli D14/216
D531,987 S * 11/2006 Dayan D14/215

* cited by examiner

Primary Examiner—Nanda Bondade

(74) *Attorney, Agent, or Firm*—Nath Law Group; Jerald L.
Meyer; Derek Richmond

(57) **CLAIM**

The ornamental design for a loudspeaker for vehicle, as
shown and described.

DESCRIPTION

FIG. 1 is a perspective view of a loudspeaker for vehicle;

FIG. 2 is a front view thereof;

FIG. 3 is a rear view thereof;

FIG. 4 is a left side view thereof;

FIG. 5 is a right side view thereof;

FIG. 6 is a top plan view thereof; and,

FIG. 7 is a bottom plan view thereof.

The broken lines showing on the drawing disclosure are for
illustrative purposes only and form no part of the claimed
design.

1 Claim, 6 Drawing Sheets

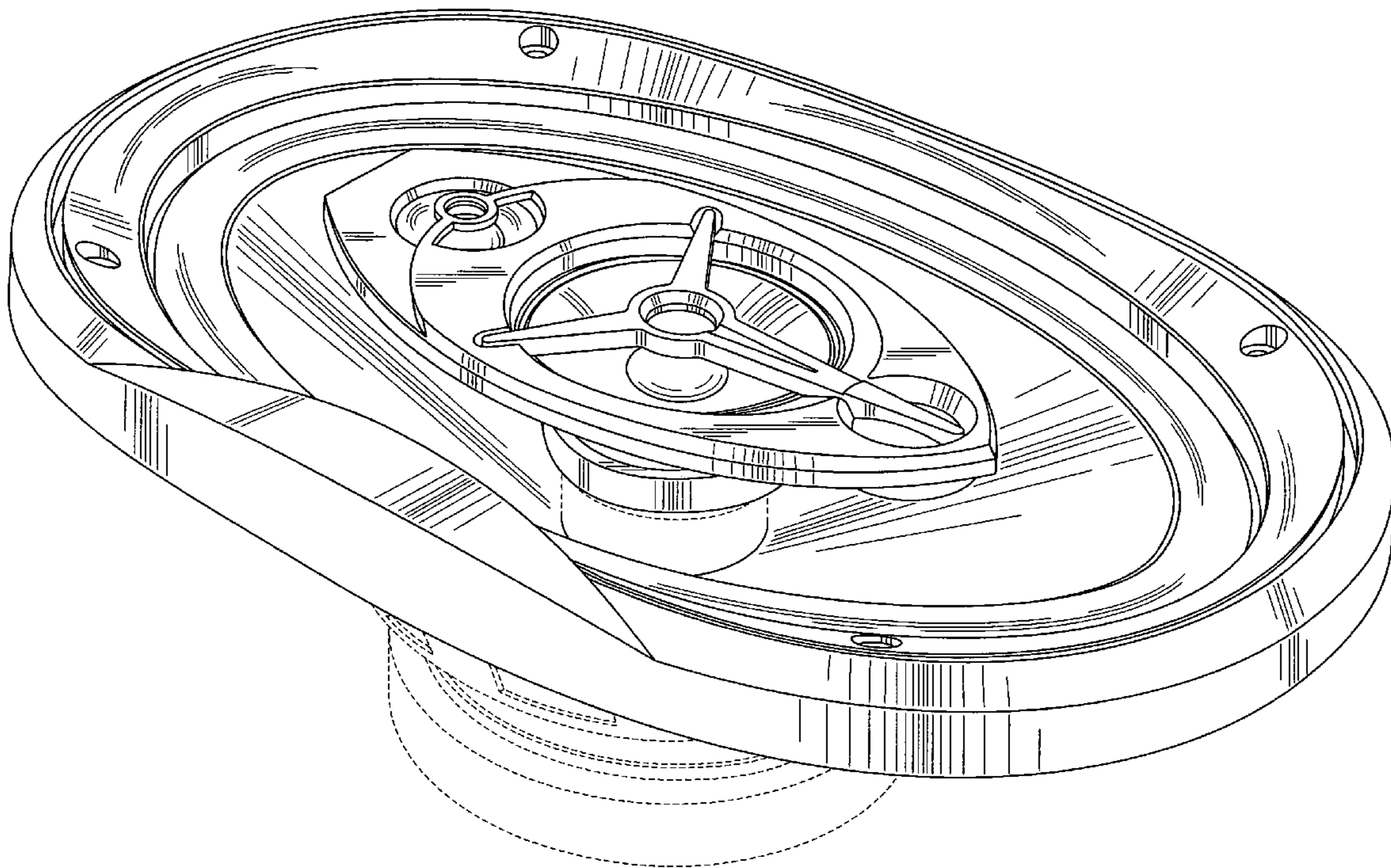


Fig.1

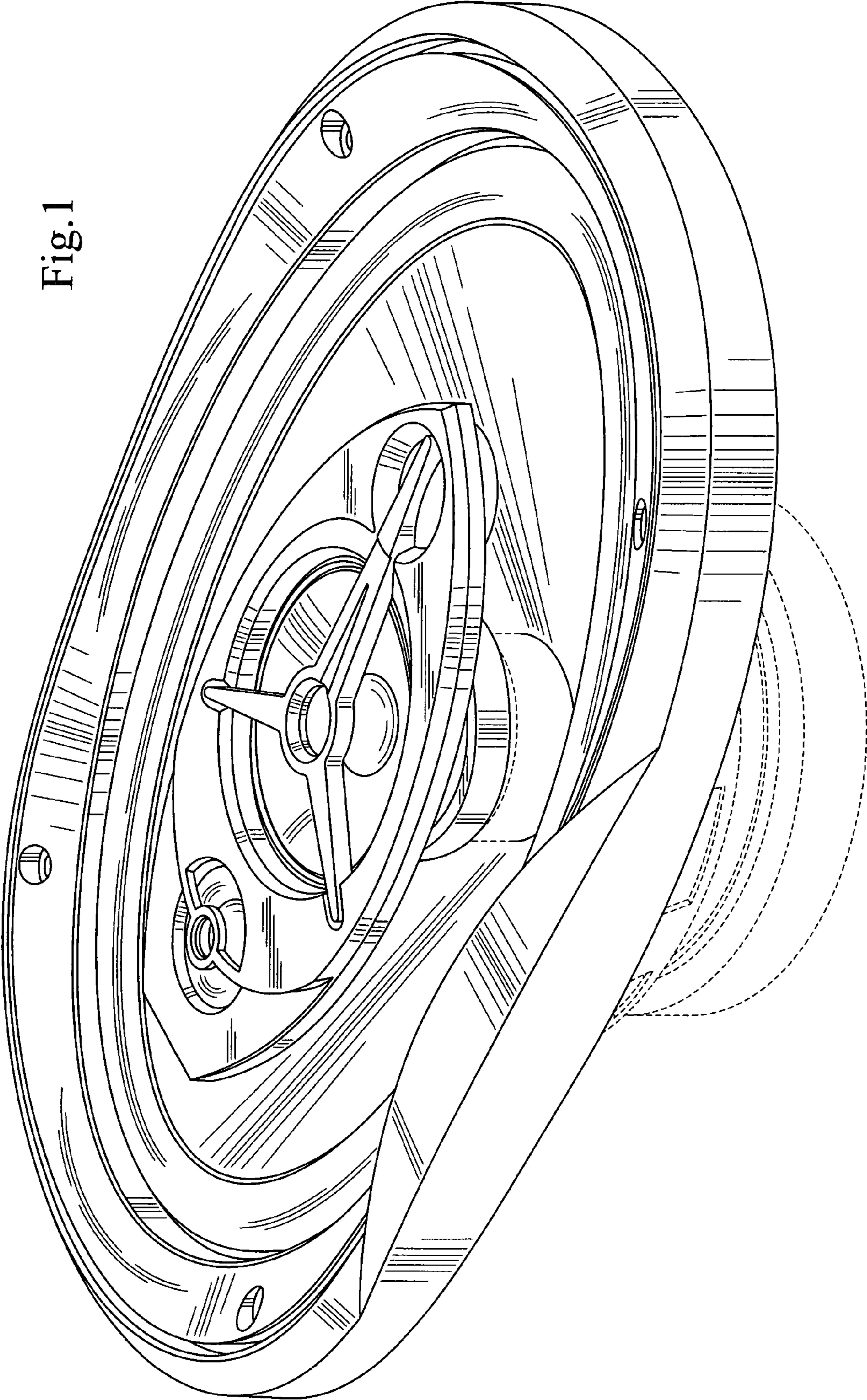


Fig.2

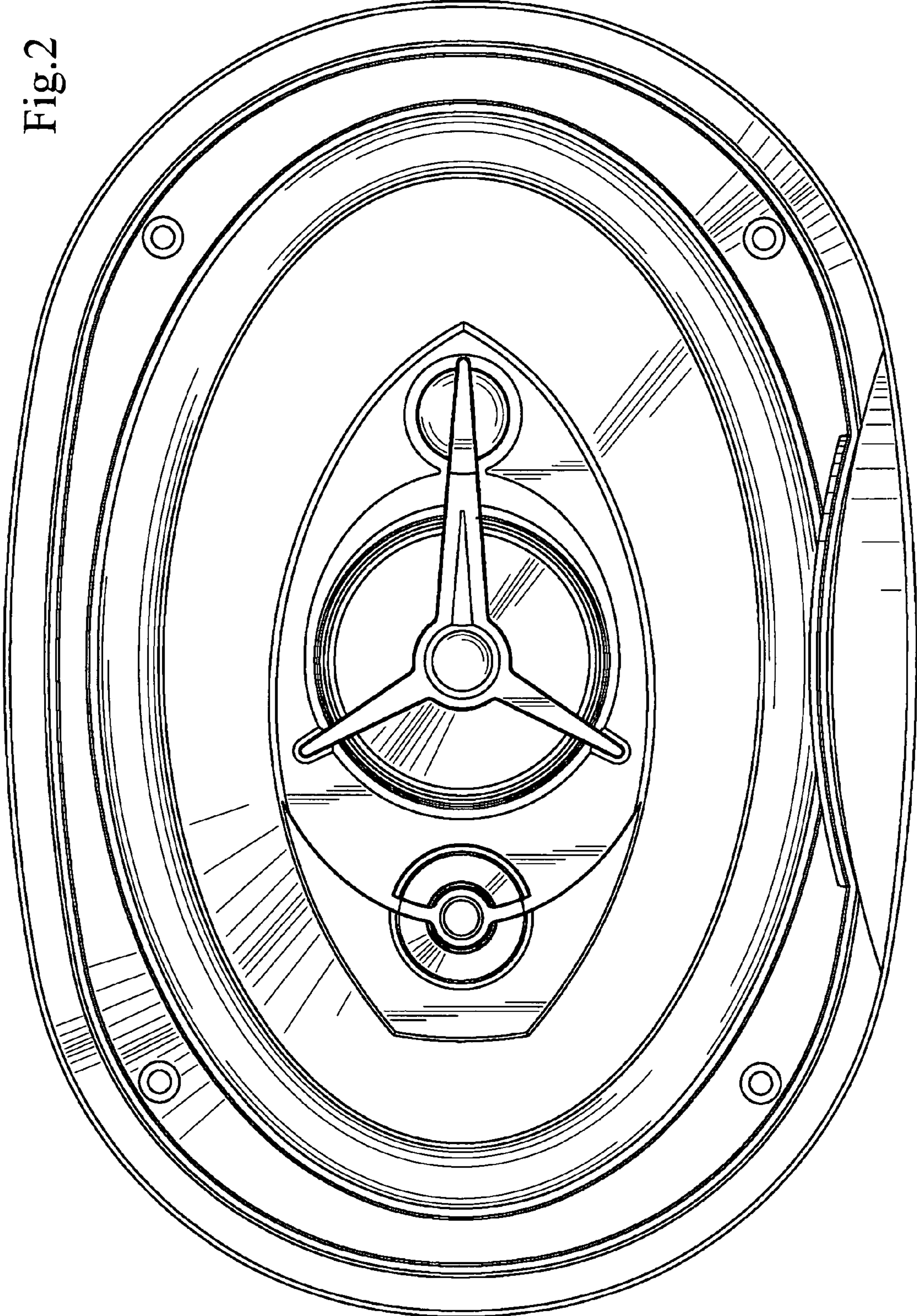
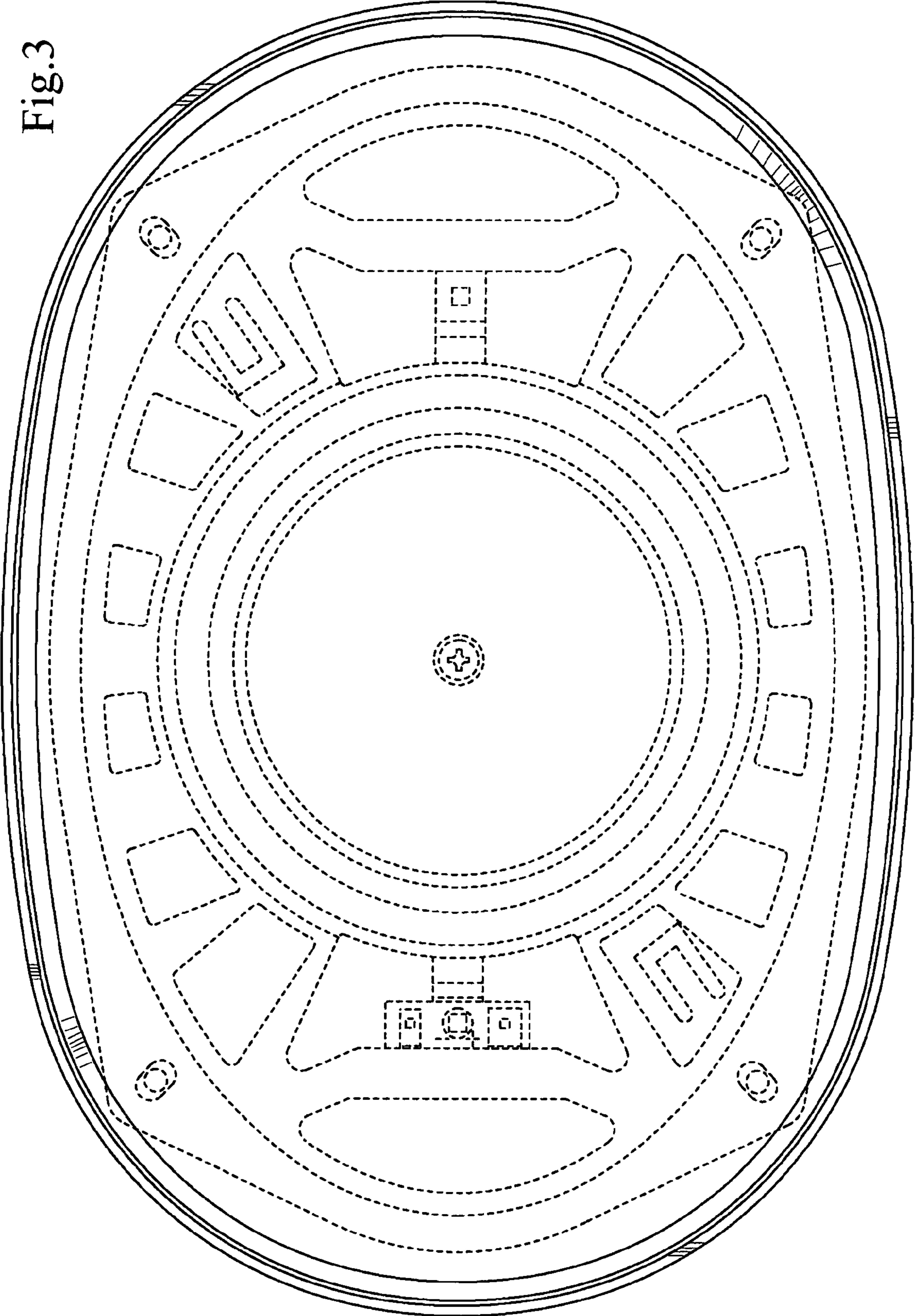


Fig.3



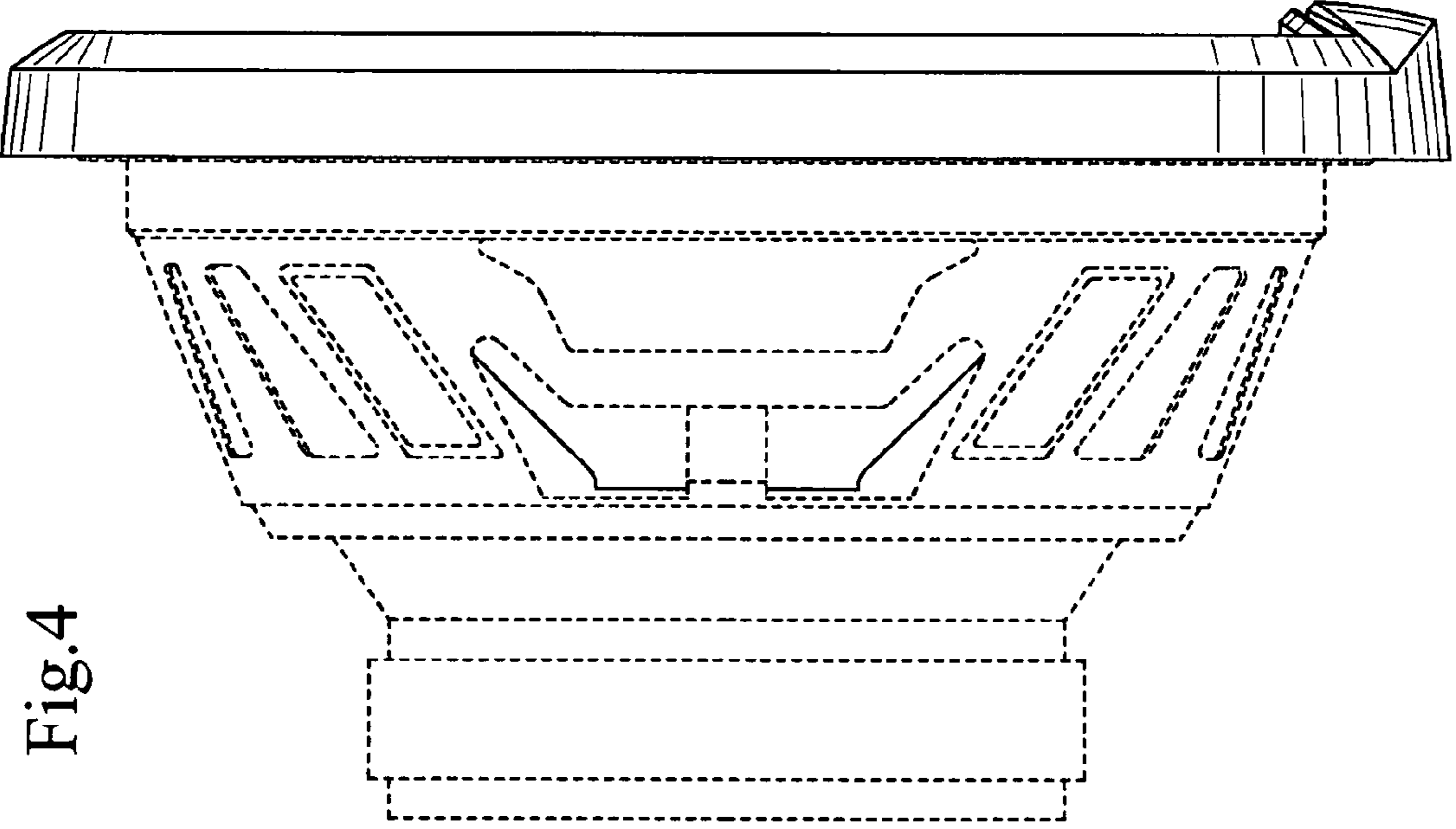
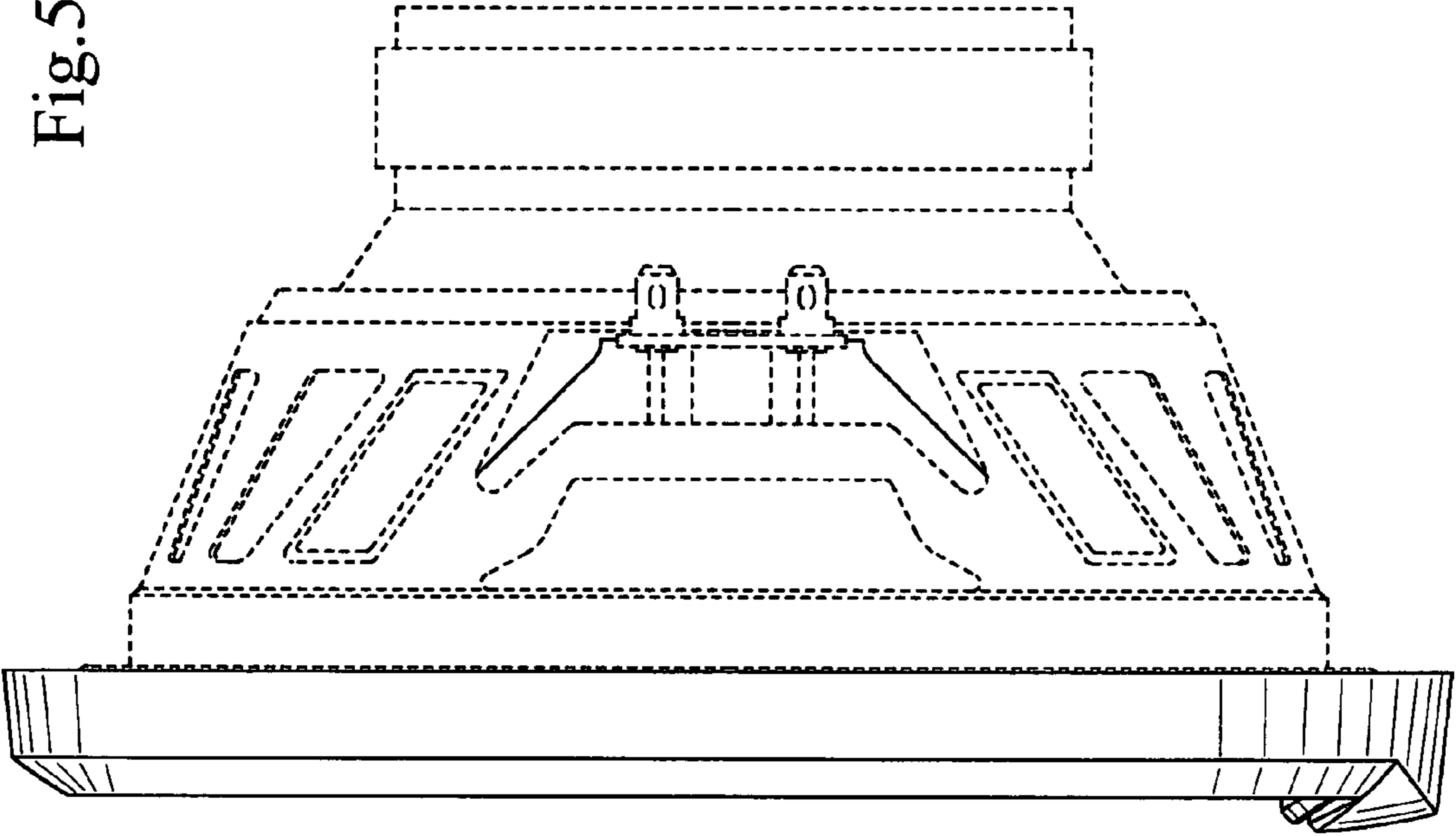


Fig.6

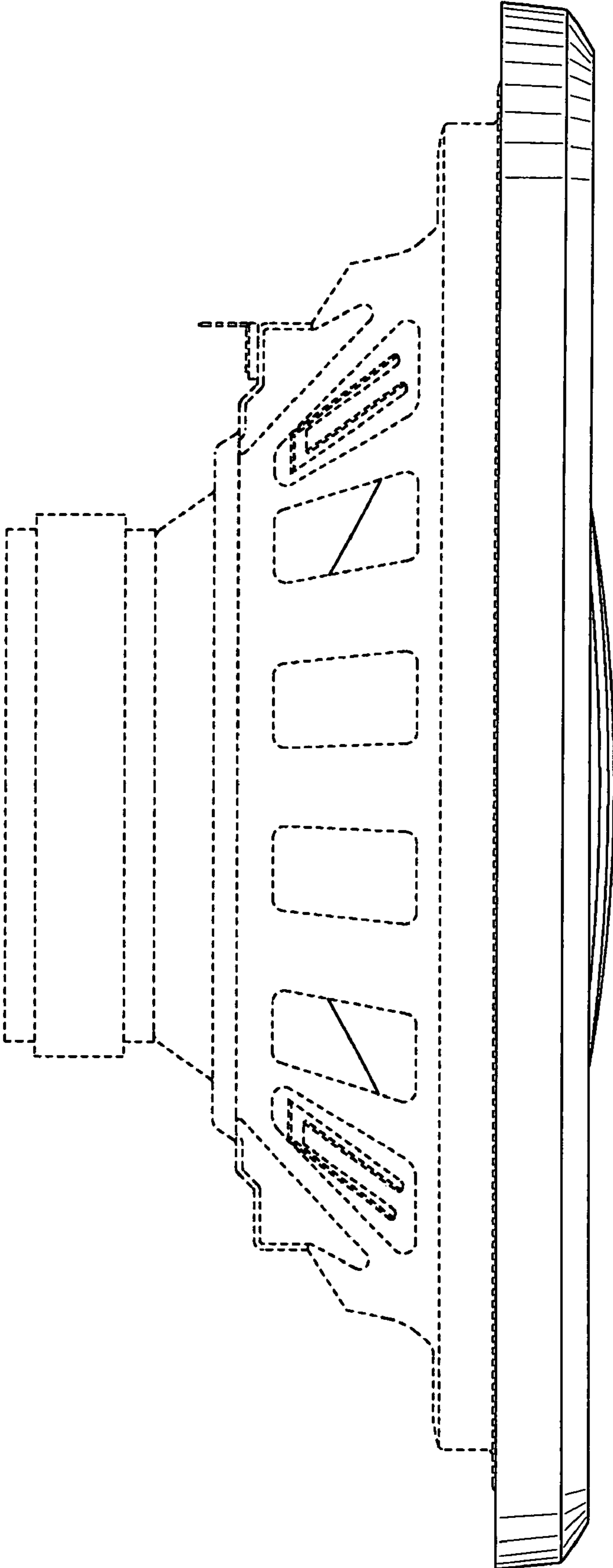


Fig.7

