



US00D576150S

(12) **United States Design Patent**  
**Lim et al.**

(10) **Patent No.:** **US D576,150 S**  
(45) **Date of Patent:** **\*\* Sep. 2, 2008**

(54) **LOUDSPEAKER**

D507,790 S \* 7/2005 Dayan ..... D14/215  
D540,779 S \* 4/2007 Joseph ..... D14/211

(75) Inventors: **Kian Choon Janie Lim**, Singapore (SG); **Jeng Khim Tan**, Singapore (SG); **Chien Mei Linda Ang**, Singapore (SG); **Hui Ling Gan**, Singapore (SG); **Soo Beng Damien Khoo**, Singapore (SG)

\* cited by examiner

*Primary Examiner*—Nanda Bondade

(74) *Attorney, Agent, or Firm*—Kennedy Koblin

(73) Assignee: **Creative Technology Ltd**, Singapore (SG)

(57) **CLAIM**

(\*\*) Term: **14 Years**

The ornamental design for a loudspeaker, substantially as shown and described.

(21) Appl. No.: **29/289,087**

(22) Filed: **Jul. 6, 2007**

**DESCRIPTION**

(51) **LOC (8) Cl.** ..... **14-01**

(52) **U.S. Cl.** ..... **D14/211; D14/215**

(58) **Field of Classification Search** ..... D14/204, D14/209–216; 181/143–144, 147–148, 150, 181/157, 198–199, 151, 153; 381/300–302, 381/306, 333, 345, 361–364, 386–388, 332, 381/336; 369/1, 6–12

FIG. 1 is a perspective view of a loudspeaker in accordance with the present design;

FIG. 2 is a front view of the loudspeaker shown in FIG. 1;

FIG. 3 is a rear view of the loudspeaker shown in FIG. 1;

FIG. 4 is a right side view of the loudspeaker shown in FIG. 1;

FIG. 5 is a left side view of the loudspeaker shown in FIG. 1;

FIG. 6 is a top view of the loudspeaker shown in FIG. 1; and,

FIG. 7 is a bottom view of the loudspeaker shown in FIG. 1.

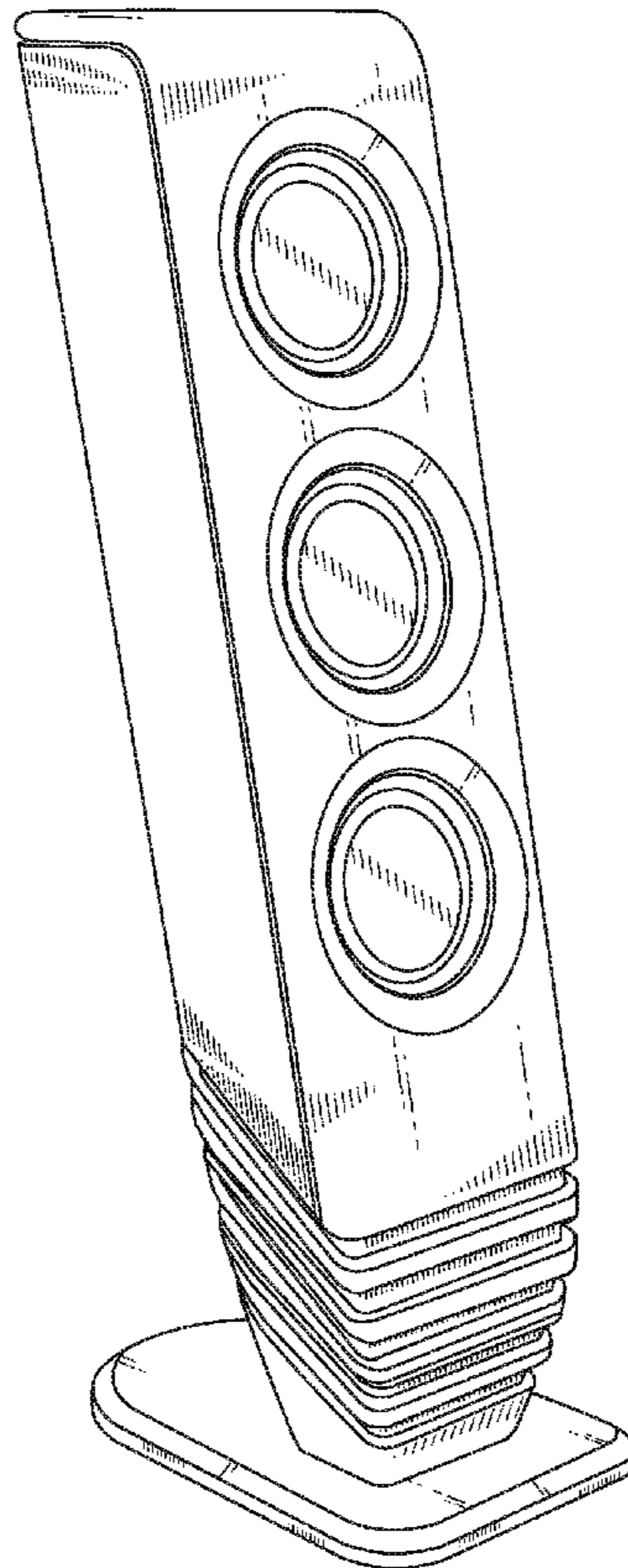
See application file for complete search history.

(56) **References Cited**

**U.S. PATENT DOCUMENTS**

D265,990 S \* 8/1982 Hartwein et al. .... D14/214

**1 Claim, 3 Drawing Sheets**



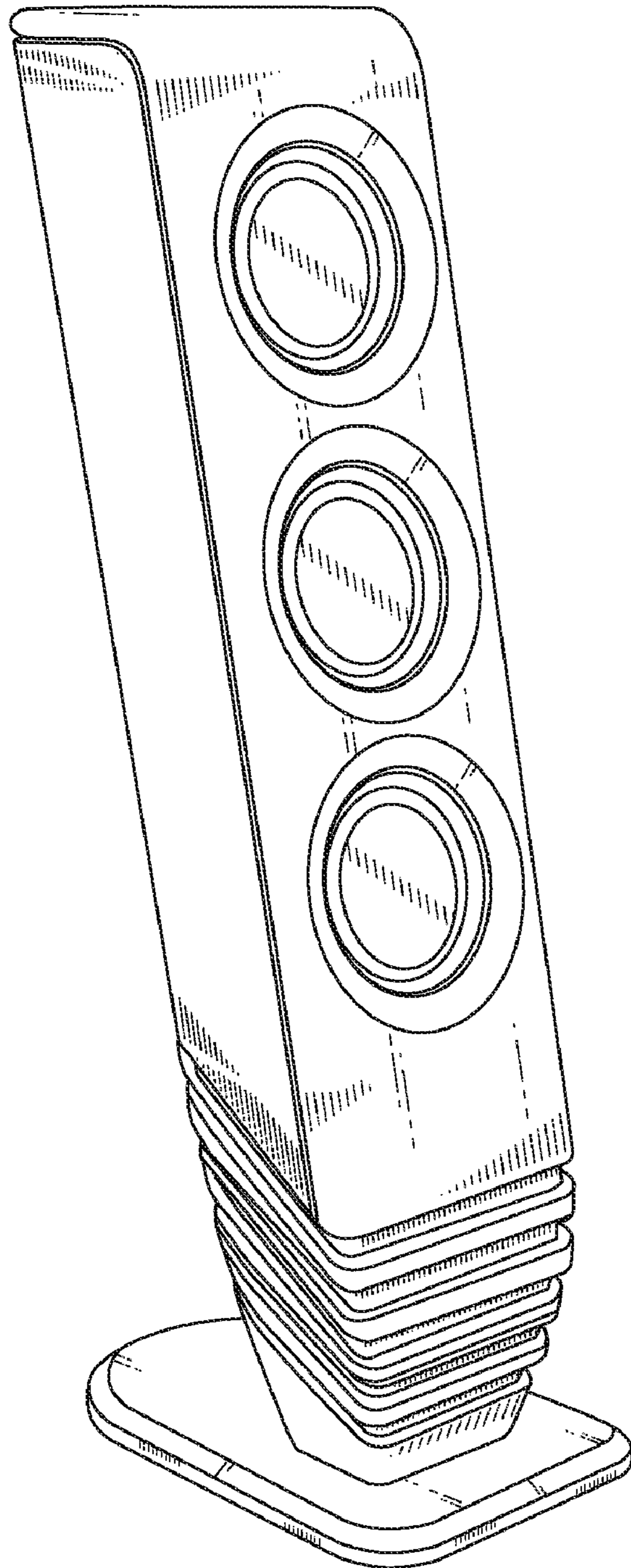


FIG. 1

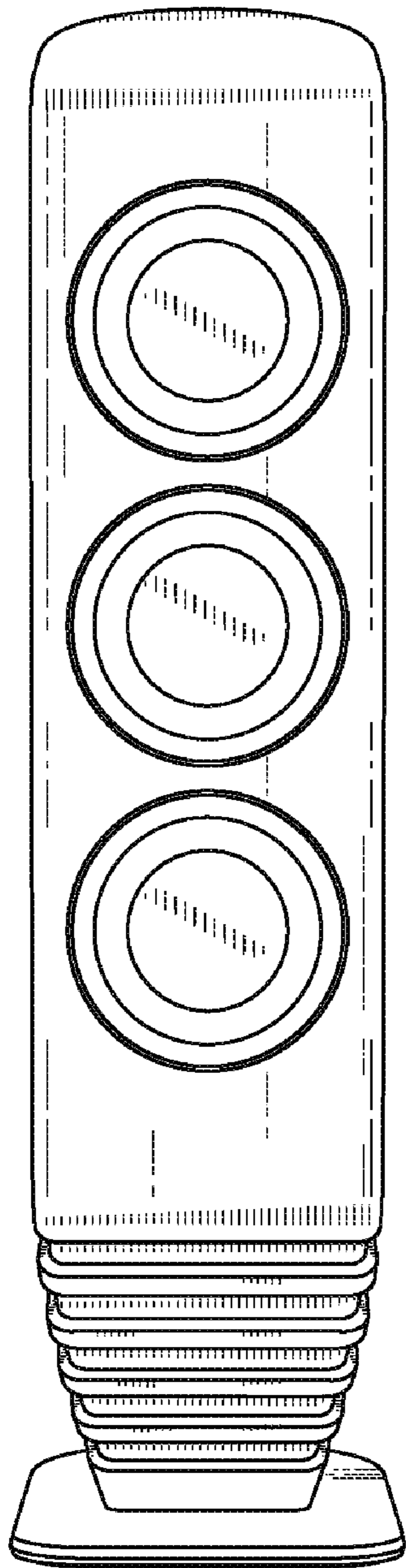


FIG. 2

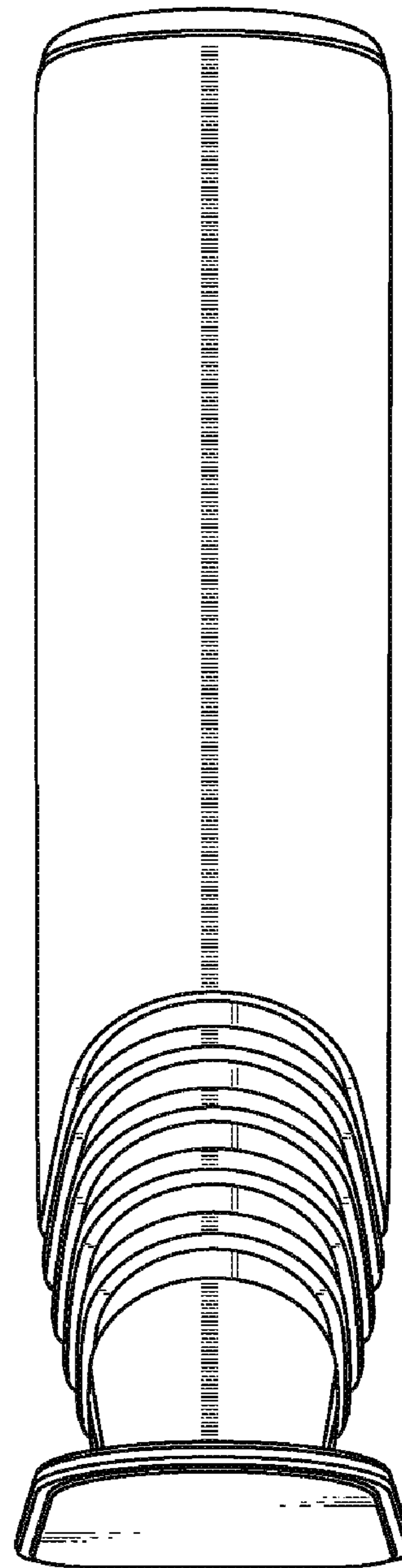


FIG. 3

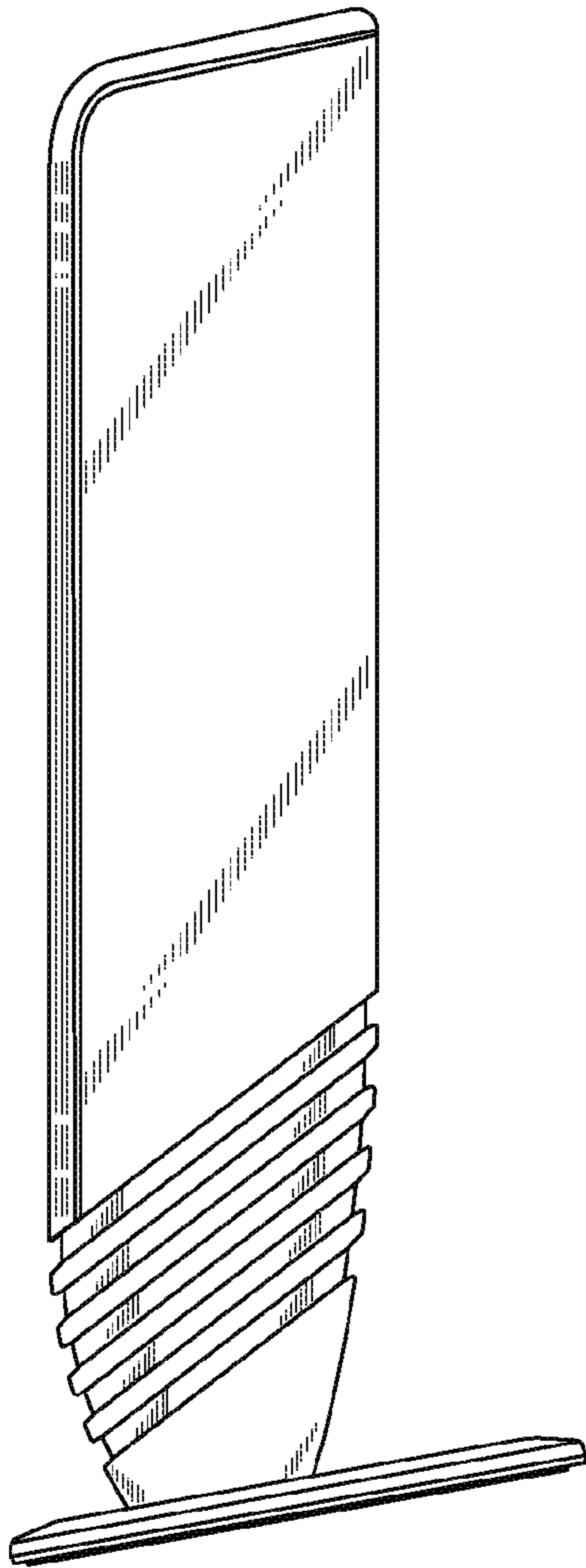


FIG. 4

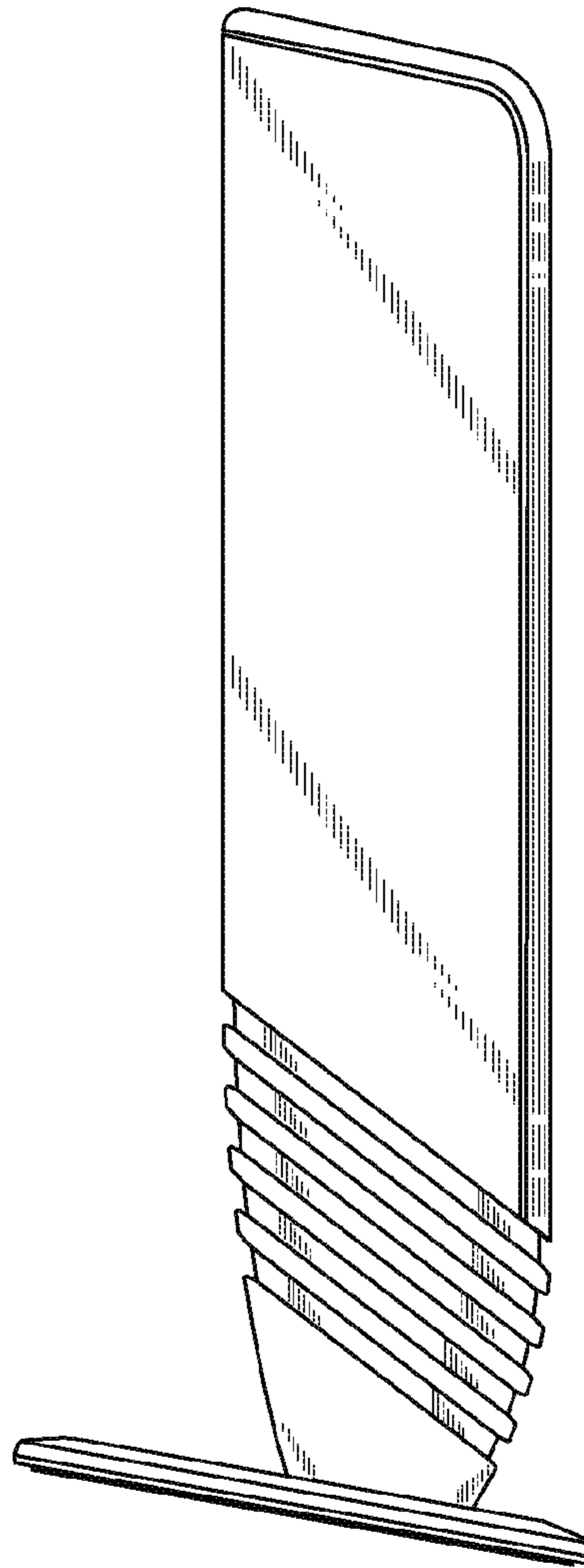


FIG. 5

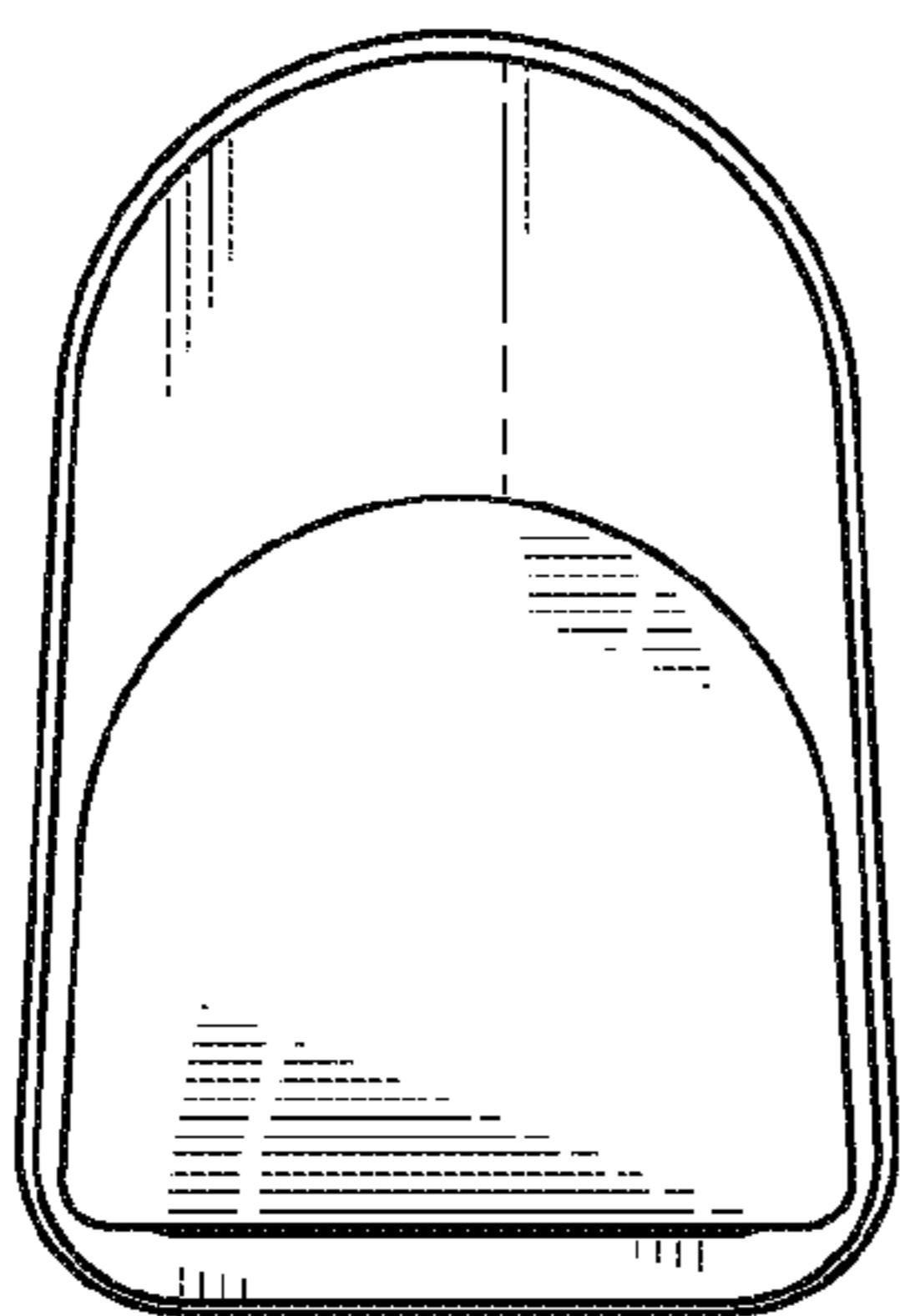


FIG. 6

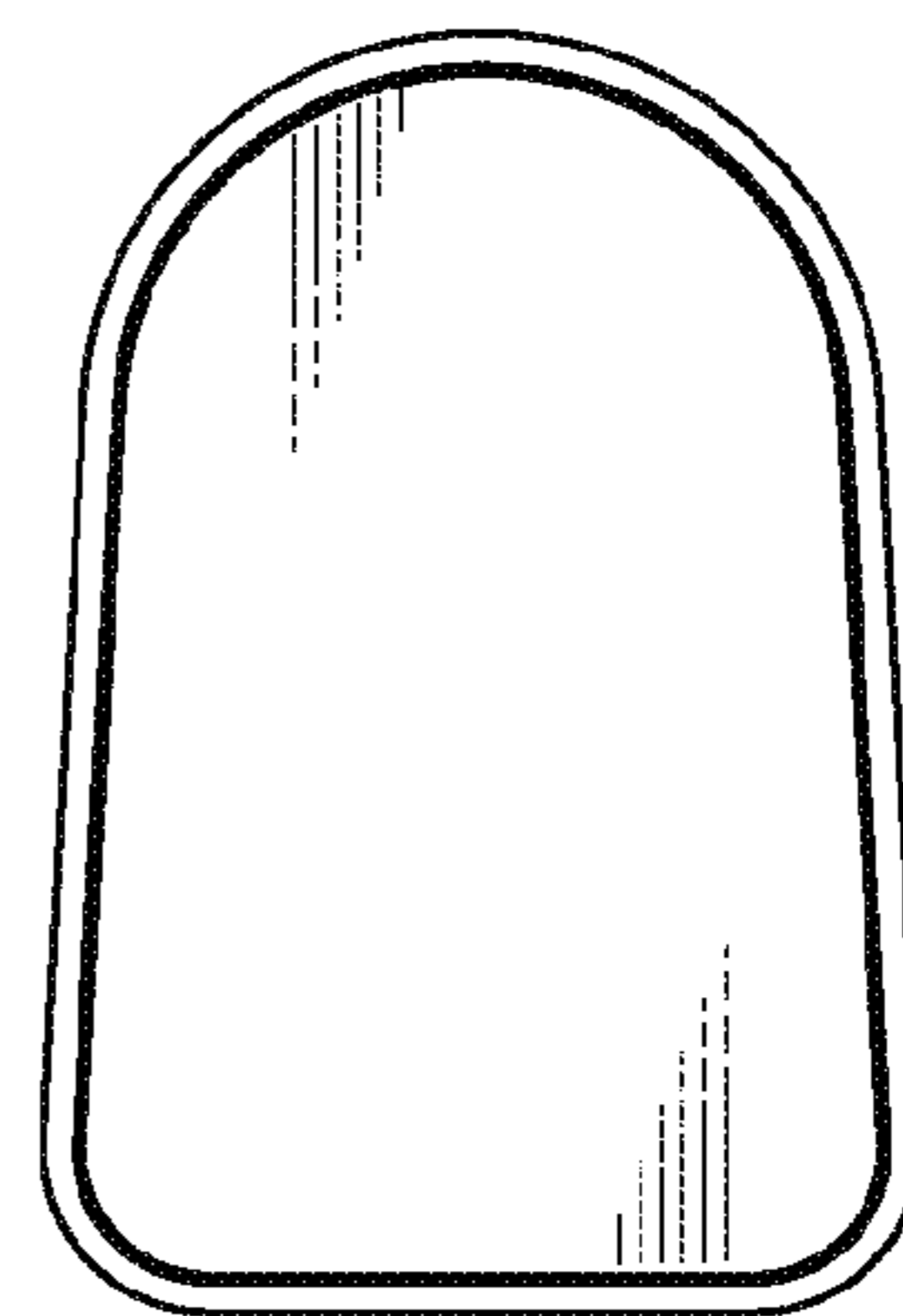


FIG. 7