



US00D576141S

(12) **United States Design Patent**
Moon et al.

(10) **Patent No.:** **US D576,141 S**
(45) **Date of Patent:** **** Sep. 2, 2008**

(54) **CELLULAR PHONE**

(75) Inventors: **Jae-Hwa Moon**, Seoul (KR);
Seung-Min Park, Seoul (KR);
Jong-Seong Lee, Incheon-si (KR);
Chang-Hwan Hwang, Goyang-si (KR)

(73) Assignee: **Samsung Electronics Co., Ltd.**,
Suwon-Si (KR)

(**) Term: **14 Years**

(21) Appl. No.: **29/287,894**

(22) Filed: **Sep. 28, 2007**

(51) **LOC (8) Cl.** **14-03**

(52) **U.S. Cl.** **D14/138**

(58) **Field of Classification Search** D14/137,
D14/138, 147, 191, 218, 247-248, 341-347,
D14/496; D10/65, 78, 104; D13/168; D18/7;
455/556.1, 575.1, 575.3, 575.4; 345/169
See application file for complete search history.

(56) **References Cited**

U.S. PATENT DOCUMENTS

| | | | | |
|--------------|---------|---------------|-------|---------|
| D496,645 S * | 9/2004 | Yoo et al. | | D14/138 |
| D528,094 S * | 9/2006 | Hwang | | D14/138 |
| D530,295 S * | 10/2006 | Chung et al. | | D14/138 |
| D533,564 S * | 12/2006 | Kim | | D14/496 |
| D534,516 S * | 1/2007 | Lheem | | D14/138 |
| D535,275 S * | 1/2007 | Kim et al. | | D14/138 |
| D538,773 S * | 3/2007 | Joung | | D14/138 |
| D539,306 S * | 3/2007 | Naruki | | D14/496 |
| D545,814 S * | 7/2007 | Wilson et al. | | D14/248 |
| D547,743 S * | 7/2007 | Kim et al. | | D14/138 |
| D548,214 S * | 8/2007 | Kim et al. | | D14/138 |
| D548,733 S * | 8/2007 | Johansson | | D14/341 |
| D549,204 S * | 8/2007 | Cho | | D14/138 |
| D549,205 S * | 8/2007 | Cho | | D14/138 |
| D551,201 S * | 9/2007 | Kim et al. | | D14/138 |

(Continued)

FOREIGN PATENT DOCUMENTS

WO DM/068503 * 1/2007

OTHER PUBLICATIONS

Alcatel OT-C825, announced Feb. 2007, [online], [retrieved on Feb. 16, 2007]. Retrieved from Internet ,<URL: http://www.gsmarena.com>.*

LG KU380, announced Nov. 2007, [online], [retrieved on Jan. 18, 2008]. Retrieved from Internet ,<URL: http://www.gsmarena.com>.*

Samsung F250, announced Aug. 2007, [online], [retrieved on Dec. 13, 2007]. Retrieved from Internet ,<URL: http://www.gsmarena.com>.*

Sharp TM100, announced 1st quarter 2004, [online], [retrieved on Feb. 20, 2007]. Retrieved from Internet ,<URL: http://www.gsmarena.com>.*

Primary Examiner—Jeffrey D. Asch

Assistant Examiner—Bridget L Eland

(74) *Attorney, Agent, or Firm*—Staas & Halsey LLP

(57) **CLAIM**

The ornamental design for a cellular phone, as shown and described.

DESCRIPTION

FIG. 1 is a front, top and right side perspective view of a cellular phone according to our new design;

FIG. 2 is a front elevational view thereof;

FIG. 3 is a rear elevational view thereof;

FIG. 4 is a left side elevational view thereof;

FIG. 5 is a right side elevational view thereof;

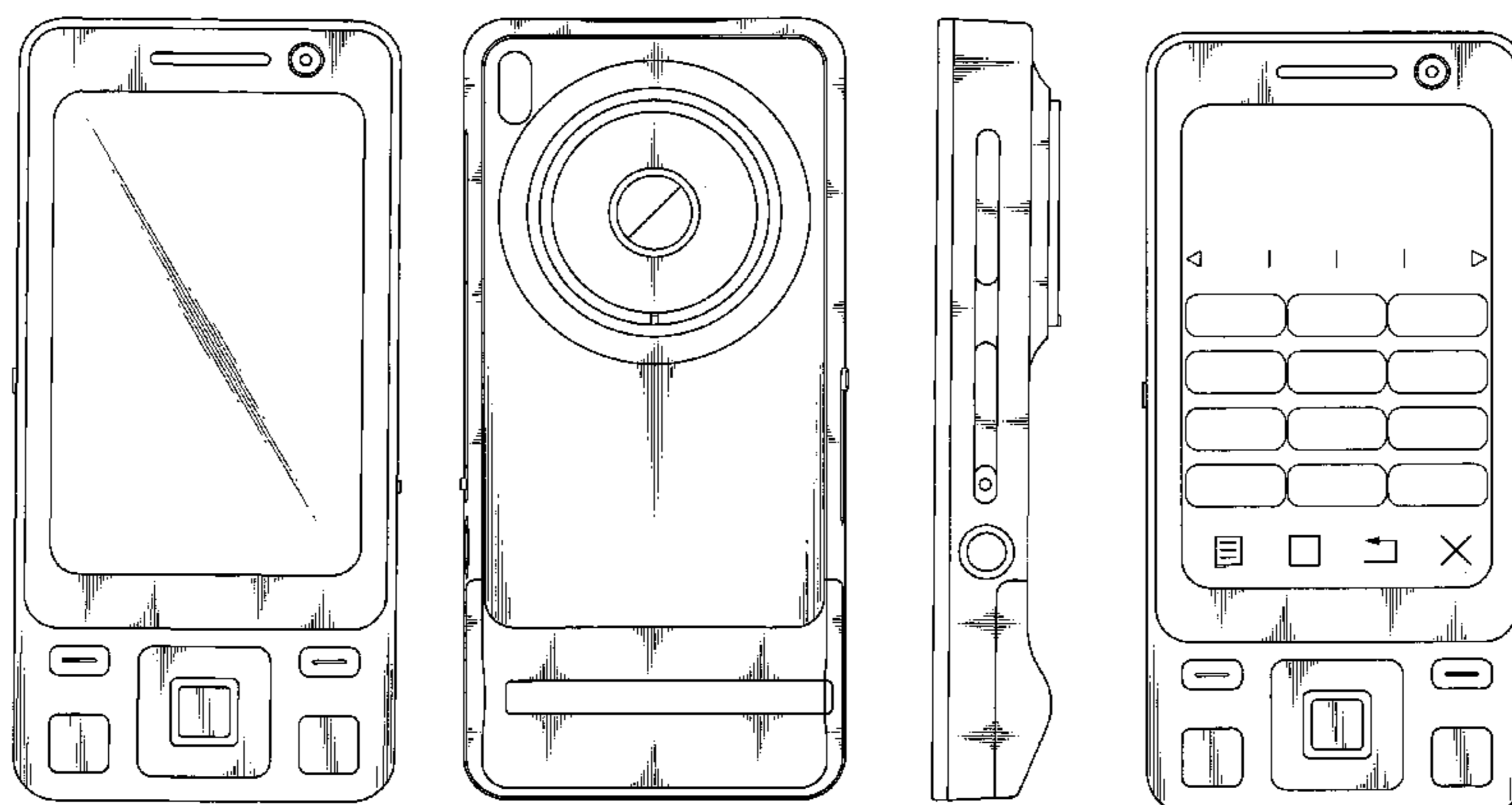
FIG. 6 is a top plan view thereof;

FIG. 7 is a bottom plan view thereof;

FIG. 8 is a rear, top and left side perspective view thereof; and,

FIG. 9 is a front elevational view of the cellular phone according to our new design showing that the input keys of the cellular phone are displayed as the cellular phone is turned on.

1 Claim, 8 Drawing Sheets



US D576,141 S

Page 2

U.S. PATENT DOCUMENTS

| | | | | | | | |
|--------------|--------|-----------------|---------|-------------------|---------|----------------------|-----------|
| D560,635 S * | 1/2008 | Kim et al. | D14/138 | D563,938 S * | 3/2008 | Kim et al. | D14/138 |
| D561,204 S * | 2/2008 | Toh | D14/496 | 2005/0078443 A1 * | 4/2005 | Lee et al. | 361/683 |
| D562,285 S * | 2/2008 | Lim | D14/138 | 2006/0205438 A1 * | 9/2006 | Jung | 455/566 |
| D563,366 S * | 3/2008 | Joo | D14/138 | 2007/0232370 A1 * | 10/2007 | Kim | 455/575.4 |
| D563,368 S * | 3/2008 | Moon | D14/138 | 2007/0293283 A1 * | 12/2007 | Inubushi et al. | 455/575.1 |
| | | | | 2008/0045281 A1 * | 2/2008 | Huang et al. | 455/575.4 |

* cited by examiner

FIG. 1

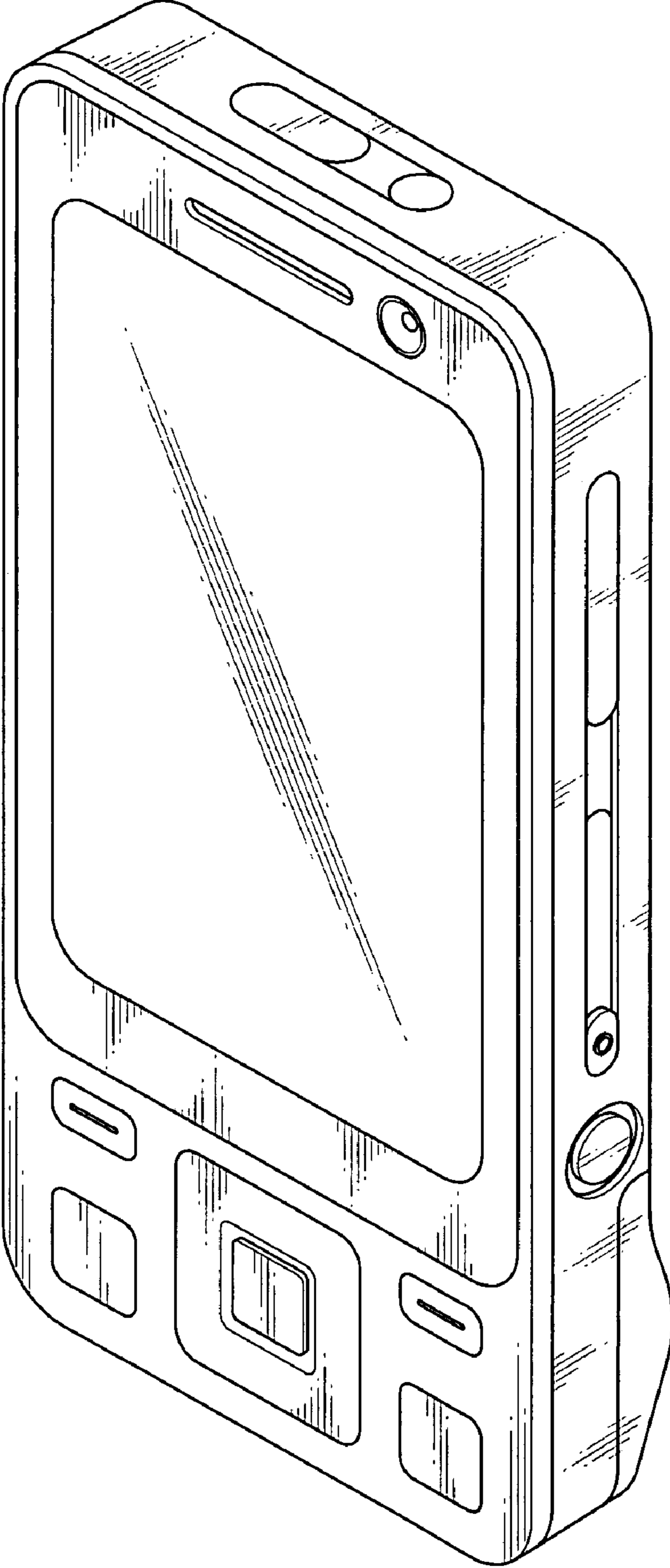


FIG.2

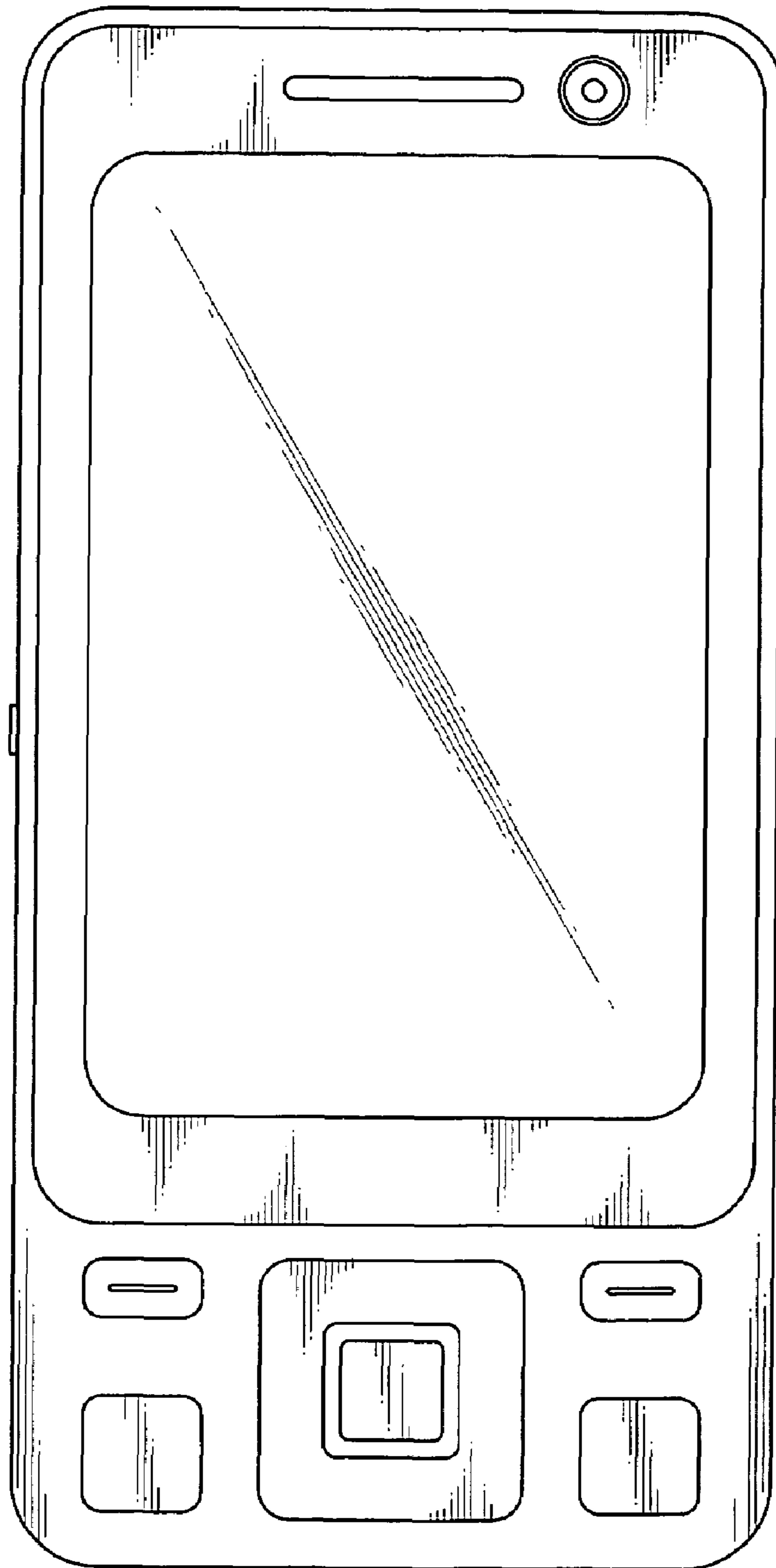


FIG.3

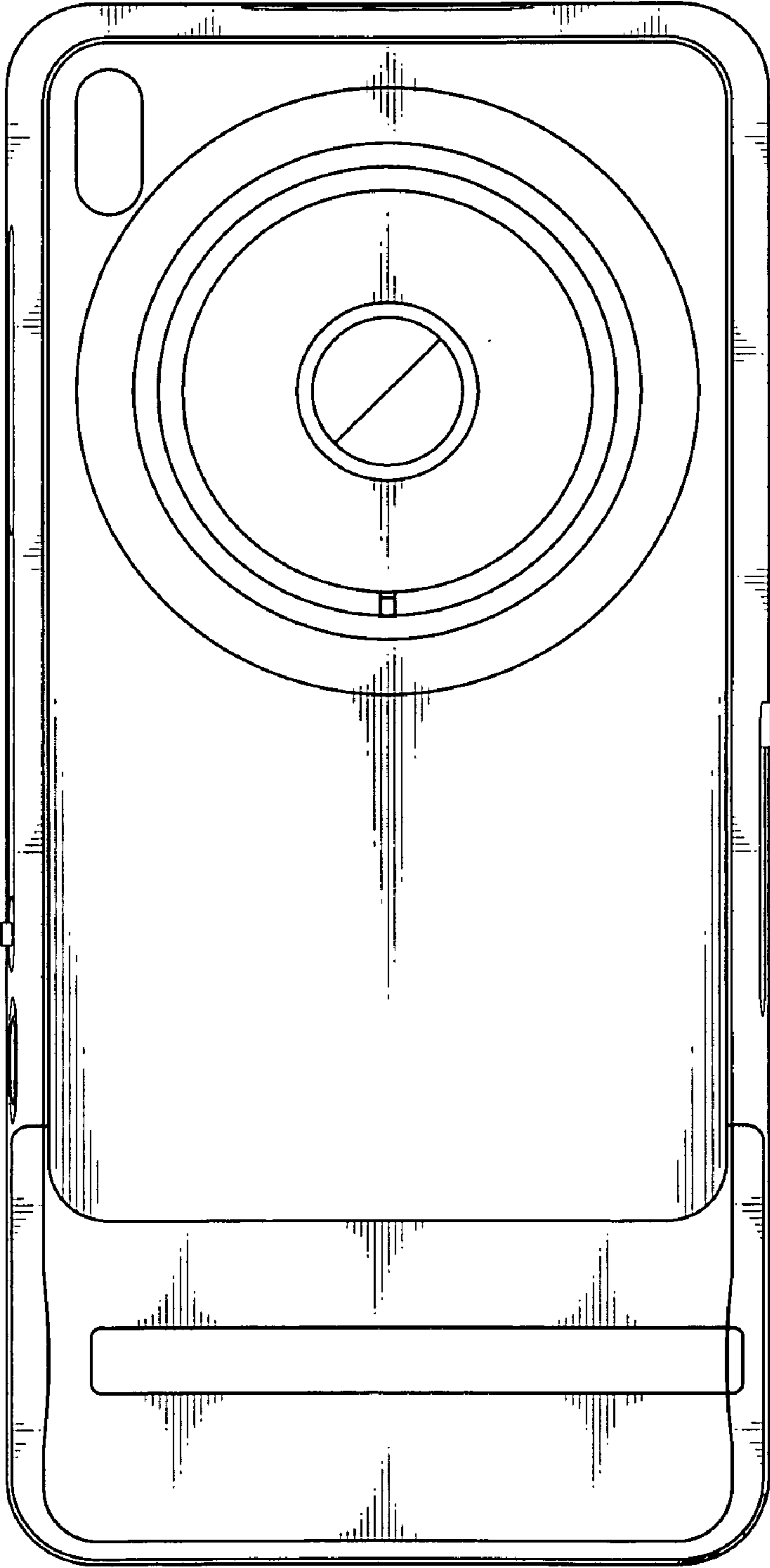


FIG.4

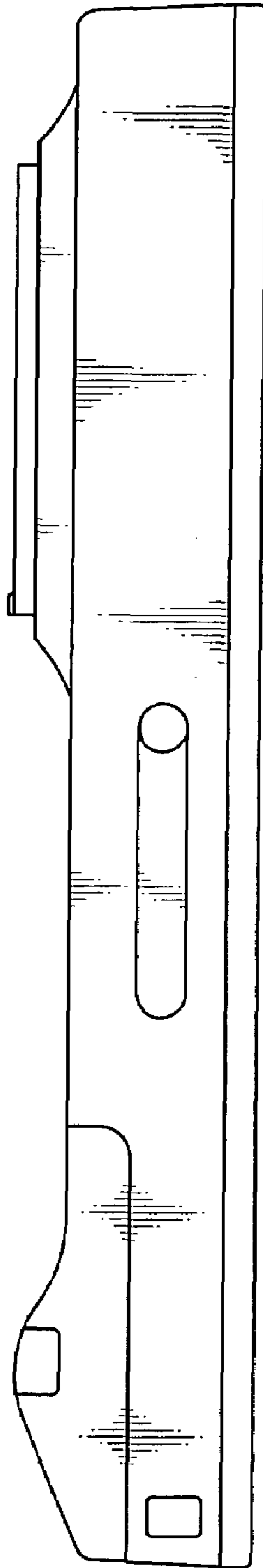


FIG.5

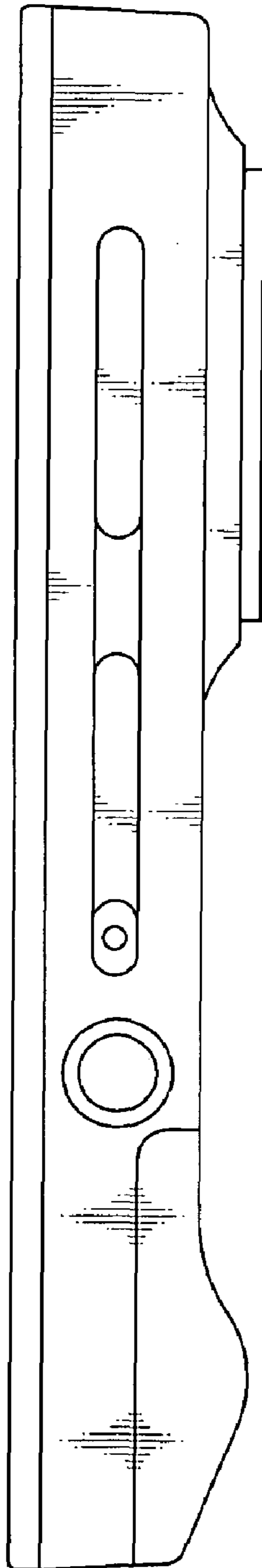


FIG.6

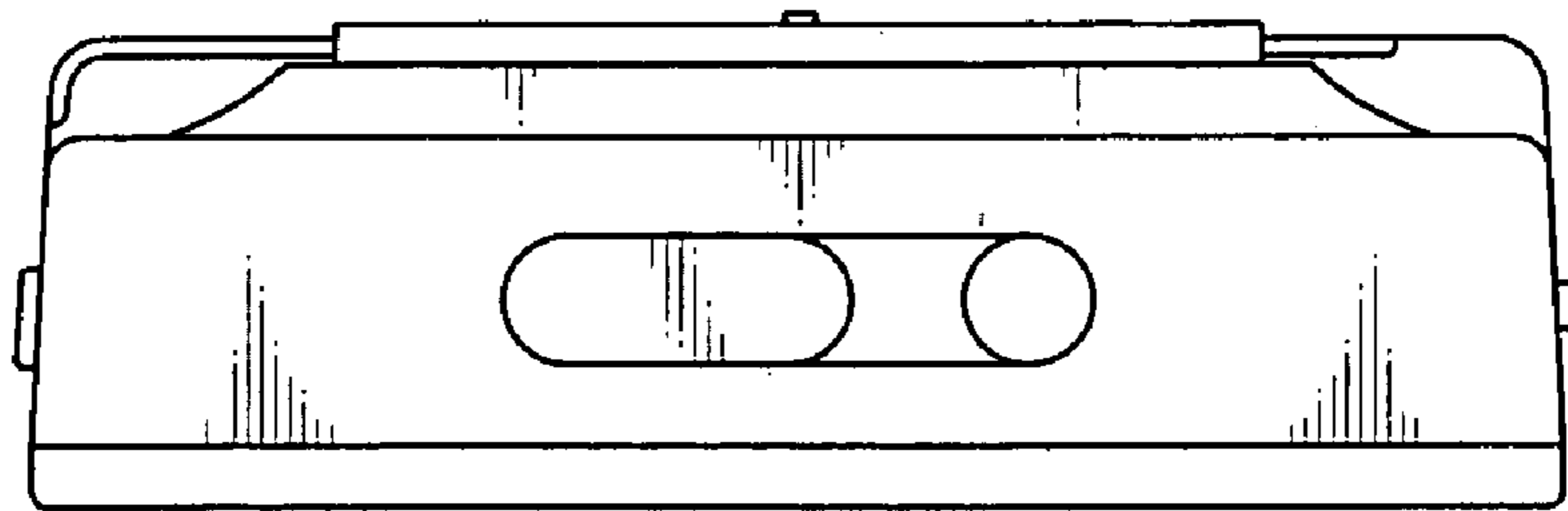


FIG.7

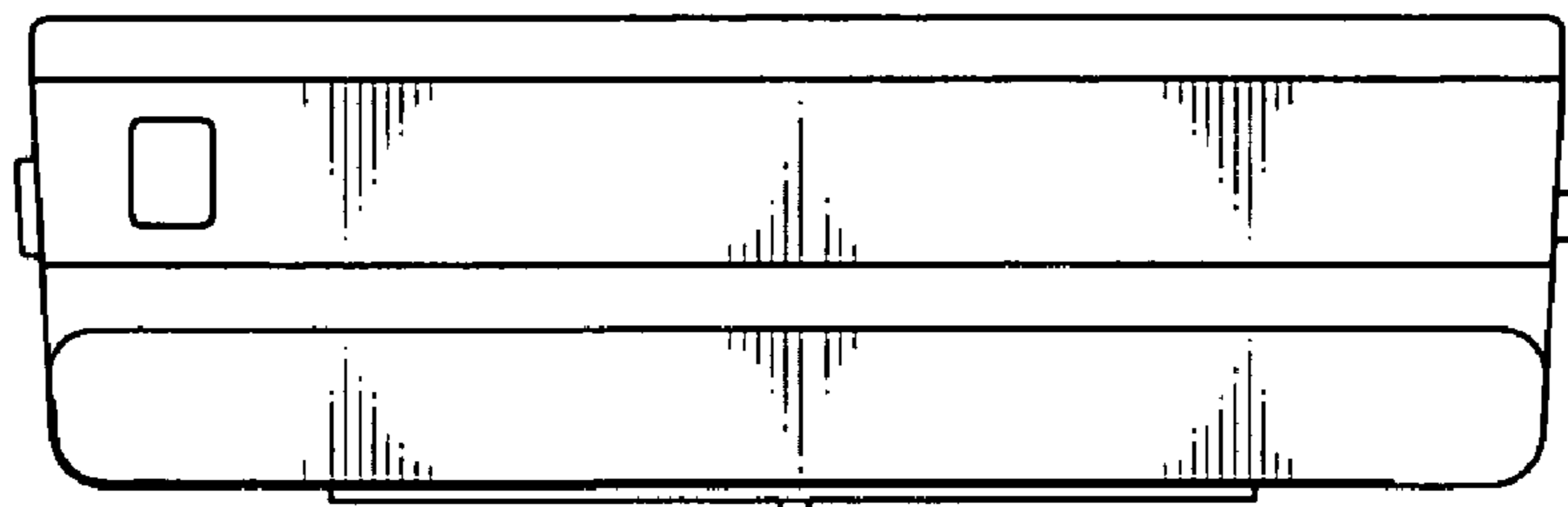


FIG.8

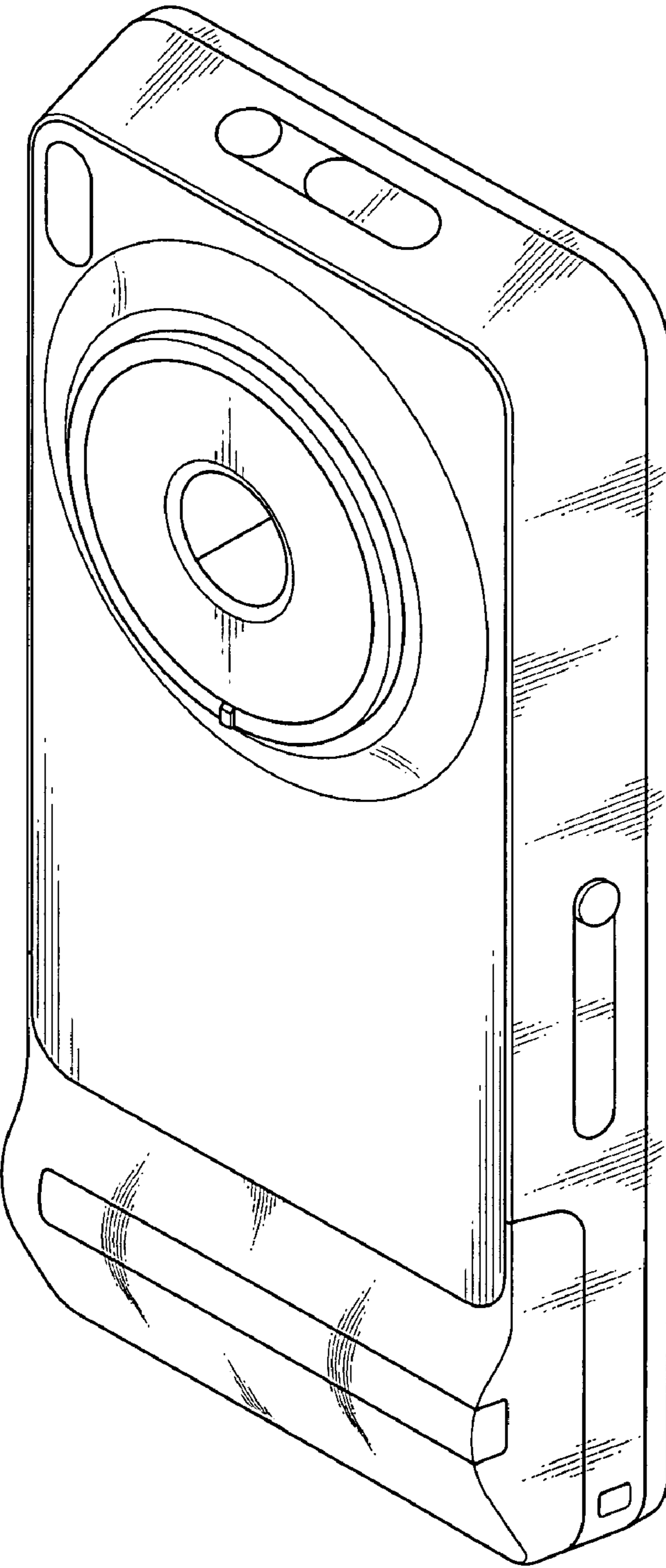


FIG. 9

