



US00D576134S

(12) **United States Design Patent**
Biddle

(10) **Patent No.:** **US D576,134 S**
(45) **Date of Patent:** **** Sep. 2, 2008**

(54) **MOBILE PHONE**

(75) Inventor: **Jonathan Biddle**, Taipei (TW)

(73) Assignee: **Hsueh-Ling Chang**, Taipei (TW)

(**) Term: **14 Years**

(21) Appl. No.: **29/267,322**

(22) Filed: **Oct. 12, 2006**

(30) **Foreign Application Priority Data**

Apr. 14, 2006 (TW) 95301929

(51) **LOC (8) Cl.** **14-03**

(52) **U.S. Cl.** **D14/138**

(58) **Field of Classification Search** D14/137,
D14/138, 147, 191, 218, 341-347, 247-248,
D14/496; 455/90.3, 556.1, 556.2, 575.1,
455/575.3, 575.4, 566; 379/433.01-433.13;
361/814; 348/14.02; D10/65, 78, 104; D13/168;
D18/7; 345/169

See application file for complete search history.

(56) **References Cited**

U.S. PATENT DOCUMENTS

D476,302 S *	6/2003	Hwang et al.	D14/138
D477,295 S *	7/2003	Chung	D14/138
D486,461 S *	2/2004	Seo et al.	D14/138
D486,810 S *	2/2004	Chung	D14/138
D498,468 S *	11/2004	Seo	D14/138
D502,457 S *	3/2005	Eigenstetter et al.	D14/138
D506,452 S *	6/2005	Lim	D14/138
D510,079 S *	9/2005	Kim et al.	D14/138
D510,924 S *	10/2005	Lee et al.	D14/138
D512,038 S *	11/2005	Kim et al.	D14/138
D512,975 S *	12/2005	Tsai et al.	D14/138
D518,012 S *	3/2006	Fuxen	D14/138
D521,483 S *	5/2006	Kim et al.	D14/138
D525,186 S *	7/2006	Martin	D12/521
D535,273 S *	1/2007	Baik et al.	D14/138
D535,965 S *	1/2007	Baik et al.	D14/138
D536,323 S *	2/2007	Oh et al.	D14/138
D536,324 S *	2/2007	Oh et al.	D14/138

D543,526 S *	5/2007	Jung et al.	D14/138
D545,286 S *	6/2007	Lee et al.	D14/138
D545,797 S *	7/2007	Yang et al.	D14/138
D551,199 S *	9/2007	Cho et al.	D14/138
D552,575 S *	10/2007	Han et al.	D14/138
D554,090 S *	10/2007	Hunt et al.	D14/138
D554,987 S *	11/2007	Terrasi	D9/424
2004/0038703 A1 *	2/2004	Noto et al.	455/550.1
2004/0253995 A1 *	12/2004	Matsumoto et al.	455/569.1
2005/0054395 A1 *	3/2005	Arbisi et al.	455/575.3
2007/0243906 A1 *	10/2007	Biddle	455/566

OTHER PUBLICATIONS

Samsung C260, announced Feb. 2007, [online], [retrieved on Nov. 29, 2007]. Retrieved from Internet ,<URL: <http://www.gsmarena.com>>.*

Motoola V750, announced 3rd quarter 2003, [online], [retrieved on Nov. 30, 2007]. Retrieved from Internet ,<URL: <http://www.gsmarena.com>>.*

(Continued)

Primary Examiner—Jeffrey D. Asch

Assistant Examiner—Bridget L Eland

(74) *Attorney, Agent, or Firm*—Birch, Stewart, Kolasch & Birch, LLP

(57) **CLAIM**

The ornamental design for a mobile phone, as shown and described.

DESCRIPTION

FIG. 1 is a perspective view of a mobile phone, showing our new design;

FIG. 2 is a front elevational view thereof;

FIG. 3 is a rear elevational view thereof;

FIG. 4 is a left side elevational view thereof;

FIG. 5 is a right side elevational view thereof;

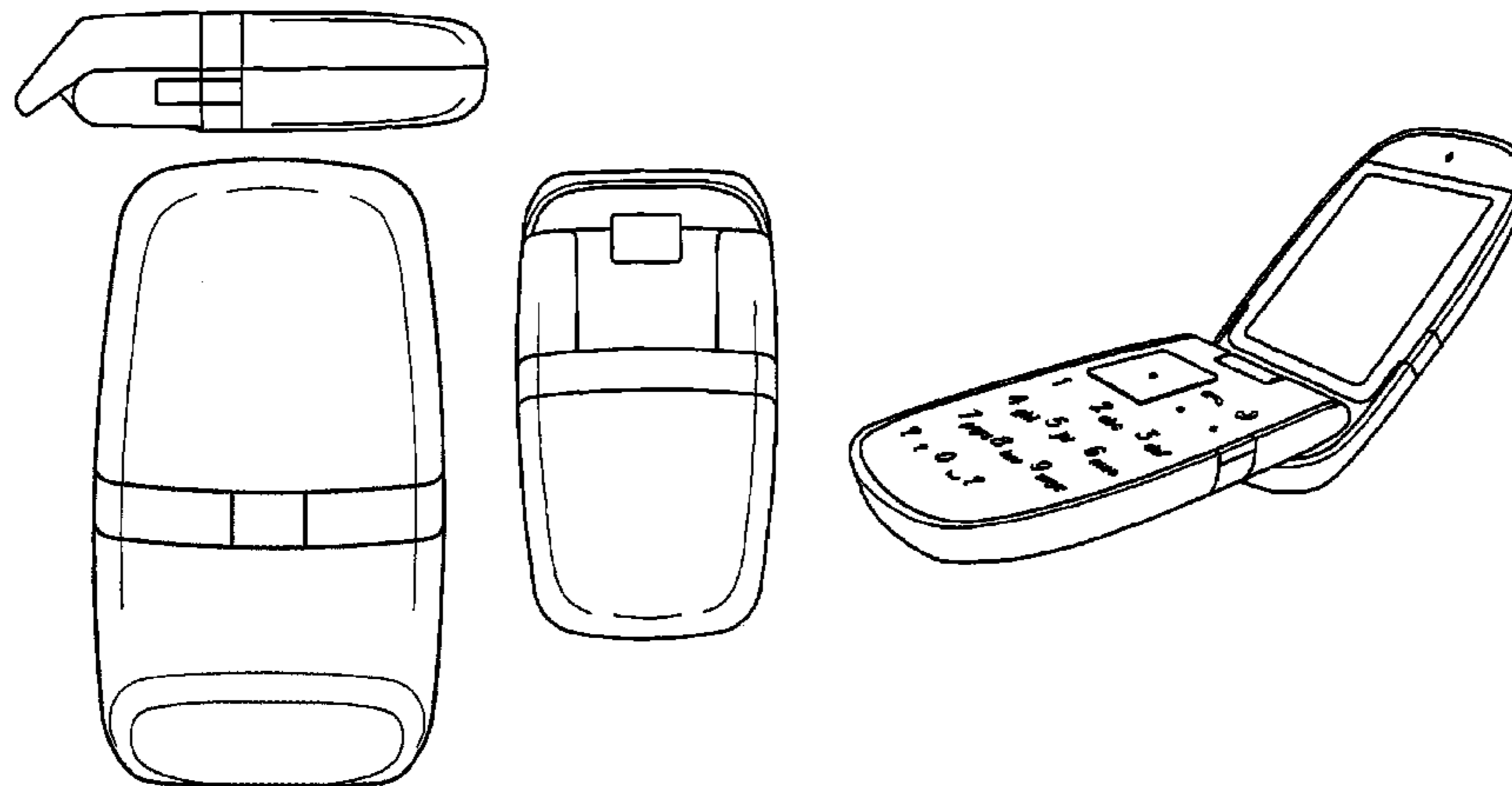
FIG. 6 is a top plan view thereof;

FIG. 7 is a bottom plan view thereof;

FIG. 8 is an open perspective view thereof; and,

FIG. 9 is an open bottom perspective view thereof.

1 Claim, 7 Drawing Sheets



OTHER PUBLICATIONS

Siemens CF75, announced 1st quarter 2005, [online], [retrieved on Nov. 30, 2007]. Retrieved from Internet ,<URL: <http://www.gsmarena.com>>.*

NEC e338, announced 3rd quarter 2004, [online], [retrieved on Nov. 30, 2007]. Retrieved from Internet ,<URL: <http://www.gsmarena.com>>.*

* cited by examiner

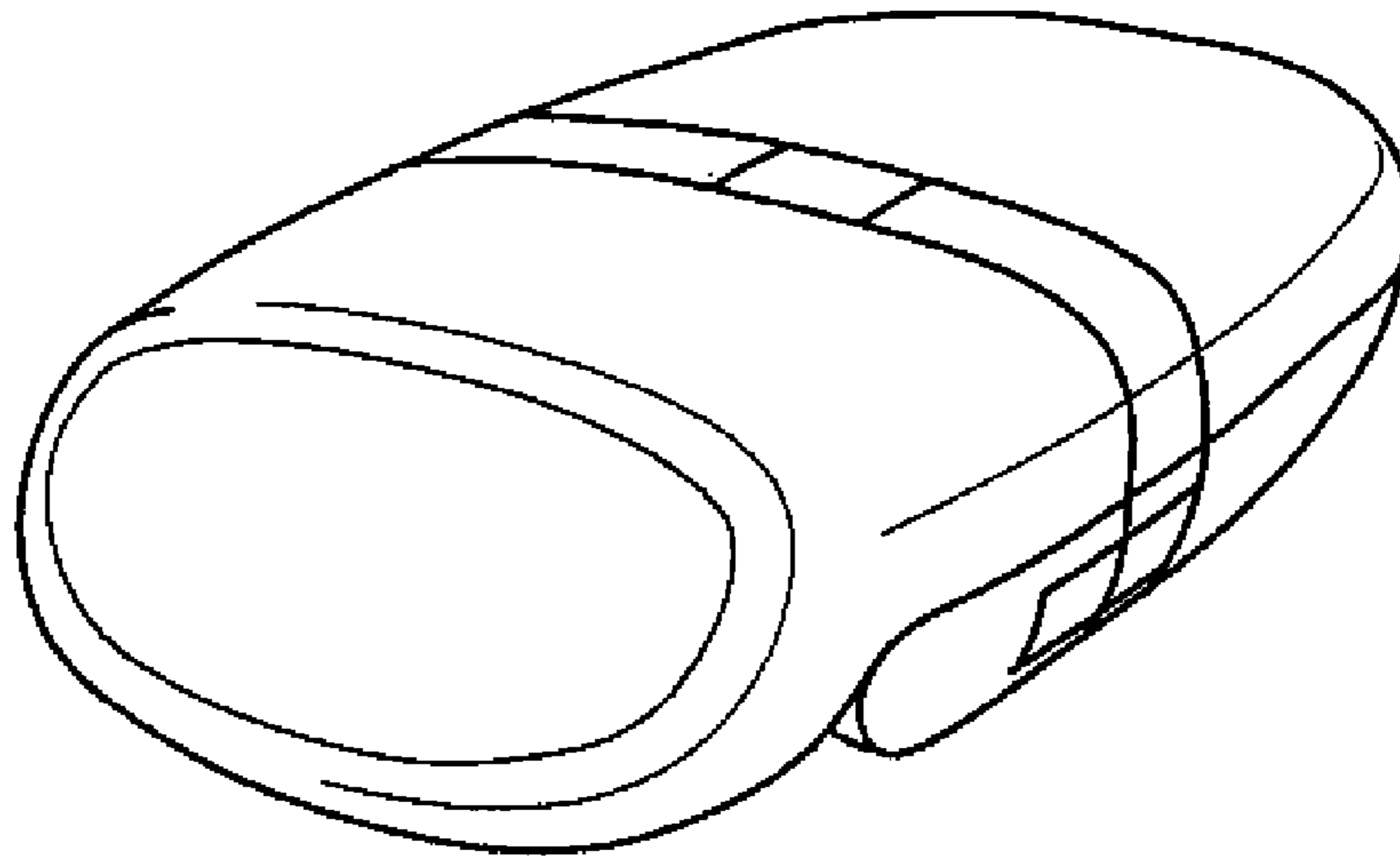


FIG. 1

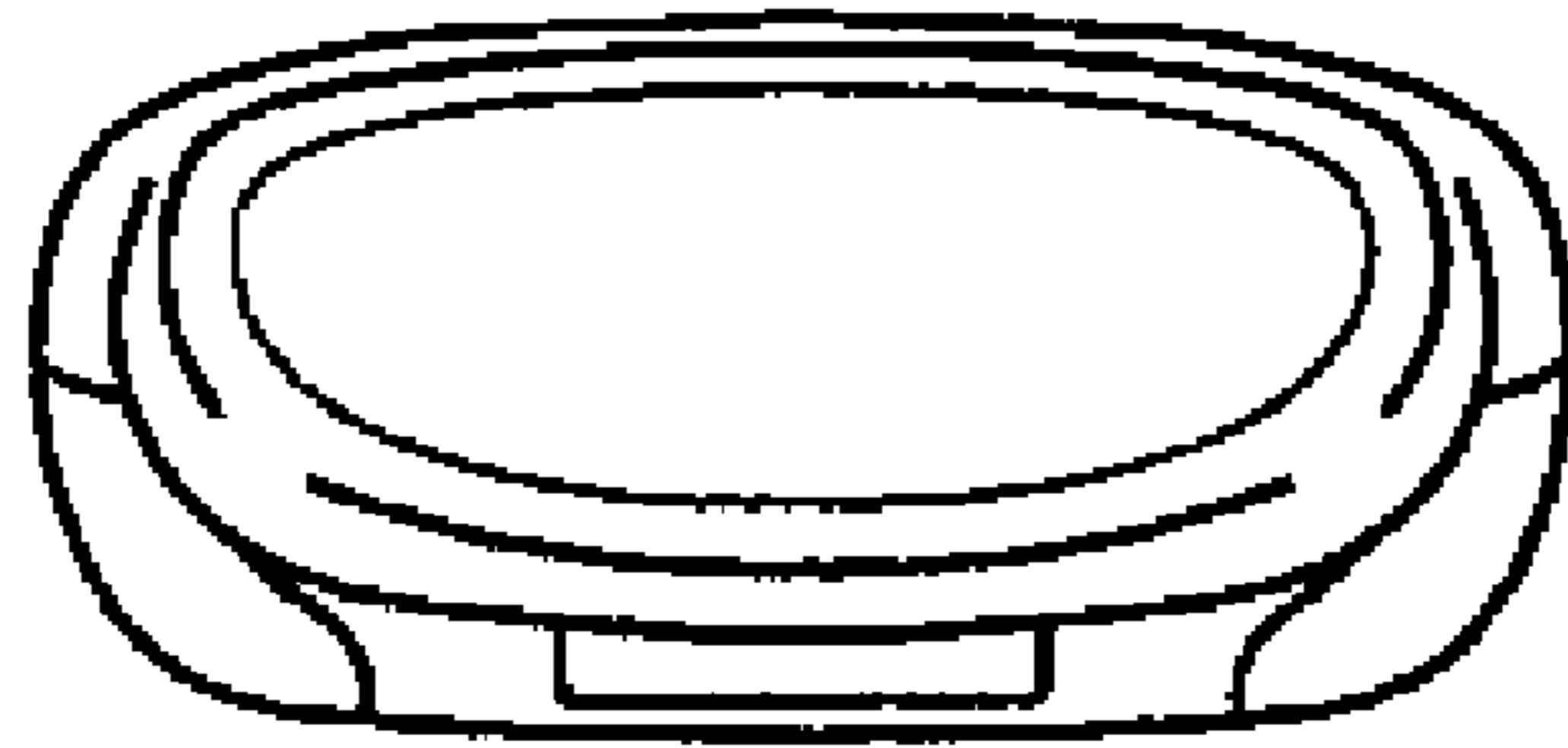


FIG. 2

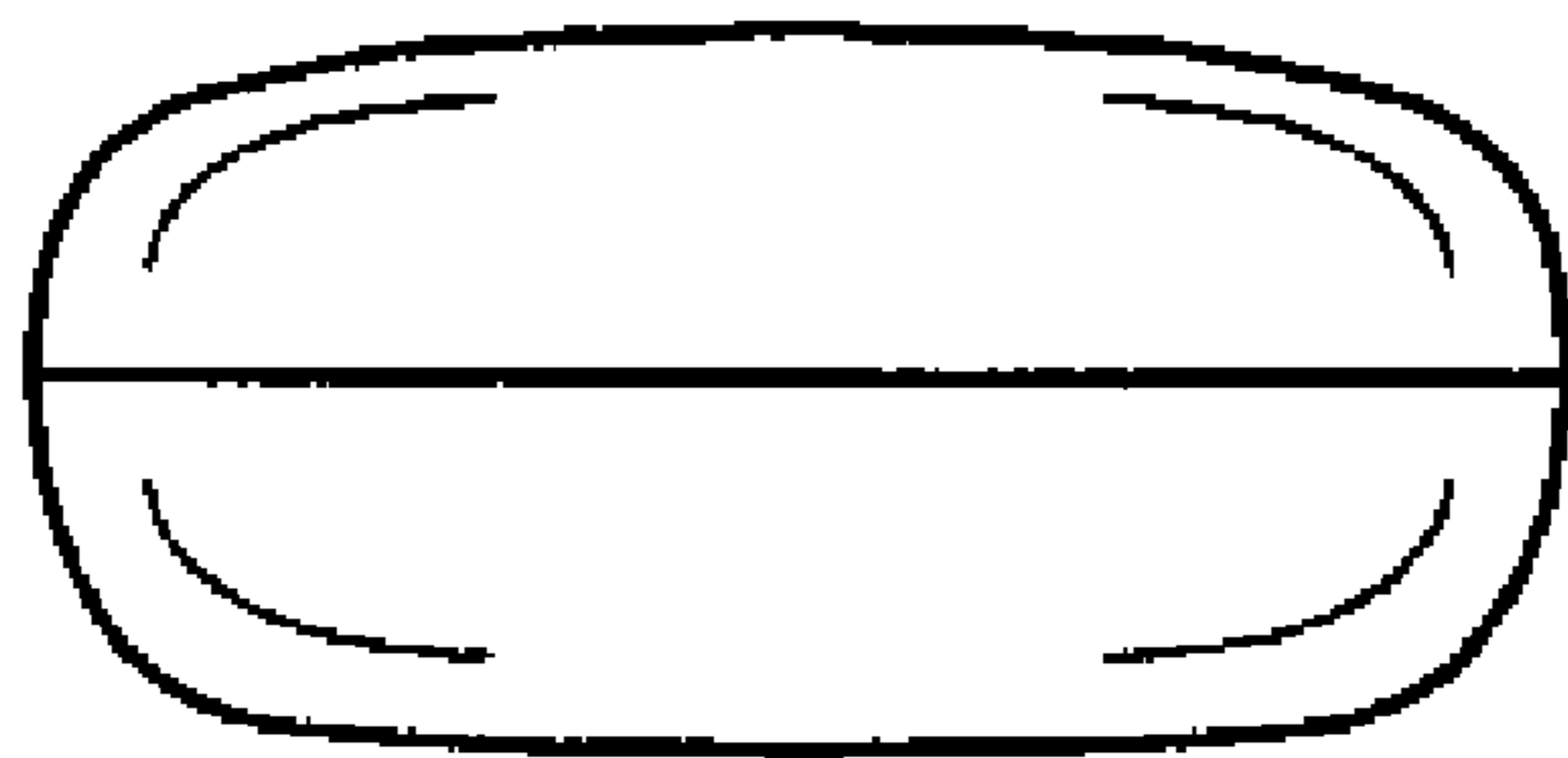


FIG. 3

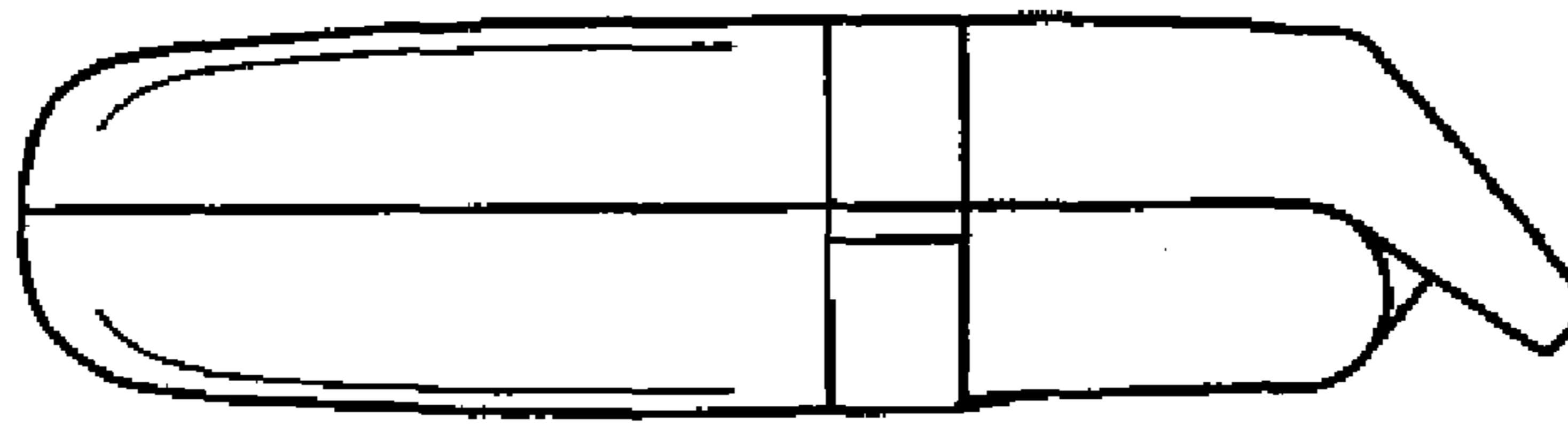


FIG. 4

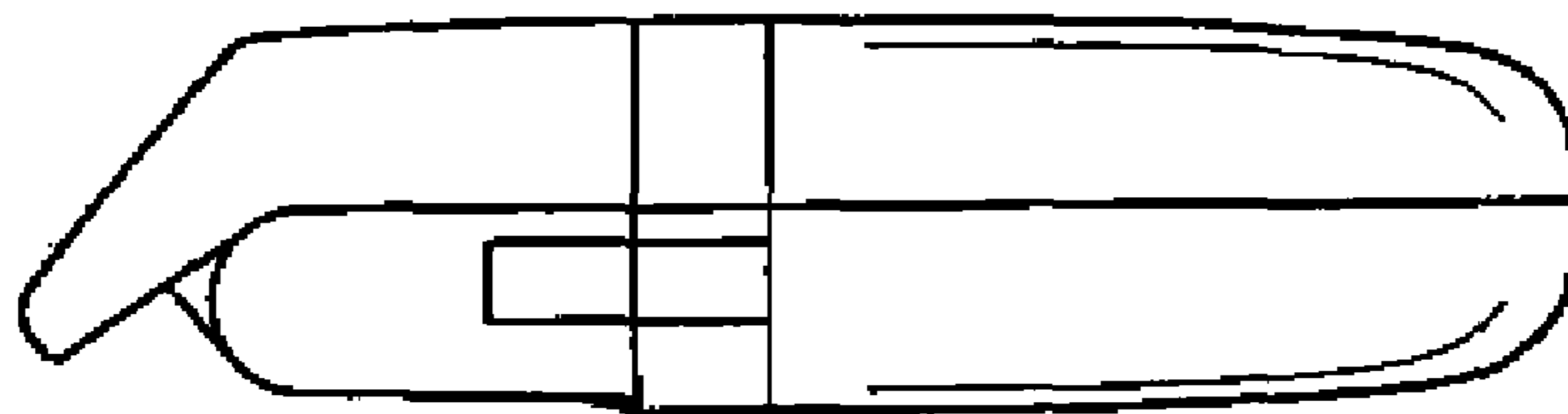


FIG. 5

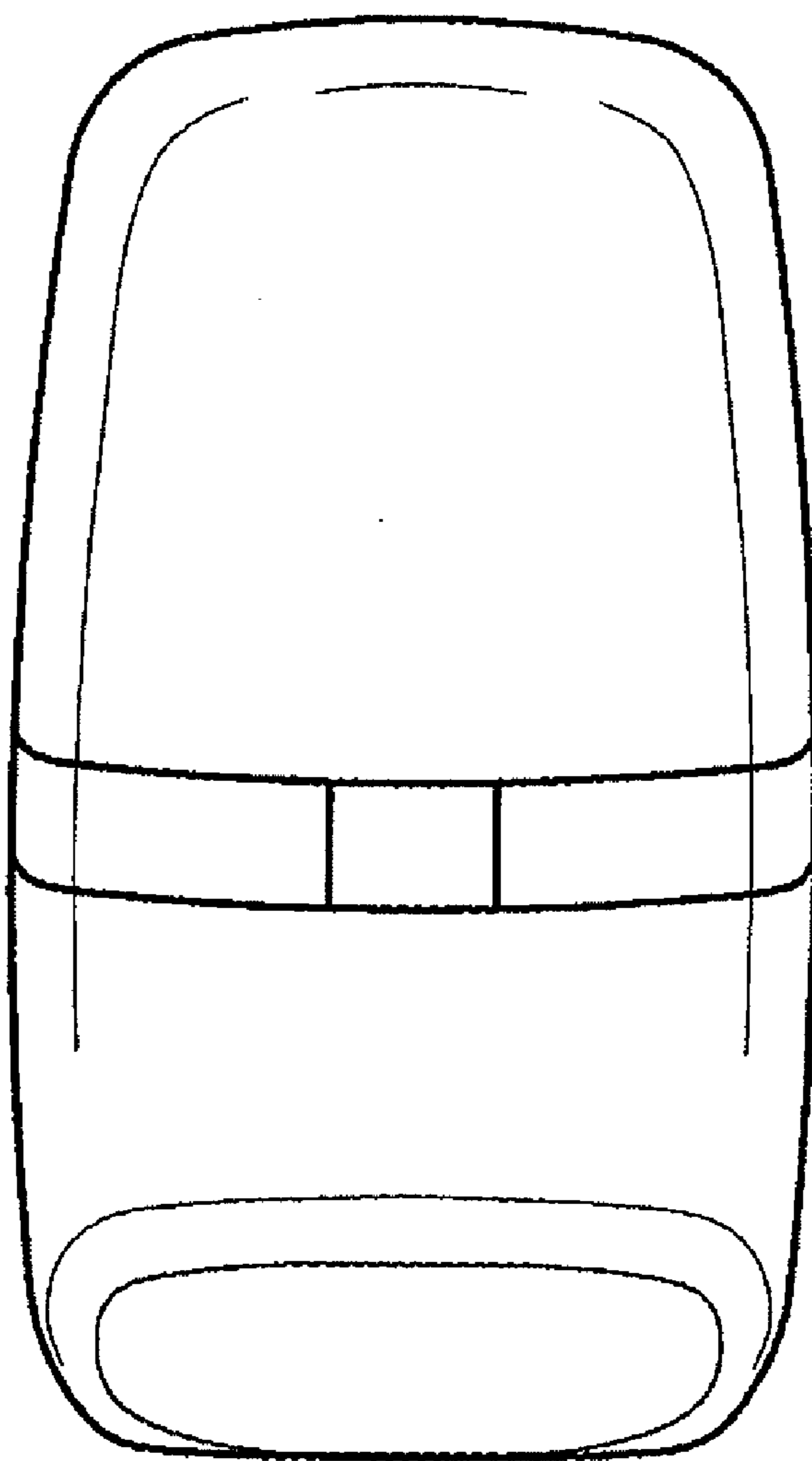


FIG. 6

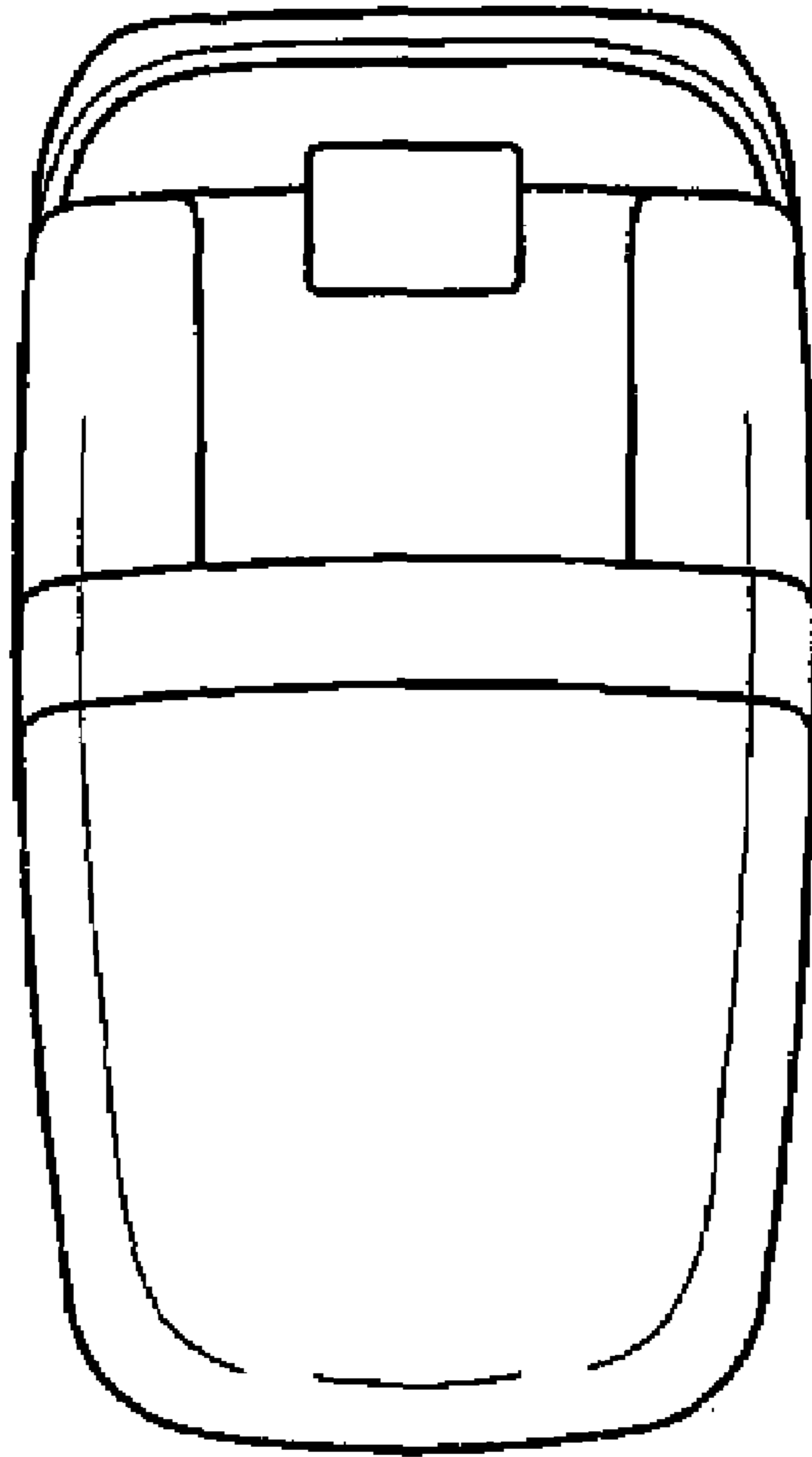


FIG. 7

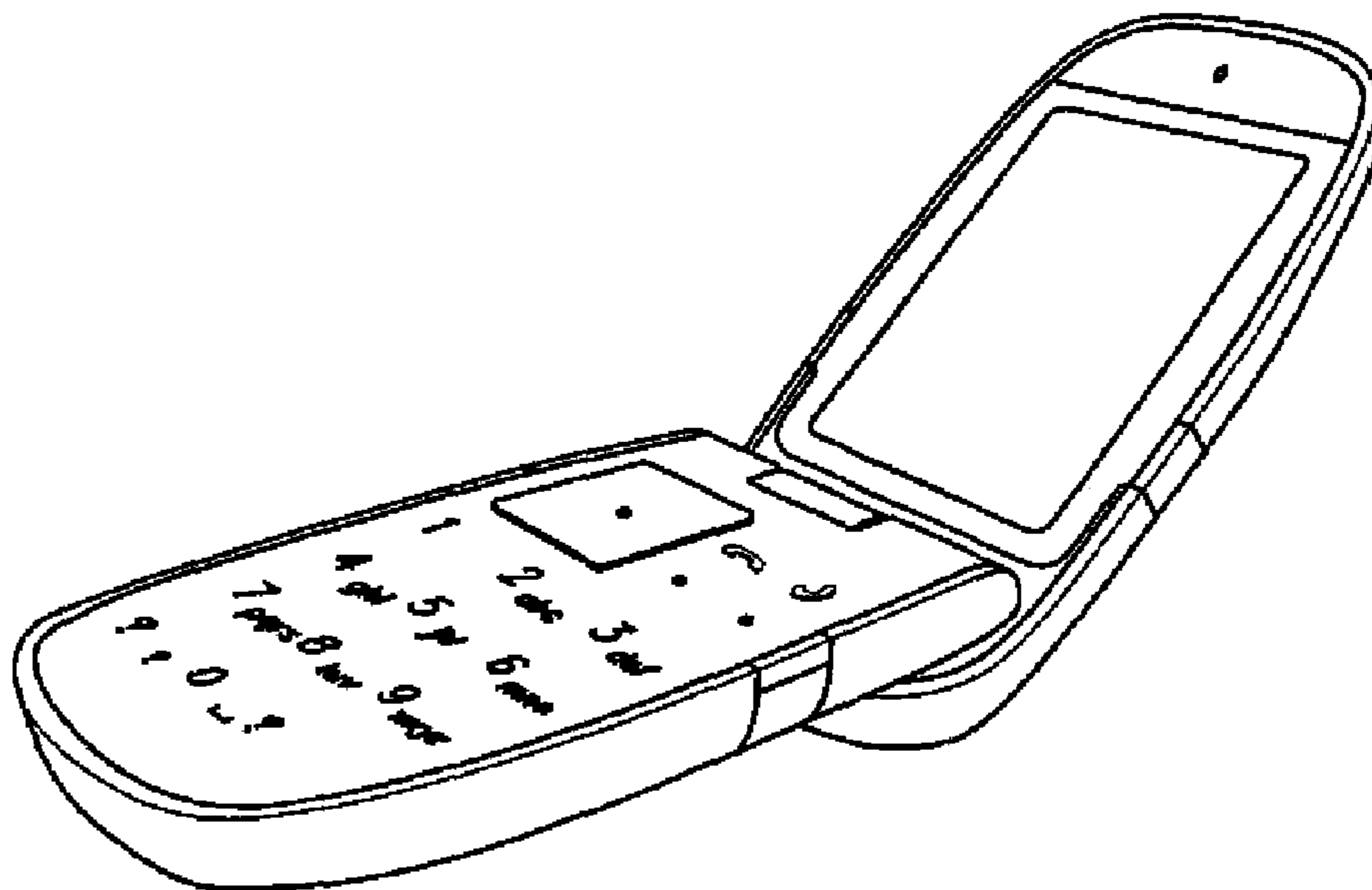
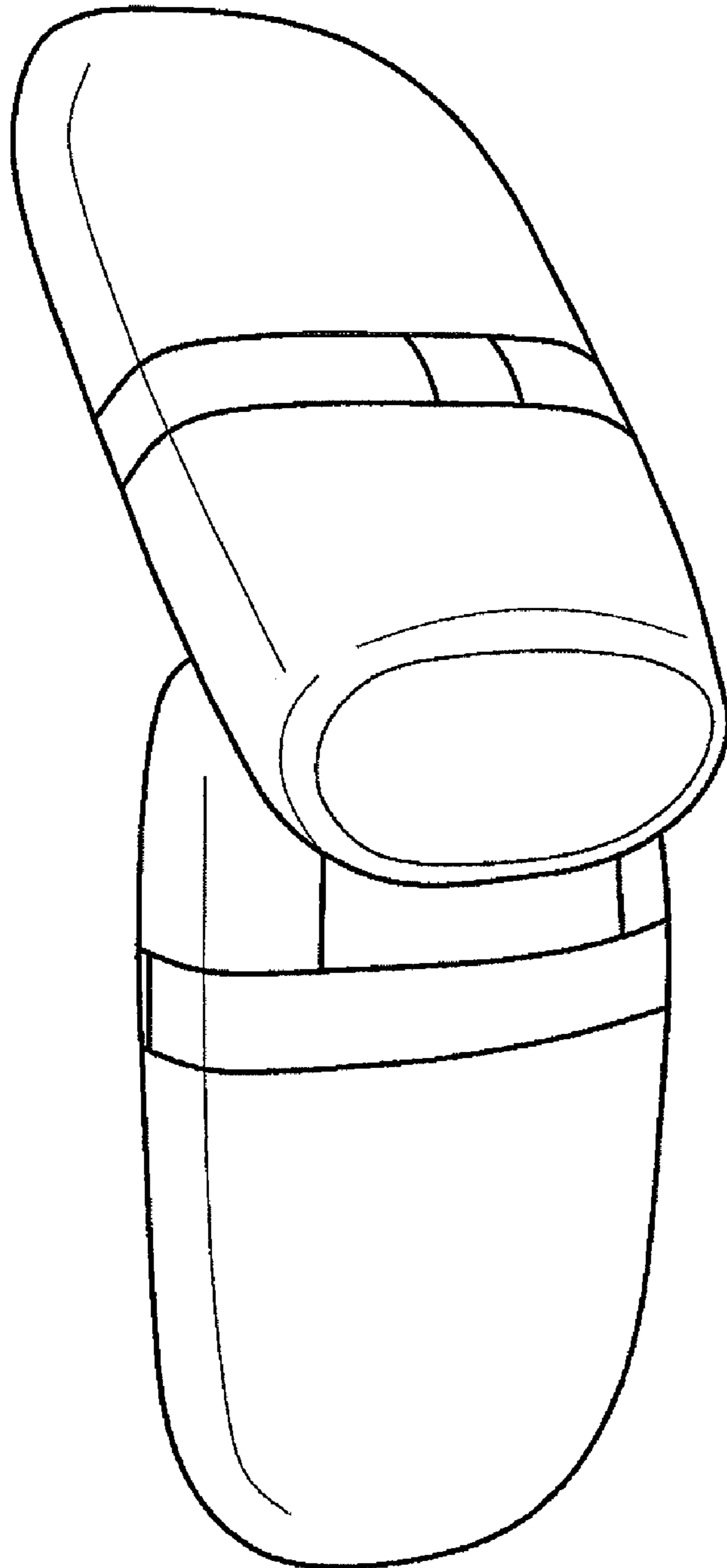


FIG. 8



F I G . 9