

US00D576130S

(12) **United States Design Patent**  
**Kim et al.**

(10) **Patent No.:** **US D576,130 S**  
(45) **Date of Patent:** **\*\* Sep. 2, 2008**

(54) **PORTABLE PHONE**

(75) Inventors: **Hyun-Sook Kim**, Yeongin-si (KR);  
**Yoon-Young Cho**, Seoul (KR);  
**Chang-Hwan Hwang**, Goyang-Si (KR)

(73) Assignee: **Samsung Electronics Co., Ltd.**,  
Suwon-si (KR)

(\*\*) Term: **14 Years**

(21) Appl. No.: **29/262,108**

(22) Filed: **Jun. 27, 2006**

(30) **Foreign Application Priority Data**

Dec. 28, 2005 (KR) ..... 30-2005-0044380

(51) **LOC (8) Cl.** ..... **14-03**

(52) **U.S. Cl.** ..... **D14/138**

(58) **Field of Classification Search** ..... D14/138,  
D14/496, 341-347; 455/575.3, 575.1; D21/517  
See application file for complete search history.

(56) **References Cited**

**U.S. PATENT DOCUMENTS**

D448,745 S *	10/2001	Kim	.....	D14/138
D501,190 S *	1/2005	Watanabe et al.	.....	D14/138
D508,476 S *	8/2005	Kim	.....	D14/138
D513,505 S *	1/2006	Lee	.....	D14/138
D518,015 S *	3/2006	Cho	.....	D14/138
D518,465 S *	4/2006	Van Den Nieuwenhuizen et al.	.....	D14/138
D519,967 S *	5/2006	Wei et al.	.....	D14/138
D533,184 S *	12/2006	Kim	.....	D14/496
D536,318 S *	2/2007	Kim et al.	.....	D14/138
D540,768 S *	4/2007	Cho et al.	.....	D14/138
D545,798 S *	7/2007	Kimbire	.....	D14/138
D552,577 S *	10/2007	Kim et al.	.....	D14/138
D553,597 S *	10/2007	Hsu	.....	D14/138

(Continued)

**OTHER PUBLICATIONS**

Samsung E420 telephone, announced Oct. 2006, [online], [site visited Apr. 22, 2008]. Available from Internet ,<URL: http://www.gsmarena.com>.\*

Sony Ericsson Z750 telephone, announced Mar. 2007, [online], [site visited Apr. 22, 2008]. Available from Internet ,<URL: http://www.gsmarena.com>.\*

Sony Ericsson Z520 telephone, announced Jun. 2005, [online], [site visited Apr. 22, 2008]. Available from Internet ,<URL: http://www.gsmarena.com>.\*

NEC N820 telephone, announced 4<sup>th</sup> quarter 2003, [online], [site visited Apr. 22, 2008]. Available from Internet ,<URL: http://www.gsmarena.com>.\*

Samsung E750 telephone, announced 1st quarter 2005, [online], [site visited Apr. 22, 2008]. Available from Internet ,<URL: http://www.gsmarena.com>.\*

LG KG210 telephone, announced Apr. 2006, [online], [site visited on Apr. 22, 2008]. Available from Internet ,<URL: http://www.gsmarena.com>.\*

Alcatel OT-C707 telephone, announced Feb. 2007, [online], [site visited Apr. 22, 2008]. Available from Internet ,<URL: http://www.gsmarena.com>.\*

*Primary Examiner*—Jeffrey D Asch

(74) *Attorney, Agent, or Firm*—Staas & Halsey LLP

(57) **CLAIM**

The ornamental design for the portable phone, as shown and described.

**DESCRIPTION**

FIG. 1 is a perspective view of the portable phone showing our design;

FIG. 2 is a front view thereof;

FIG. 3 is a rear view thereof;

FIG. 4 is a left side view thereof;

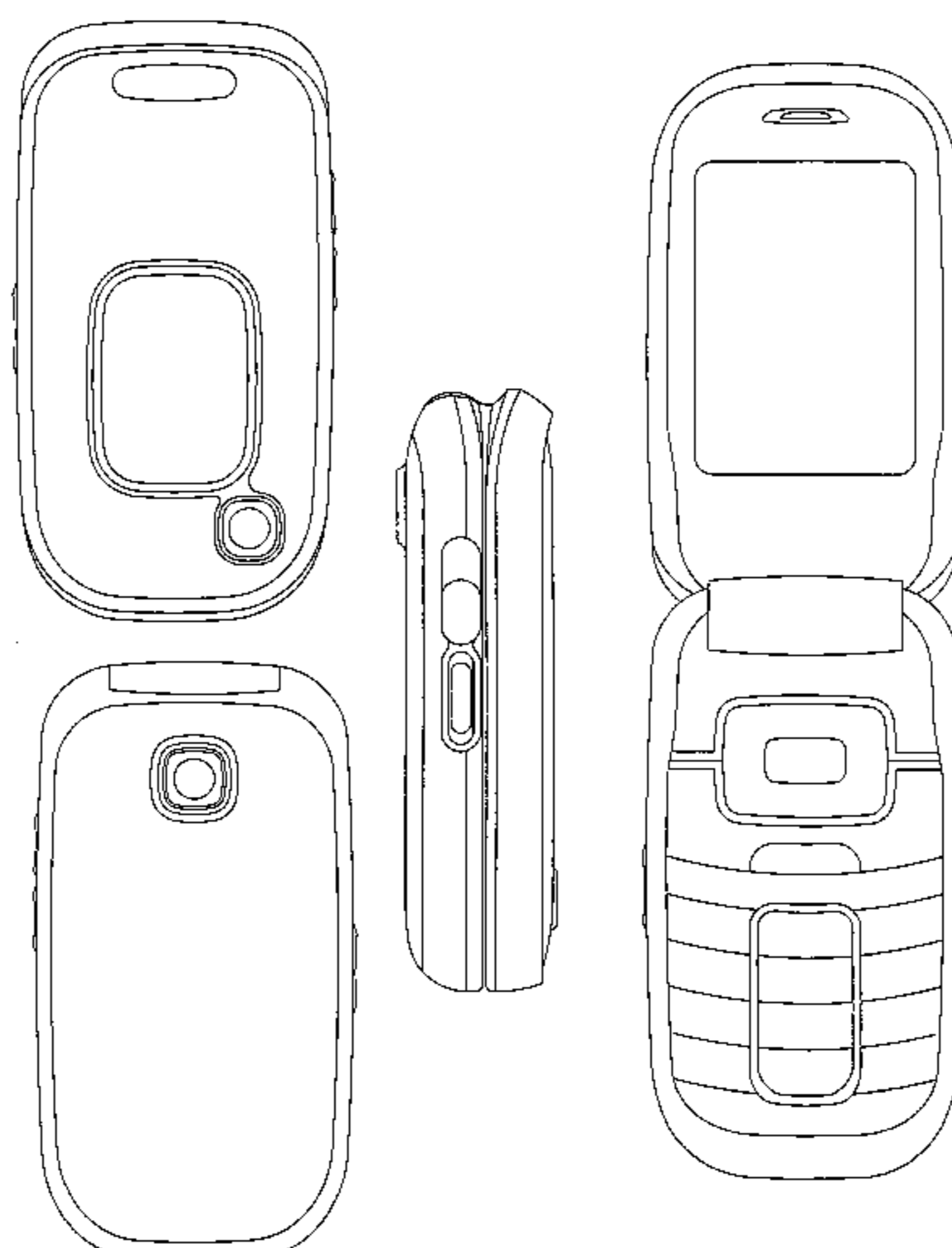
FIG. 5 is a right side view thereof;

FIG. 6 is a top plan view thereof;

FIG. 7 is a bottom plan view thereof; and,

FIG. 8 is an open front view thereof.

**1 Claim, 5 Drawing Sheets**



# US D576,130 S

Page 2

---

## U.S. PATENT DOCUMENTS

D554,090 S *	10/2007	Hunt et al. ....	D14/138	D566,083 S *	4/2008	Kim et al. ....	D14/138
D556,720 S *	12/2007	Lee .....	D14/138	D566,084 S *	4/2008	Oh et al. ....	D14/138
D561,158 S *	2/2008	Heng et al. ....	D14/138	2006/0084465 A1 *	4/2006	Kim .....	455/550.1
D561,159 S *	2/2008	Heng et al. ....	D14/138	2006/0121961 A1 *	6/2006	Cho .....	455/575.3
D563,925 S *	3/2008	Lee .....	D14/138	2007/0178949 A1 *	8/2007	Sato et al. ....	455/575.3

\* cited by examiner

FIG. 1

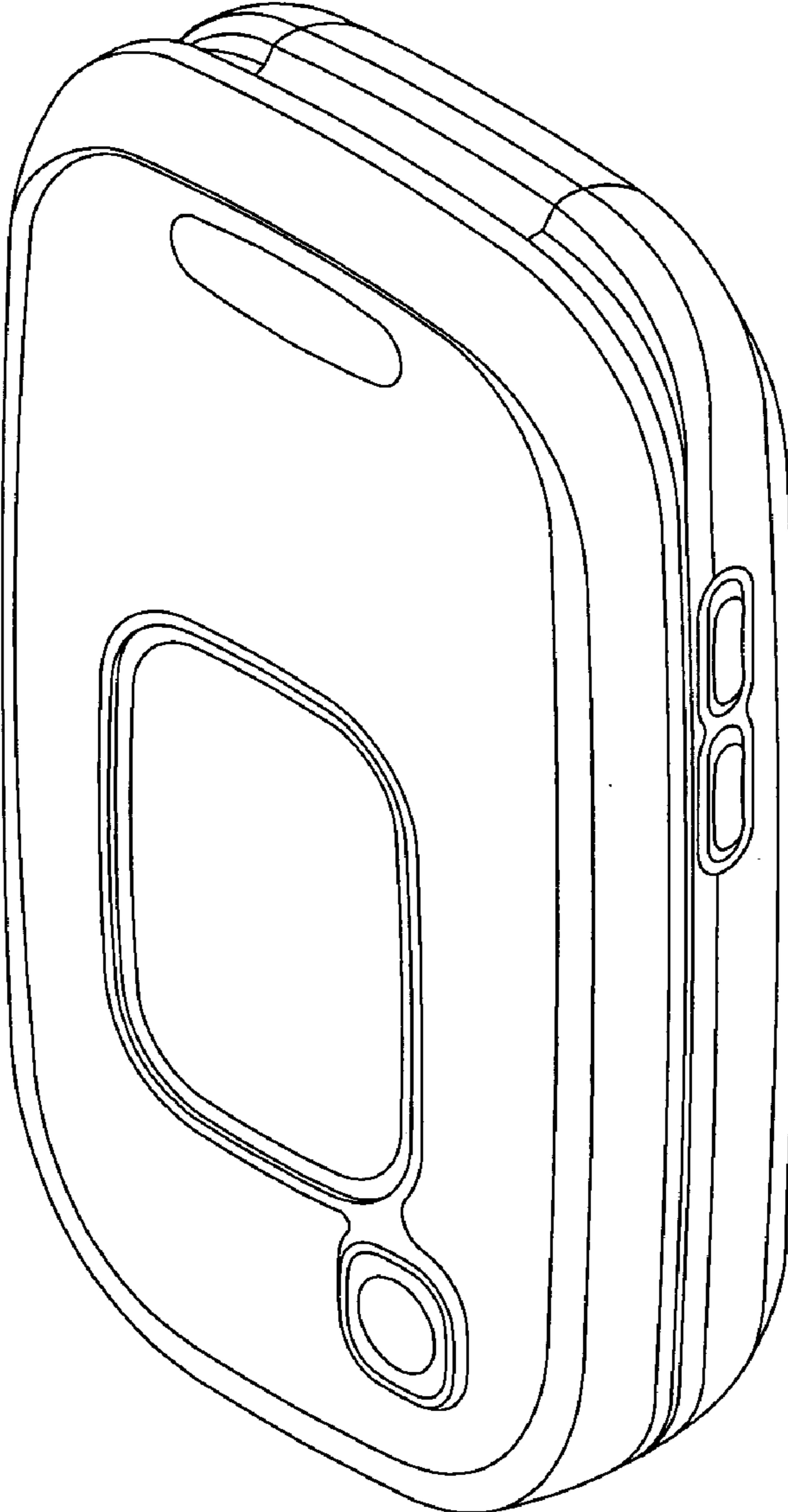


FIG. 2

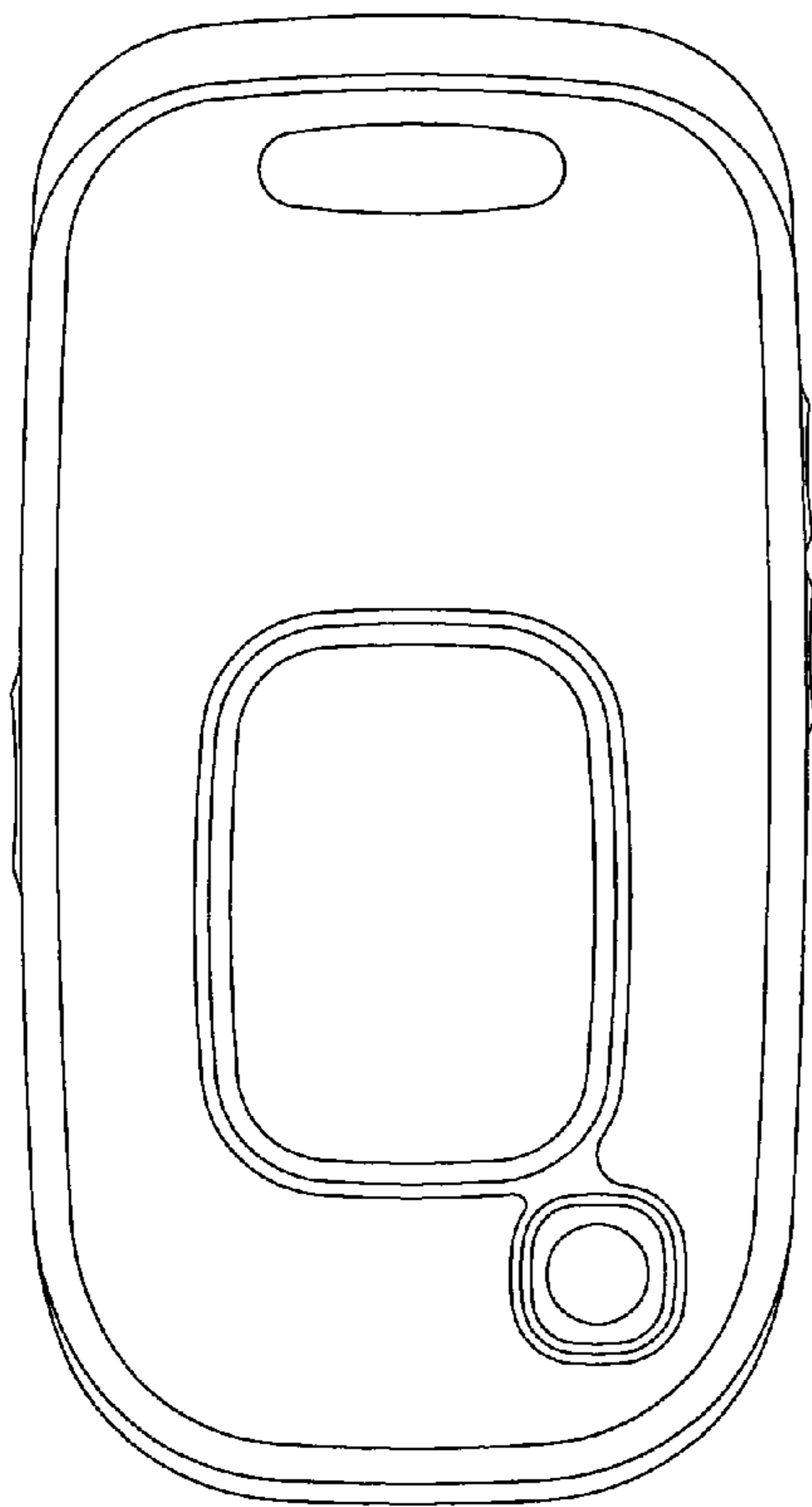


FIG. 3

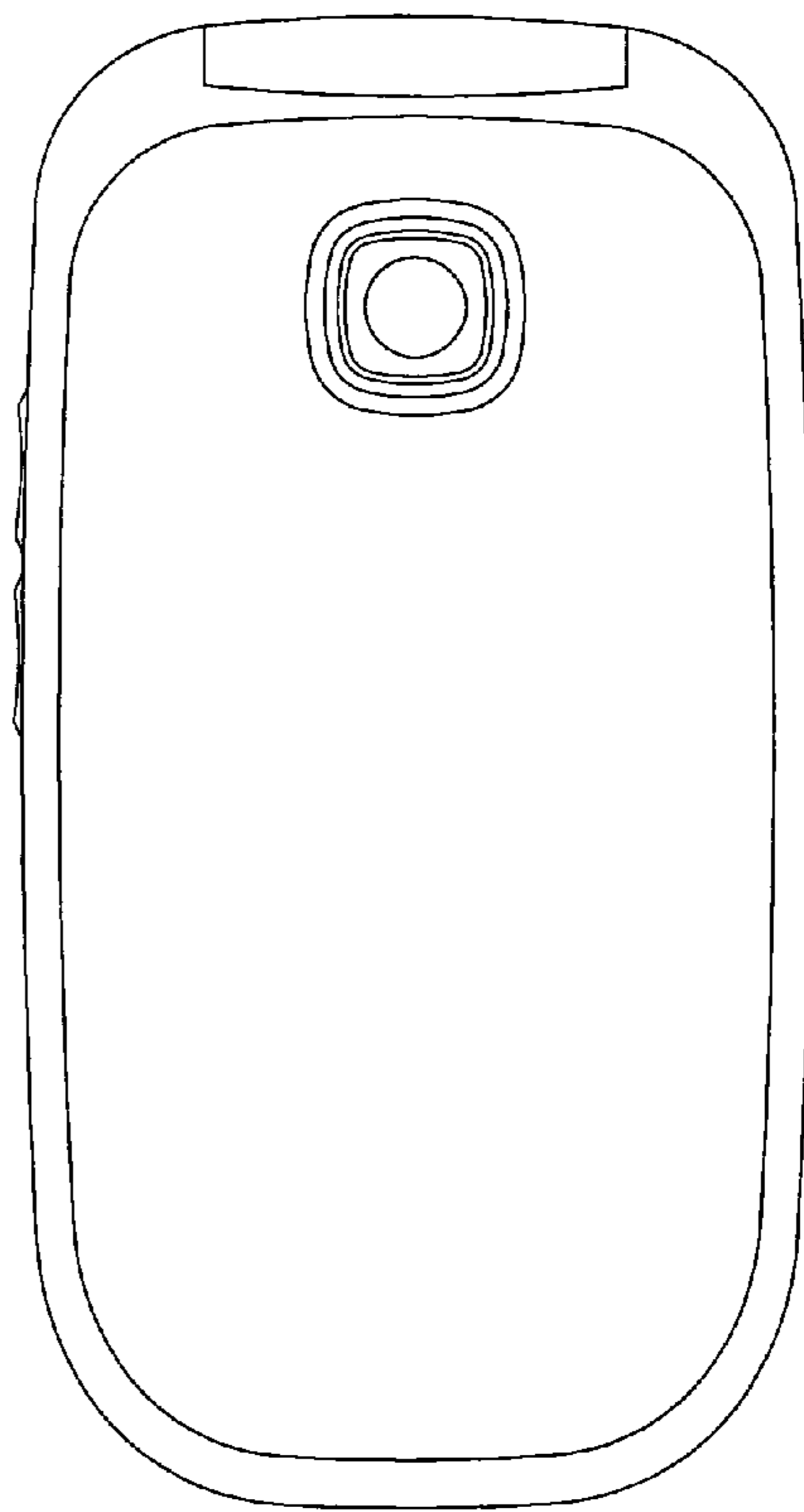


FIG. 4

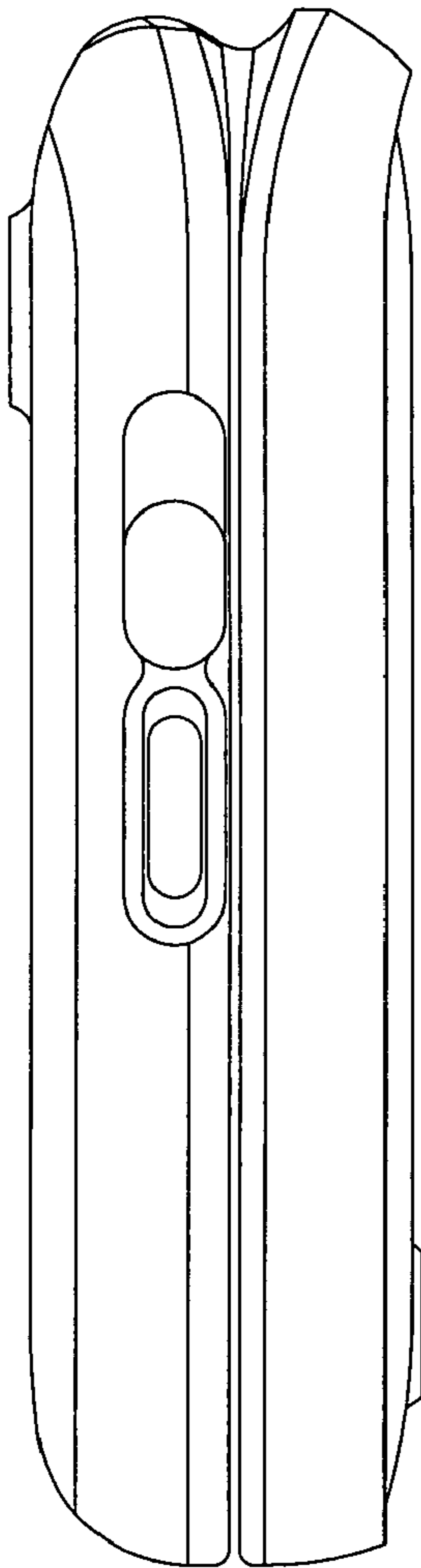


FIG. 5

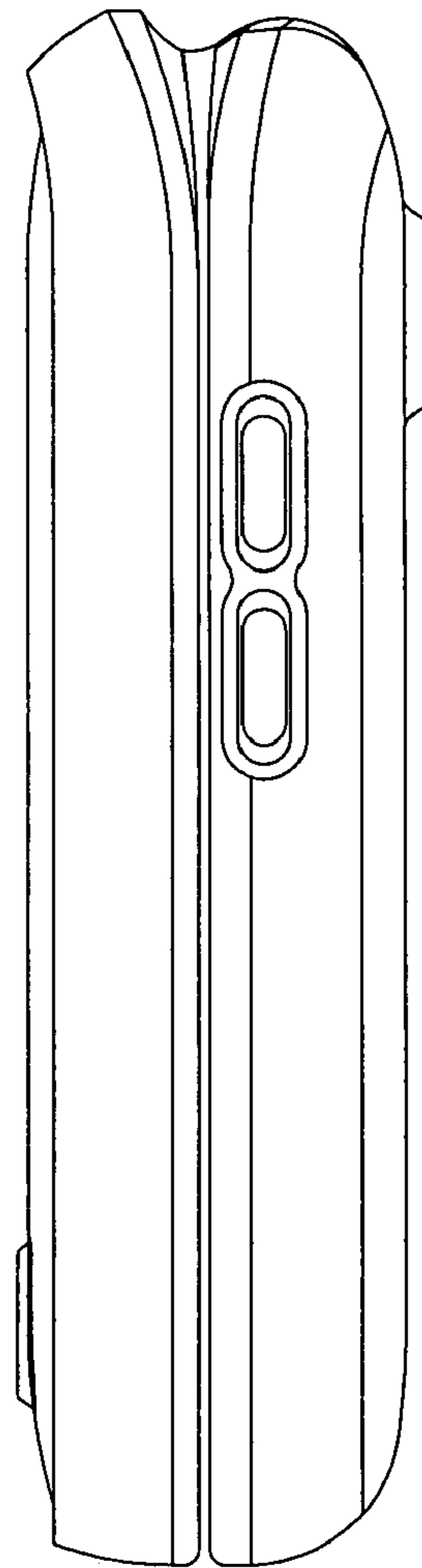


FIG. 6

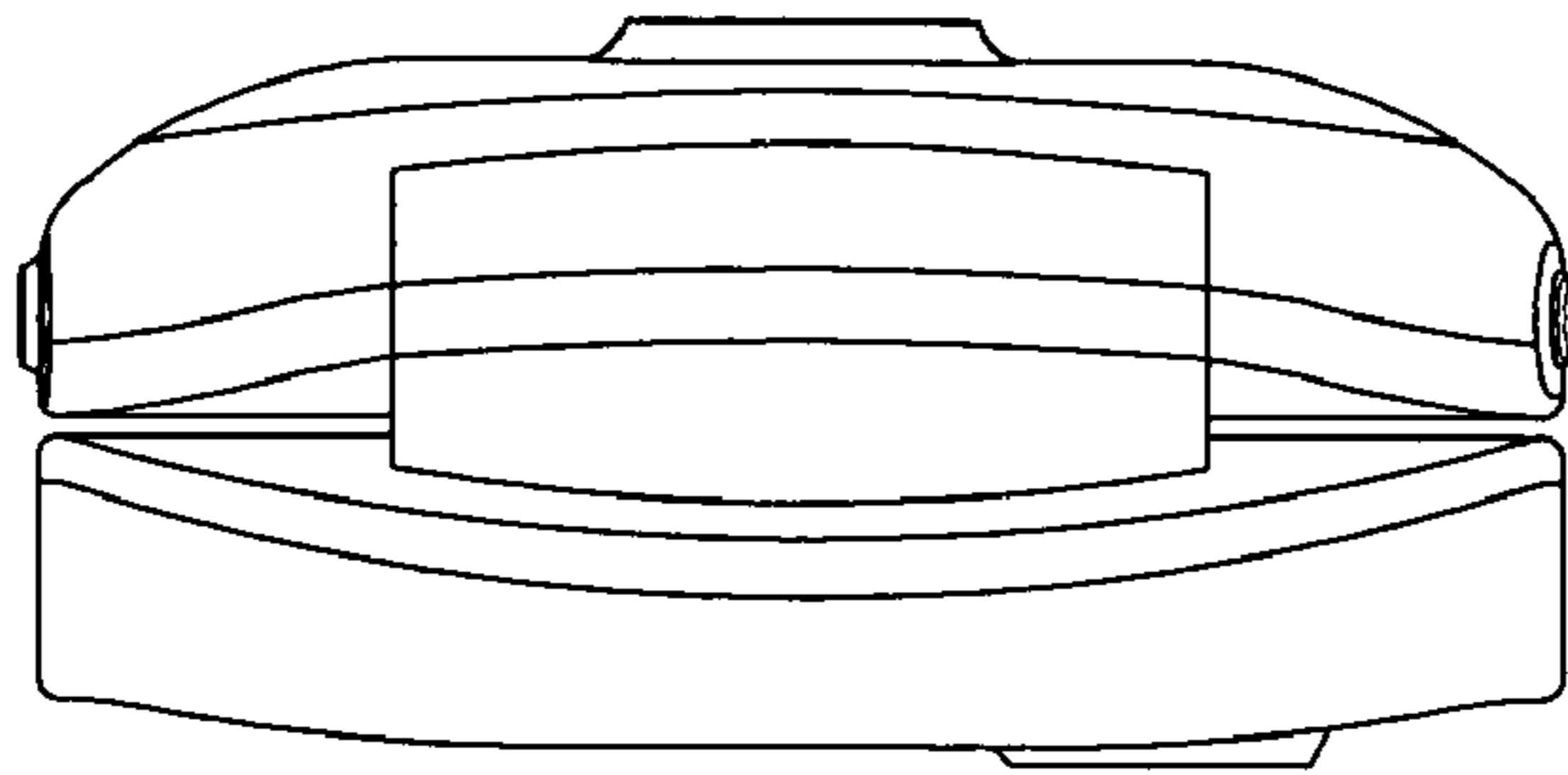


FIG. 7

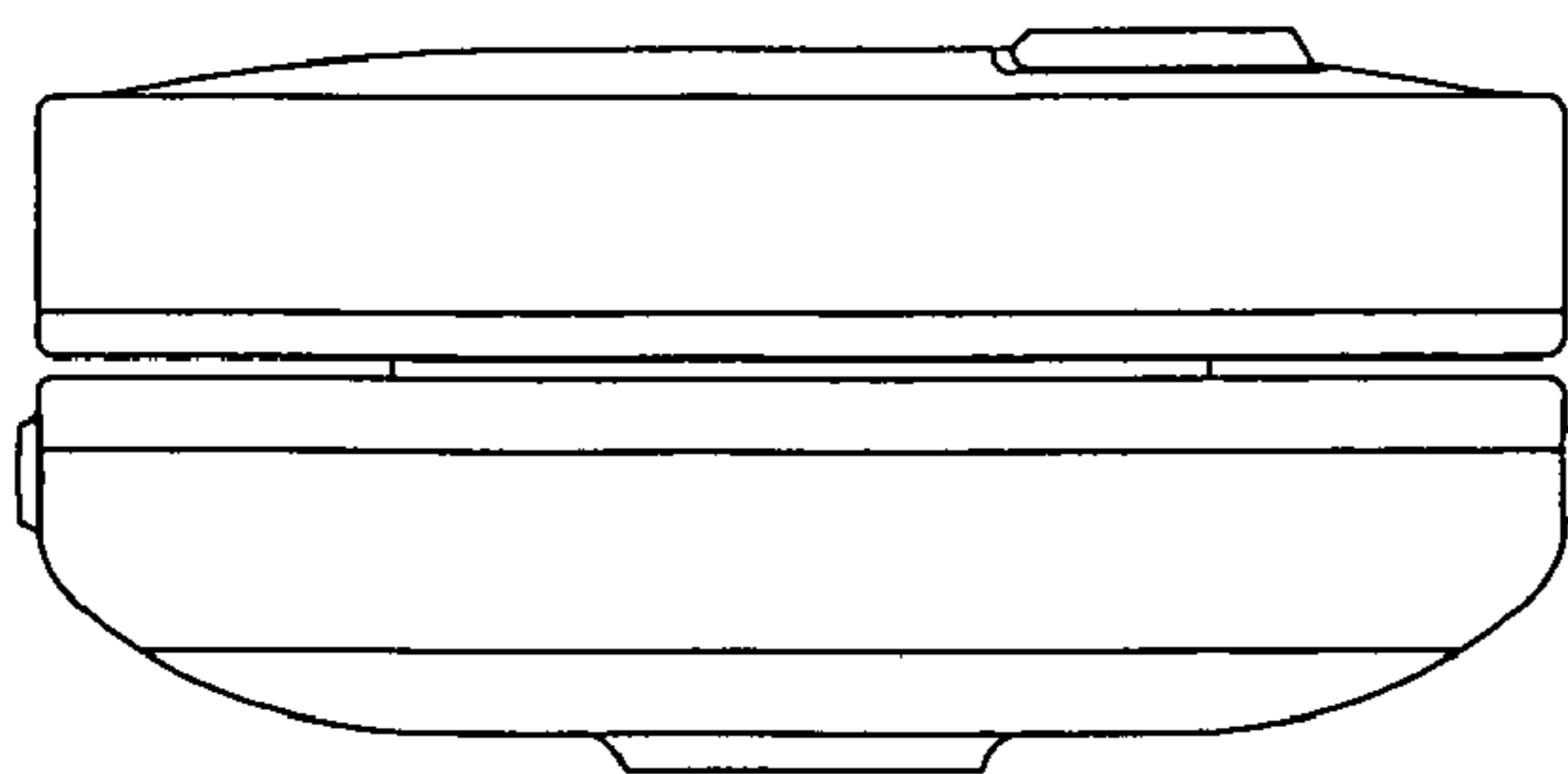


FIG. 8

