



US00D576125S

(12) **United States Design Patent**
Nishizawa

(10) **Patent No.:** **US D576,125 S**
(45) **Date of Patent:** **** Sep. 2, 2008**

(54) **PORTABLE COMMUNICATION DEVICE**

(75) Inventor: **Haruki Nishizawa**, Osaka (JP)

(73) Assignee: **ICOM Incorporated**, Osaka (JP)

(**) Term: **14 Years**

(21) Appl. No.: **29/272,410**

(22) Filed: **Feb. 8, 2007**

(30) **Foreign Application Priority Data**

Sep. 14, 2006 (JP) 2006-024607

(51) **LOC (8) Cl.** **14-03**

(52) **U.S. Cl.** **D14/137**

(58) **Field of Classification Search** D14/137-138,
D14/144, 188, 147-148, 155, 159, 191-192,
D14/194, 240, 197-198, 358, 225, 247-248,
D14/383-385, 417, 496; 379/433.01, 420.01-420.04,
379/419, 440, 428.01-428.04; D10/104-106;
340/573.1, 573.3-573.4; 361/814; 455/90.2-90.3,
455/347-349, 351, 556.1, 575.1
See application file for complete search history.

(56) **References Cited**

U.S. PATENT DOCUMENTS

D295,404 S * 4/1988 Tokiyama D14/137
D348,664 S * 7/1994 Imazeki D14/137
5,487,181 A * 1/1996 Dailey et al. 455/90.2
D379,092 S * 5/1997 Richards et al. D14/137
D384,345 S * 9/1997 Lindeman et al. D14/137
D385,269 S * 10/1997 Kim D14/137
D385,270 S * 10/1997 Yahaya D14/137
D393,638 S * 4/1998 Page et al. D14/137

5,752,205 A * 5/1998 Dzung et al. 455/575.1
D416,252 S * 11/1999 Haase et al. D14/137
D436,939 S * 1/2001 Nagano et al. D14/138
D490,064 S * 5/2004 Yi D14/137
D540,764 S * 4/2007 Kaner et al. D14/137

OTHER PUBLICATIONS

Superb FM Hand-held Transceivers, <URL:http://www.allproducts.com/manufacture9/longpone/04-uhf.html>, retrieved from internet Nov. 17, 2007.*

* cited by examiner

Primary Examiner—Ian Simmons

Assistant Examiner—Carla Wright

(74) *Attorney, Agent, or Firm*—Wenderoth, Lind & Ponack, L.L.P.

(57) **CLAIM**

The ornamental design for a portable communication device, as shown and described.

DESCRIPTION

FIG. 1 is a front view of a portable communication device in accordance with the present design;

FIG. 2 is a back view thereof;

FIG. 3 is a right side view thereof;

FIG. 4 is a left side view thereof;

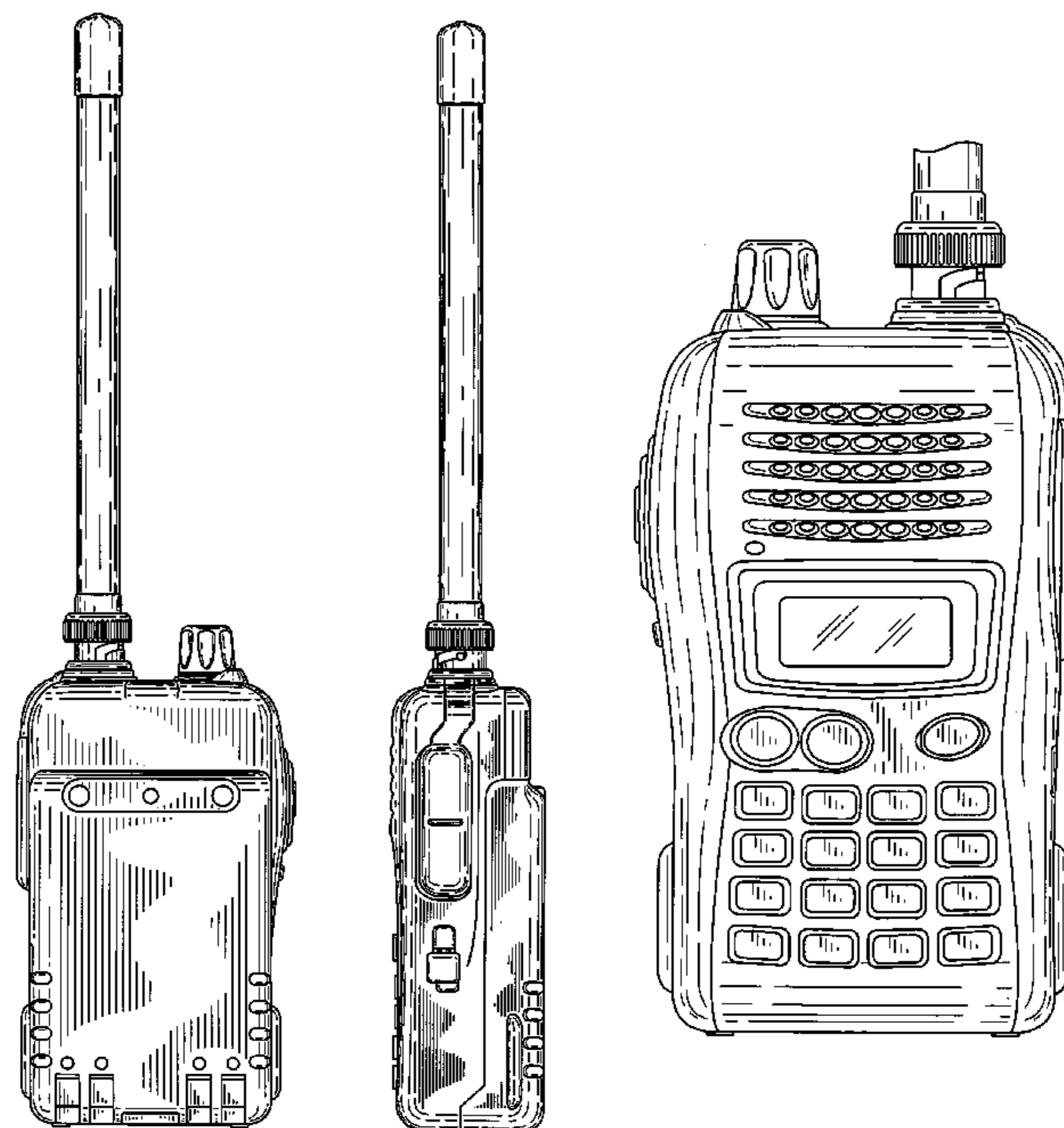
FIG. 5 is a top view thereof;

FIG. 6 is a bottom view thereof;

FIG. 7 is a perspective view thereof; and,

FIG. 8 is an enlarged front view thereof shown with a portion of the antenna removed for ease of illustration.

1 Claim, 7 Drawing Sheets



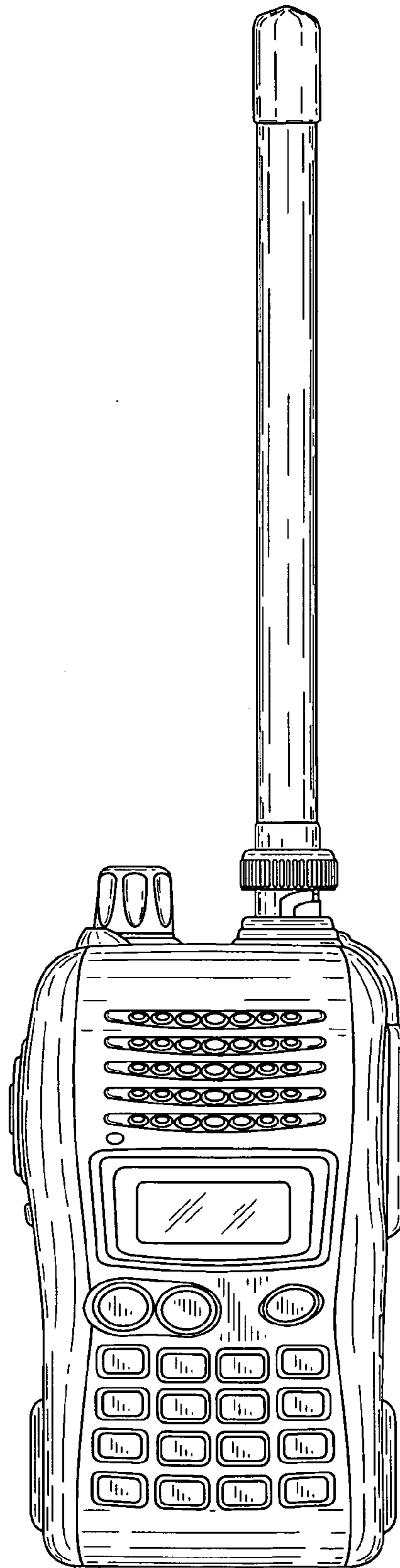


FIG. 1

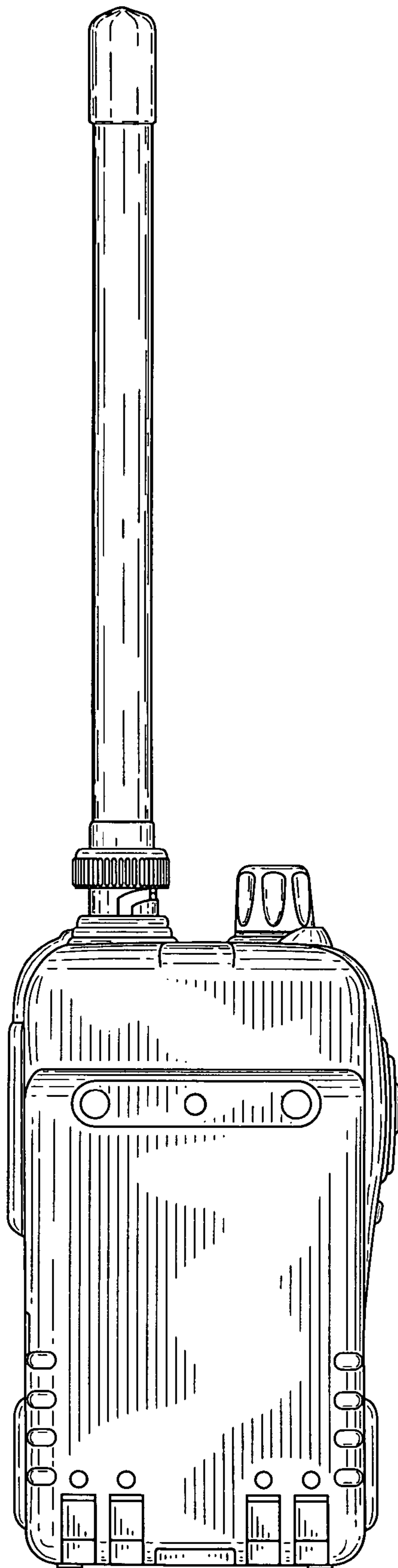


FIG. 2

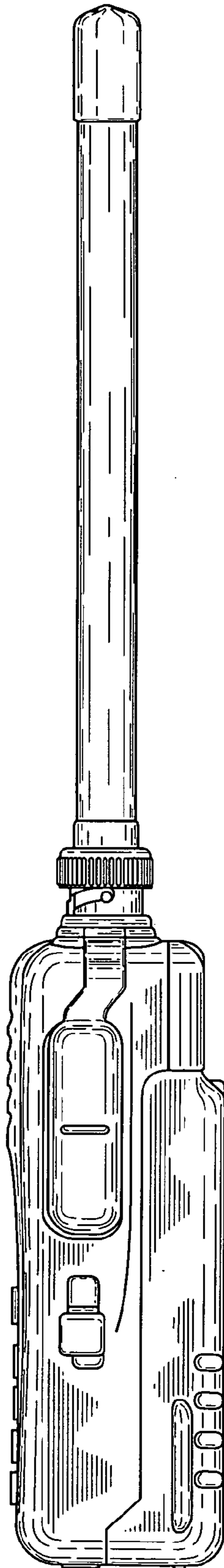


FIG. 3

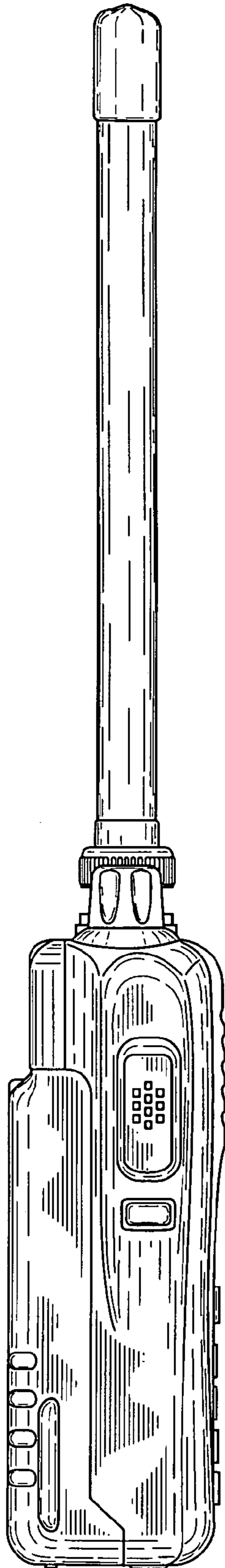


FIG. 4

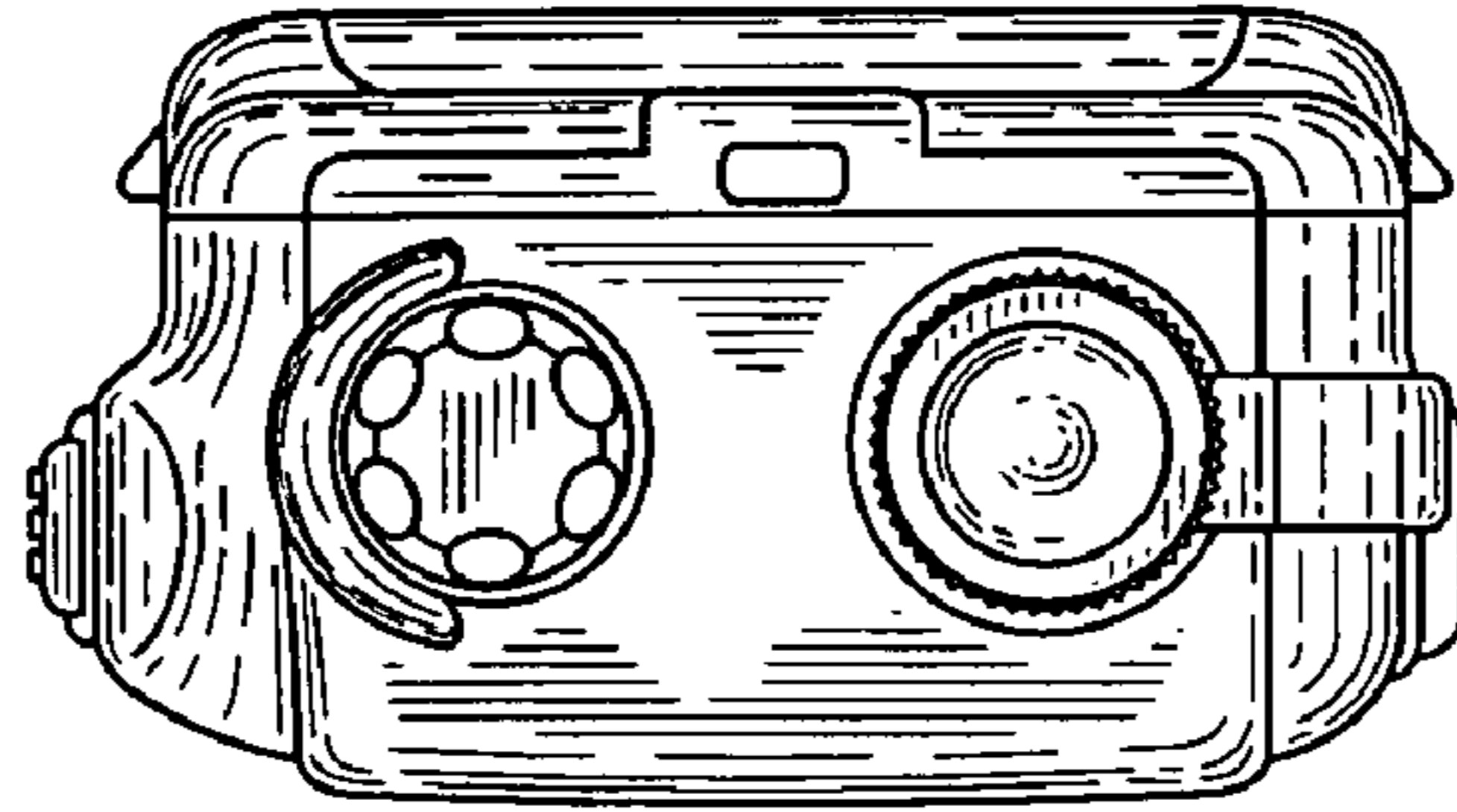


FIG. 5

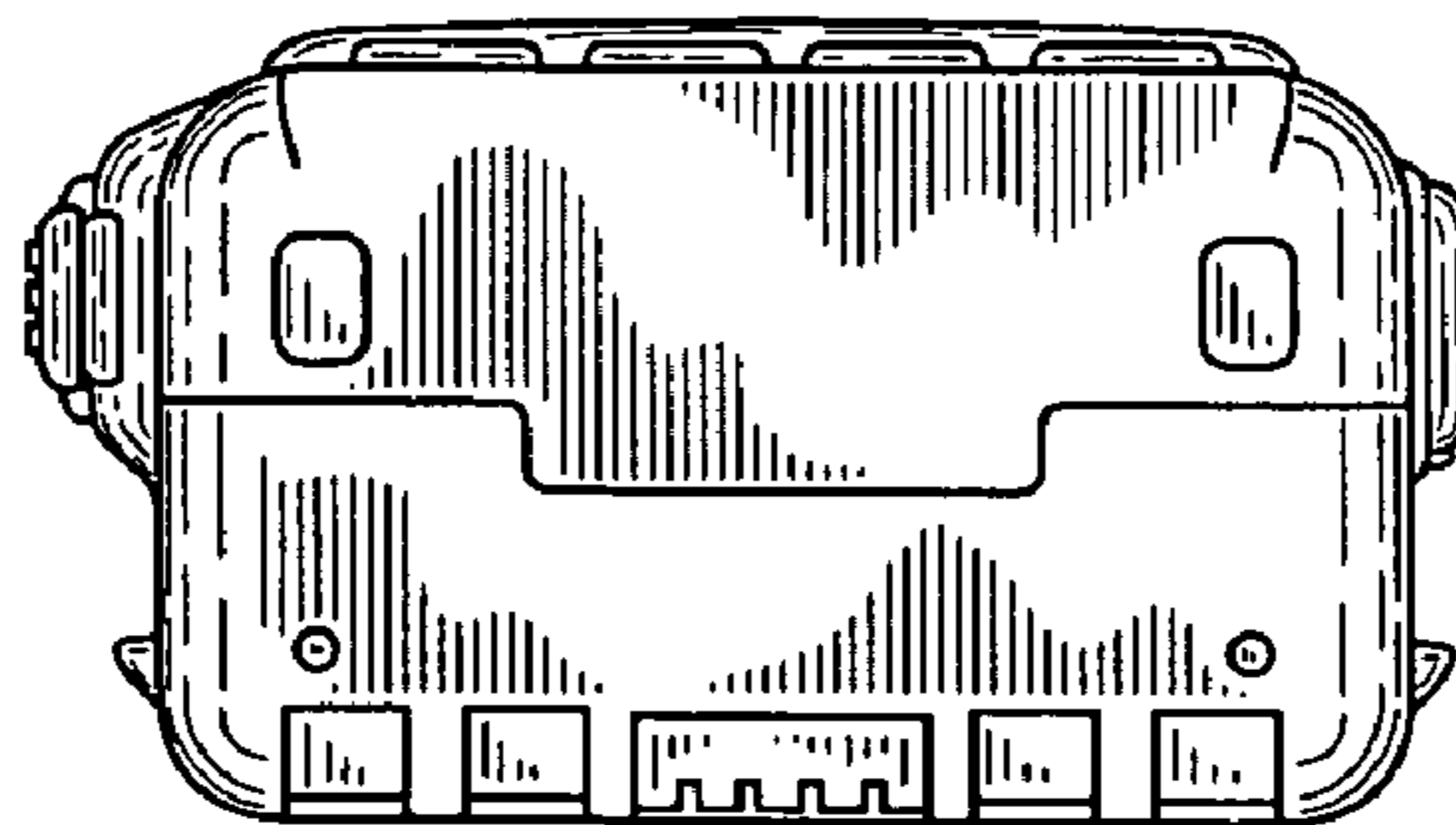


FIG. 6

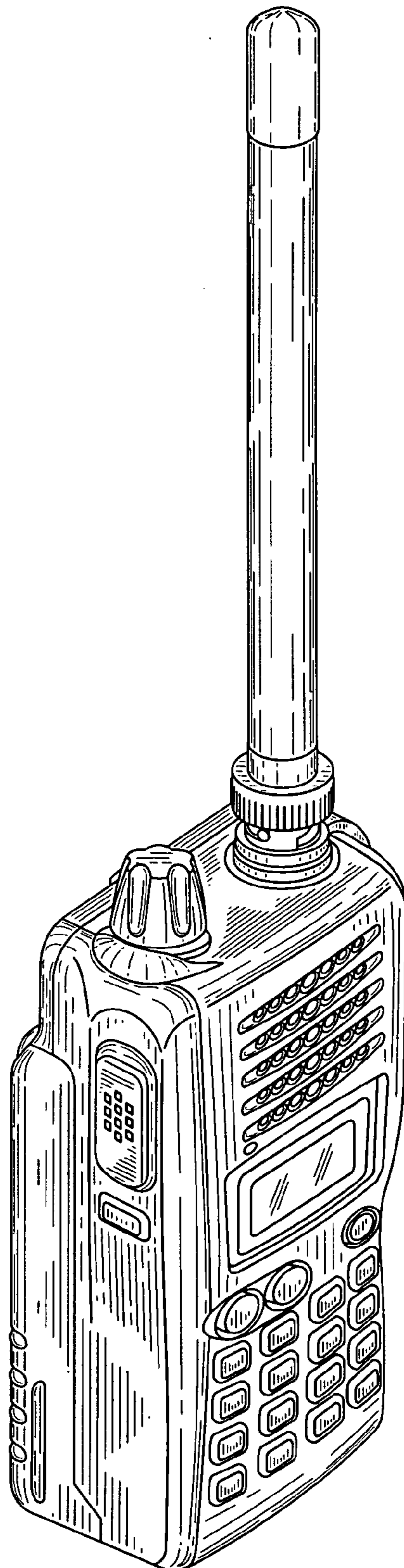


FIG. 7

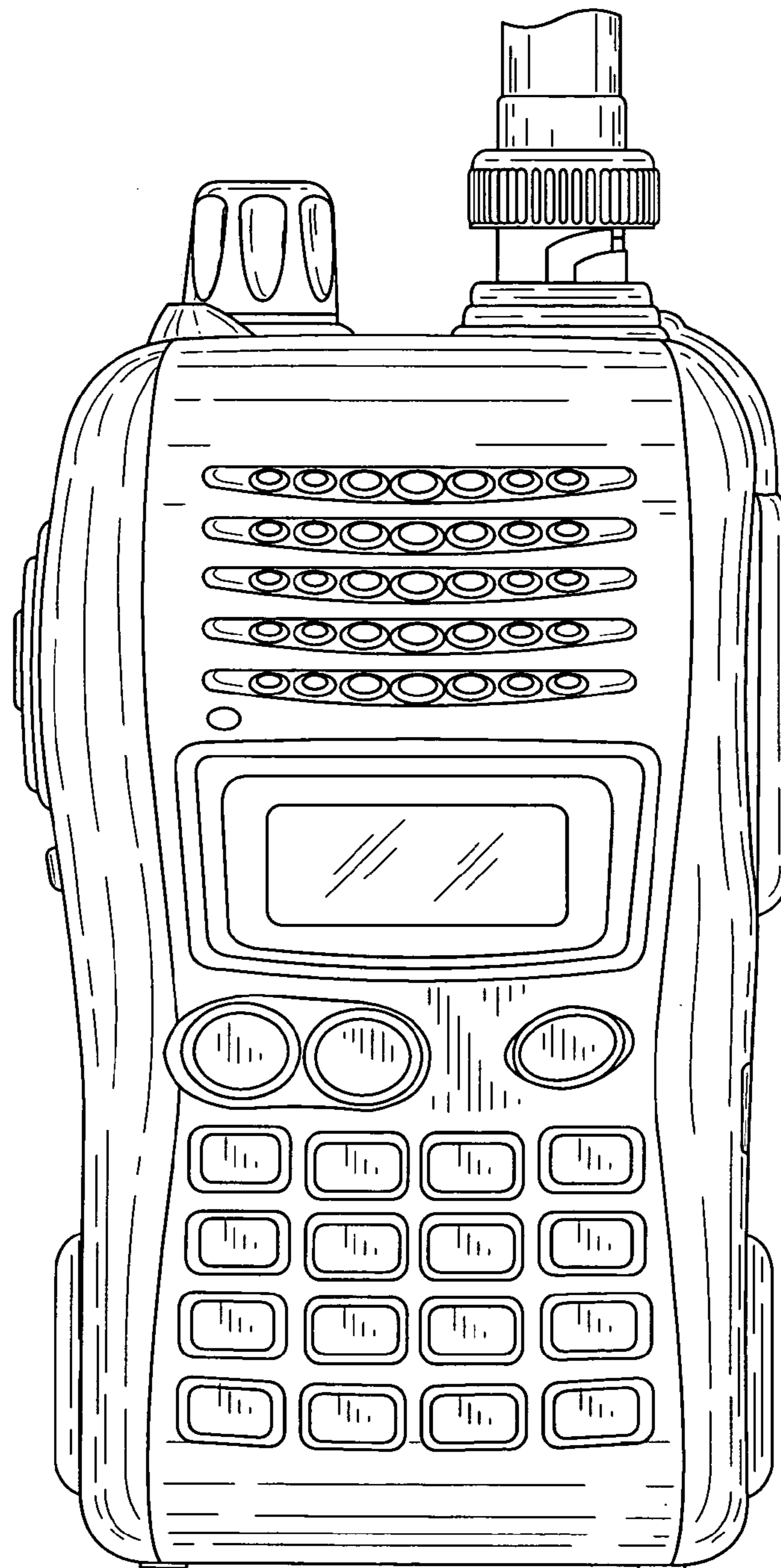


FIG. 8