



US00D576123S

(12) **United States Design Patent**  
**Devenish, III et al.**

(10) **Patent No.:** **US D576,123 S**  
(45) **Date of Patent:** **\*\* Sep. 2, 2008**

(54) **RADIO**

(75) Inventors: **William R. Devenish, III**, Ontario, NY (US); **Joshua Storm Gannon**, Fairport, NY (US); **Joe Scippo**, Rochester, NY (US)

(73) Assignee: **Harris Corporation**, Melbourne, FL (US)

(\*\*) Term: **14 Years**

(21) Appl. No.: **29/241,413**

(22) Filed: **Oct. 27, 2005**

(51) **LOC (8) Cl.** ..... **14-03**

(52) **U.S. Cl.** ..... **D14/137**

(58) **Field of Classification Search** ..... D14/137-138, D14/144, 147-148, 155, 159, 188, 191-192, D14/194-195, 218, 240, 197-198, 358, 225, D14/247-248, 383-385, 417, 496; 379/433.01, 379/420.01-420.04, 419, 440, 428.01-428.04; D10/104-106; 340/539.11, 573.1, 573.3-573.4; 361/814; 455/90.2-90.3, 347-349, 351, 455/556.1-556.2, 566, 575.1; D21/517  
See application file for complete search history.

(56) **References Cited**

**U.S. PATENT DOCUMENTS**

D202,109 S \* 8/1965 de Kam ..... D14/137  
D242,282 S \* 11/1976 Kawano ..... D14/137  
4,856,088 A \* 8/1989 Oliwa et al. .... 455/349  
D309,451 S \* 7/1990 Nagele ..... D14/137  
D310,664 S \* 9/1990 Murphy ..... D14/137

D341,137 S \* 11/1993 Hattori ..... D14/137  
D347,425 S \* 5/1994 Culbertson et al. .... D14/137  
D347,427 S \* 5/1994 Culbertson et al. .... D14/137  
D406,584 S \* 3/1999 Nagai ..... D14/137  
D490,786 S \* 6/2004 Richards et al. .... D14/137  
D496,346 S \* 9/2004 Fuss et al. .... D14/188  
D553,586 S \* 10/2007 Devenish et al. .... D13/184  
2007/0094508 A1 \* 4/2007 Palum et al. .... 713/176

\* cited by examiner

*Primary Examiner*—Ian Simmons

*Assistant Examiner*—Carla Wright

(74) *Attorney, Agent, or Firm*—Allen Dyer Doppelt Milbrath & Gilchrist

(57) **CLAIM**

The ornamental design for a radio, as shown and described.

**DESCRIPTION**

FIG. 1 is a rear perspective view of a radio showing our new design;

FIG. 2 is a left side elevational view thereof;

FIG. 3 is a right side elevational view thereof;

FIG. 4 is a front elevational view thereof;

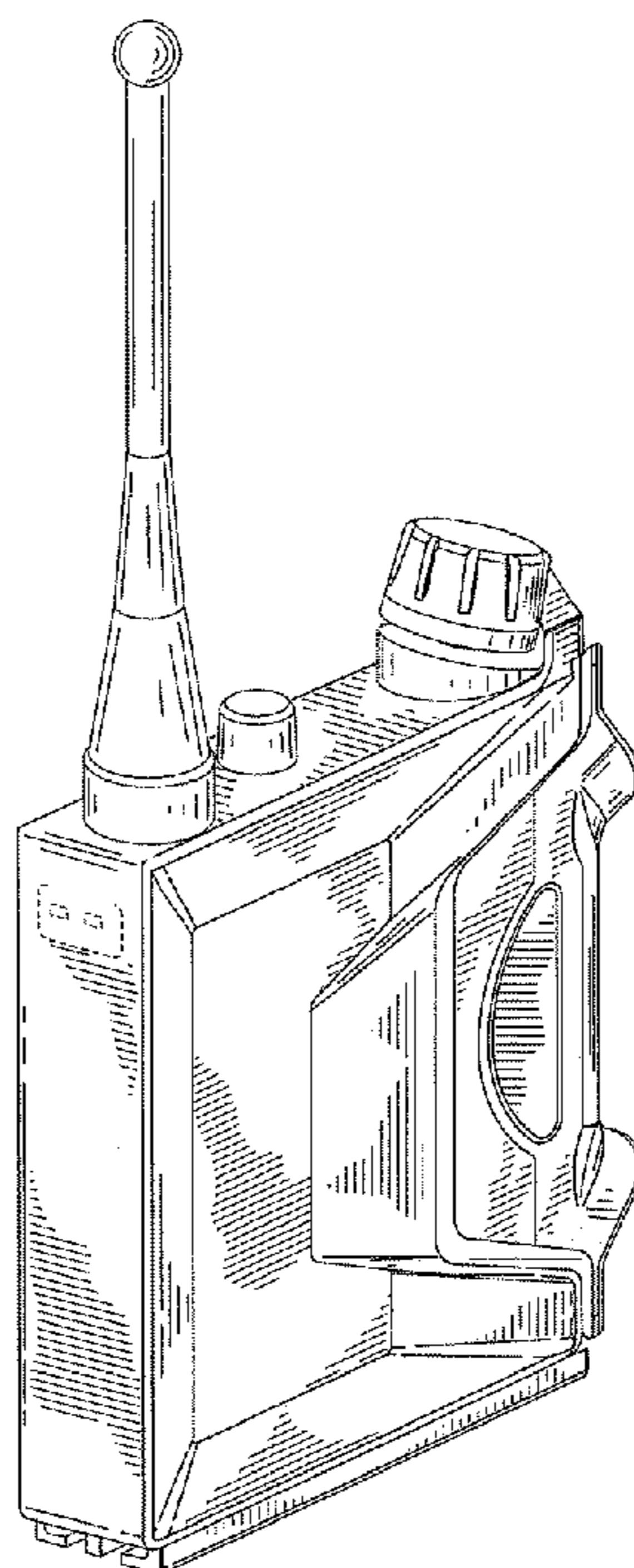
FIG. 5 is a rear elevational view thereof;

FIG. 6 is a top plan view thereof; and,

FIG. 7 is a bottom plan view thereof.

The broken line showing of environmental structures is for illustrative purposes only and forms no part of the claimed design.

**1 Claim, 5 Drawing Sheets**



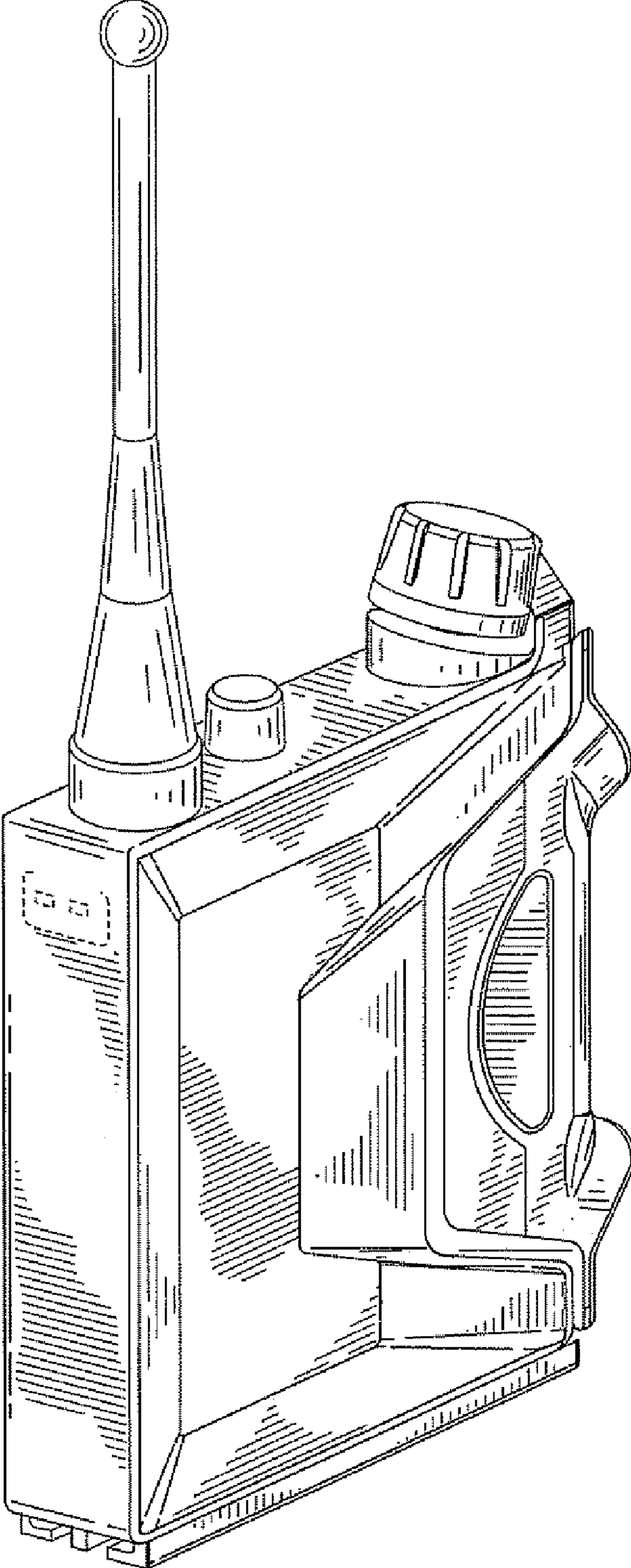


FIG. 1

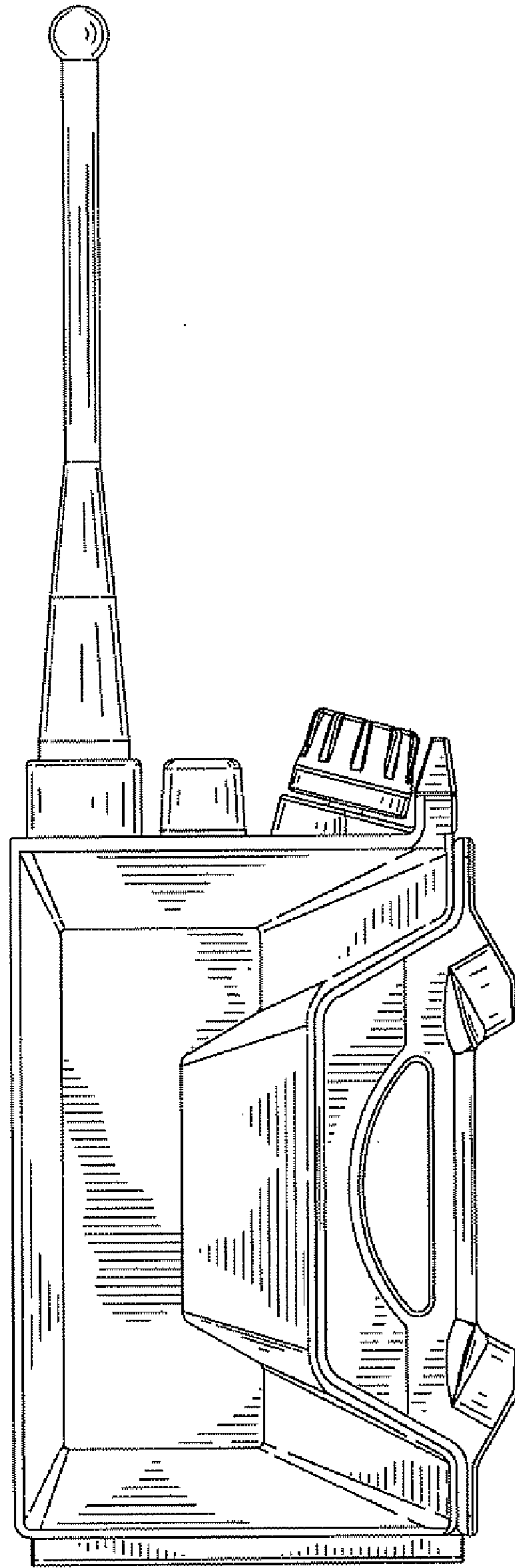


FIG. 2

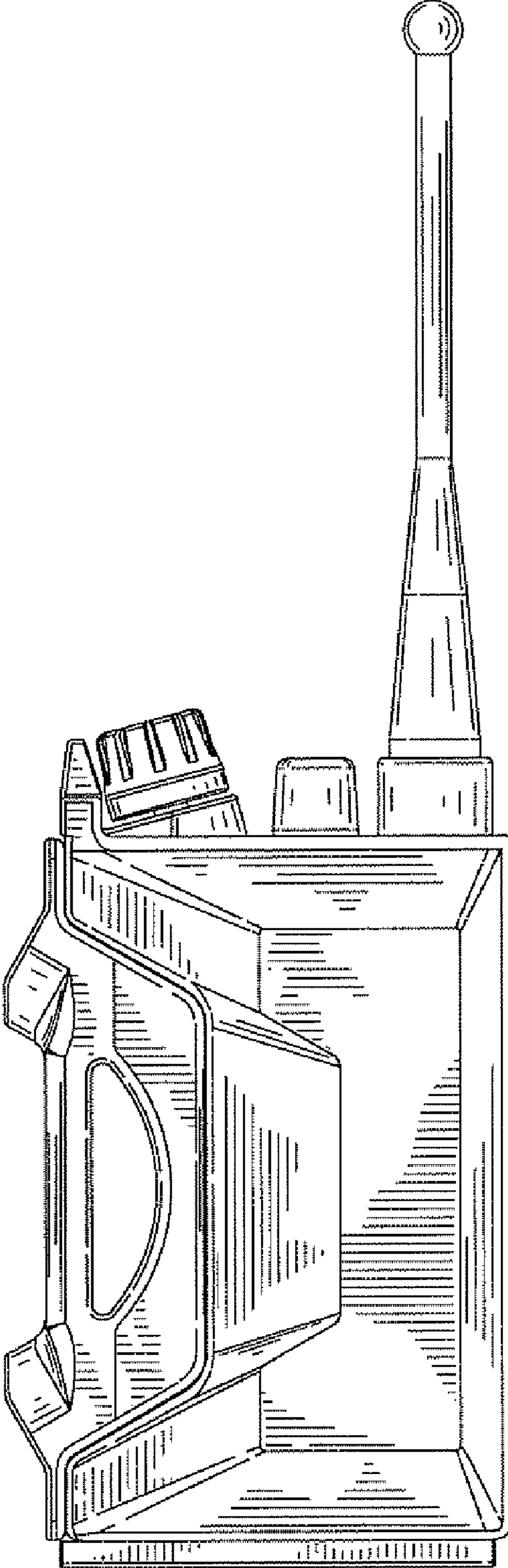


FIG. 3

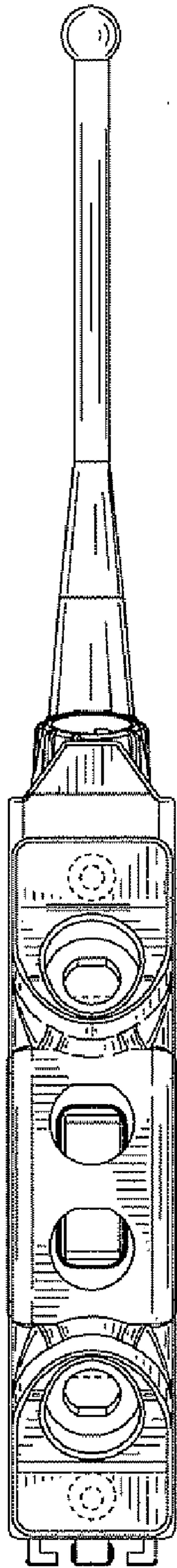


FIG. 4

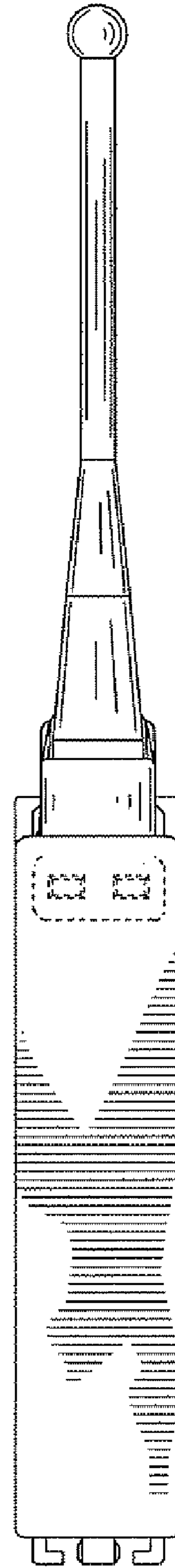
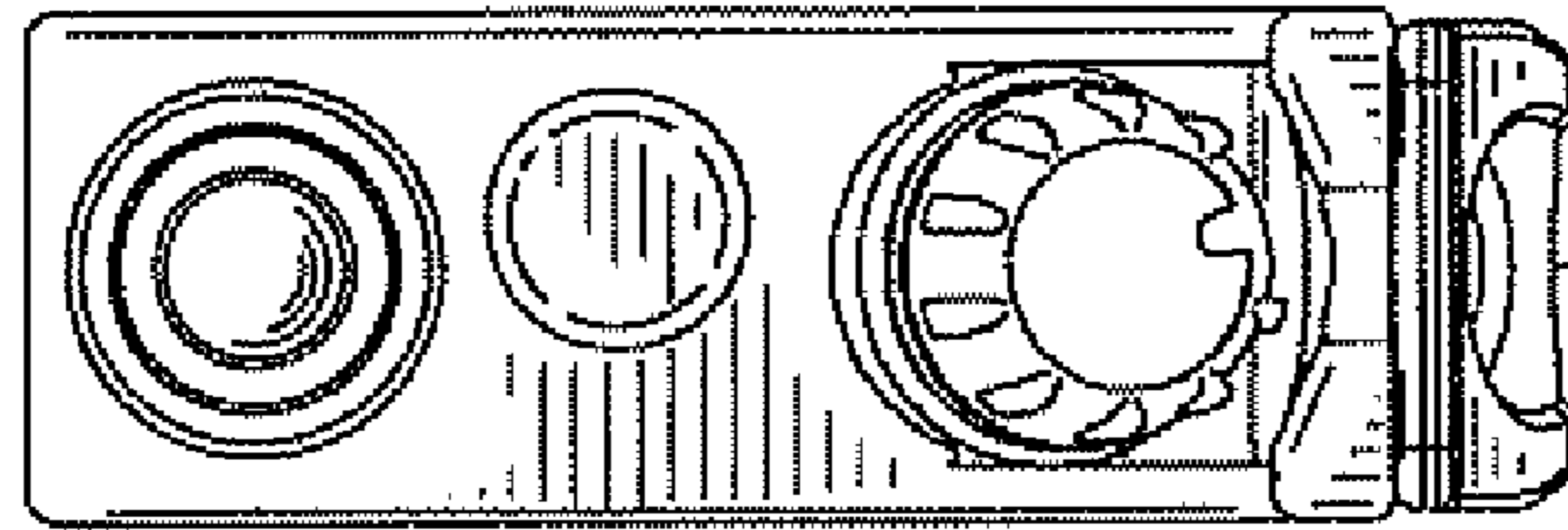
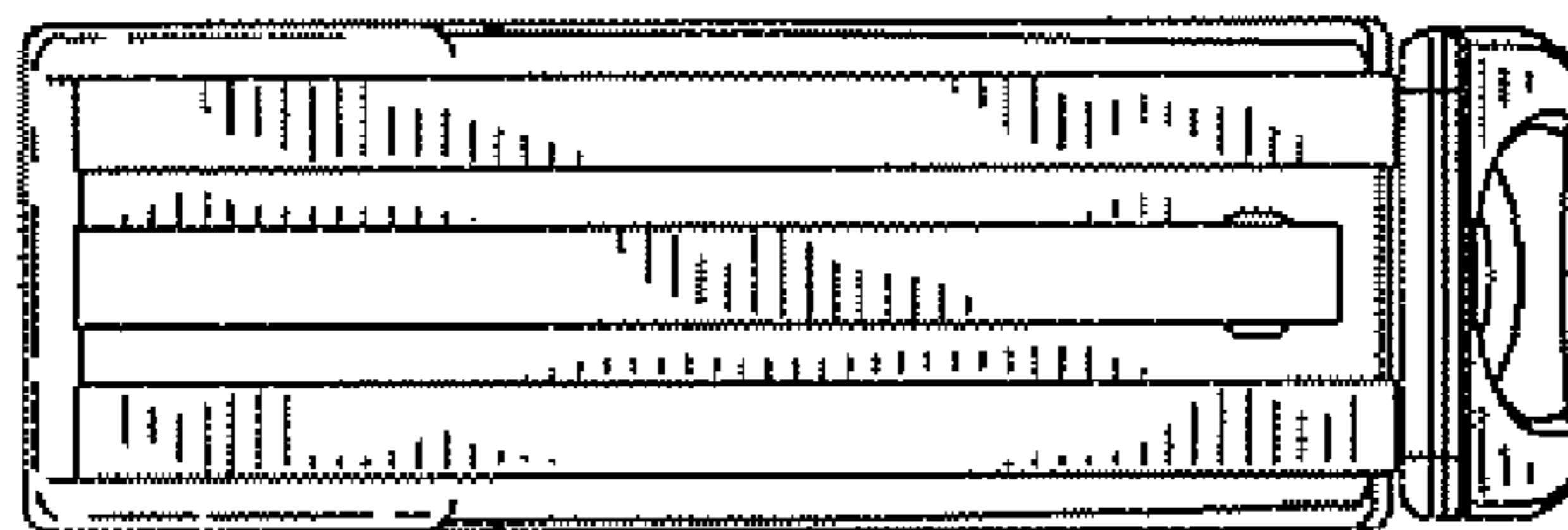


FIG. 5



**FIG. 6**



**FIG. 7**