



US00D576120S

(12) **United States Design Patent**
Lin

(10) **Patent No.:** **US D576,120 S**
(45) **Date of Patent:** **** Sep. 2, 2008**

(54) **TELEVISION SET**

(75) Inventor: **Roger Lin**, Taipei (TW)

(73) Assignee: **Hannspree, Inc.**, Taipei (TW)

(**) Term: **14 Years**

(21) Appl. No.: **29/287,765**

(22) Filed: **Sep. 17, 2007**

(30) **Foreign Application Priority Data**

Jul. 16, 2007 (TW) 96303923

(51) **LOC (8) Cl.** **14-03**

(52) **U.S. Cl.** **D14/126**

(58) **Field of Classification Search** D14/125-134,
D14/239, 371, 136, 374-377, 440, 450, 448,
D14/336, 342; 312/7.2; 348/836, 838, 180,
348/184, 325, 739; 341/12; 248/917-924,
248/465; 345/104, 133, 156, 168, 87, 173;
720/605, 669, 600, 655; 369/99, 197; 455/344,
455/347; D21/329, 515, 517, 622, 333, 433,
D21/448, 452, 450, 331; D6/477, 479; 273/148 B;
446/484, 175, 356; D10/15, 26
See application file for complete search history.

(56) **References Cited**

U.S. PATENT DOCUMENTS

5,072,998 A * 12/1991 Oh 312/204

5,564,209 A * 10/1996 Zagnoli 273/148 B
6,159,101 A * 12/2000 Simpson 463/46
6,558,225 B1 * 5/2003 Rehkemper et al. 446/484
D500,099 S * 12/2004 Gioffre D21/627
D503,159 S * 3/2005 Esslinger et al. D14/129
D511,345 S * 11/2005 Heatherly et al. D14/371
D520,473 S * 5/2006 Hoehn et al. D14/126
D536,676 S * 2/2007 Ng et al. D14/126

* cited by examiner

Primary Examiner—Raphael Barkai

(74) *Attorney, Agent, or Firm*—Ming Chow; Sinorica, LLC

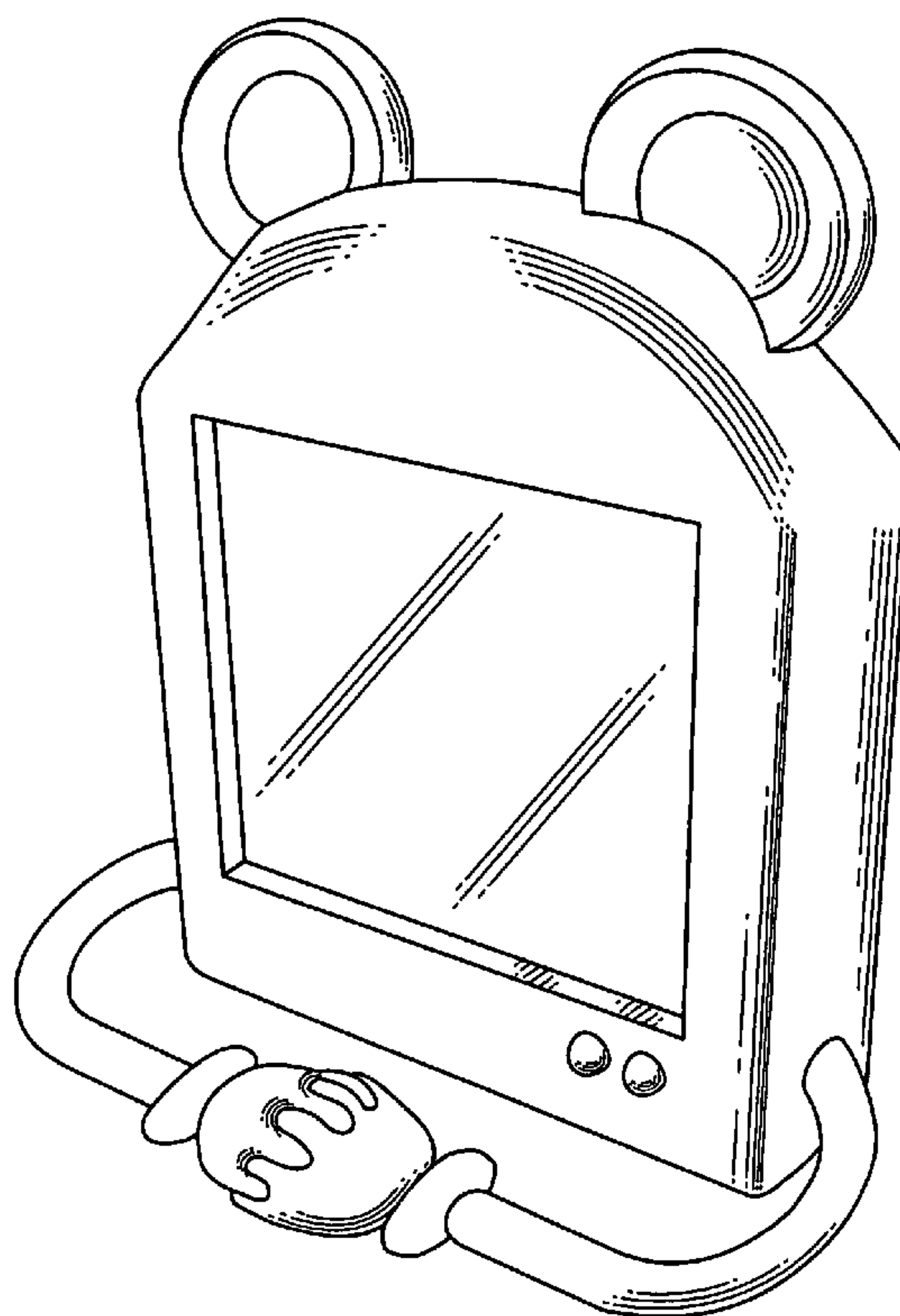
(57) **CLAIM**

The ornamental design for a television set, as shown and described.

DESCRIPTION

FIG. 1. is a perspective view thereof;
FIG. 2. is a front elevational view thereof;
FIG. 3. is a rear elevational view thereof;
FIG. 4. is a left side elevational view thereof;
FIG. 5. is a right side elevational view thereof;
FIG. 6. is a top plan view thereof; and,
FIG. 7. is a bottom plan view thereof.

1 Claim, 7 Drawing Sheets



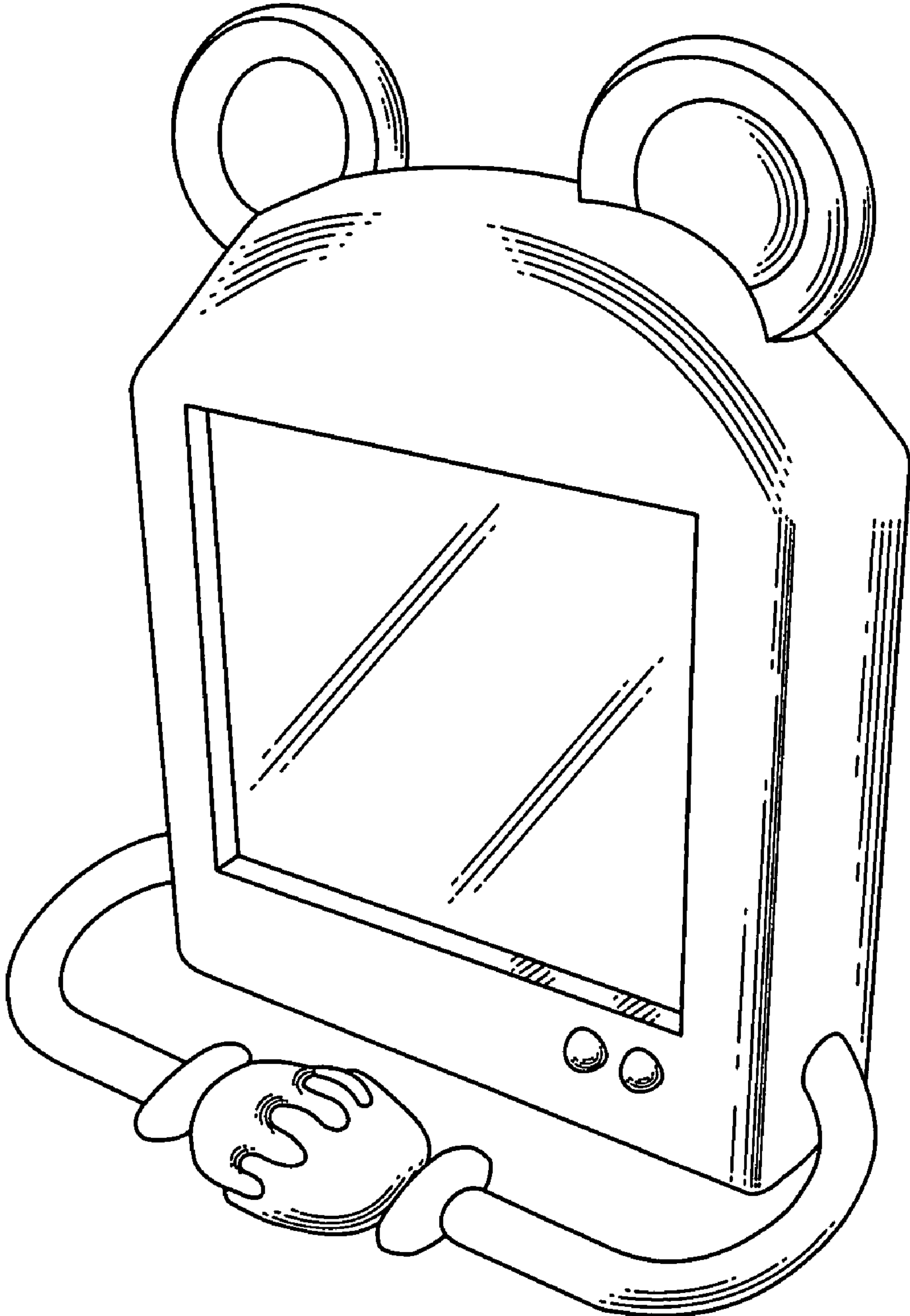


FIG. 1

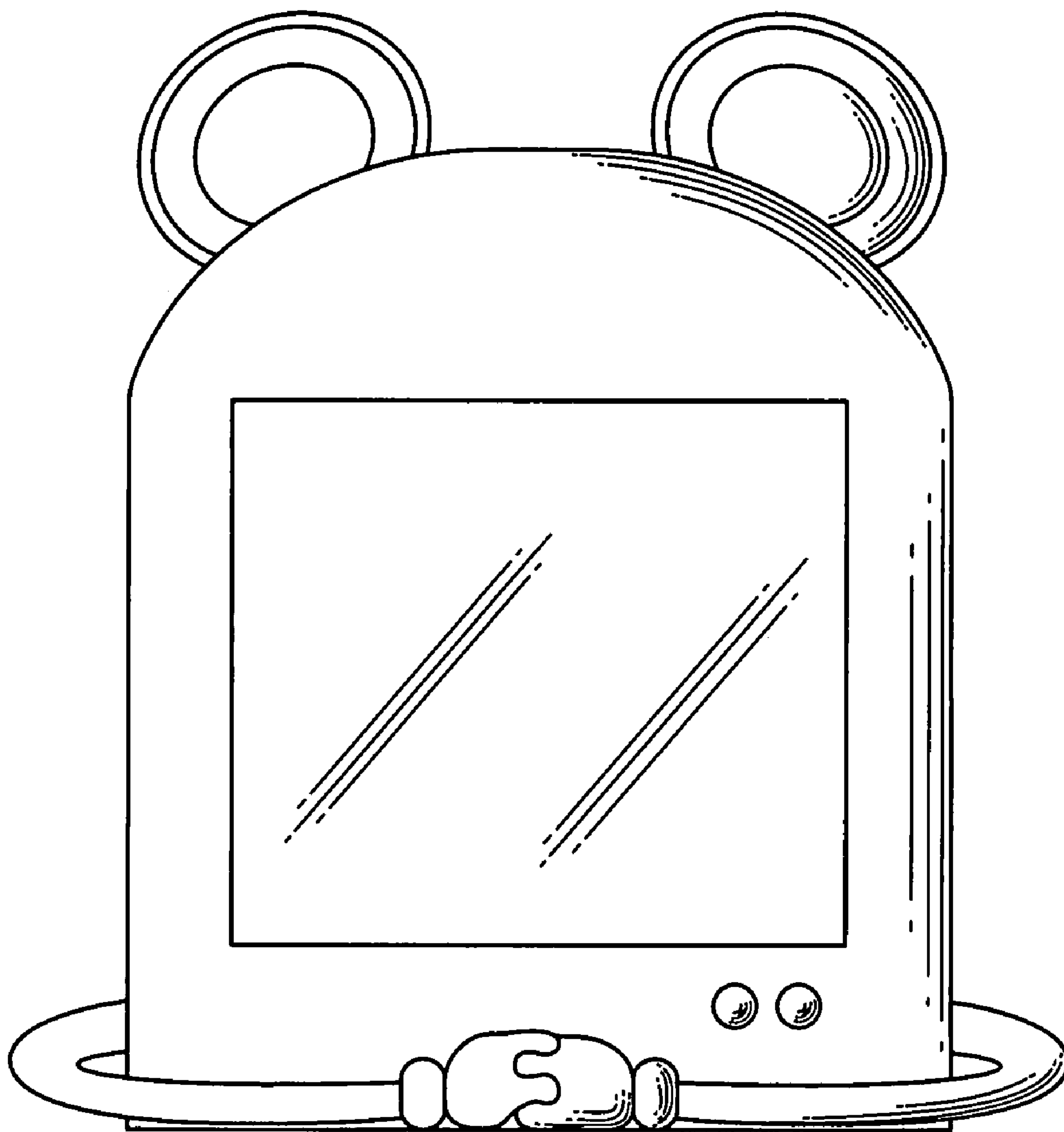


FIG. 2

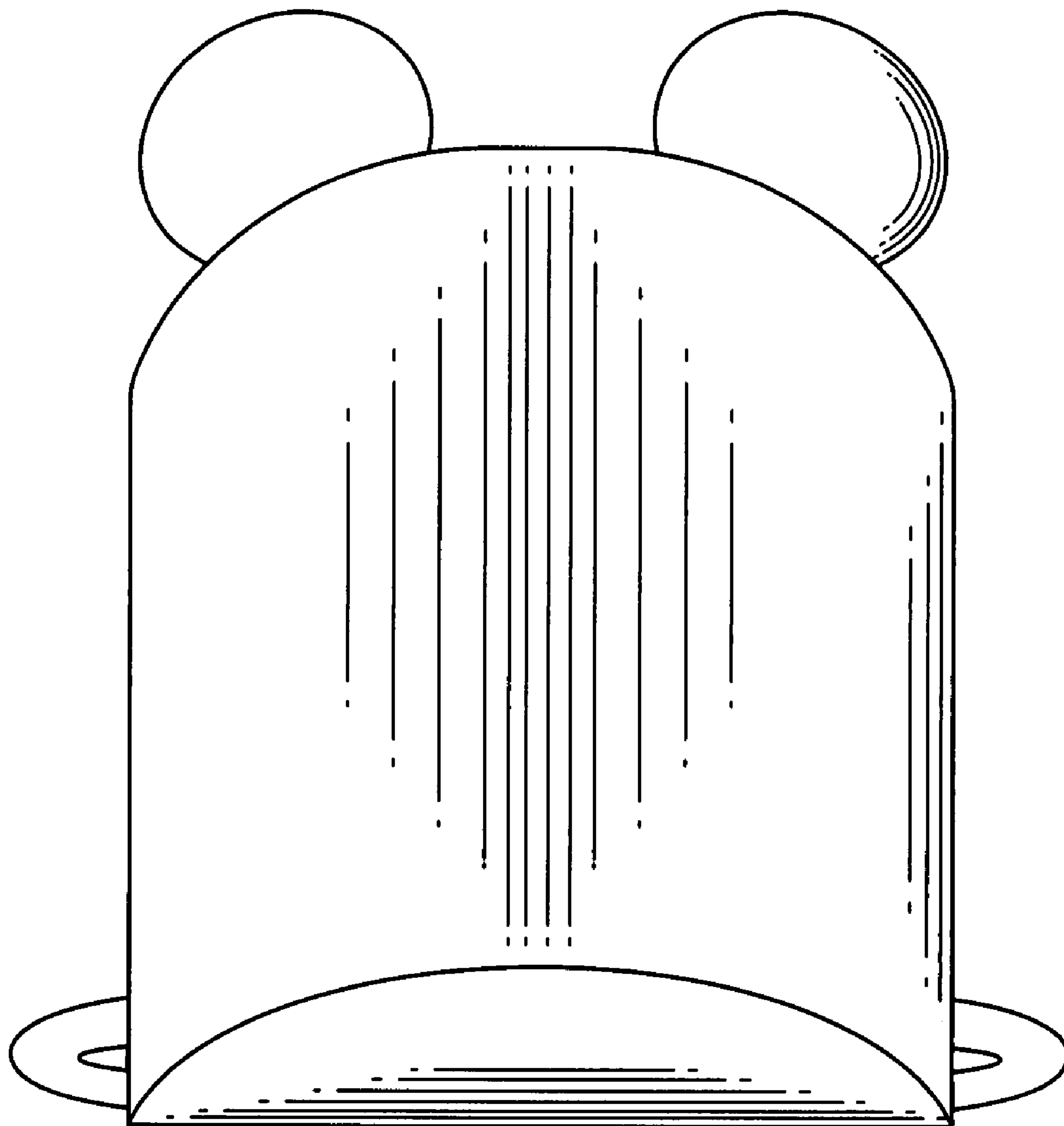


FIG. 3

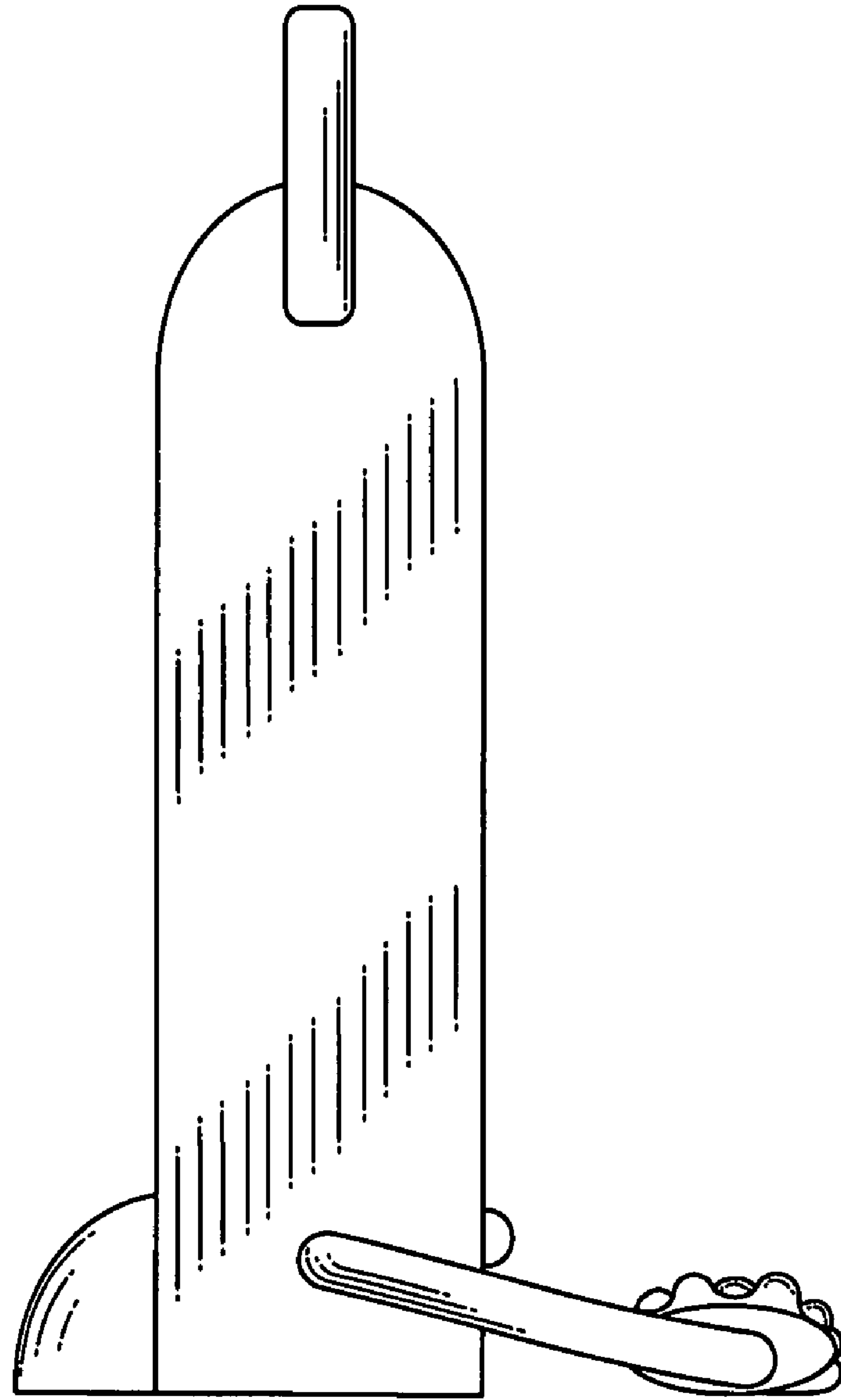


FIG. 4

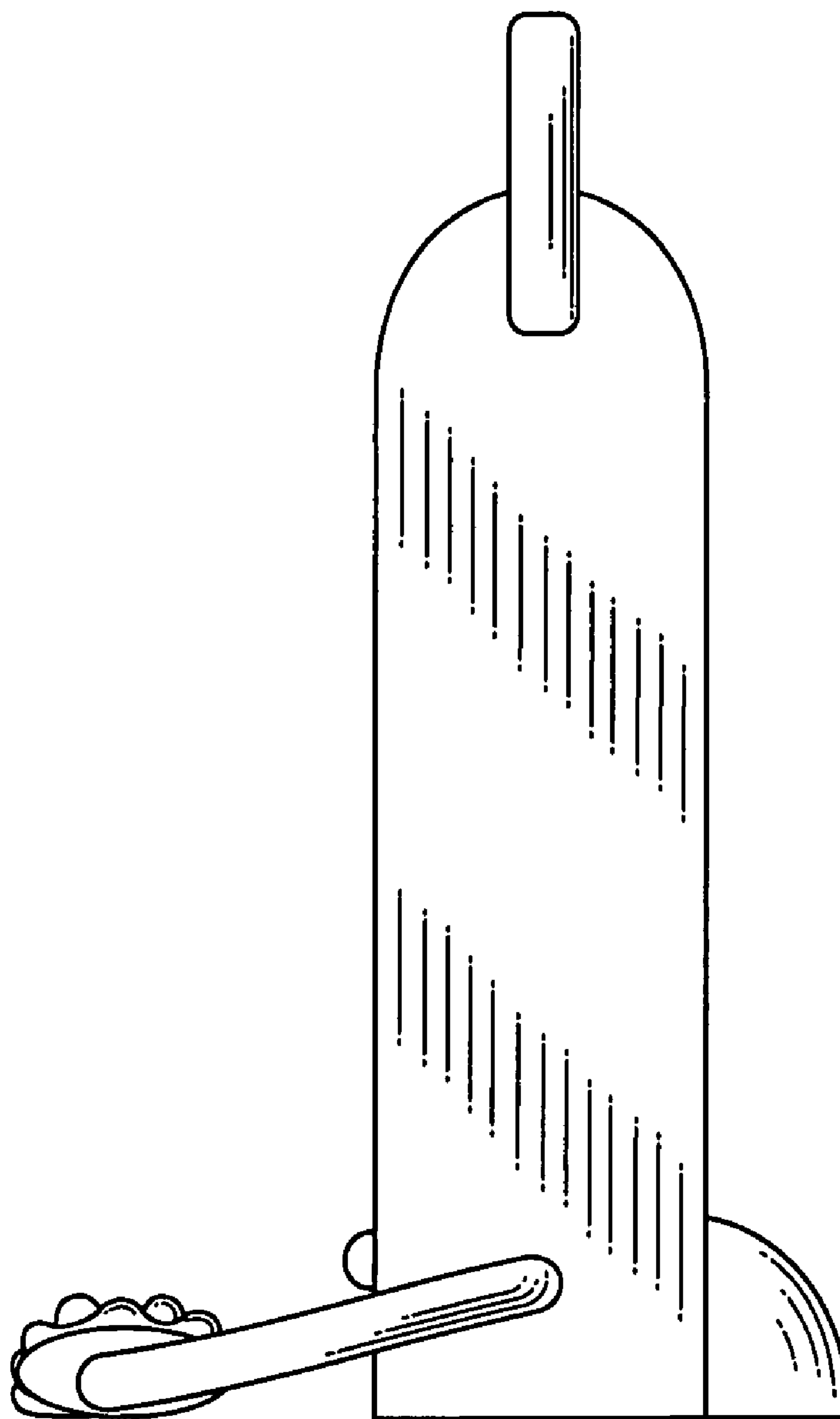


FIG. 5

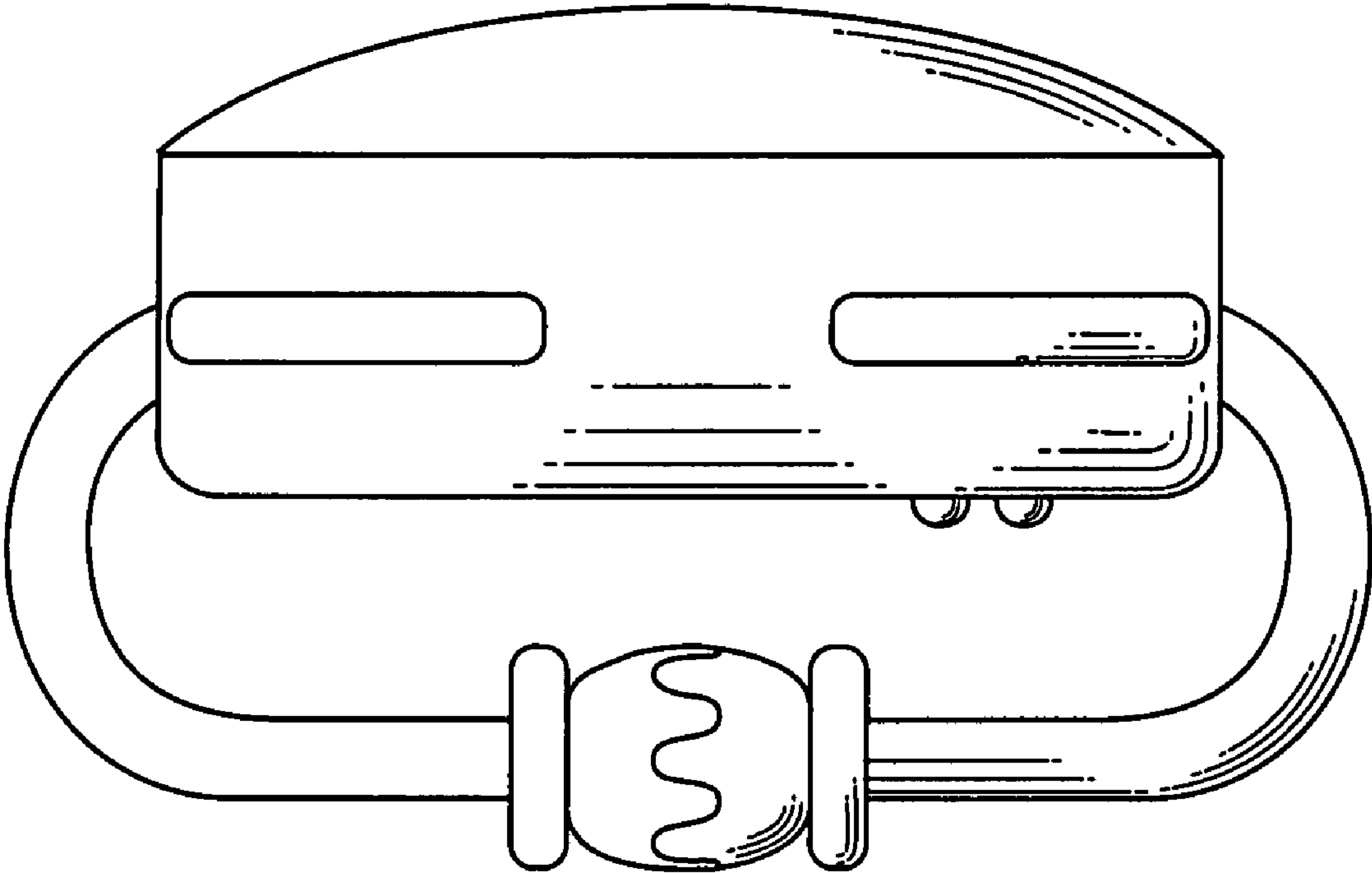


FIG. 6

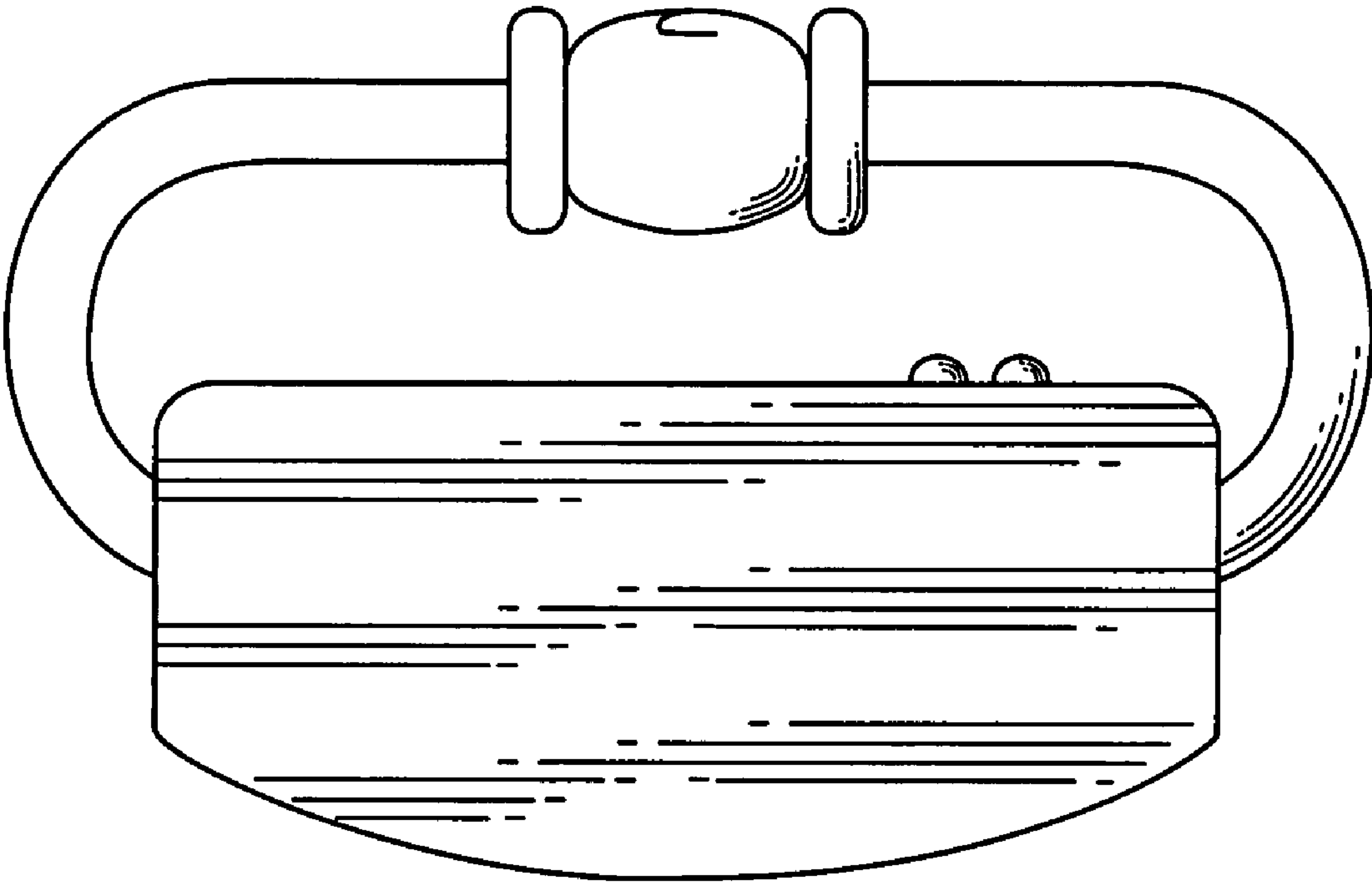


FIG. 7