



US00D576119S

(12) **United States Design Patent**
Shih et al.

(10) **Patent No.:** **US D576,119 S**
(45) **Date of Patent:** **** Sep. 2, 2008**

(54) **DISPLAY**

(75) Inventors: **Wei-Ming Shih**, Chung Ho (TW);
Min-Chieh Chai, Chung Ho (TW)

(73) Assignee: **AmTRAN Technology Co., Ltd.**, Taipei (TW)

(**) Term: **14 Years**

(21) Appl. No.: **29/287,674**

(22) Filed: **Sep. 7, 2007**

Related U.S. Application Data

(63) Continuation-in-part of application No. 29/260,765, filed on Jun. 1, 2006, now Pat. No. Des. 555,120.

(51) **LOC (8) Cl.** **14-03**

(52) **U.S. Cl.** **D14/126**

(58) **Field of Classification Search** D14/125-134, D14/239, 371, 136, 374-377, 440, 450, 448, D14/336, 342; 312/7.2; 348/836, 838, 180, 348/184, 325, 739; 341/12; 248/917-924, 248/465; 345/104, 133, 156, 168, 87, 173; 720/605, 669, 600, 655; 369/99, 197; 455/344, 455/347; D21/329, 515, 577, 622, 333, 433, D21/448, 452, 450, 331; D6/477, 479; 273/148 B; 446/484, 175, 356; D10/15, 26

See application file for complete search history.

(56) **References Cited**

U.S. PATENT DOCUMENTS

D474,452 S 5/2003 Kanatani et al.

D483,020 S * 12/2003 Nagao et al. D14/126
D510,730 S 10/2005 Asanuma et al.
D534,880 S 1/2007 Peng et al.
D541,235 S 4/2007 Takami et al.
D543,517 S 5/2007 Chikuma et al.
D555,119 S * 11/2007 Shih D14/126
D562,274 S * 2/2008 Wang D14/126

FOREIGN PATENT DOCUMENTS

JP D1172382 4/2003

* cited by examiner

Primary Examiner—Raphael Barkai

(74) *Attorney, Agent, or Firm*—Rabin & Berdo, P.C.

(57) **CLAIM**

The ornamental design for a “display,” as shown and described.

DESCRIPTION

FIG. 1 is a perspective view of display showing our new design;

FIG. 2 is a front view thereof;

FIG. 3 is a rear view thereof;

FIG. 4 is a left side elevational view thereof;

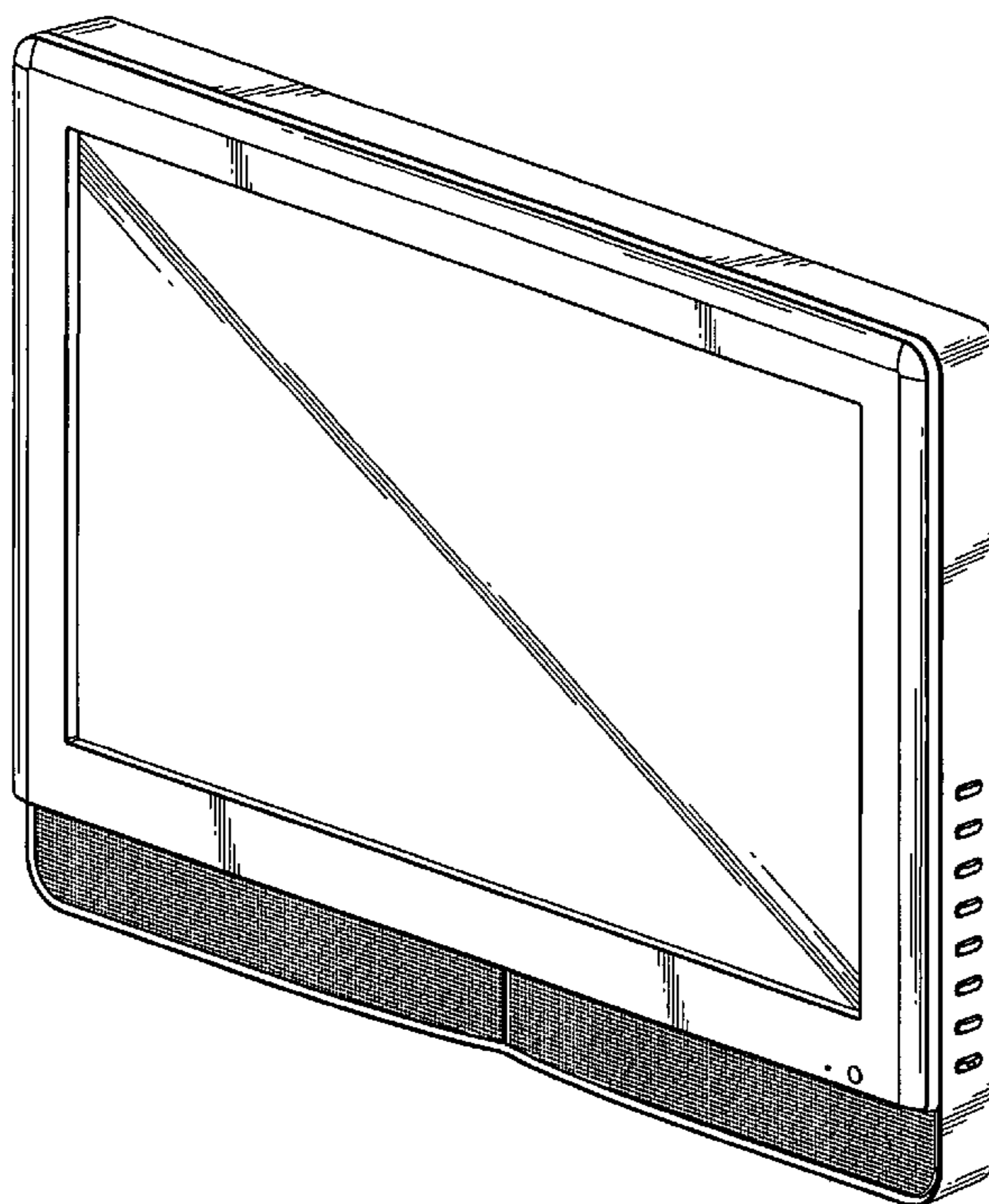
FIG. 5 is a right side elevational view thereof;

FIG. 6 is a top view thereof;

FIG. 7 is a bottom view thereof; and,

FIG. 8 is another perspective view of display showing our new design.

1 Claim, 6 Drawing Sheets



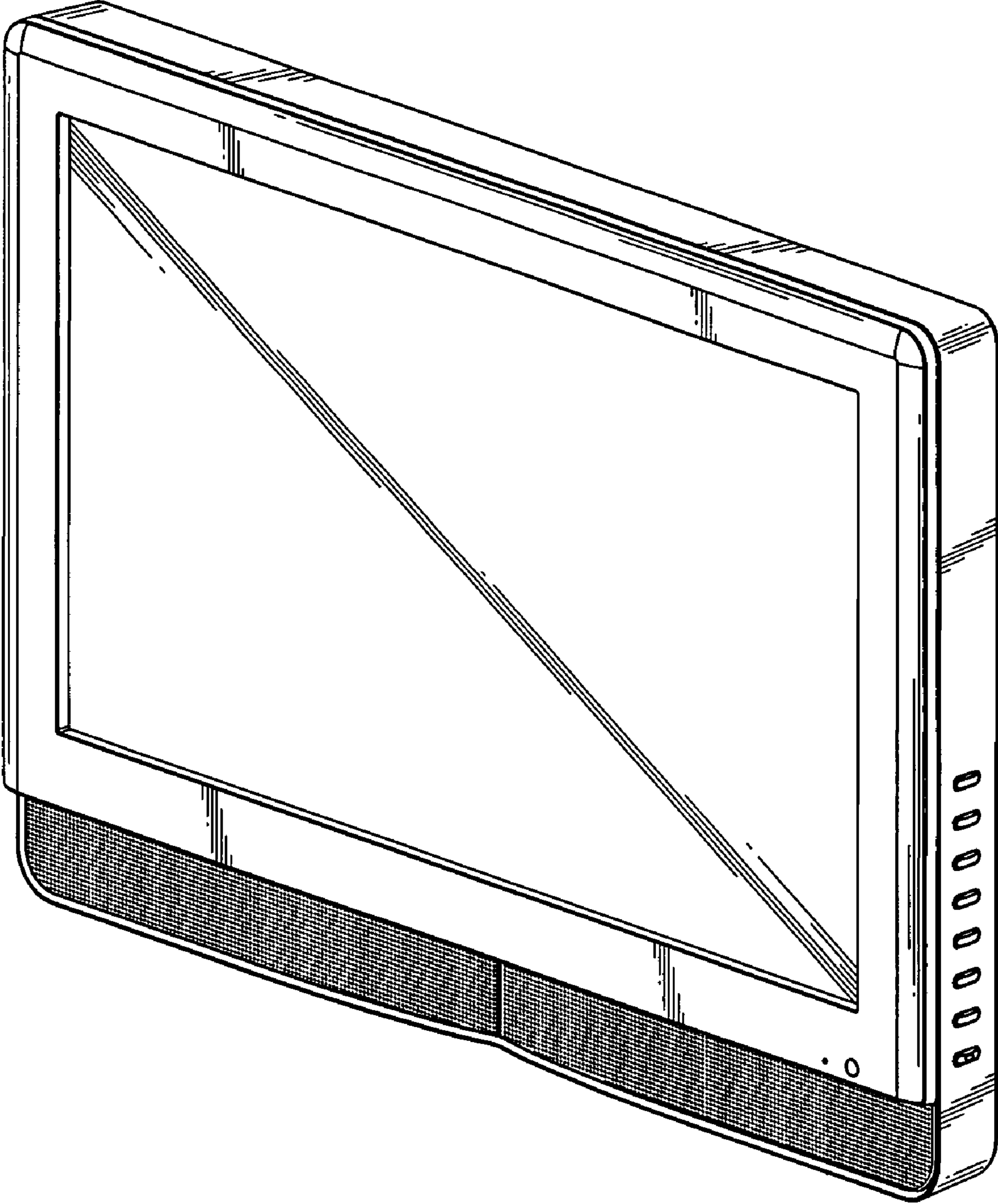


FIG.1

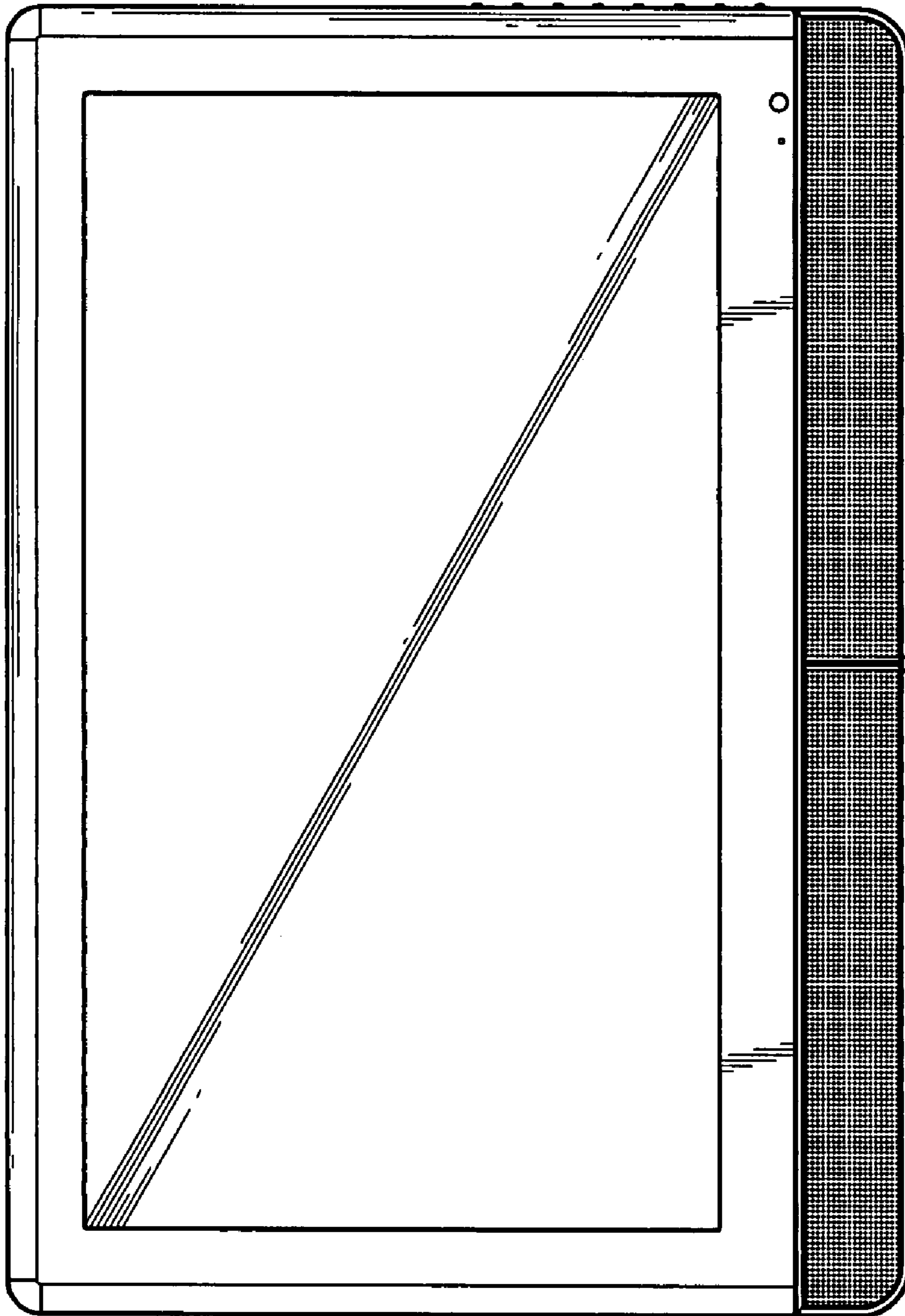


FIG.2

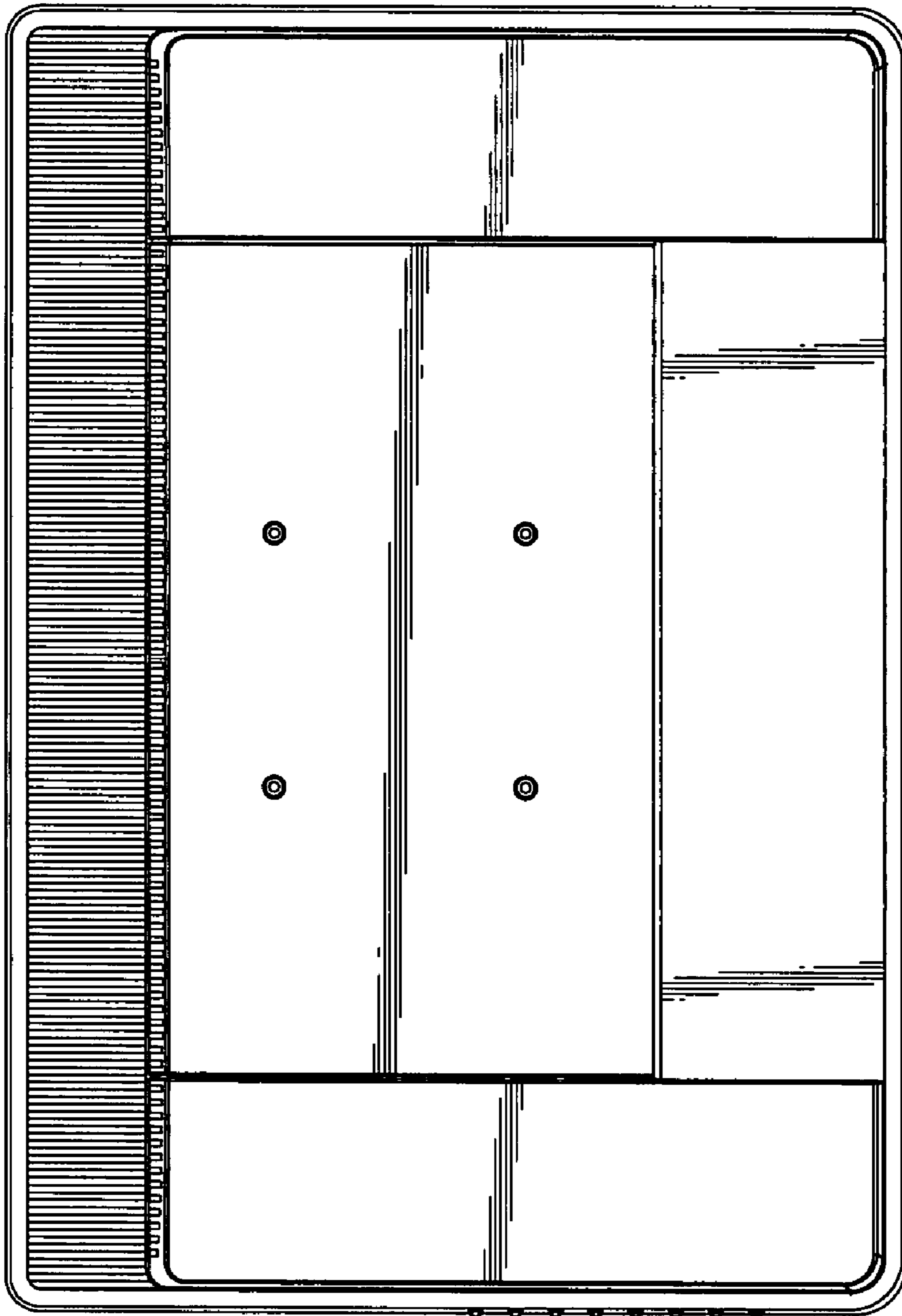


FIG.3

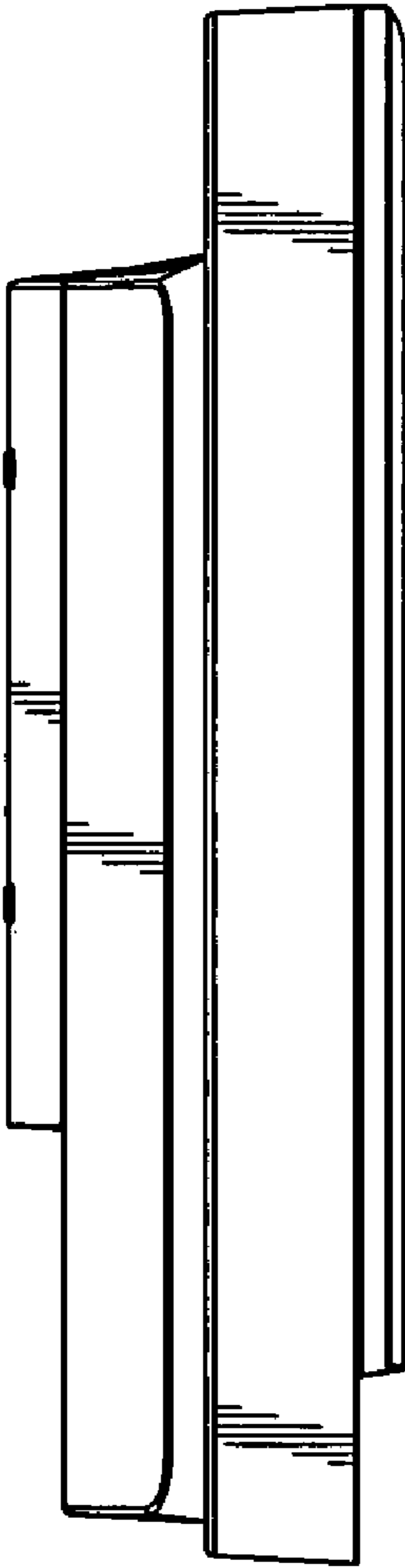


FIG. 4

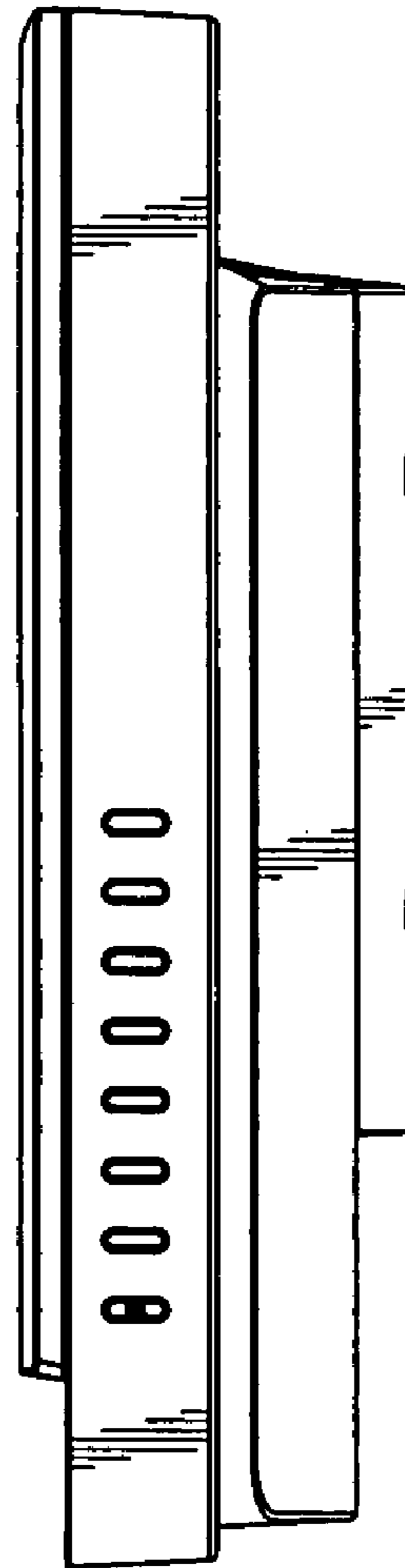


FIG. 5

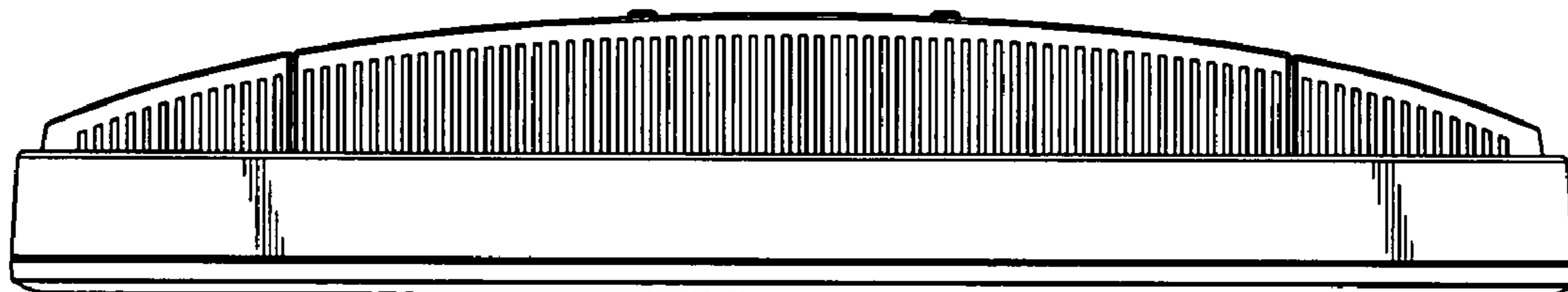


FIG. 6

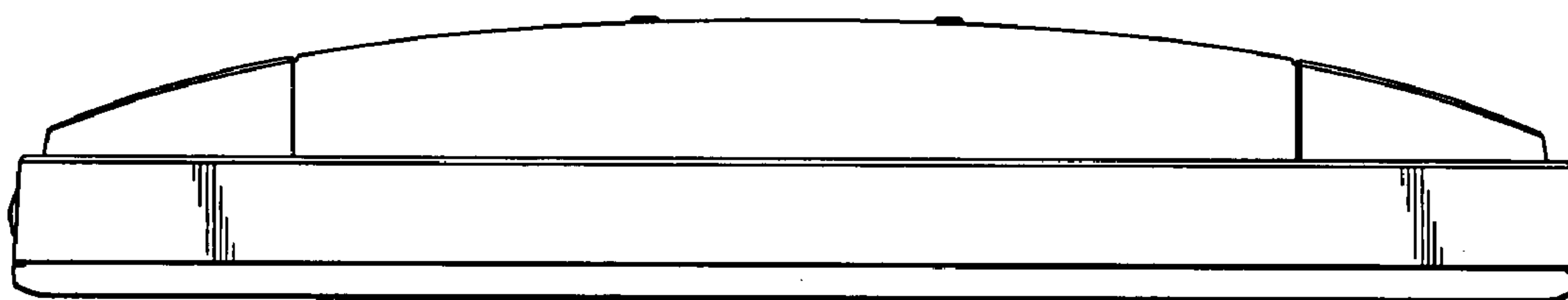


FIG. 7

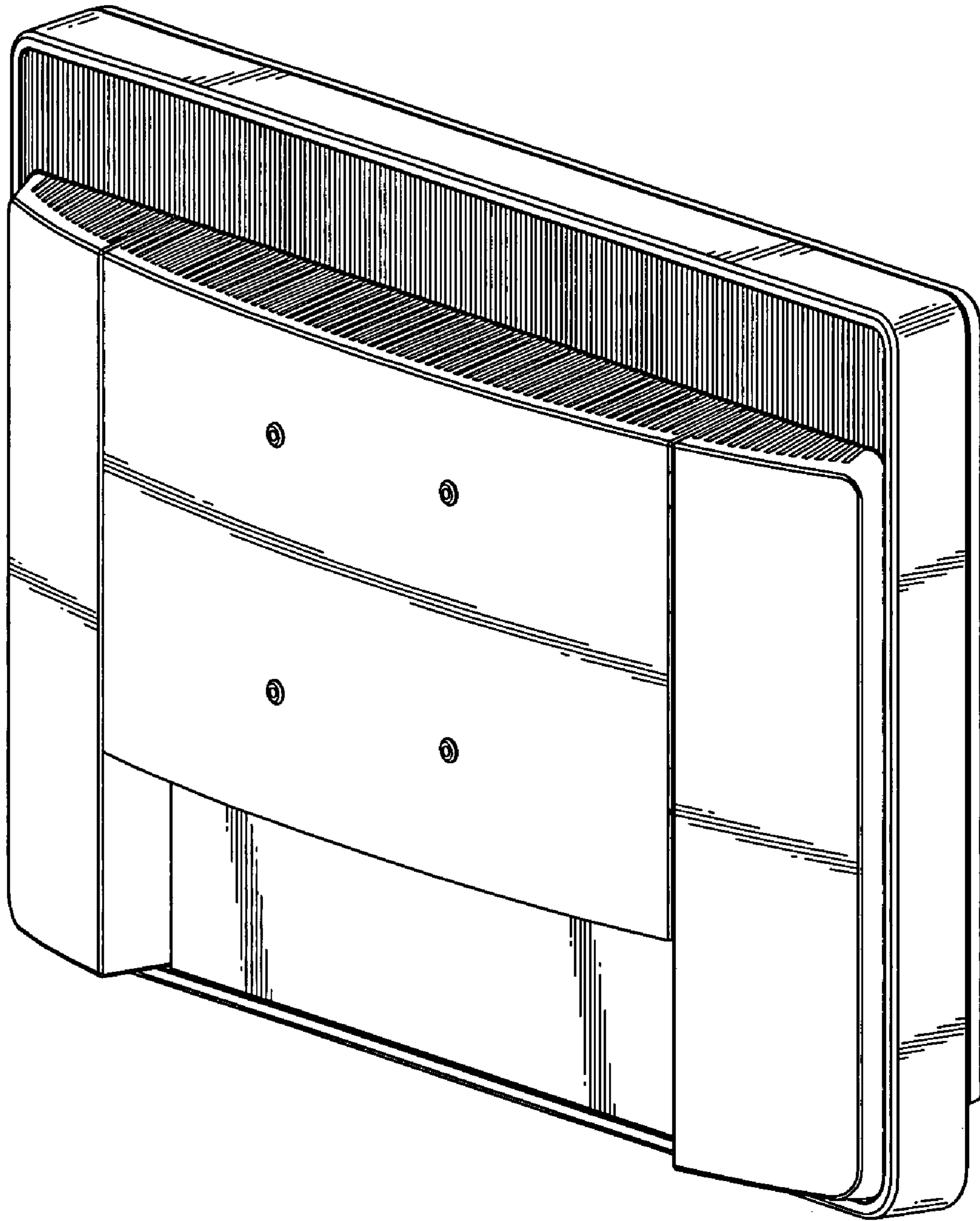


FIG.8