

US00D576118S

(12) **United States Design Patent**
Beilstein

(10) **Patent No.:** **US D576,118 S**
(45) **Date of Patent:** **** Sep. 2, 2008**

- (54) **ELECTRONICS HUB**
- (75) Inventor: **Christine D. Beilstein**, Chicago, IL (US)
- (73) Assignee: **Sanford, L.P.**, Oak Brook, IL (US)
- (**) Term: **14 Years**
- (21) Appl. No.: **29/289,206**
- (22) Filed: **Jul. 11, 2007**

6,872,885	B1	3/2005	Newbold, Jr.	174/58
6,894,219	B2	5/2005	Culbertson	174/58
D512,964	S	12/2005	Kissinger et al.	174/50.53
7,173,194	B2	2/2007	Rupert	174/480
7,205,488	B2	4/2007	Riner	174/482
7,259,328	B1 *	8/2007	Gretz	174/57
2006/0151192	A1	7/2006	Kregle et al.	174/53
2007/0164178	A1 *	7/2007	Beilstein et al.	248/200
2008/0090434	A1 *	4/2008	Lin et al.	439/131

* cited by examiner

Primary Examiner—Robert M. Spear

Assistant Examiner—Ania K Dworzecka

(74) *Attorney, Agent, or Firm*—Marshall Gerstein & Borun LLP

Related U.S. Application Data

- (62) Division of application No. 29/257,457, filed on Apr. 4, 2006.

- (51) **LOC (8) Cl.** **13-99**
- (52) **U.S. Cl.** **D13/199**
- (58) **Field of Classification Search** 439/131;
174/58, 53; 248/200; D13/184, 137.1, 137.2,
D13/137.4, 138.1, 139.1, 139.4, 139.7, 146,
D13/158, 163; D14/438
See application file for complete search history.

(57) **CLAIM**

The ornamental design for an electronics hub, as shown and described.

DESCRIPTION

FIG. 1 is a perspective view showing my new design for an electronics hub;

FIG. 2 is a front view of the electronics hub of FIG. 1;

FIG. 3 is a right side view of the electronics hub of FIG. 1;

FIG. 4 is a top plan view of the electronics hub of FIG. 1;

FIG. 5 is a left side view of the electronics hub of FIG. 1;

FIG. 6 is a rear view of the electronics hubs of FIG. 1; and,

FIG. 7 is a bottom plan view of the electronics hub of FIG. 1.

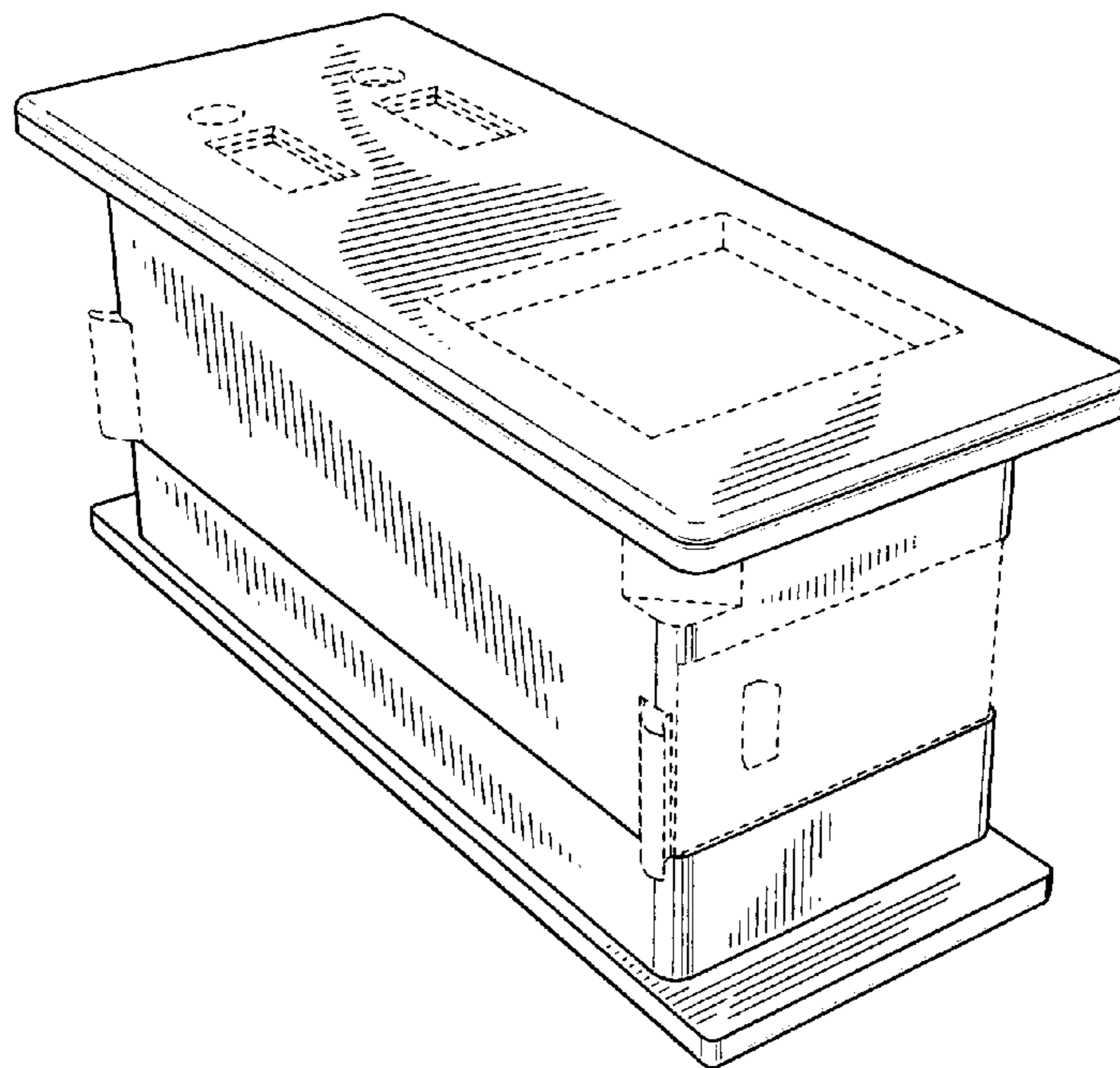
The dashed lines are for illustrative purposes only and form no part of the claimed design.

(56) **References Cited**

U.S. PATENT DOCUMENTS

3,433,886	A *	3/1969	Myers	174/57
5,023,396	A	6/1991	Bartee et al.	174/486
5,122,069	A	6/1992	Brownlie et al.	439/131
D442,143	S	5/2001	Gershfeld	D13/139.4
D456,357	S	4/2002	Gershfeld	D13/139.4
6,388,192	B1	5/2002	Layne	174/58
6,492,591	B1	12/2002	Metcalf	174/53
6,568,946	B1	5/2003	Chou	439/131
6,593,528	B2	7/2003	Franklin-Lees et al.	174/58
6,854,989	B2	2/2005	Milan	439/131

1 Claim, 2 Drawing Sheets



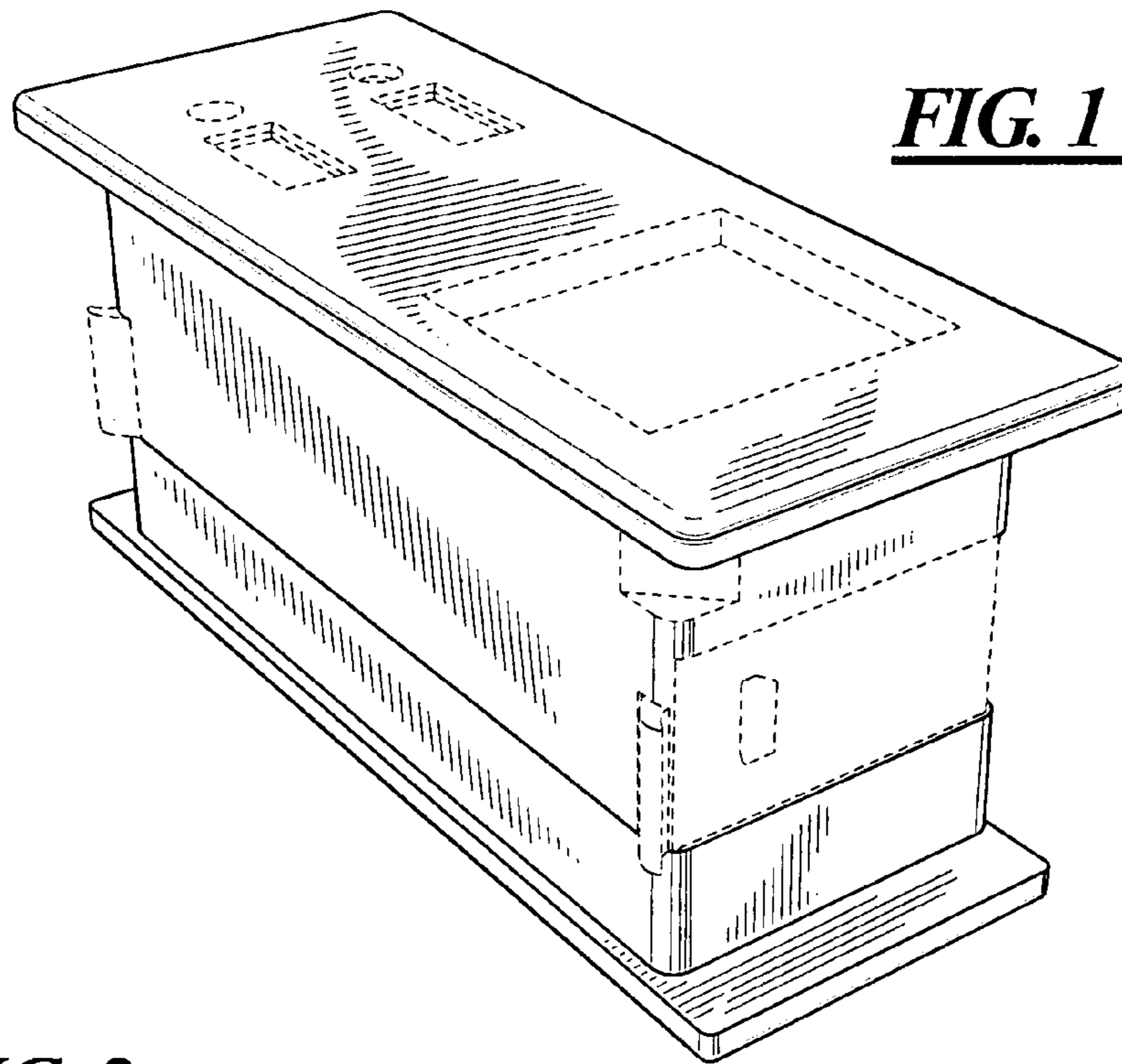


FIG. 1

FIG. 2

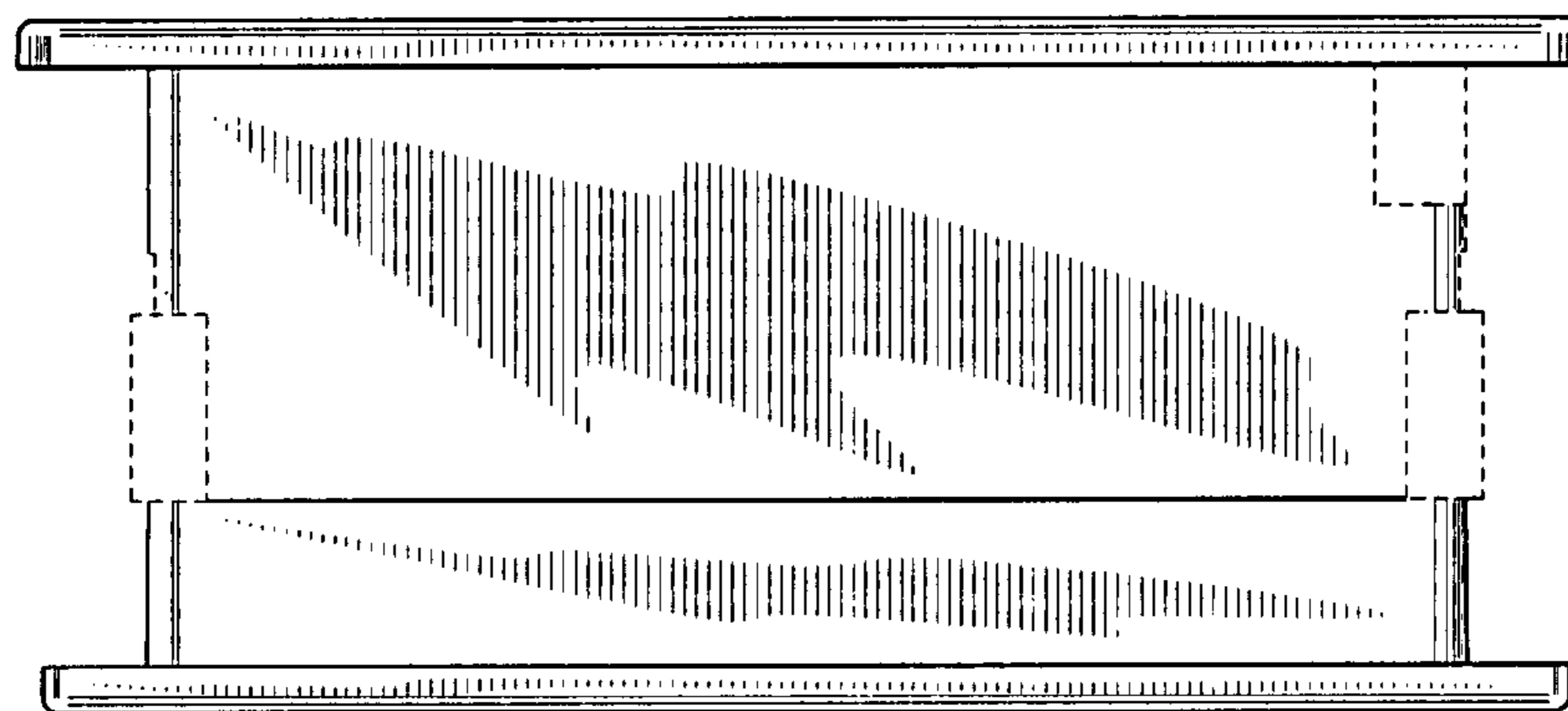


FIG. 3

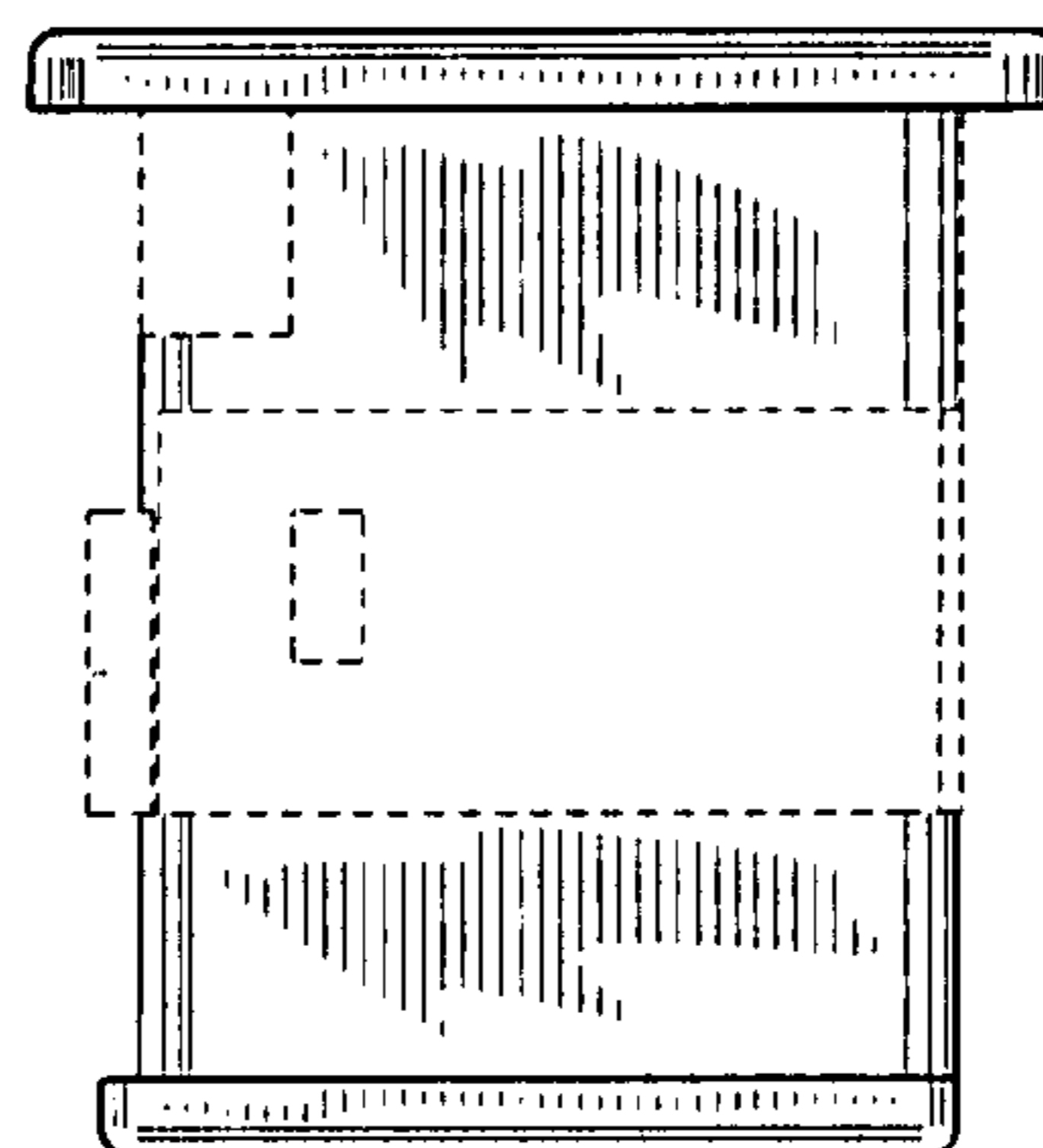


FIG. 4

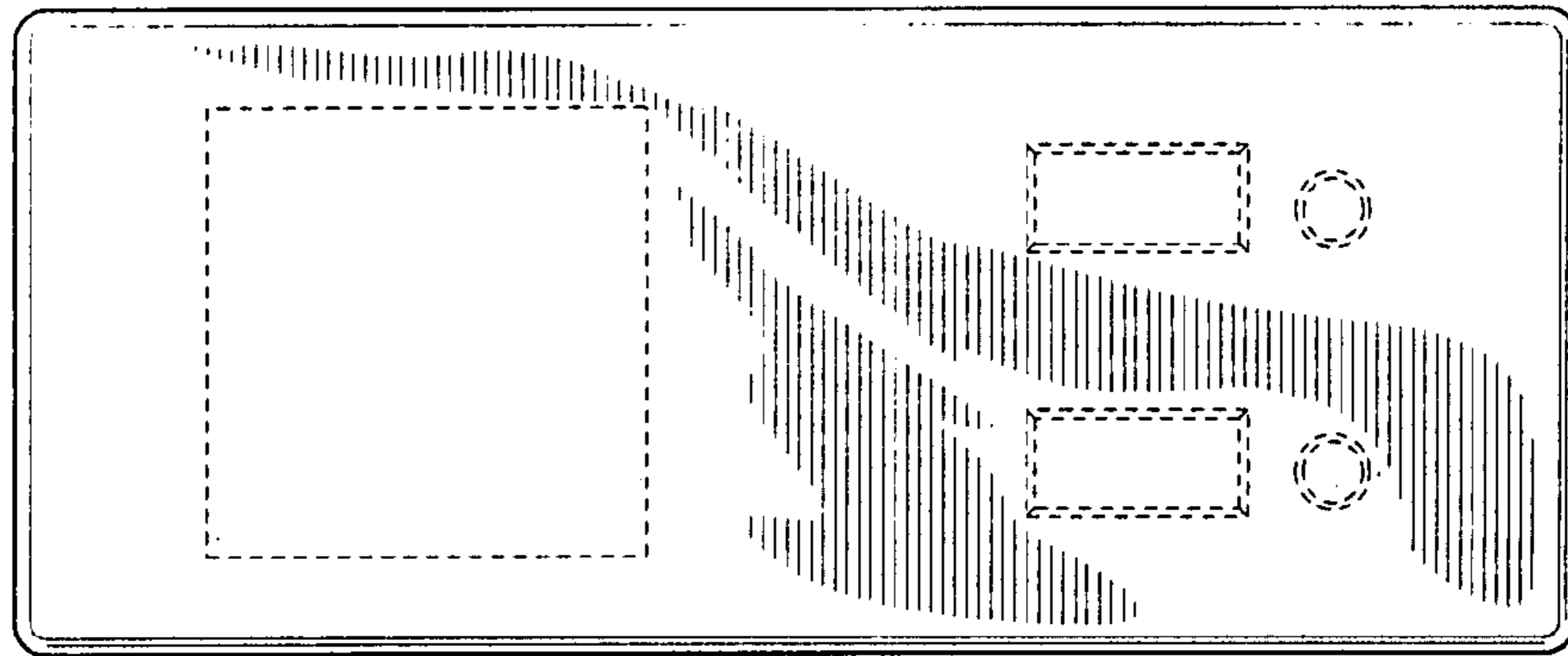


FIG. 5

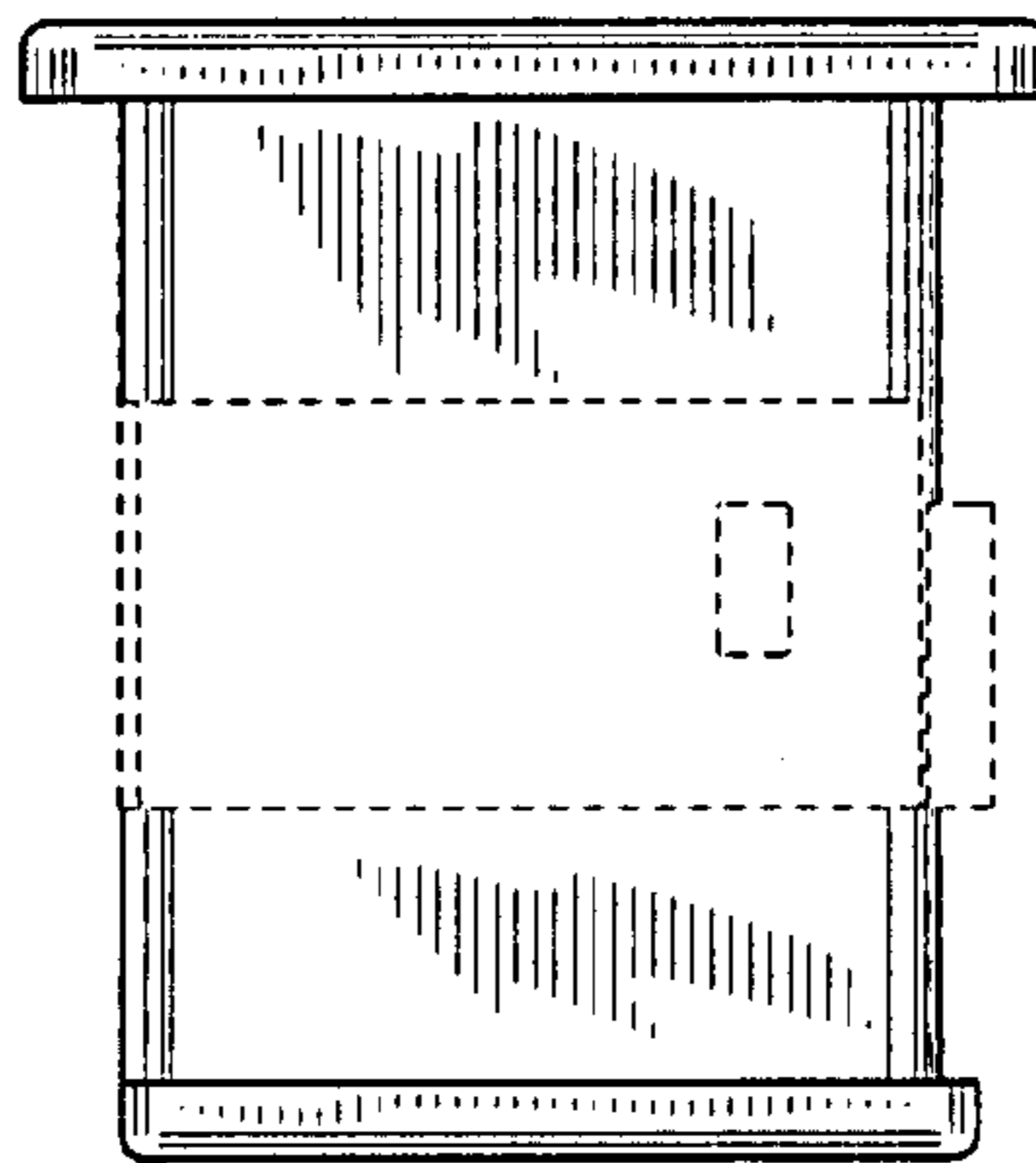


FIG. 6

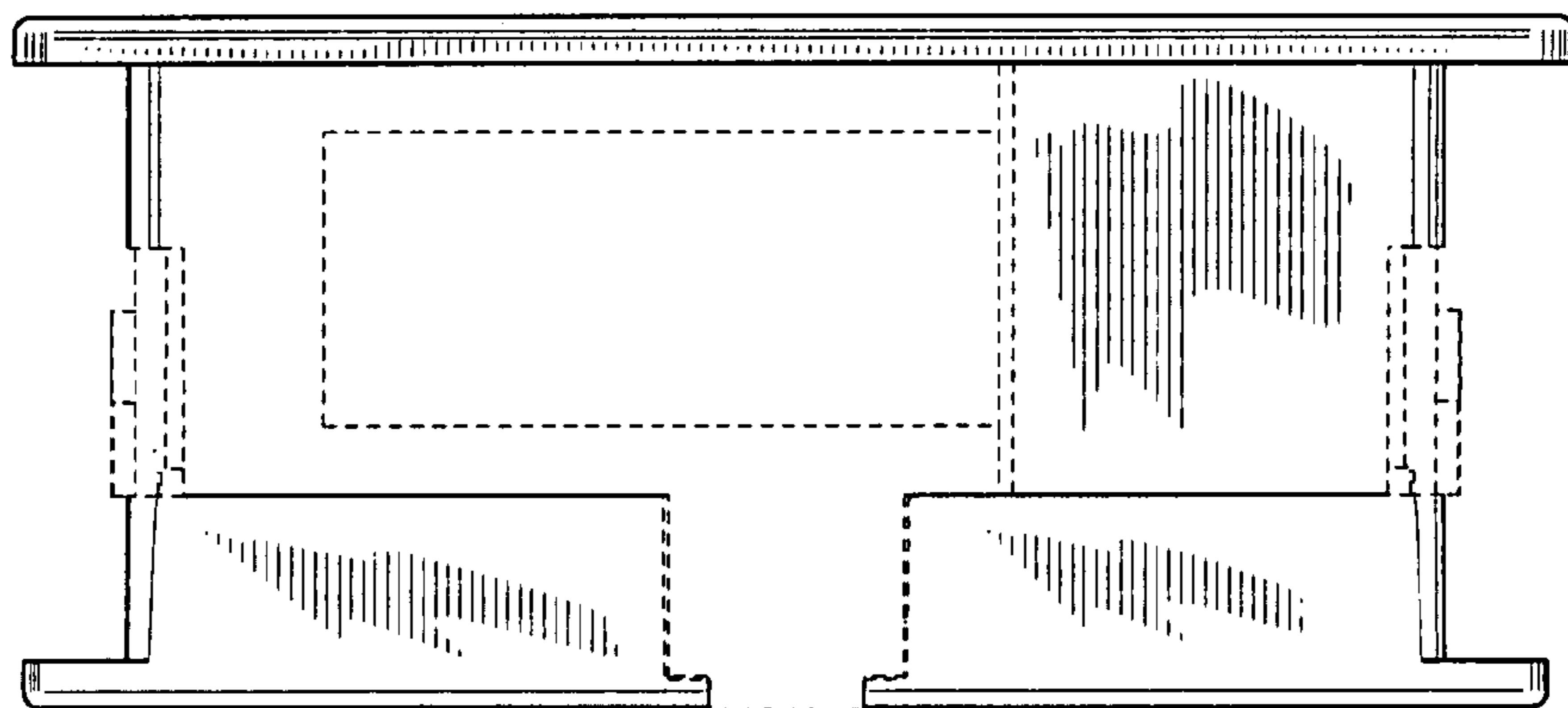


FIG. 7

