



US00D576114S

(12) **United States Design Patent**  
**Choi et al.**

(10) **Patent No.:** **US D576,114 S**  
(45) **Date of Patent:** **\*\* Sep. 2, 2008**

(54) **LED OF SIDE VIEW TYPE**

(75) Inventors: **You Na Choi**, Seoul (KR); **Jong Won Park**, Jeollabuk-do (KR)

(73) Assignee: **Alti-Electronics Co., Ltd.** (KR)

(\*\*) Term: **14 Years**

(21) Appl. No.: **29/269,236**

(22) Filed: **Nov. 24, 2006**

(30) **Foreign Application Priority Data**

May 23, 2006 (KR) ..... 30-2006-0019005  
Nov. 23, 2006 (KR) ..... 30-2006-0046593

(51) **LOC (8) Cl.** ..... **13-03**

(52) **U.S. Cl.** ..... **D13/180**

(58) **Field of Classification Search** ..... D13/180;  
D26/2; 257/79, 80, 81, 88, 89, 95, 98, 99,  
257/100; 313/483, 498, 500; 362/555, 800  
See application file for complete search history.

(56) **References Cited**

**U.S. PATENT DOCUMENTS**

D476,960 S \* 7/2003 Fukasawa et al. .... D13/182  
D548,704 S \* 8/2007 Wu et al. .... D13/180  
7,279,723 B2 \* 10/2007 Matsumura et al. .... 257/100  
2002/0149314 A1 \* 10/2002 Takahashi et al. .... 313/500  
2006/0284207 A1 \* 12/2006 Park et al. .... 257/99  
2007/0029915 A1 \* 2/2007 Kim et al. .... 313/483  
2007/0063213 A1 \* 3/2007 Hsieh et al. .... 257/99

2007/0114555 A1 \* 5/2007 Takemoto et al. .... 257/99

\* cited by examiner

*Primary Examiner*—Selina Sikder

(74) *Attorney, Agent, or Firm*—Cantor Colburn LLP

(57) **CLAIM**

I claim, the ornamental design for a LED of side view type, as shown and described.

**DESCRIPTION**

FIG. 1 is a front perspective view of the LED of side view type in another embodiment of the invention;

FIG. 2 is a front elevational view of the LED of side view type of FIG. 1;

FIG. 3 is a rear elevational view of the LED of side view type of FIG. 1;

FIG. 4 is a left side elevational view of the LED of side view type of FIG. 1;

FIG. 5 is a right side elevational view of the LED of side view type of FIG. 1;

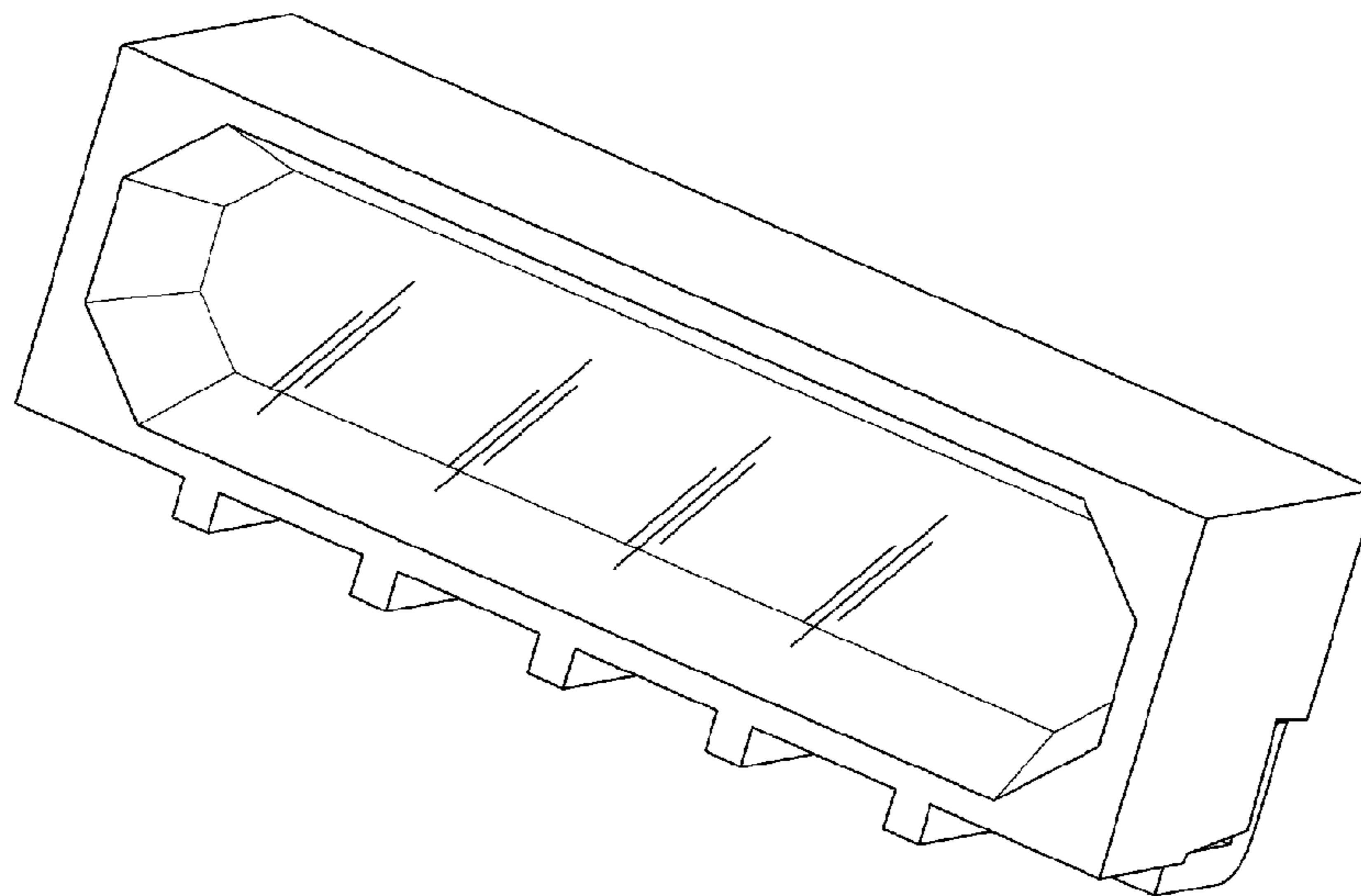
FIG. 6 is a top plan view of the LED of side view type of FIG. 1;

FIG. 7 is a bottom plan view of the LED of side view type of FIG. 1;

FIG. 8 is a cross-sectional view of the LED of side view type taken along line 8-8 in FIG. 2; and,

FIG. 9 is a bottom and rear perspective view of the LED of side view type of FIG. 1.

**1 Claim, 9 Drawing Sheets**



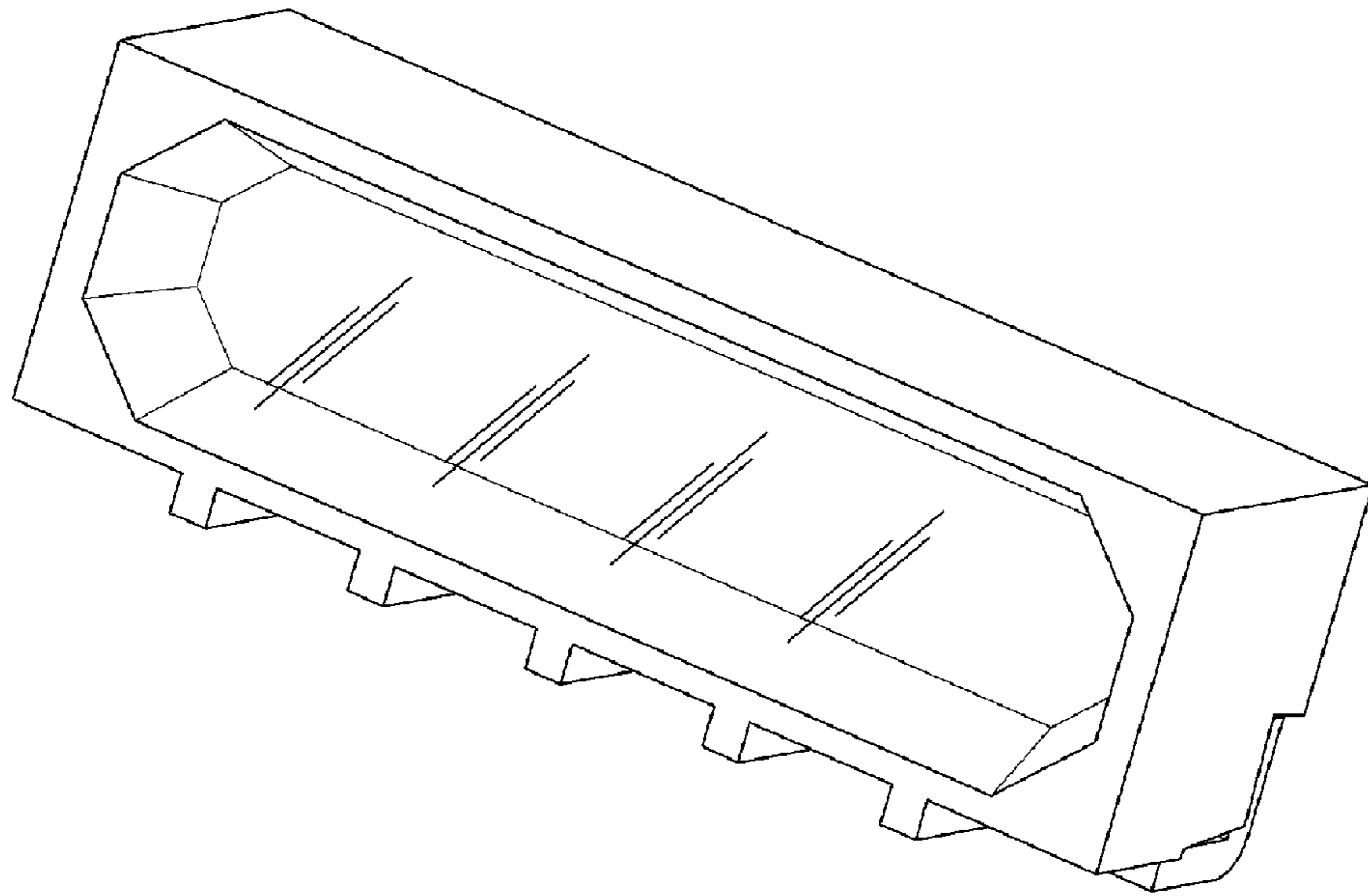


FIG. 1

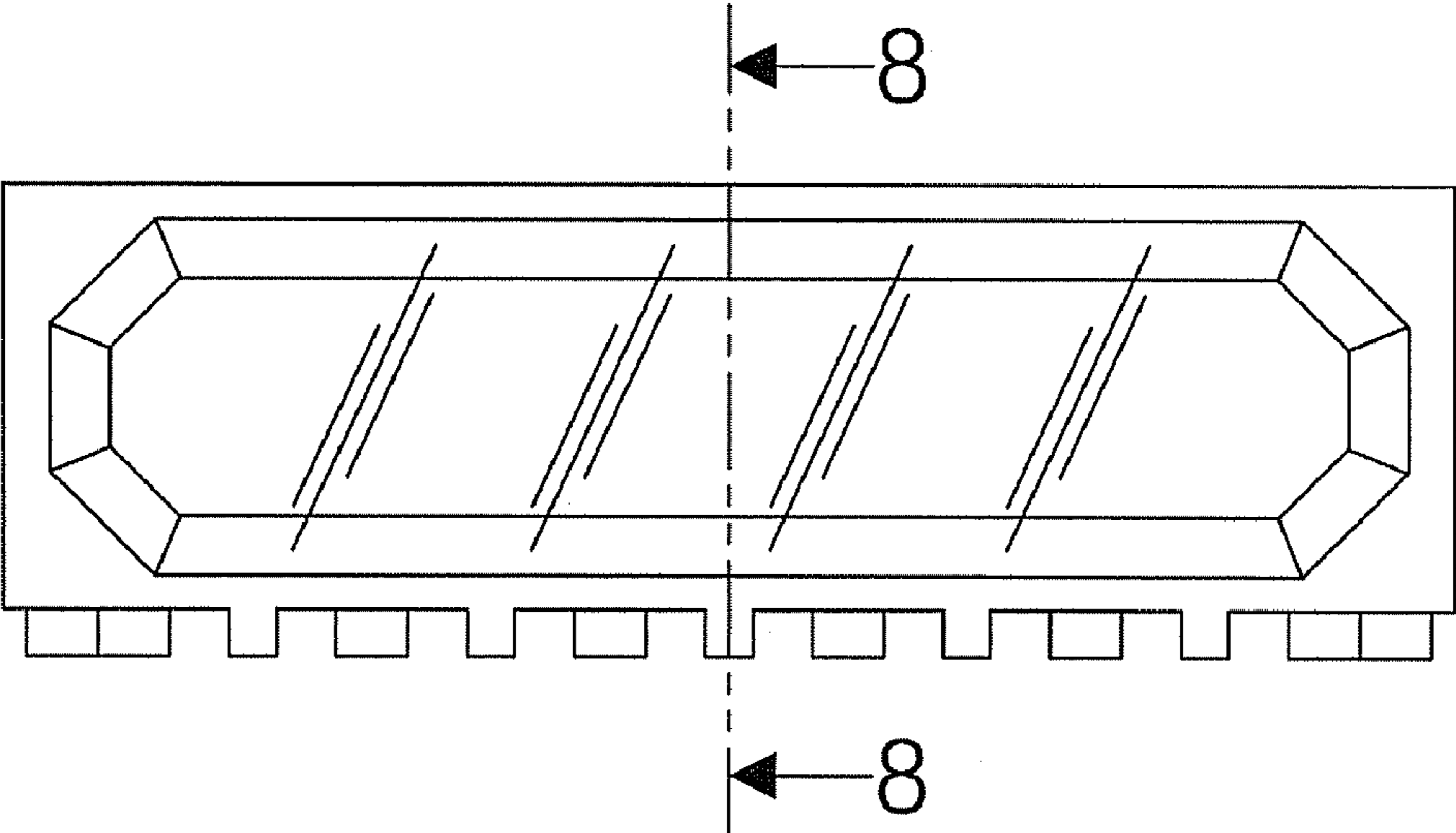


FIG. 2

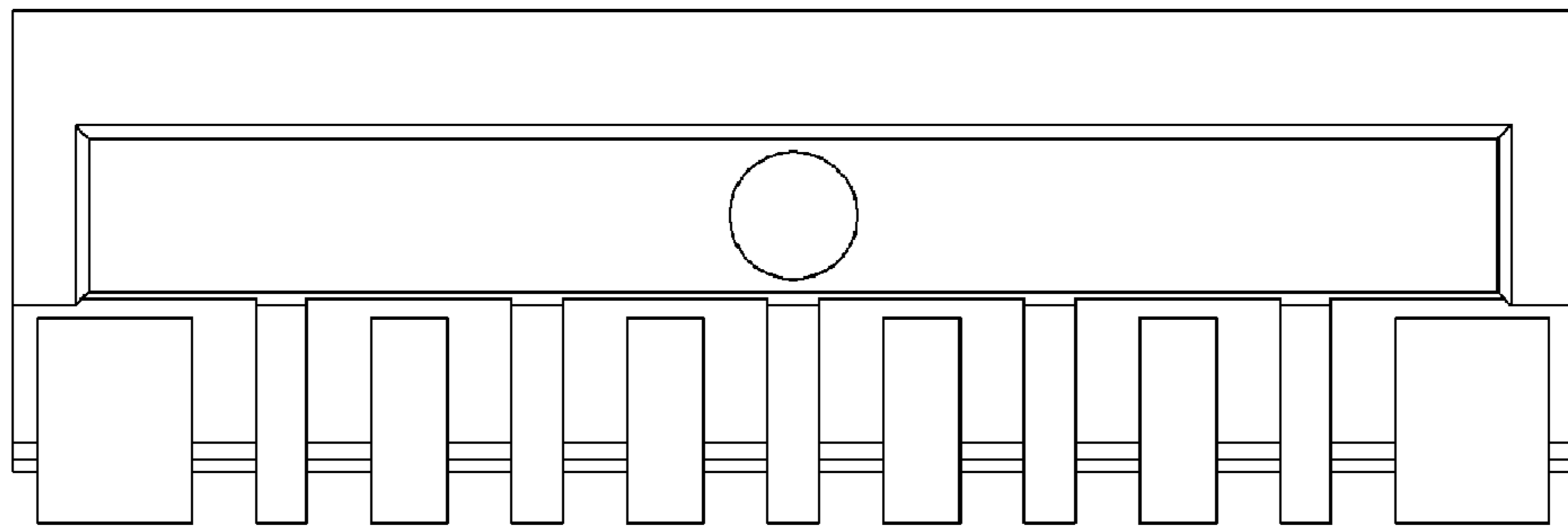


FIG. 3

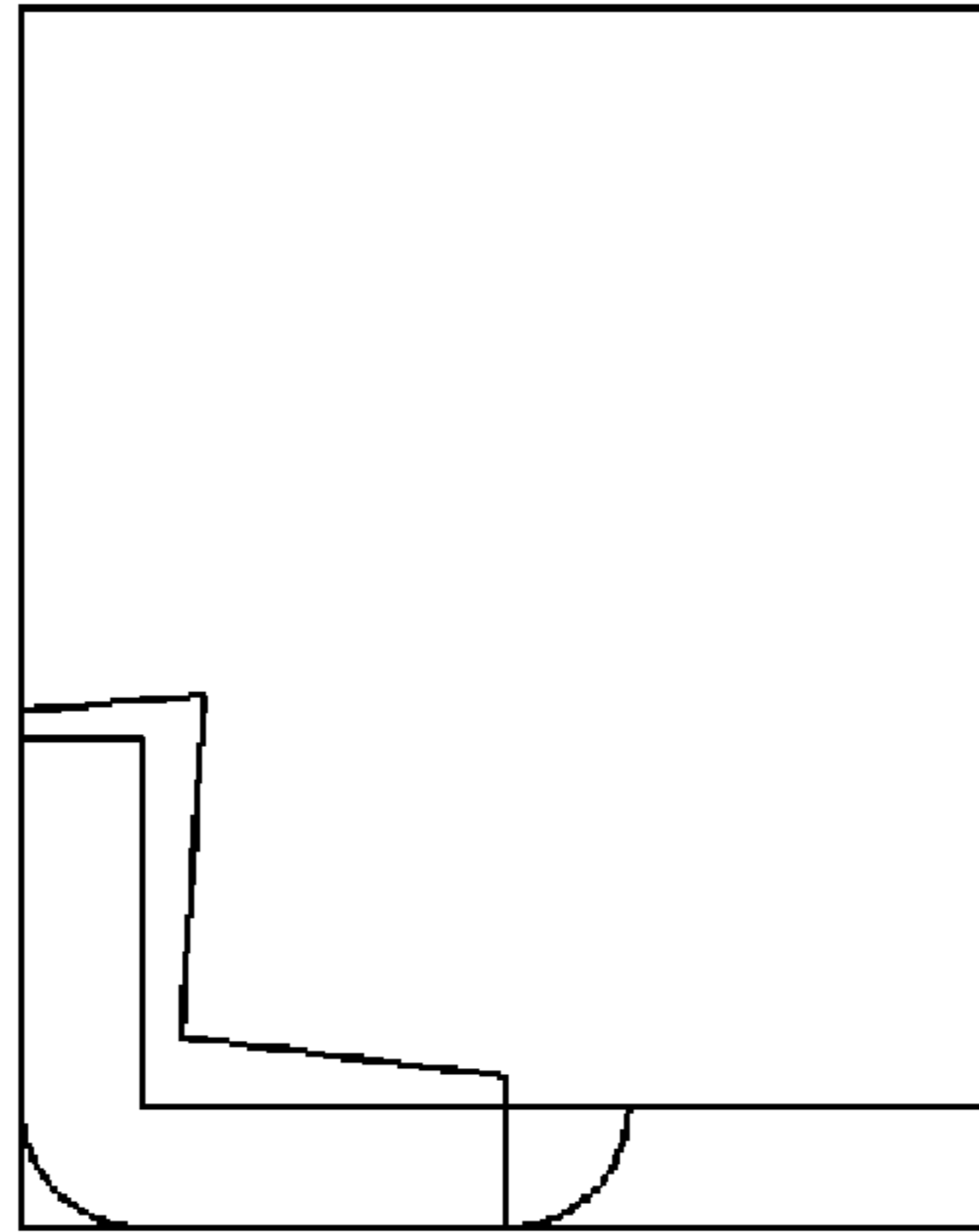


FIG. 4

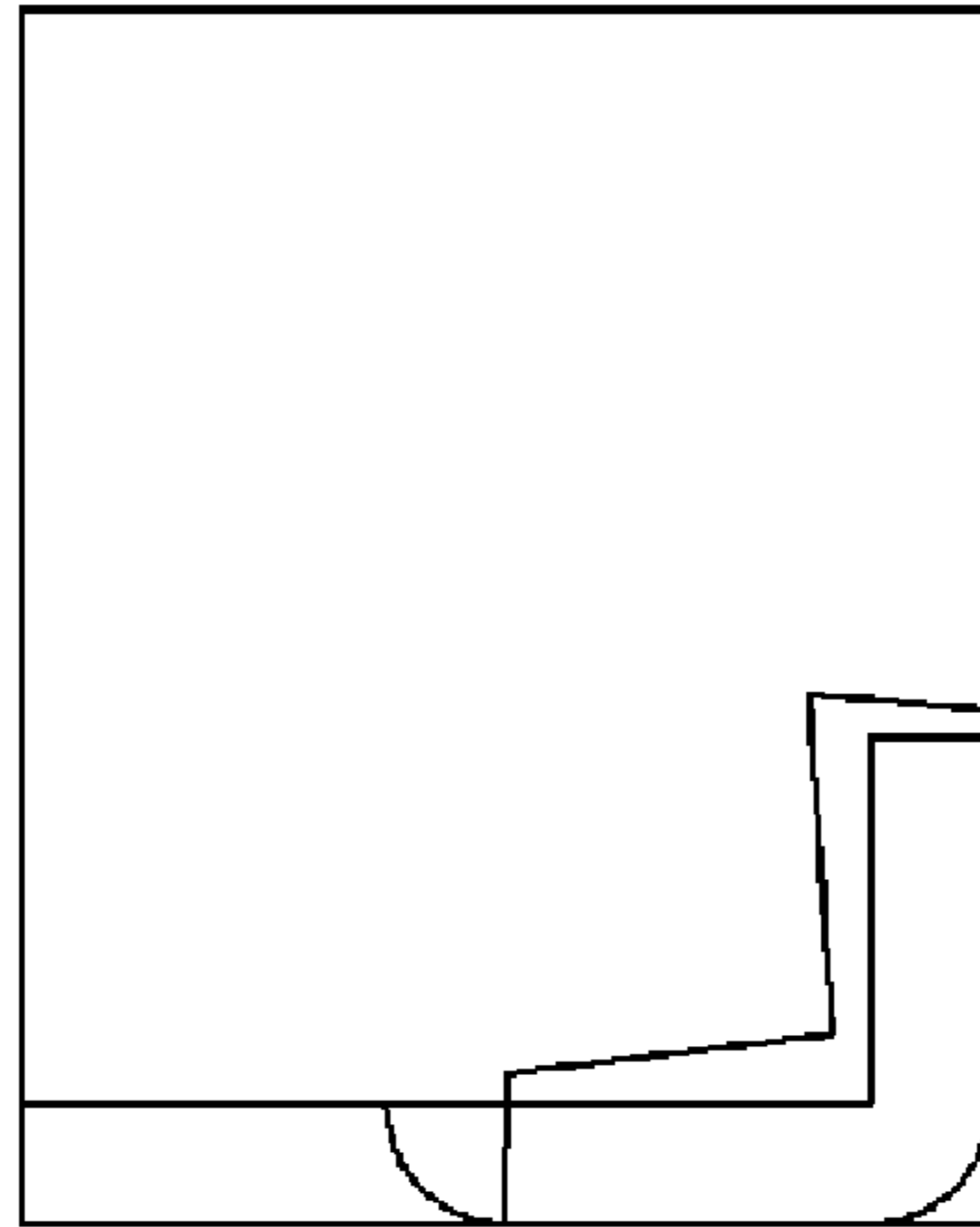


FIG. 5

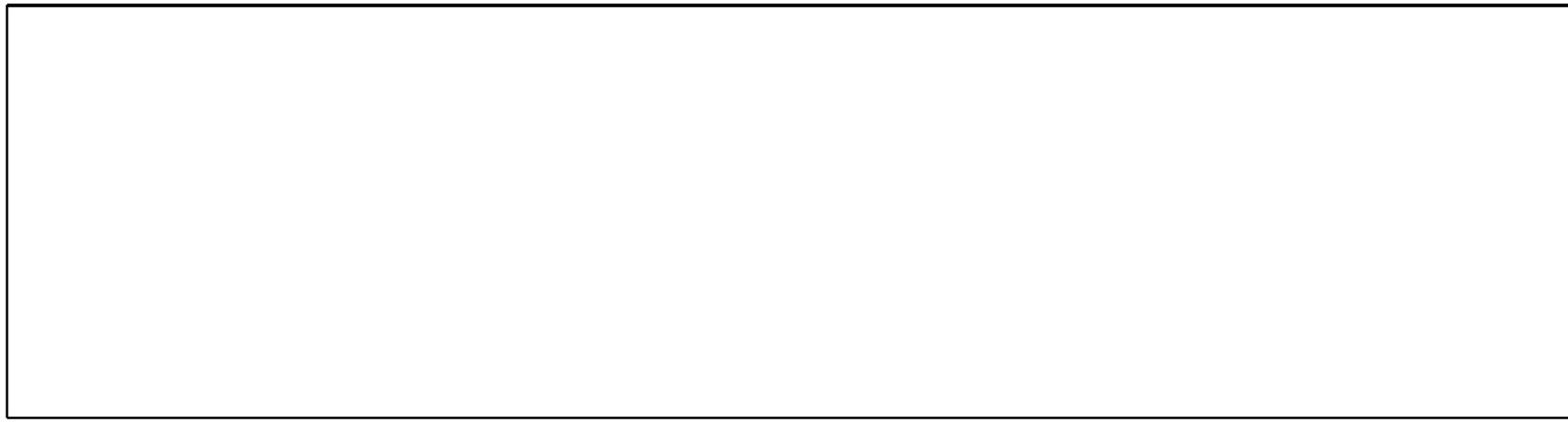


FIG. 6

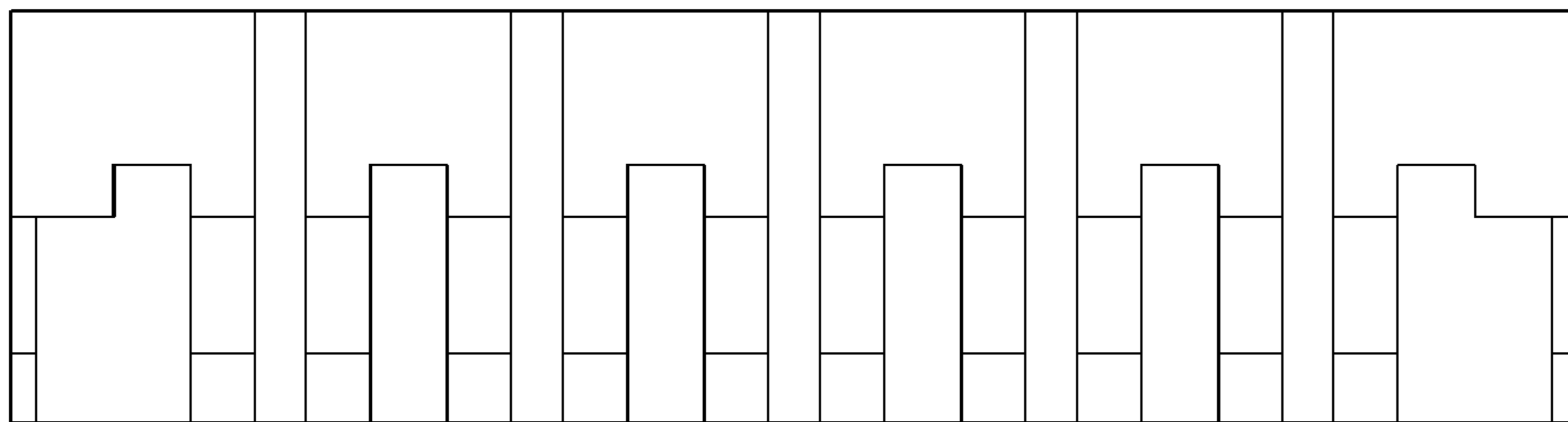


FIG. 7



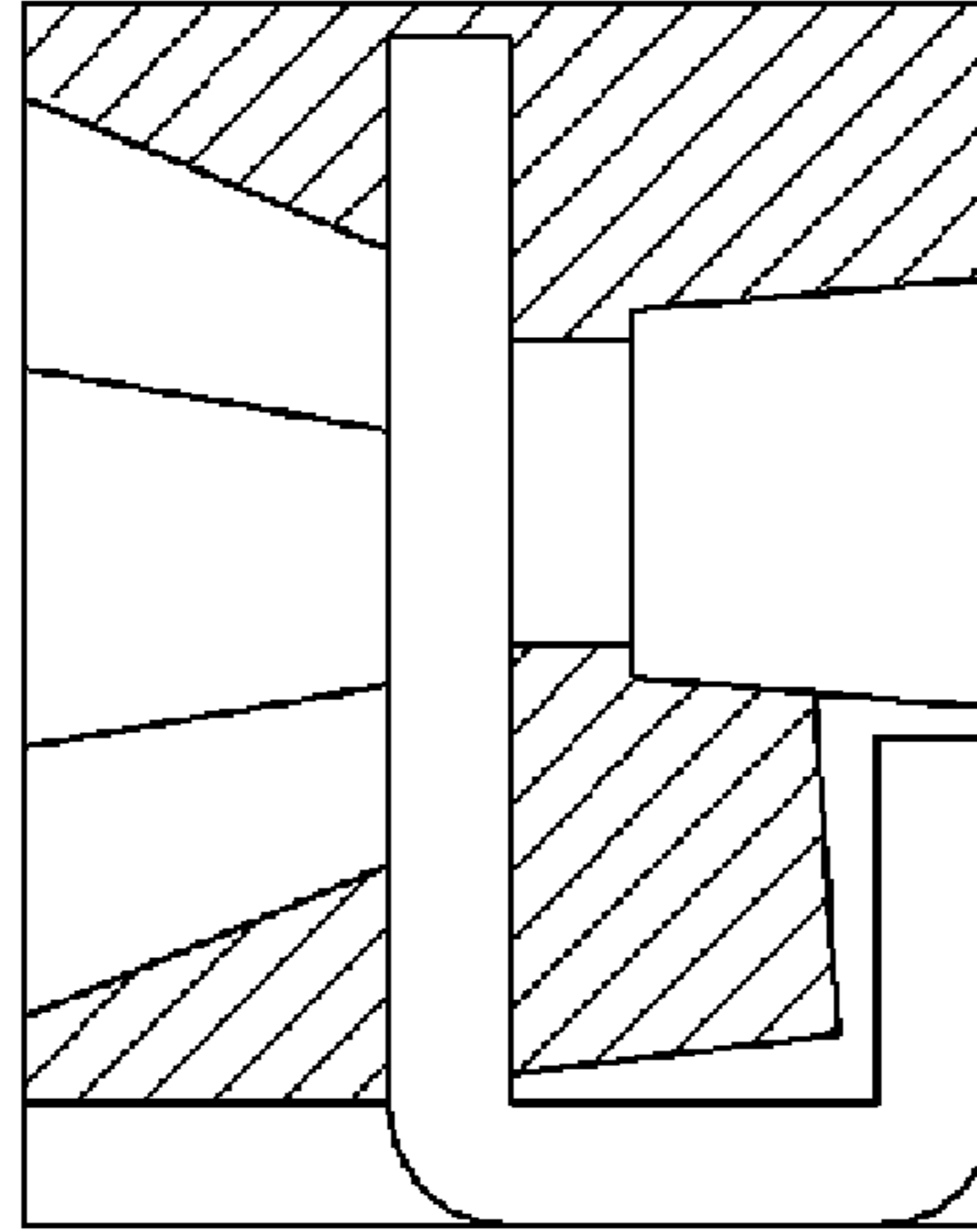


FIG. 8

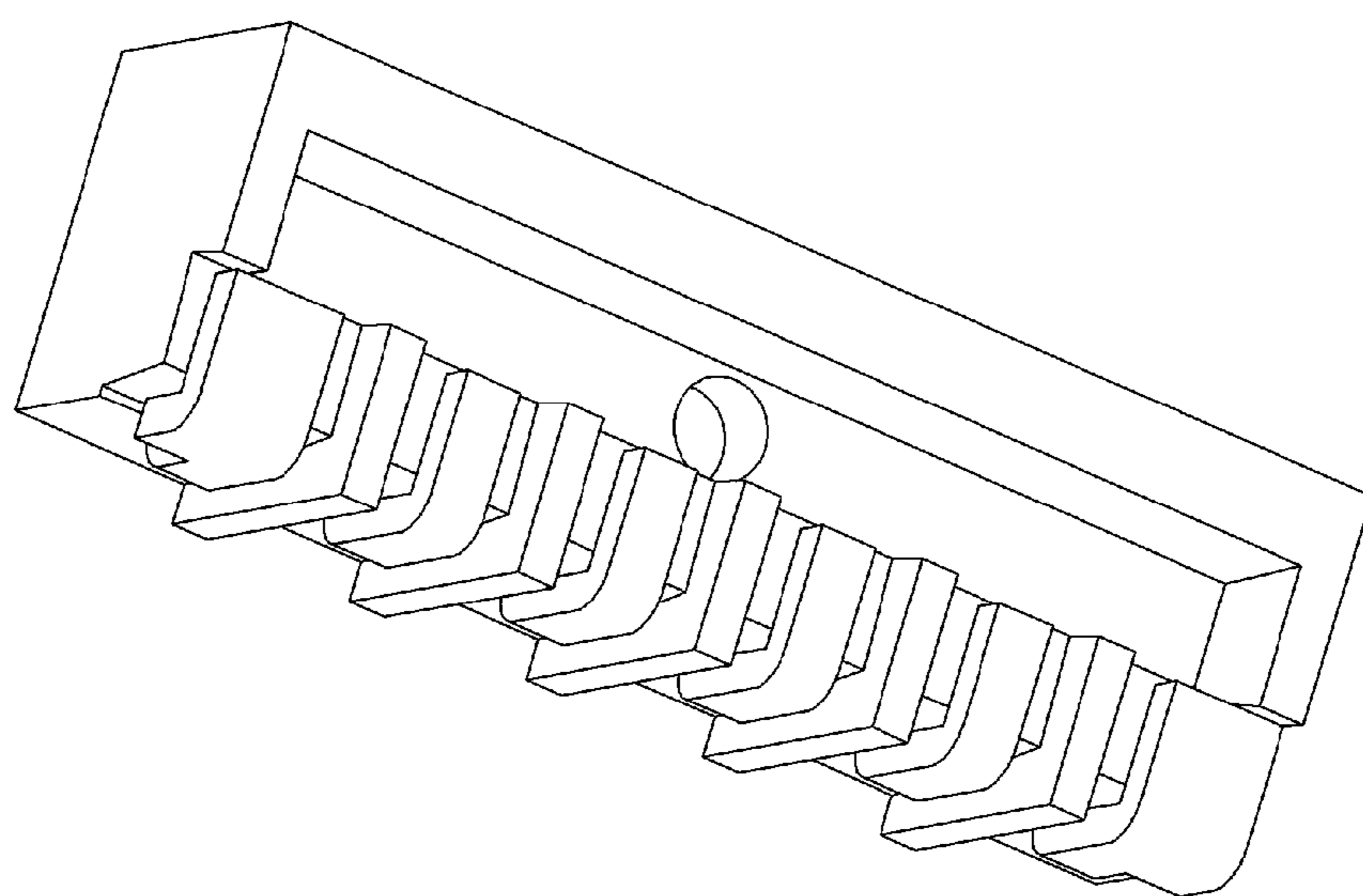


FIG. 9