



US00D576112S

(12) **United States Design Patent**  
**Hörmann**

(10) **Patent No.:** **US D576,112 S**

(45) **Date of Patent:** **\*\* Sep. 2, 2008**

(54) **LIGHT BARRIER FOR GATES**

D542,738 S \* 5/2007 Pollard ..... D13/165  
D565,512 S \* 4/2008 Hormann ..... D13/165

(75) Inventor: **Michael Hörmann**, Halle (DE)

\* cited by examiner

(73) Assignee: **Marantec Antriebs-und  
Steuerungstechnik GmbH & Co.** (DE)

*Primary Examiner*—Prabhakar Deshmukh

*Assistant Examiner*—Thomas J Johannes

(\*\*) Term: **14 Years**

(74) *Attorney, Agent, or Firm*—Carter DeLuca Farrell &  
Schmidt LLP

(21) Appl. No.: **29/285,377**

(57) **CLAIM**

(22) Filed: **Mar. 28, 2007**

What is claimed the ornamental design for a light barrier for gates, as shown and described.

(30) **Foreign Application Priority Data**

Sep. 28, 2006 (DE) ..... 4 06 05 125

**DESCRIPTION**

(51) **LOC (8) Cl.** ..... **13-03**

FIG. 1 is a front perspective view of a light barrier for gates, showing my new design;

(52) **U.S. Cl.** ..... **D13/165**

FIG. 2 is a rear perspective view thereof;

(58) **Field of Classification Search** ..... D13/110,  
D13/123, 147, 151, 158–177, 184; 345/156,  
345/168, 169; 348/734; 455/92, 95, 128,  
455/151, 325–355; 463/39; 700/17, 19,  
700/20, 281; D10/108, 116, 118, 104; D8/353,  
D8/330, 346

FIG. 3 is a front elevation view thereof;

FIG. 4 is a rear elevation view thereof;

FIG. 5 is a top plan view thereof;

FIG. 6 is a bottom plan view thereof;

FIG. 7 is left elevation view thereof; and,

FIG. 8 is a right elevation view thereof.

See application file for complete search history.

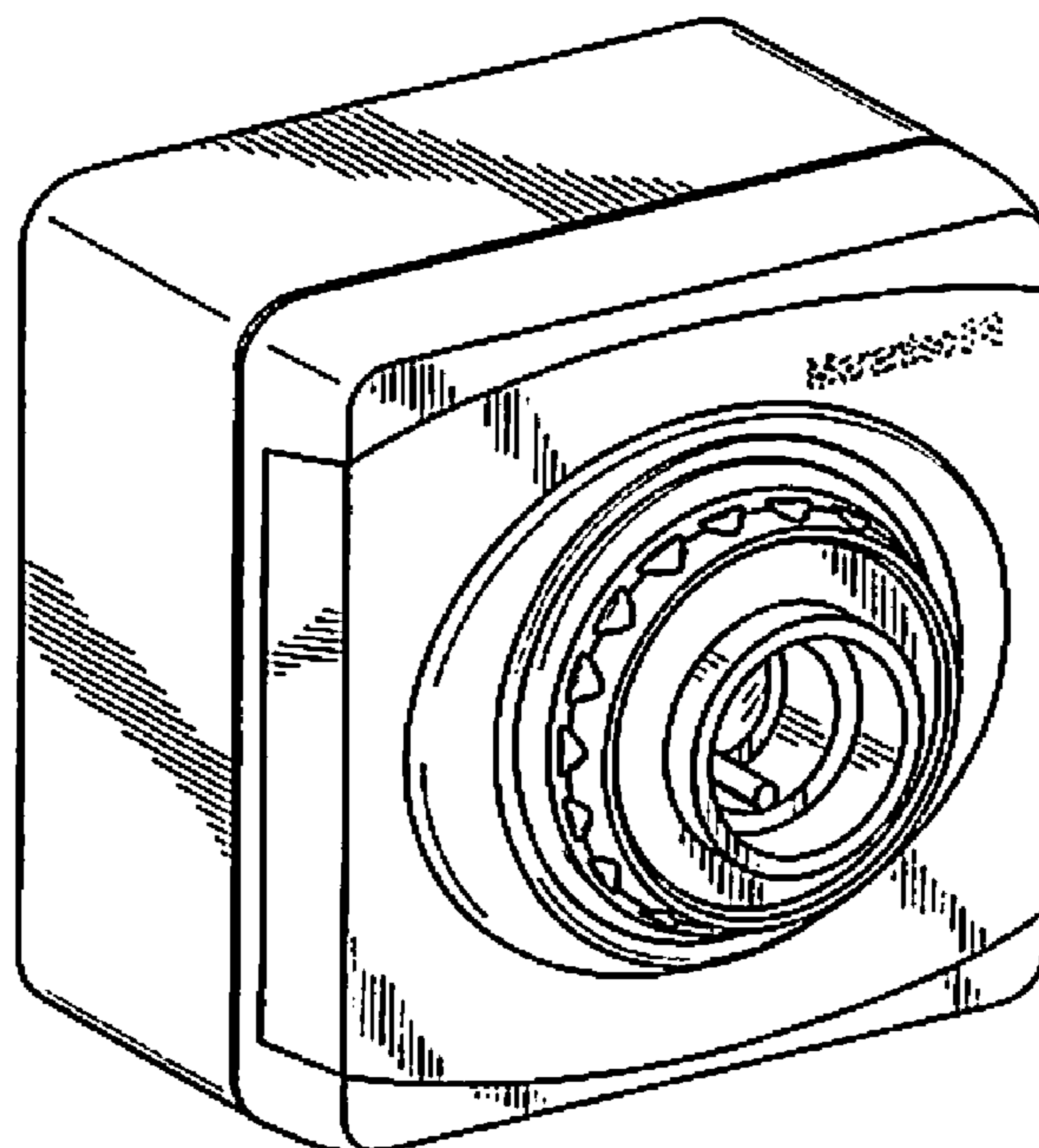
The phantom lines showing indicia on the front of the light barrier for gates along with raised elements and a concavity on the rear of the light barrier for gates are included for the purpose of illustrating portions of the light barrier for gates and form no part of the claimed design.

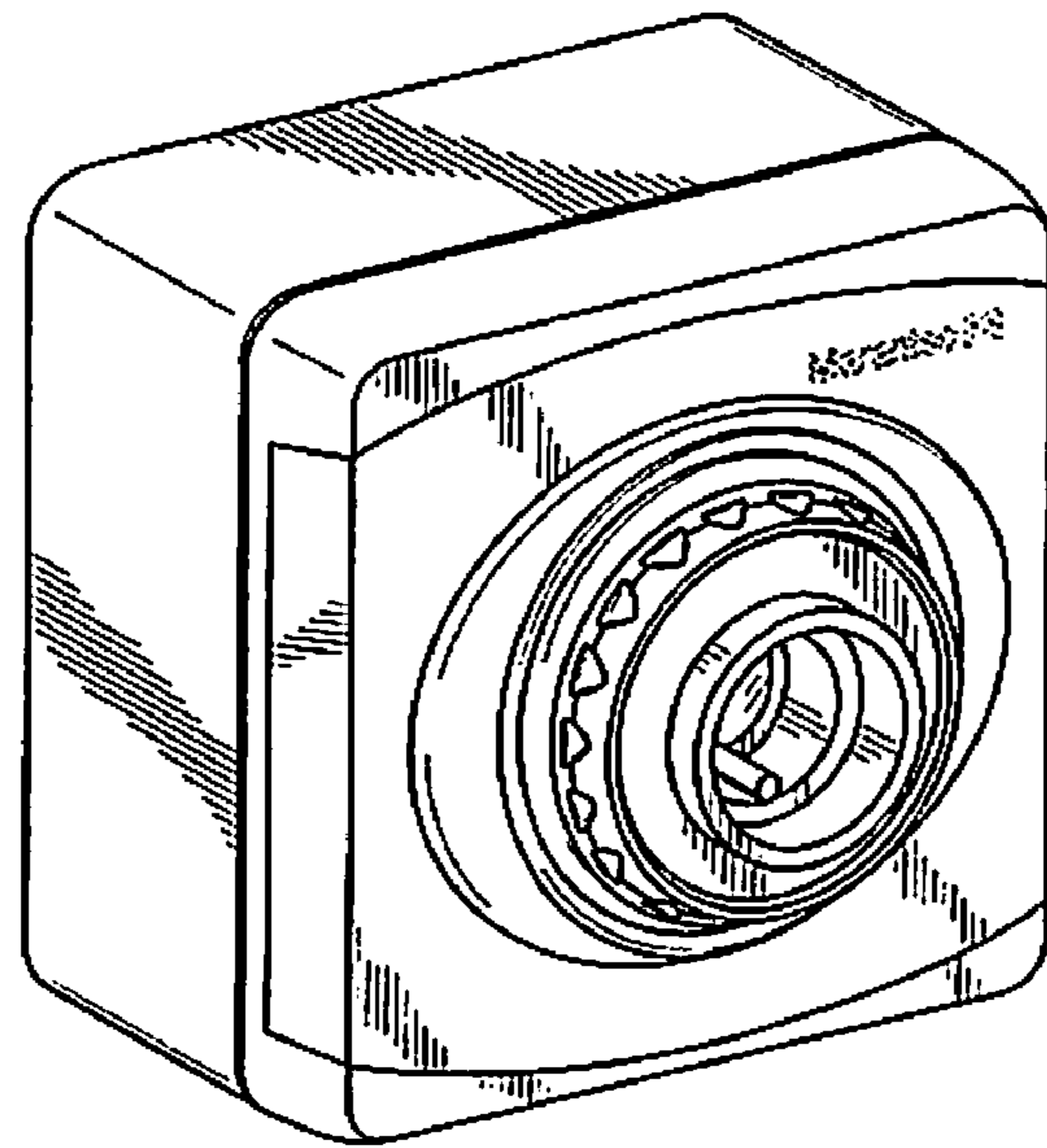
(56) **References Cited**

**U.S. PATENT DOCUMENTS**

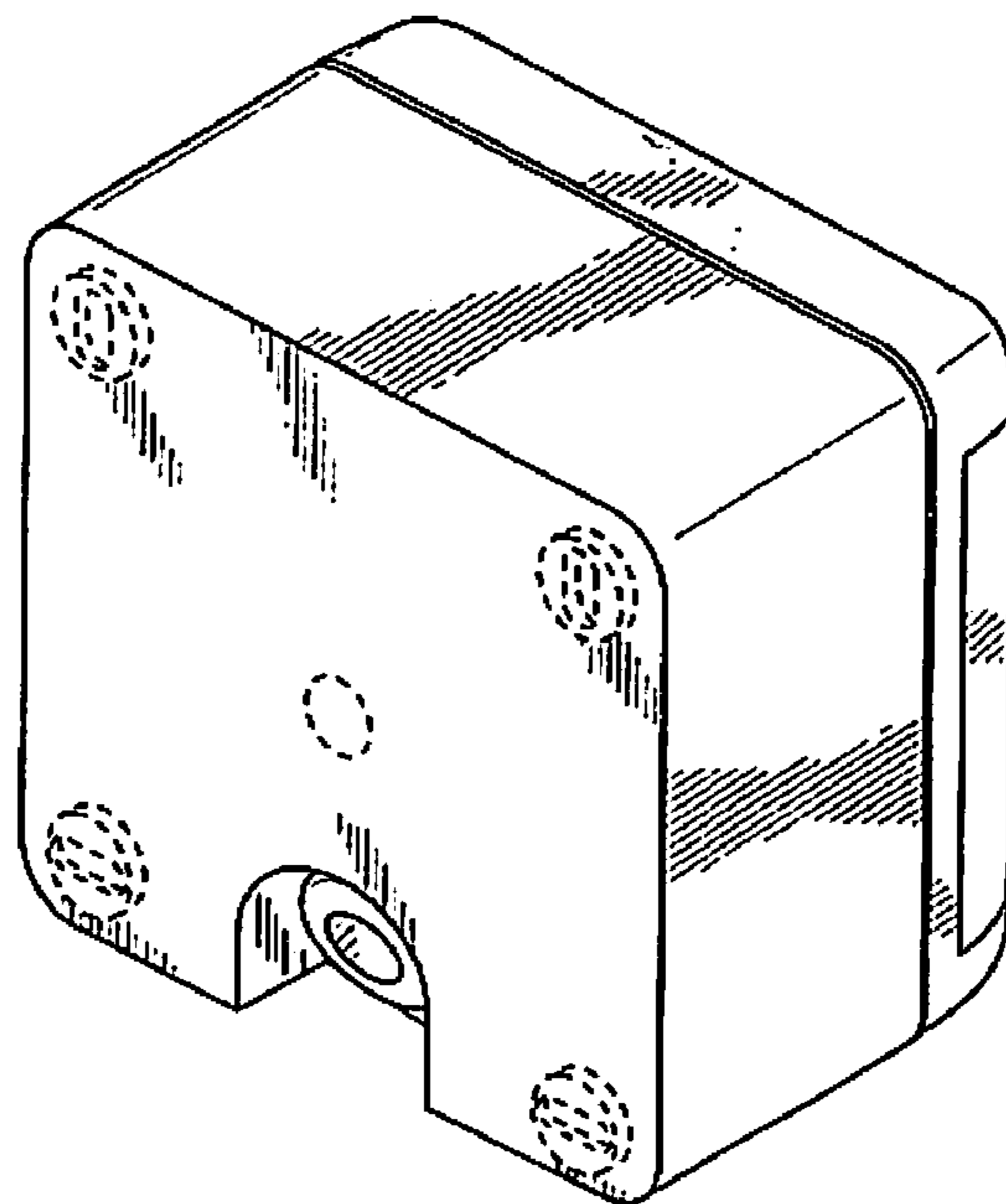
D322,776 S \* 12/1991 DiCarlo, Jr. .... D13/165  
D361,057 S \* 8/1995 Fayfield ..... D13/165  
D401,910 S \* 12/1998 Fooks et al. .... D13/165  
D442,563 S \* 5/2001 Fayfield ..... D13/165  
D471,162 S \* 3/2003 Fayfield ..... D13/165  
D526,279 S \* 8/2006 Kotyk ..... D13/158

**1 Claim, 4 Drawing Sheets**

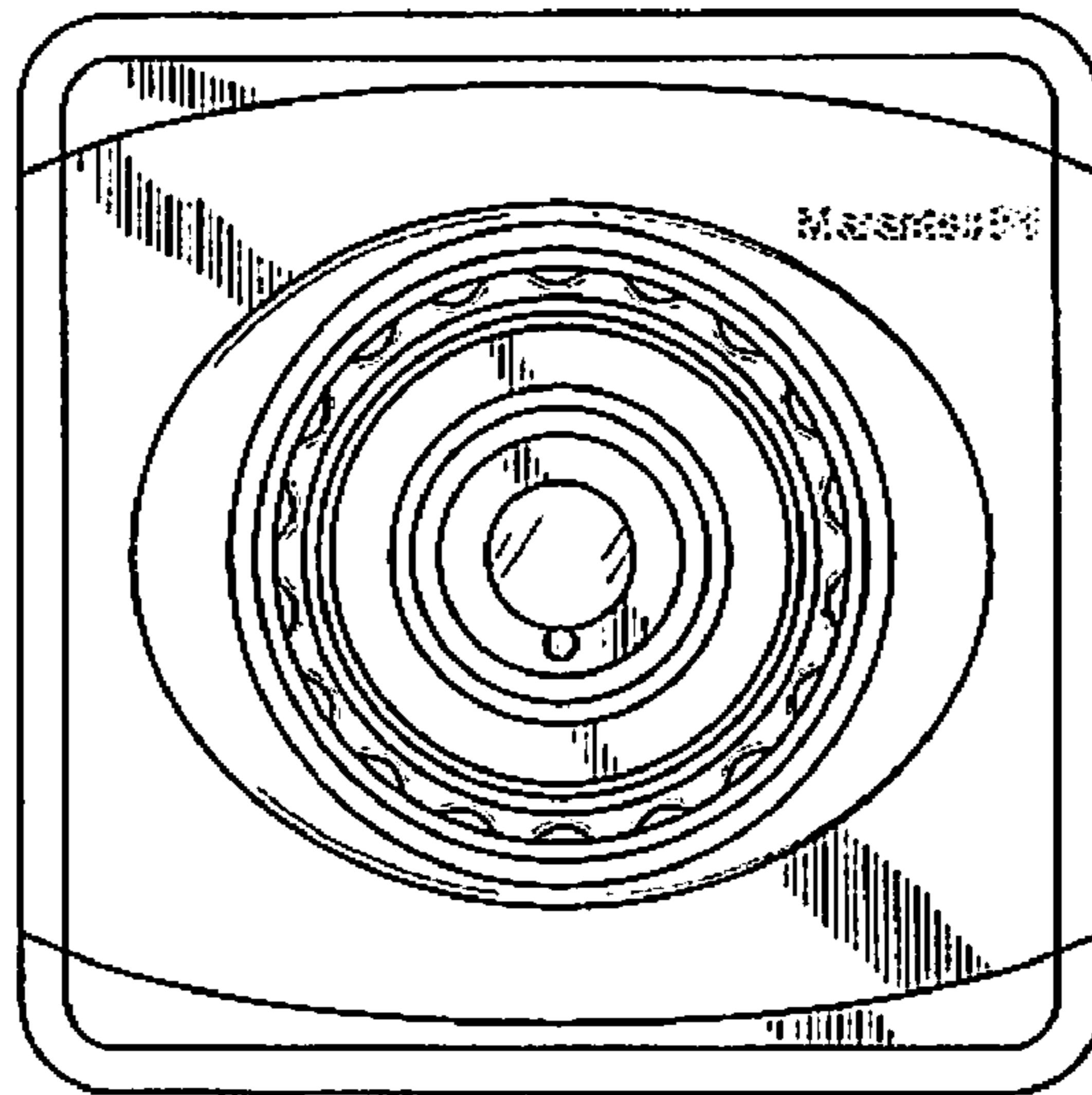




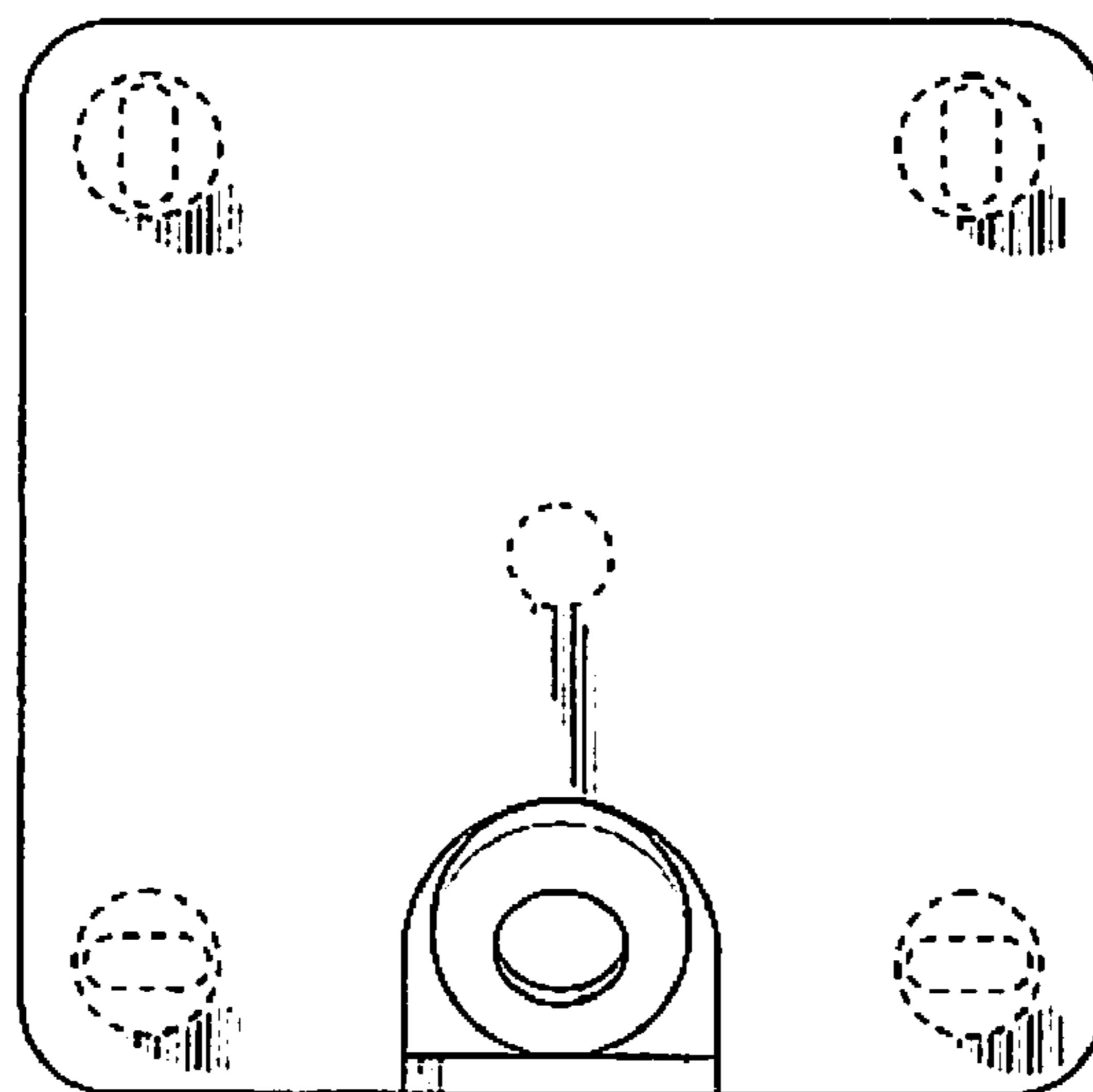
**FIG. 1**



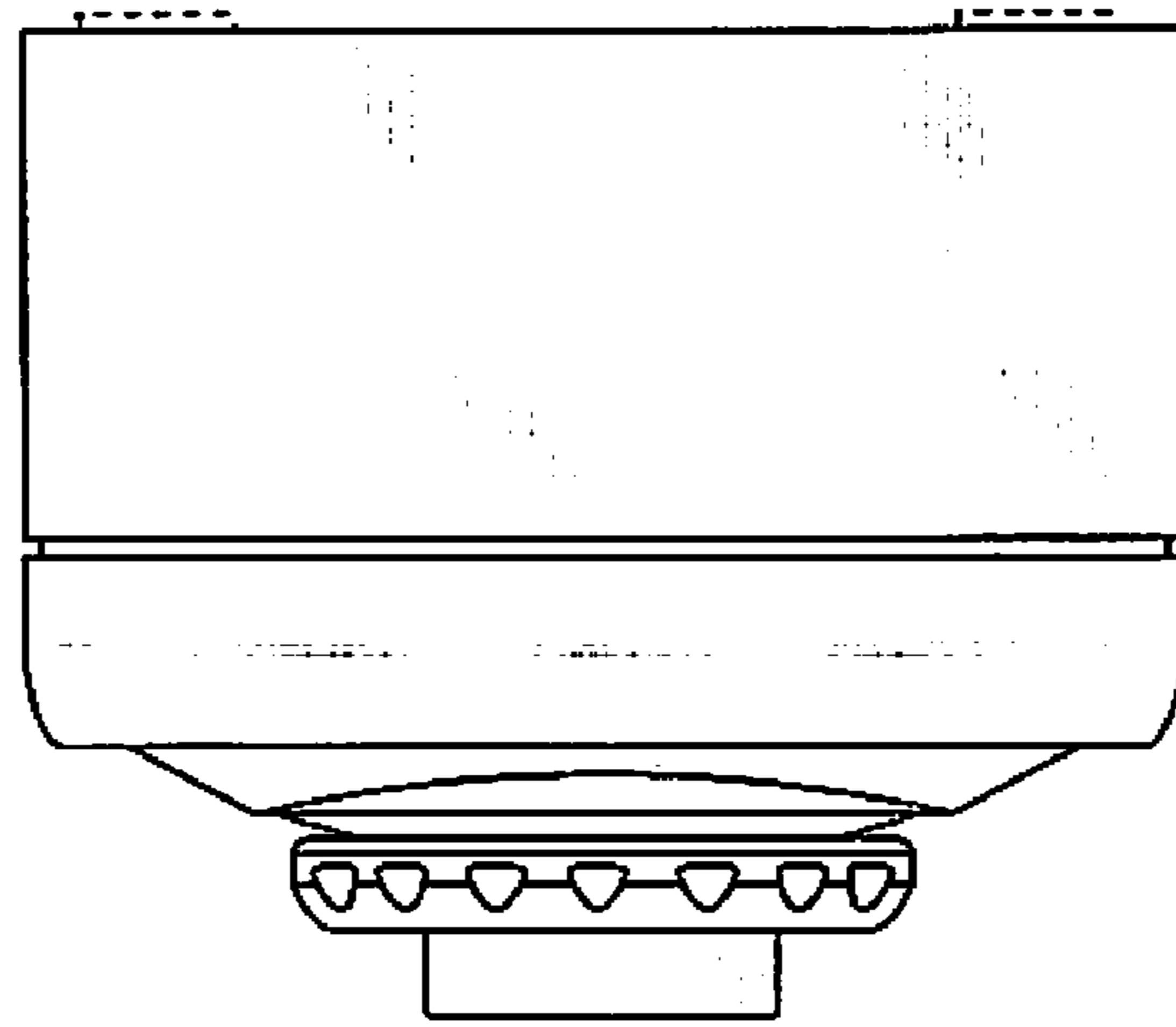
**FIG. 2**



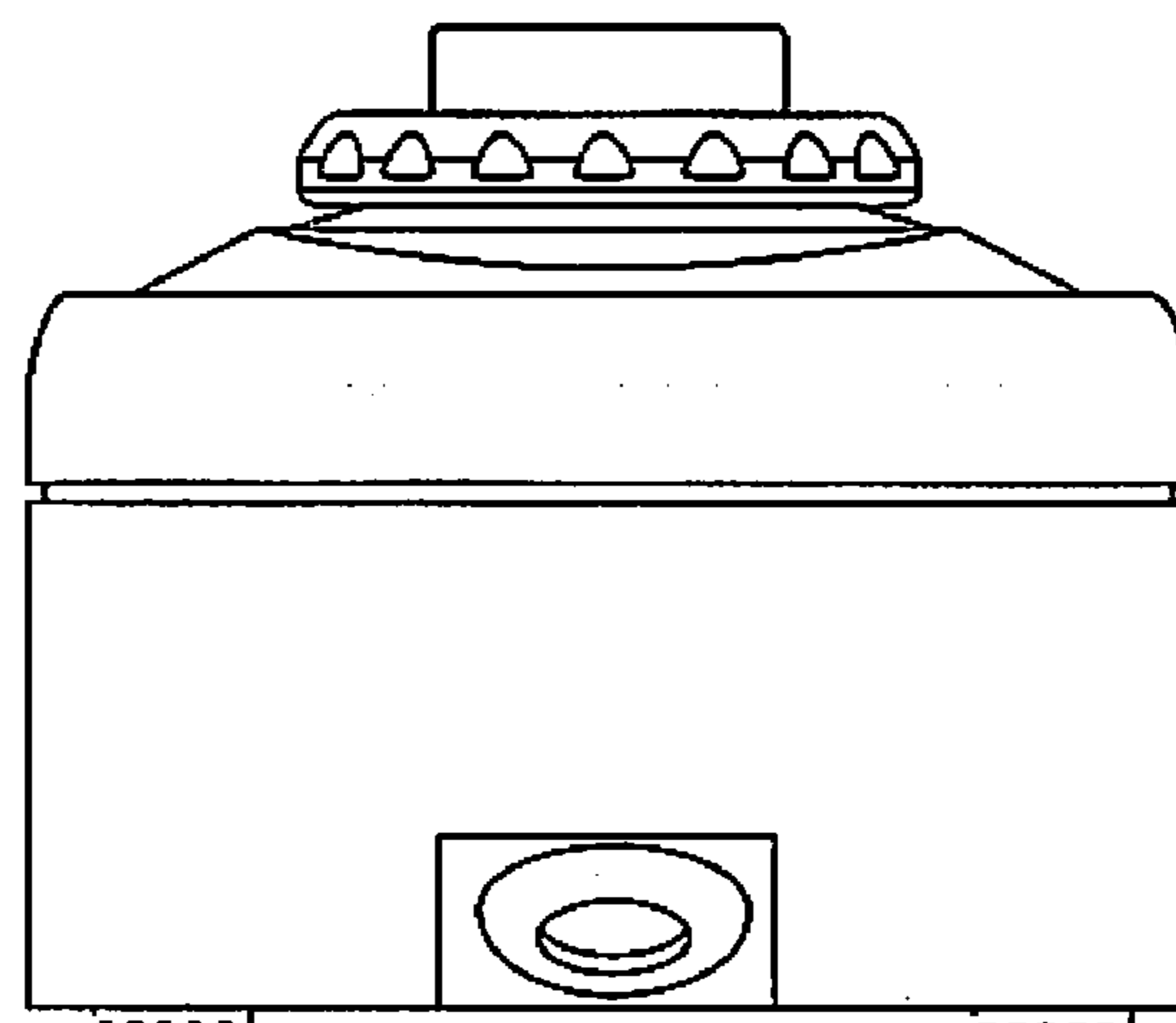
**FIG. 3**



**FIG. 4**



**FIG. 5**



**FIG. 6**

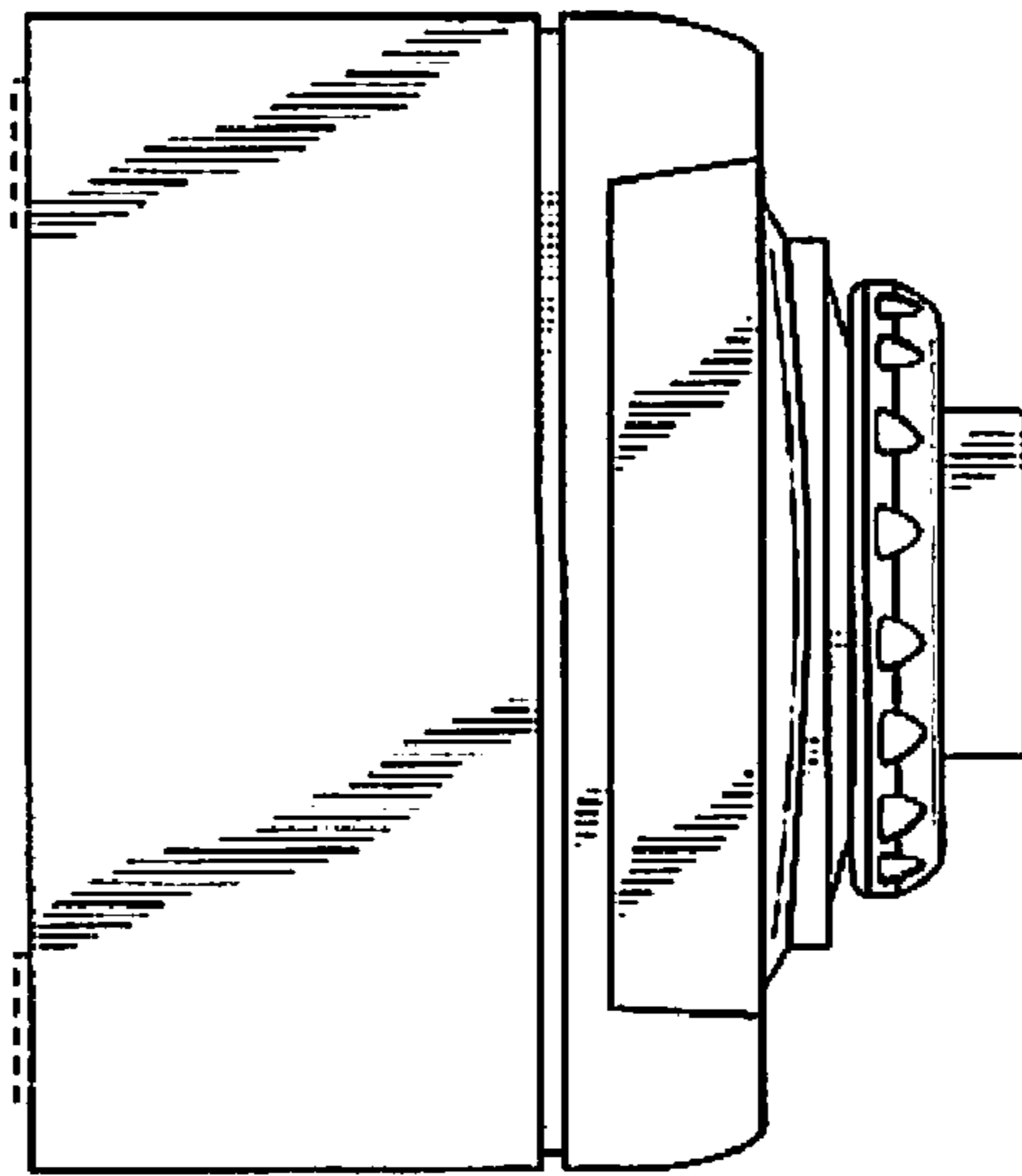


FIG. 7

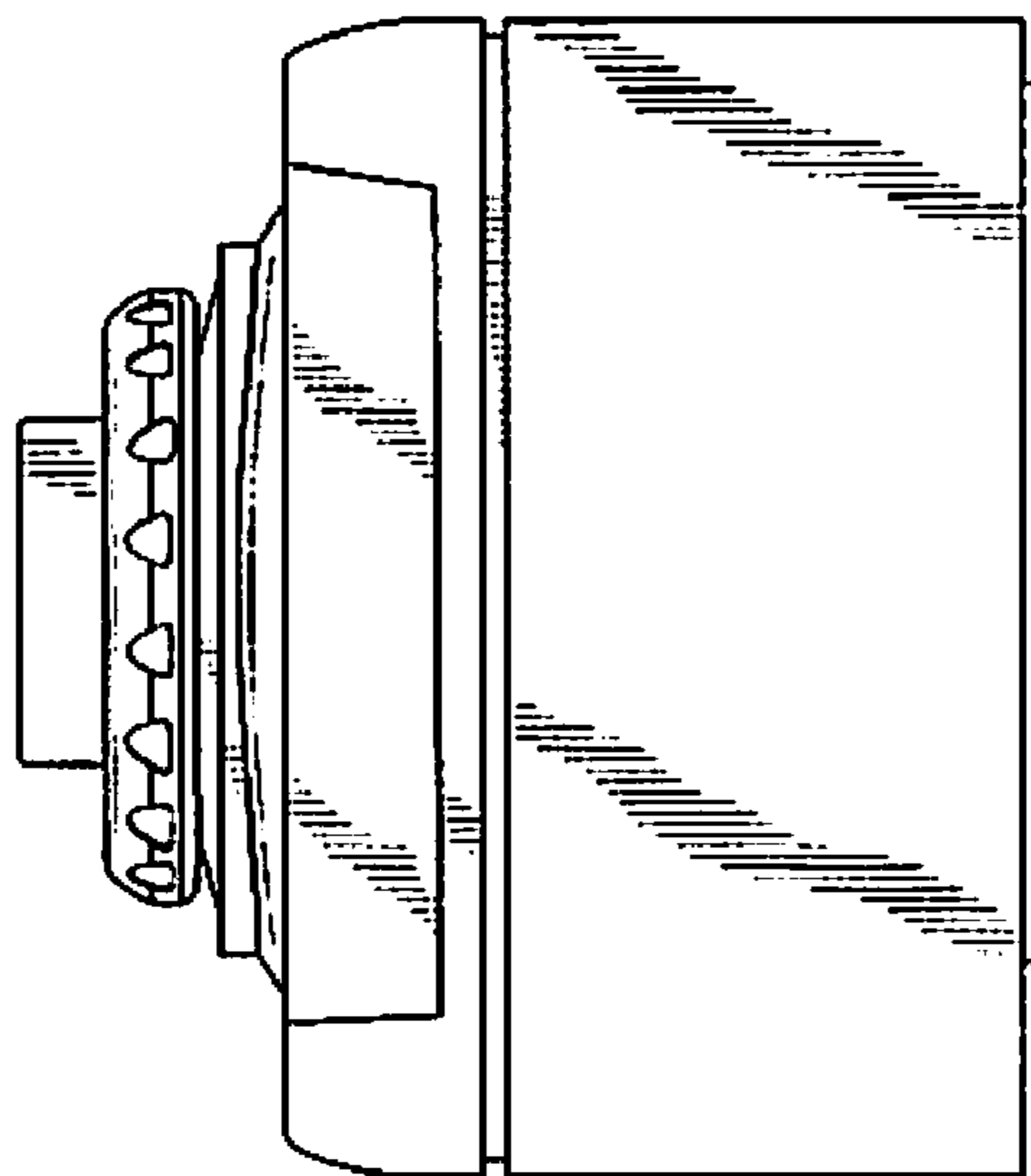


FIG. 8