



US00D576110S

(12) **United States Design Patent**
Phelps

(10) **Patent No.:** **US D576,110 S**

(45) **Date of Patent:** **** Sep. 2, 2008**

(54) **CLOSURE FOR AN ELECTRICAL CORD**

(75) Inventor: **John D. Phelps**, Largo, FL (US)

(73) Assignee: **Technology Research Corporation**,
Clearwater, FL (US)

(**) Term: **14 Years**

(21) Appl. No.: **29/292,896**

(22) Filed: **Oct. 31, 2007**

(51) **LOC (8) Cl.** **13-03**

(52) **U.S. Cl.** **D13/156**

(58) **Field of Classification Search** D13/152,
D13/154, 156, 177; 174/50; 439/367-369,
439/371

See application file for complete search history.

(56) **References Cited**

U.S. PATENT DOCUMENTS

D386,149 S *	11/1997	Malone et al.	D13/156
D479,201 S *	9/2003	Limber et al.	D13/156
D486,453 S *	2/2004	Prior, Jr.	D13/156
D496,000 S *	9/2004	Cornell	D13/156
D499,330 S *	12/2004	Peato	D13/156

* cited by examiner

Primary Examiner—Brian N Vinson

(74) *Attorney, Agent, or Firm*—Frijouf, Rust & Pyle, P.A.

(57) **CLAIM**

The ornamental design for a closure for an electrical cord, as shown and described.

DESCRIPTION

FIG. 1 is an exploded perspective view of a closure for an electrical cord showing my new design, the broken-line disclosure in the views being for illustrative purposes only and forming no part of the claimed design; opposed sides of an electrical cord shown in phantom;

FIG. 2 is a front isometric view of my new design for the closure;

FIG. 3 is a rear isometric view of my new design for the closure;

FIG. 4 is a front view thereof;

FIG. 5 is a rear view thereof;

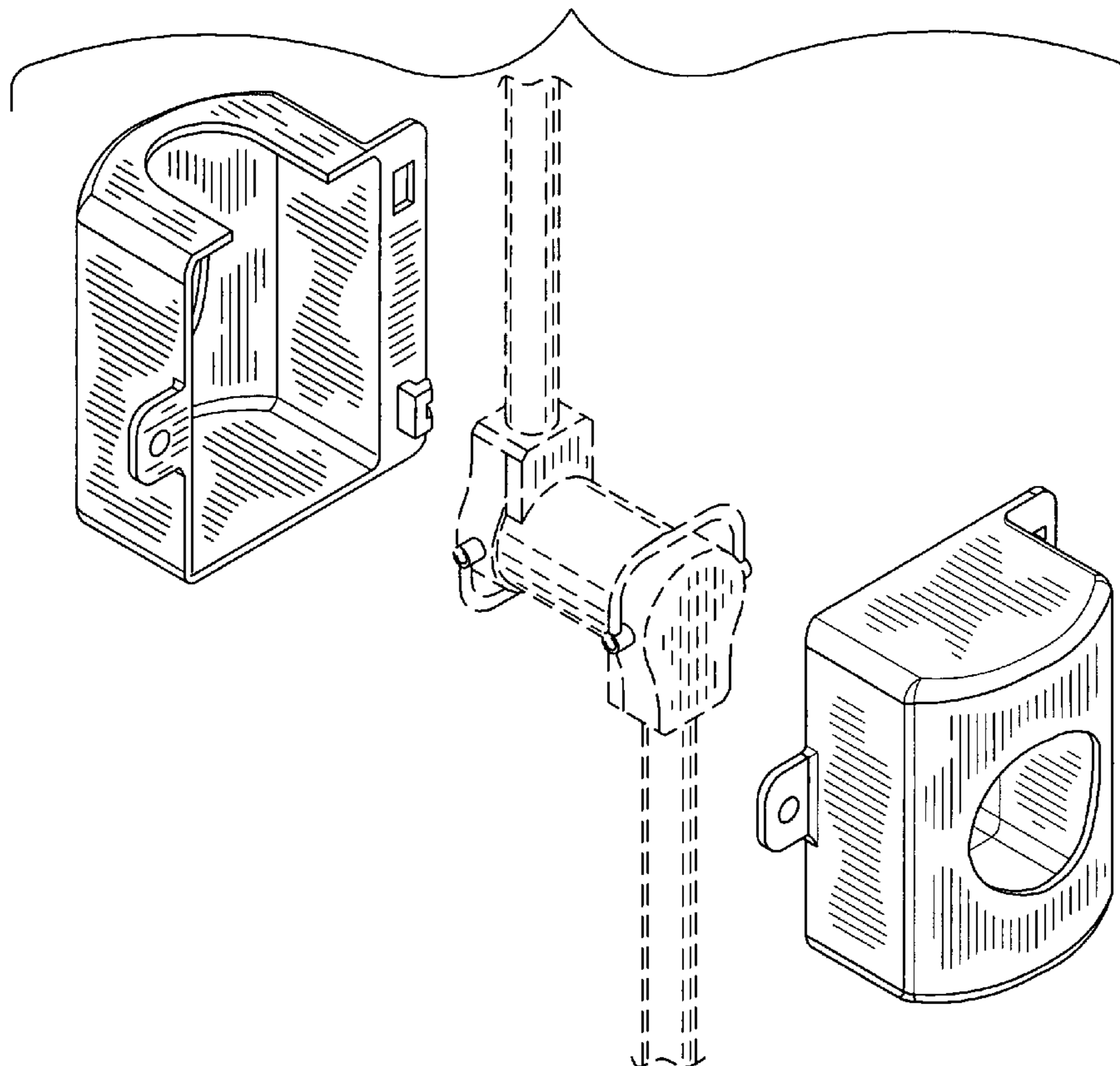
FIG. 6 is a top view thereof.

FIG. 7 is a bottom view thereof;

FIG. 8 is a left side view thereof; and,

FIG. 9 is a right side view thereof.

1 Claim, 5 Drawing Sheets



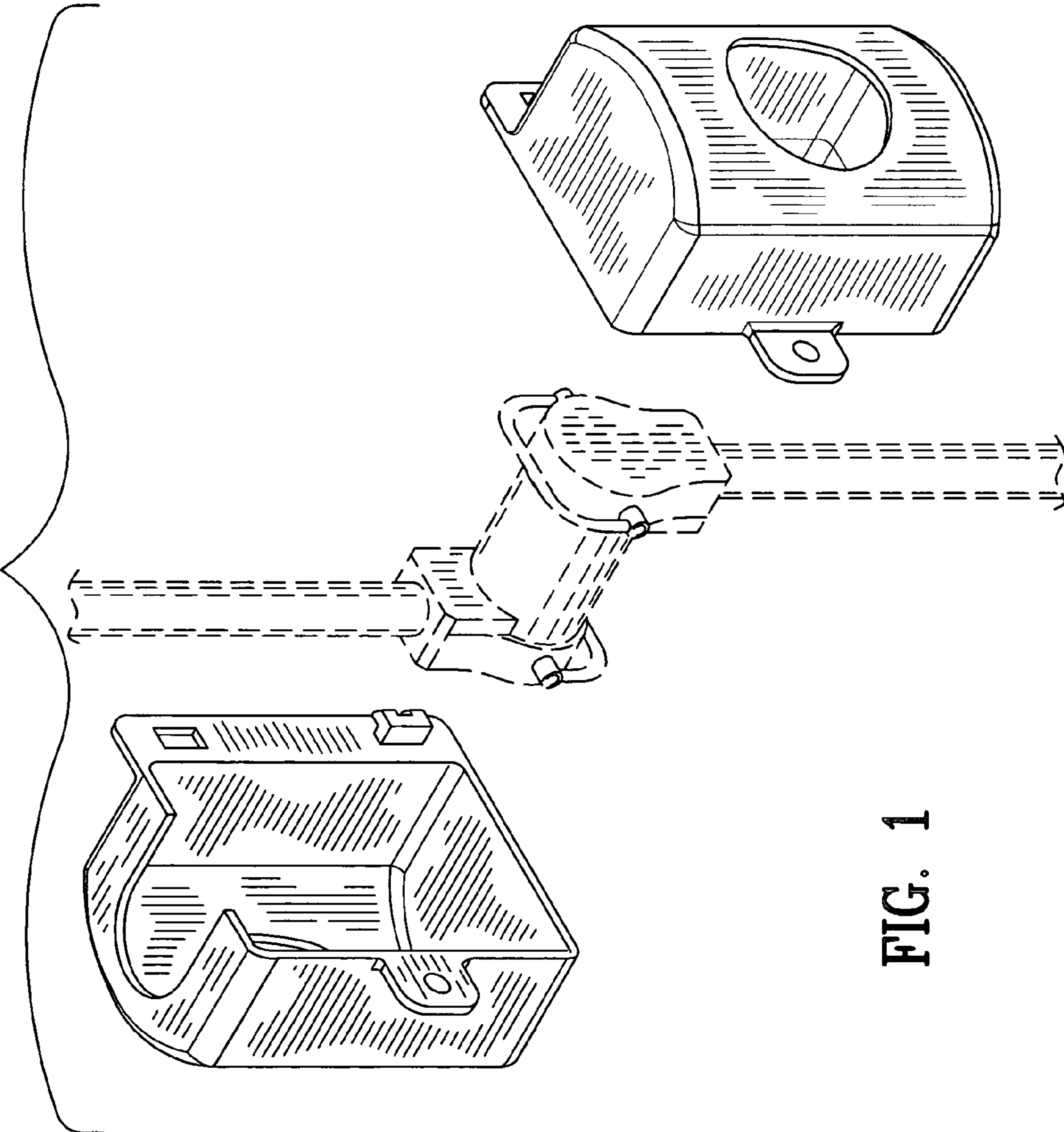


FIG. 1

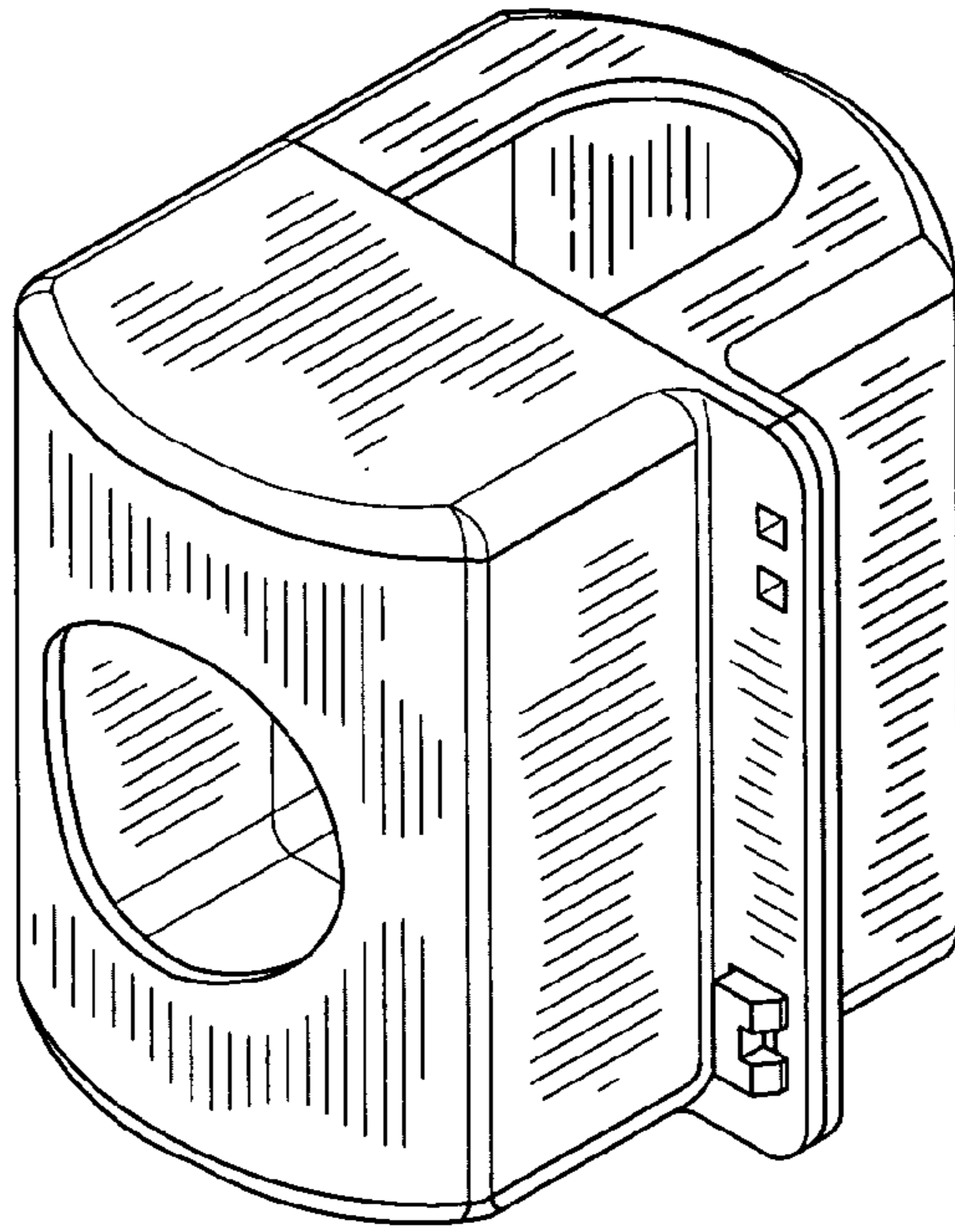


FIG. 2

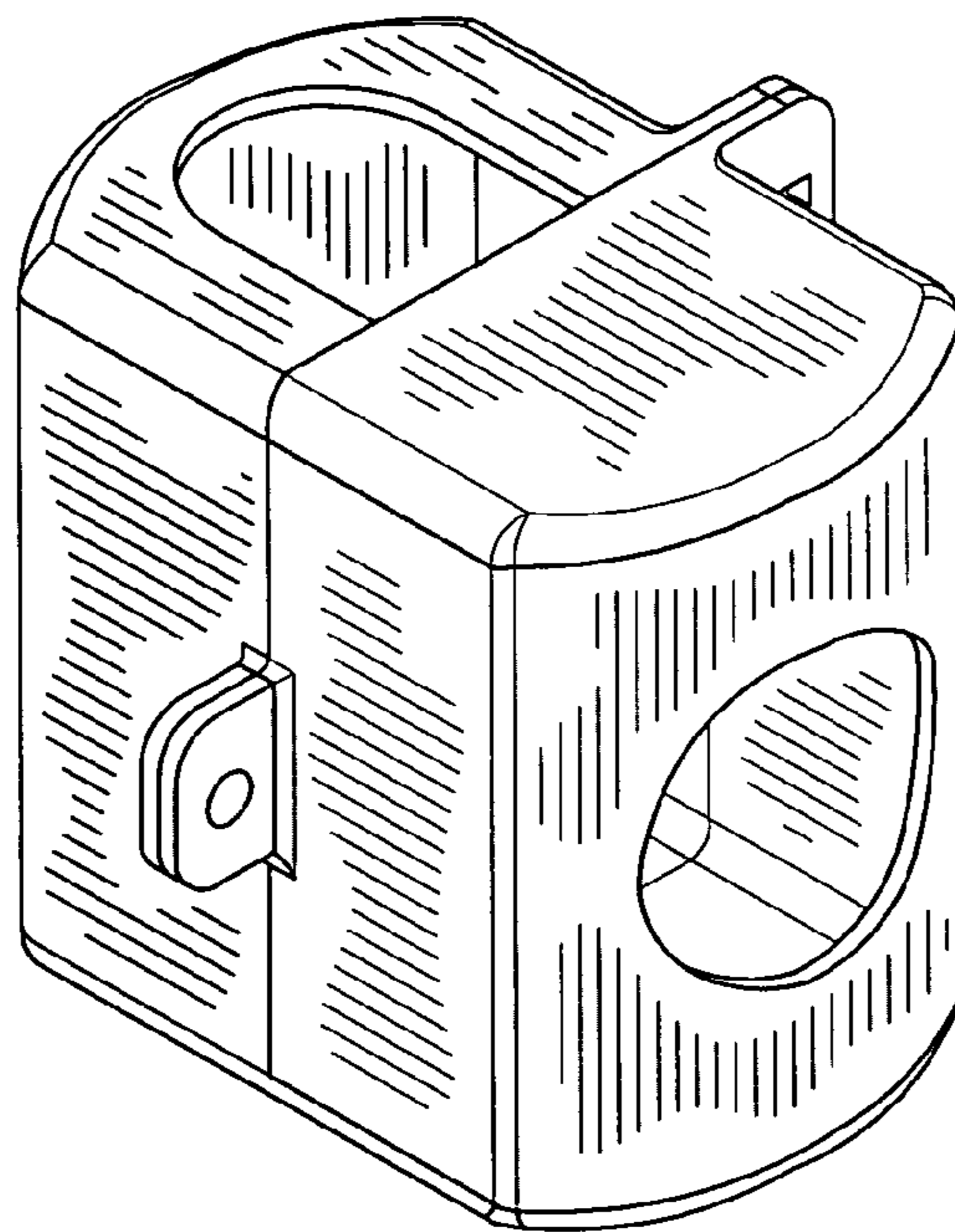


FIG. 3

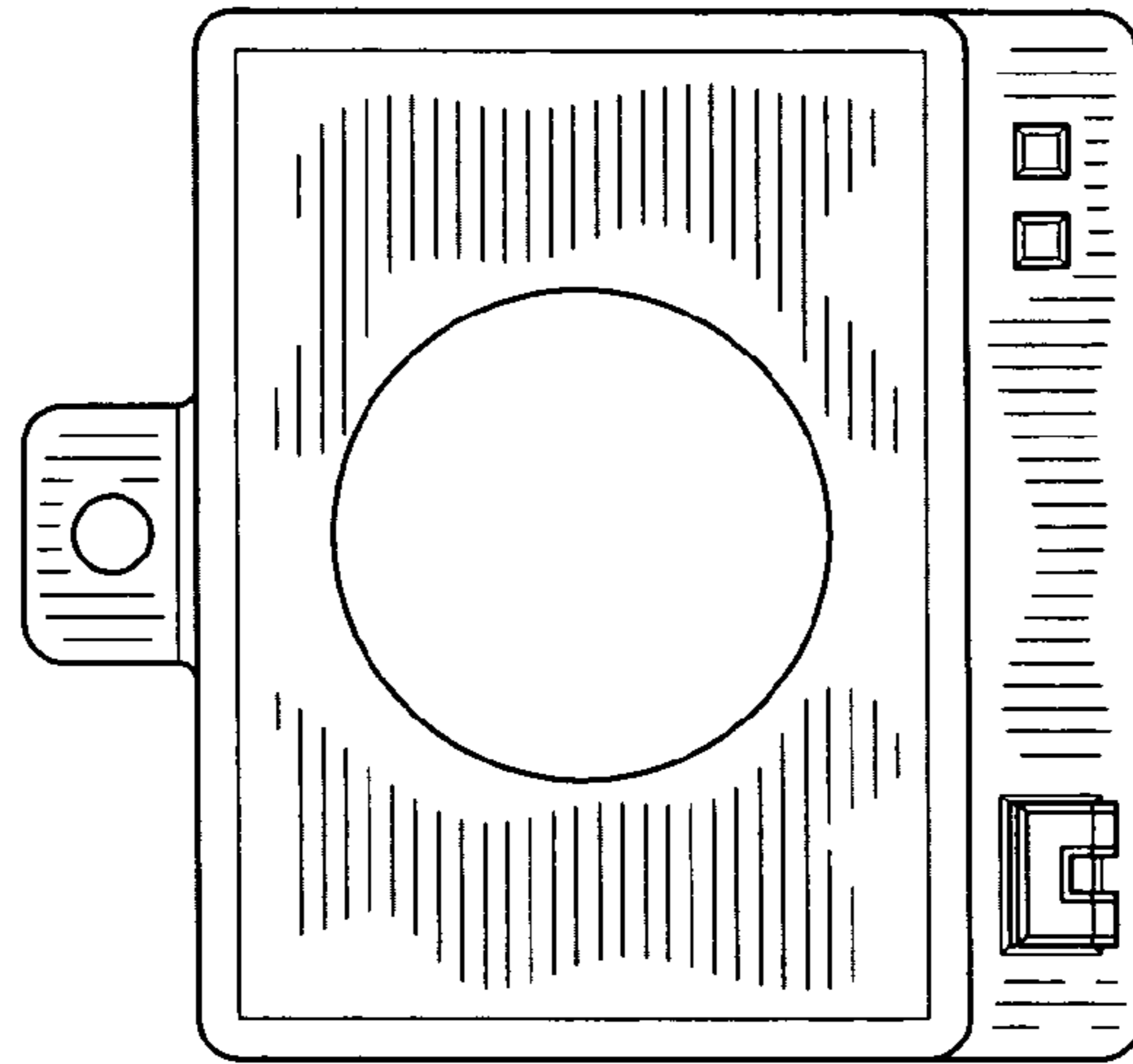


FIG. 4

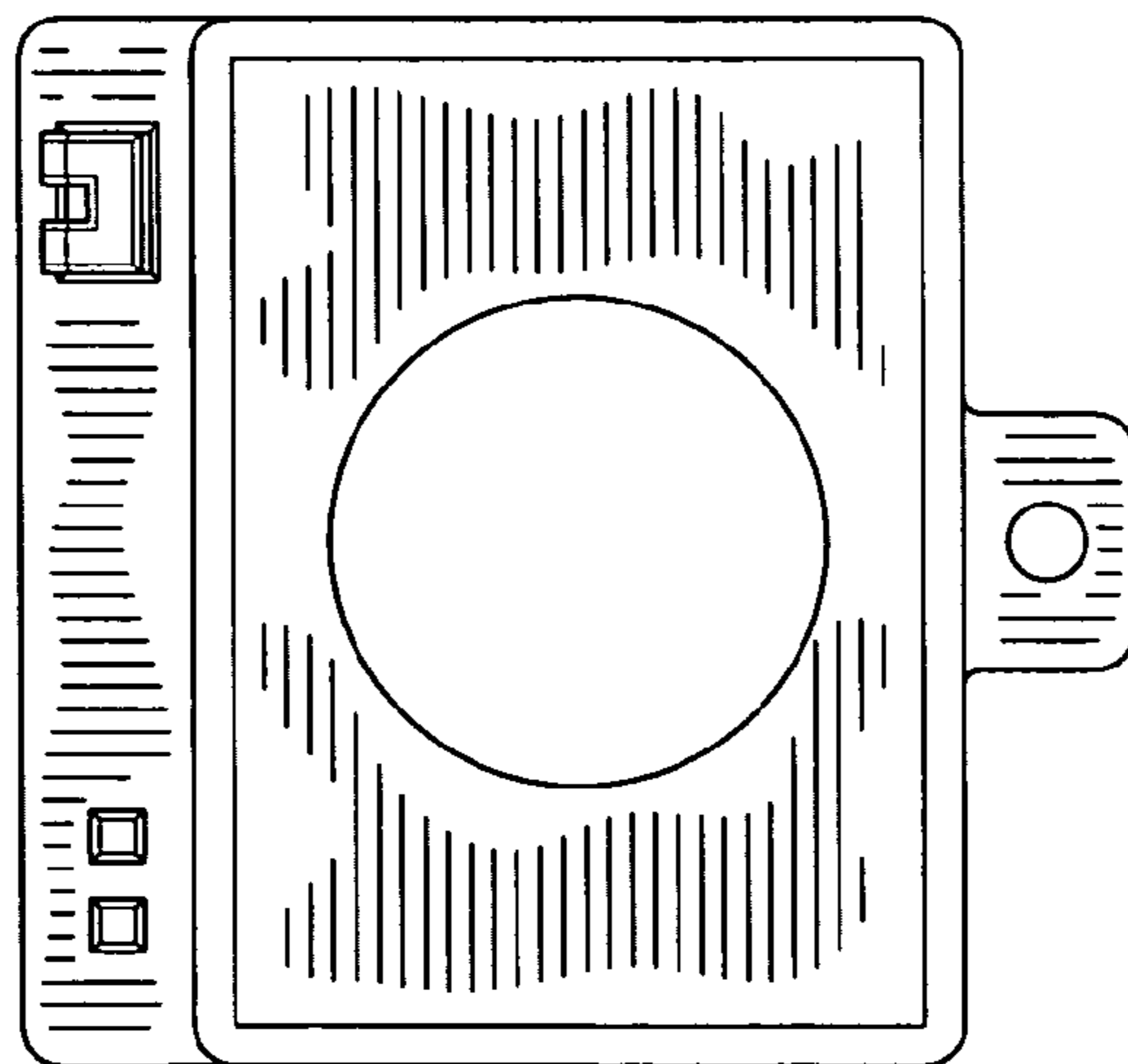


FIG. 5

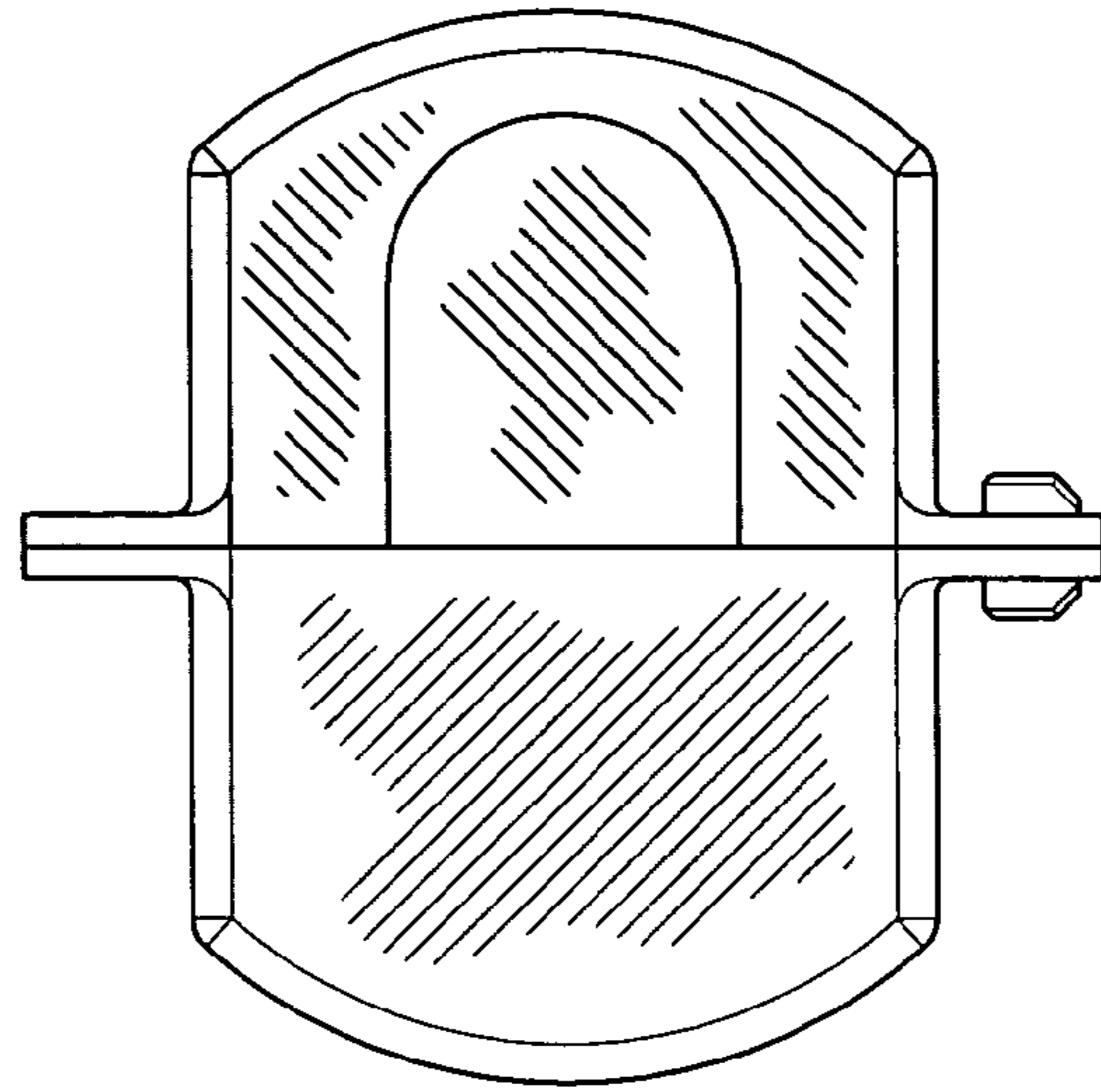


FIG. 6

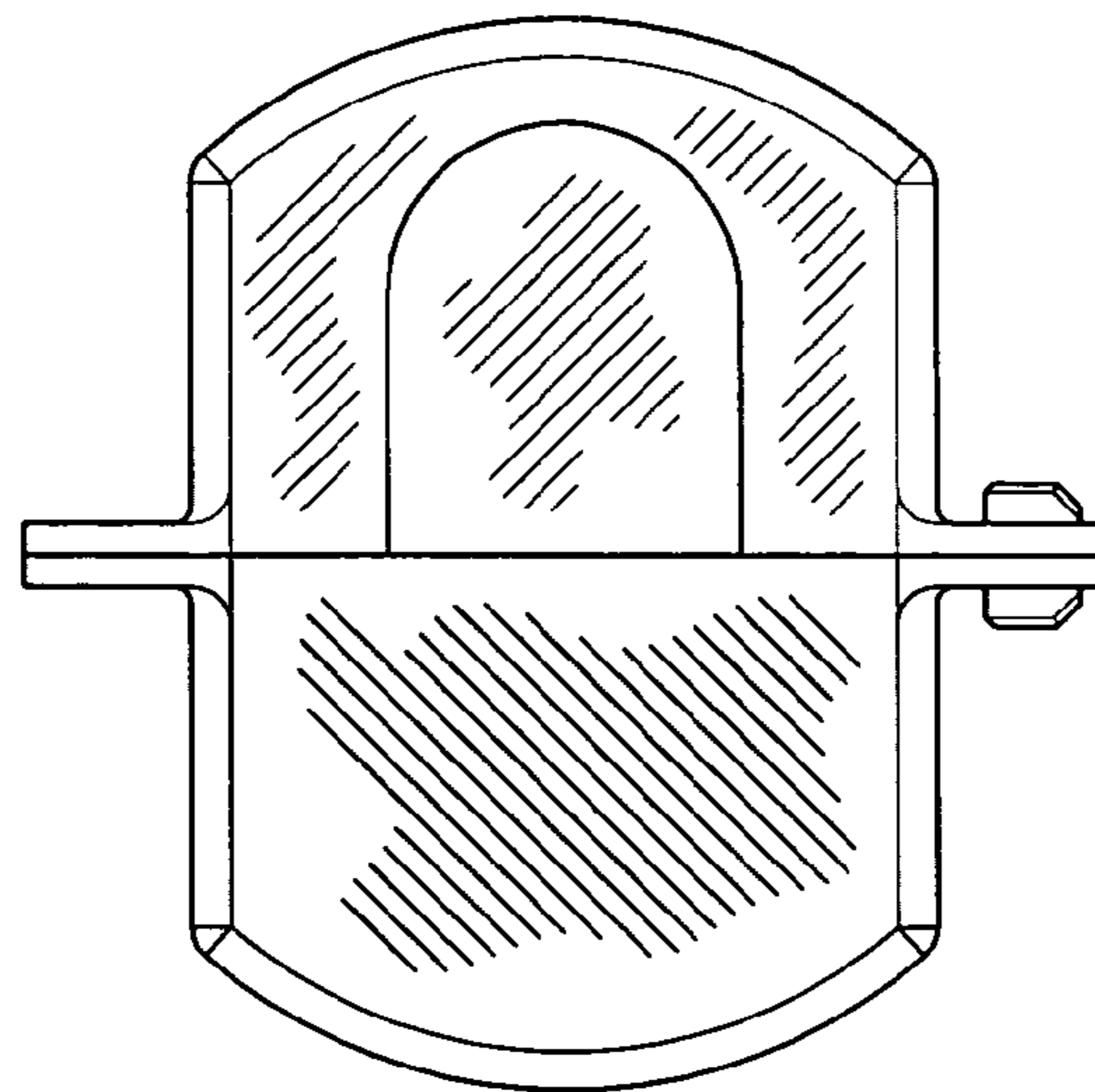


FIG. 7

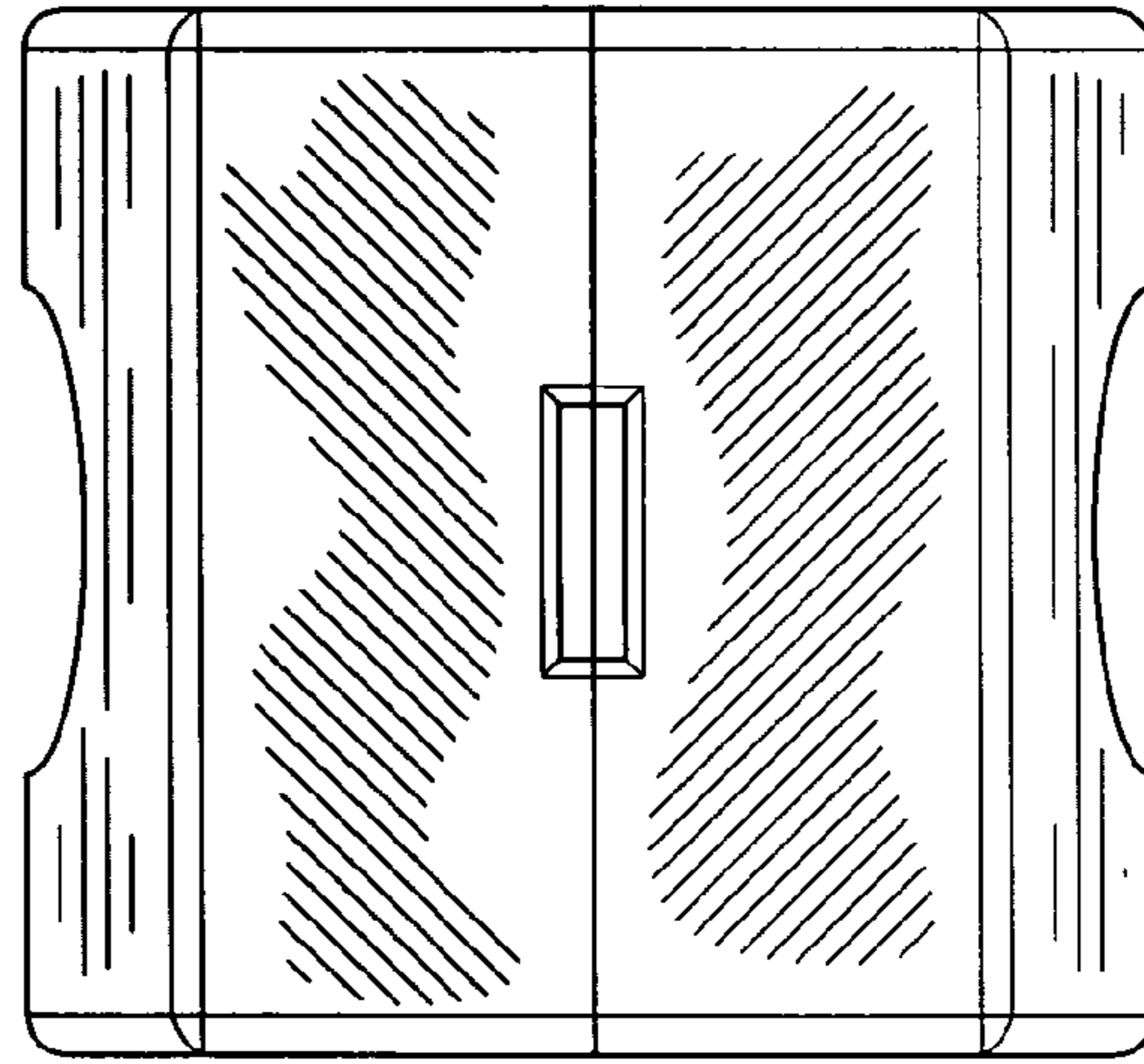


FIG. 8

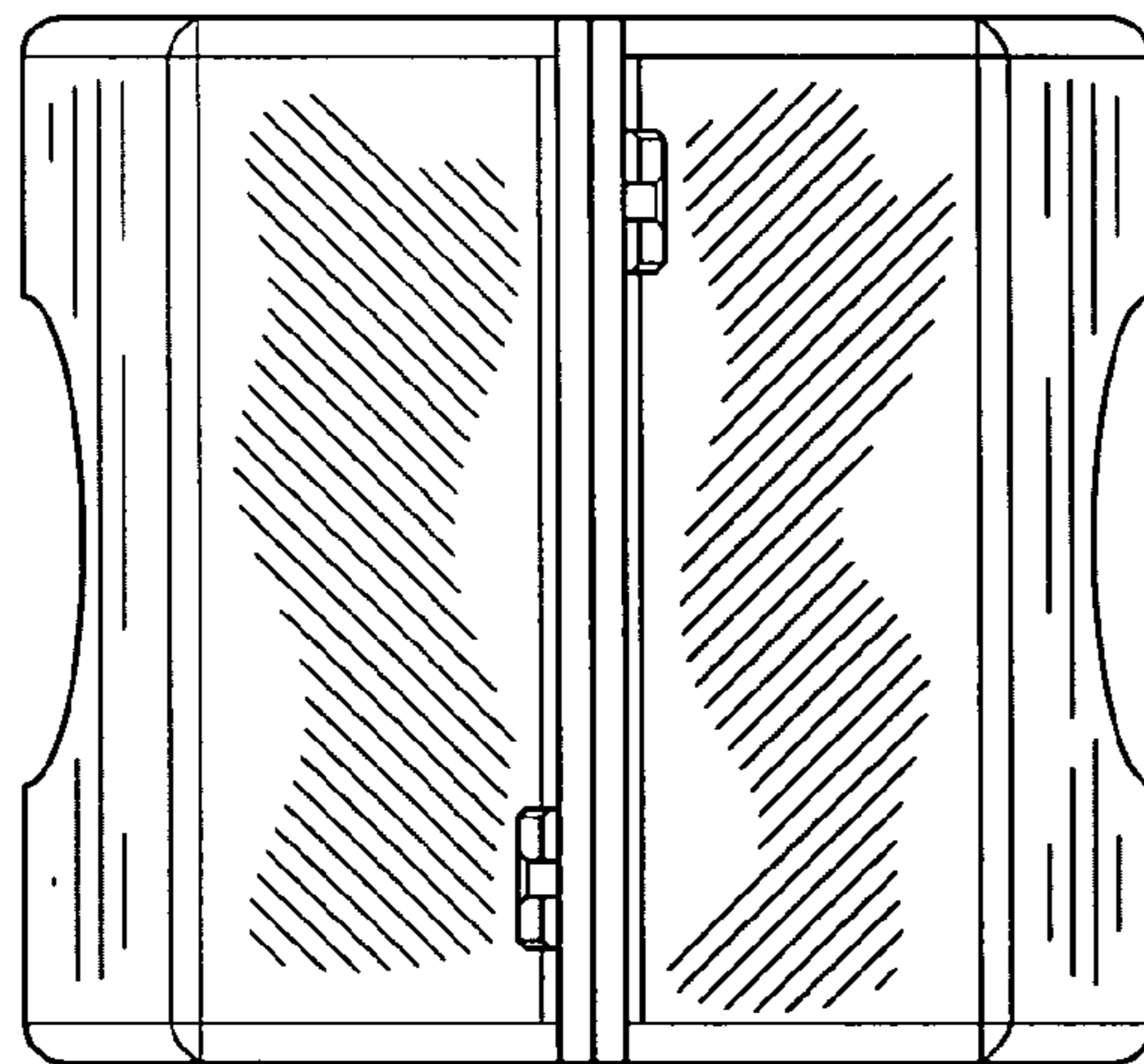


FIG. 9