

US00D576108S

(12) **United States Design Patent**  
**Sayres et al.**

(10) **Patent No.:** **US D576,108 S**  
(45) **Date of Patent:** **\*\* Sep. 2, 2008**

(54) **FIBER TROUGH HORIZONTAL T COMPONENT**  
(75) Inventors: **Derek Sayres**, Lonsdale, MN (US);  
**Thomas C. Tinucci**, Chaska, MN (US);  
**Yilmaz Bayazit**, St. Louis Park, MN (US)

(73) Assignee: **ADC Telecommunications, Inc.**, Eden Prairie, MN (US)

(\*\*) Term: **14 Years**

(21) Appl. No.: **29/276,482**

(22) Filed: **Jan. 26, 2007**

(51) **LOC (8) Cl.** ..... **13-03**  
(52) **U.S. Cl.** ..... **D13/155**  
(58) **Field of Classification Search** ..... D8/356;  
D13/154-157, 184; 104/275; 138/106-107,  
138/112-113, 116-117, 155-158, 162-163,  
138/166-169, 174; 14/169.5; 174/101, 38,  
174/68.1, 68.3, 72 A, 72 C, 75 R, 84 R, 91,  
174/92, 95, 97, 135; 385/134, 136; 248/68.1;  
403/293, 294  
See application file for complete search history.

(56) **References Cited**

**U.S. PATENT DOCUMENTS**

799,320 A 9/1905 Franks  
3,035,800 A \* 5/1962 McLeod ..... 248/68.1  
3,351,699 A 11/1967 Merckle  
3,761,603 A 9/1973 Hays  
D237,500 S \* 11/1975 Legerius ..... D13/155  
3,927,698 A 12/1975 Johannsen  
4,077,434 A 3/1978 Sieckert  
D278,229 S \* 4/1985 Widell et al. .... D13/147  
4,907,767 A 3/1990 Corsi  
4,951,716 A 8/1990 Tsunoda  
D320,782 S \* 10/1991 Henneberger ..... D13/155  
D320,976 S \* 10/1991 Henneberger ..... D13/155  
D321,682 S 11/1991 Henneberger  
D321,862 S 11/1991 Henneberger  
5,067,678 A 11/1991 Henneberger

D322,596 S \* 12/1991 Henneberger ..... D13/155  
5,160,811 A 11/1992 Ritzmann  
5,161,580 A 11/1992 Klug  
5,240,209 A 8/1993 Kutsch  
5,271,585 A 12/1993 Zetena, Jr.  
5,316,243 A 5/1994 Henneberger

(Continued)

**FOREIGN PATENT DOCUMENTS**

DE 1 130 492 5/1962

(Continued)

**OTHER PUBLICATIONS**

International Search Report mailed Jan. 29, 2007 (PCT/US2006/038648).

(Continued)

*Primary Examiner*—Cathron Brooks  
*Assistant Examiner*—Rosemary K Tarcza  
(74) *Attorney, Agent, or Firm*—Merchant & Gould P.C.

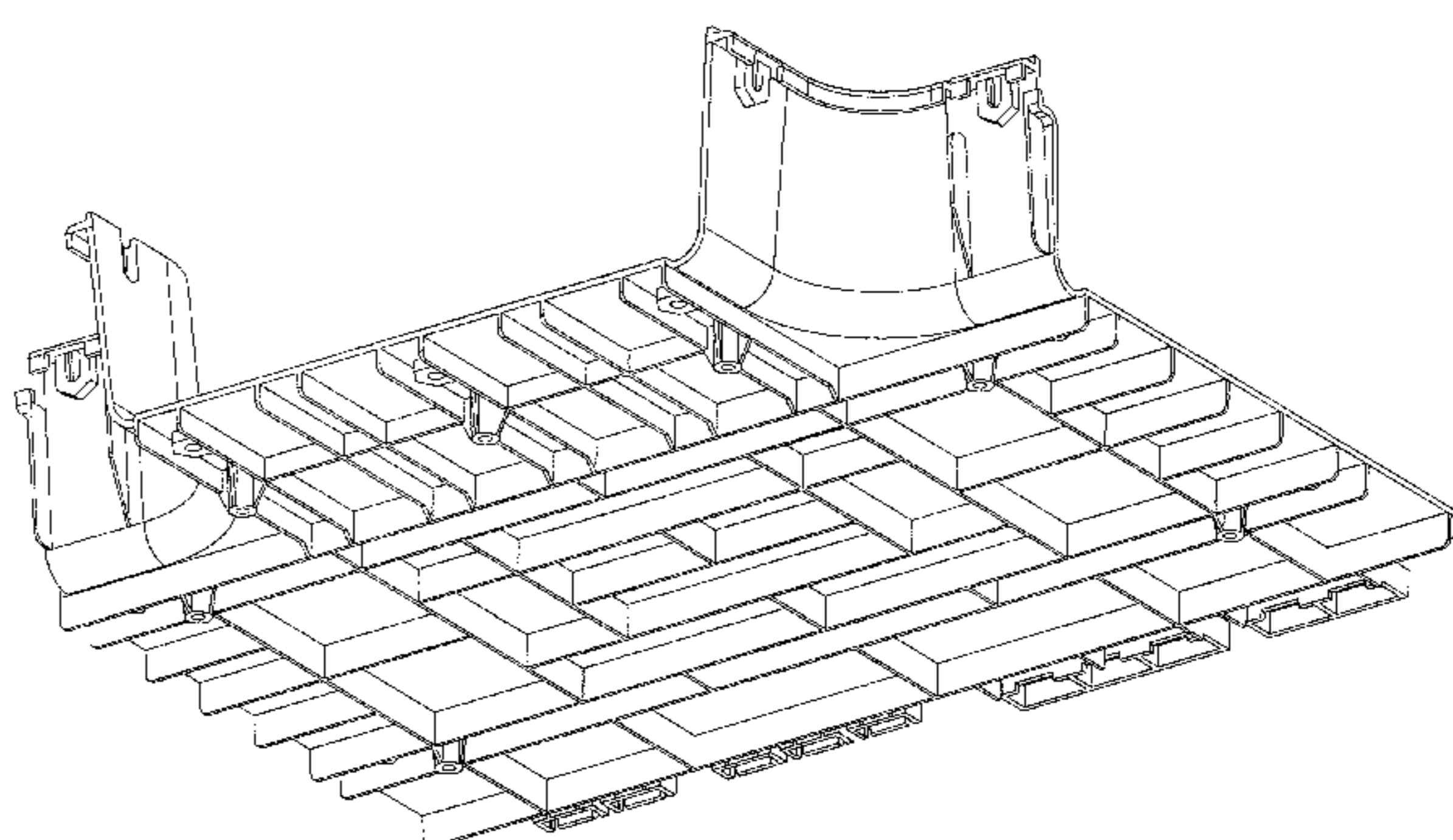
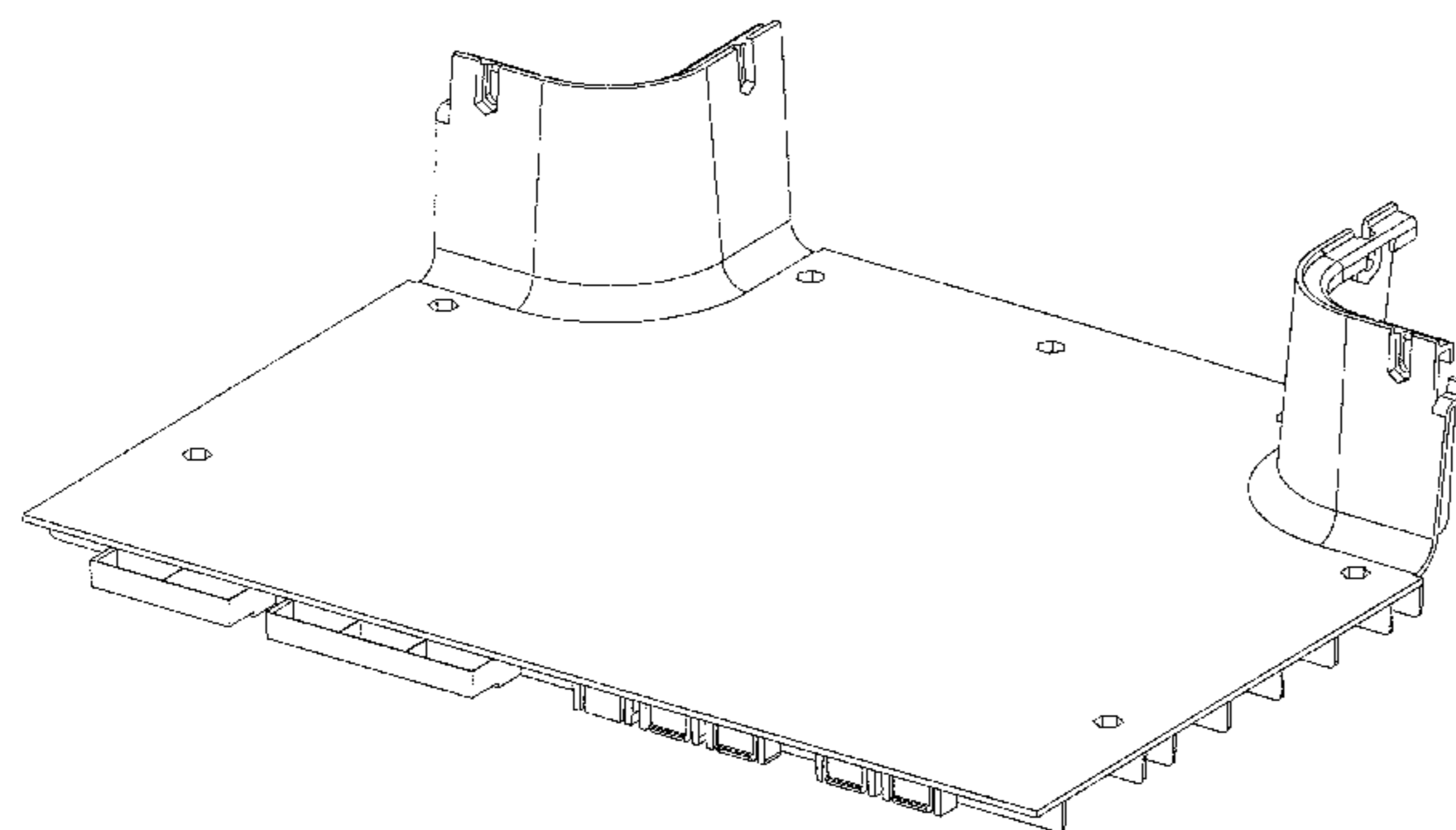
(57) **CLAIM**

The ornamental design for a fiber trough horizontal T component, as shown and described.

**DESCRIPTION**

FIG. 1 is a first top perspective view of the fiber trough horizontal T component.  
FIG. 2 is a second top perspective view thereof.  
FIG. 3 is a first bottom perspective view thereof.  
FIG. 4 is a second bottom perspective view thereof.  
FIG. 5 is a first side view thereof.  
FIG. 6 is a second side view thereof.  
FIG. 7 is a third side view thereof.  
FIG. 8 is a fourth side view thereof.  
FIG. 9 is a top view thereof; and,  
FIG. 10 is a bottom view thereof.

**1 Claim, 8 Drawing Sheets**



# US D576,108 S

Page 2

## U.S. PATENT DOCUMENTS

5,316,244	A	5/1994	Zetena, Jr.	
5,335,349	A	8/1994	Kutsch	
5,469,893	A	11/1995	Caveney	
5,503,354	A	4/1996	Lohf	
5,715,099	A *	2/1998	Takemoto	..... 359/819
5,752,781	A	5/1998	Haataja	
5,753,855	A	5/1998	Nicoli	
5,899,025	A	5/1999	Casey	
5,923,753	A	7/1999	Haataja	
5,937,131	A	8/1999	Haataja	
D415,471	S *	10/1999	Henry	..... D13/155
5,995,699	A	11/1999	Vargas	
6,037,538	A	3/2000	Brooks	
6,037,543	A	3/2000	Nicoli	
6,076,779	A	6/2000	Johnson	
6,107,575	A	8/2000	Miranda	
6,198,047	B1	3/2001	Barr	
D447,737	S *	9/2001	Scherer et al.	..... D13/155
6,437,244	B1 *	8/2002	Vander Velde	..... 174/68.3
6,450,458	B1	9/2002	Bernard	
6,522,823	B1	2/2003	Wentworth	
6,535,683	B1	3/2003	Johnson	
6,559,378	B1	5/2003	Bernard	
6,603,073	B2 *	8/2003	Ferris	..... 174/68.3
6,625,373	B1	9/2003	Wentworth	
6,631,875	B1	10/2003	Kampf	
6,634,805	B1	10/2003	Bernard	
6,708,918	B2	3/2004	Ferris	
6,709,186	B2	3/2004	Ferris	
6,715,719	B2	4/2004	Nault	
6,727,434	B2	4/2004	Jadaud	
6,739,795	B1	5/2004	Haataja	
7,034,227	B2	4/2006	Fox	
7,045,707	B1	5/2006	Galasso	
2002/0096606	A1	7/2002	Bernard	
2003/0047343	A1	3/2003	Ferris	
2004/0124321	A1	7/2004	Kampf	
2004/0159750	A1 *	8/2004	Ferris et al.	..... 248/68.1
2007/0092196	A1	4/2007	Bayazit	

## FOREIGN PATENT DOCUMENTS

DE		37 42 448	A1	6/1989
----	--	-----------	----	--------

DE		296 10 947	U1	8/1996
EP		0 863 594	A2	9/1998
EP		0 933 850	A1	8/1999
FR		2 238 828		2/1975
FR		2 735 557	A1	12/1996
JP		5-172281	A	7/1993
SU		1272387	A1	11/1986

## OTHER PUBLICATIONS

ADC Telecommunications brochure entitled "FiberGuide® Fiber Management Systems," 33 pages, dated Oct. 1995.

Warren & Brown & Staff brochure pages entitled "lightpaths," Issue 2, 11 pages, dated 1995.

ADC Telecommunications brochure entitled "Fiber Guide™ Fiber Management System," 6 pages, dated Jun. 1989.

ADC Telecommunications brochure entitled "ADC FiberGuide® System Express Exit™ 2x2," 2 pages, dated May 1999.

ADC Telecommunications brochure entitled "FiberGuide® Fiber Management Systems," 37 pages, dated Jun. 1998.

ADC Telecommunications brochure entitled "FiberGuide® Fiber Management Systems," 56 pages, dated Sep. 2000.

ADC Telecommunications brochure entitled "FiberGuide® Fiber Management Systems," 90 pages, dated May 2005.

U.S. Appl. No. 29/276,478 filed on Jan. 26, 2007.

U.S. Appl. No. 29/276,479 filed on Jan. 26, 2007.

U.S. Appl. No. 29/276,480 filed on Jan. 26, 2007.

U.S. Appl. No. 29/276,481 filed on Jan. 26, 2007.

U.S. Appl. No. 29/276,483 filed on Jan. 26, 2007.

U.S. Appl. No. 29/276,485 filed on Jan. 26, 2007.

U.S. Appl. No. 29/276,486 filed on Jan. 26, 2007.

U.S. Appl. No. 29/276,487 filed on Jan. 26, 2007.

U.S. Appl. No. 29/276,488 filed on Jan. 26, 2007.

U.S. Appl. No. 29/276,489 filed on Jan. 26, 2007.

U.S. Appl. No. 29/276,490 filed on Jan. 26, 2007.

U.S. Appl. No. 29/276,507 filed on Jan. 26, 2007.

U.S. Appl. No. 11/698,799 filed on Jan. 26, 2007.

Various Components of ADC's 4x4 FiberGuide® System (admitted prior art as of the filing date of the present application).

Various Components of ADC's 4x6 FiberGuide® System (admitted prior art as of the filing date of the present application).

Various Components of ADC's 4x12 FiberGuide® System (admitted prior art as of the filing date of the present application).

\* cited by examiner

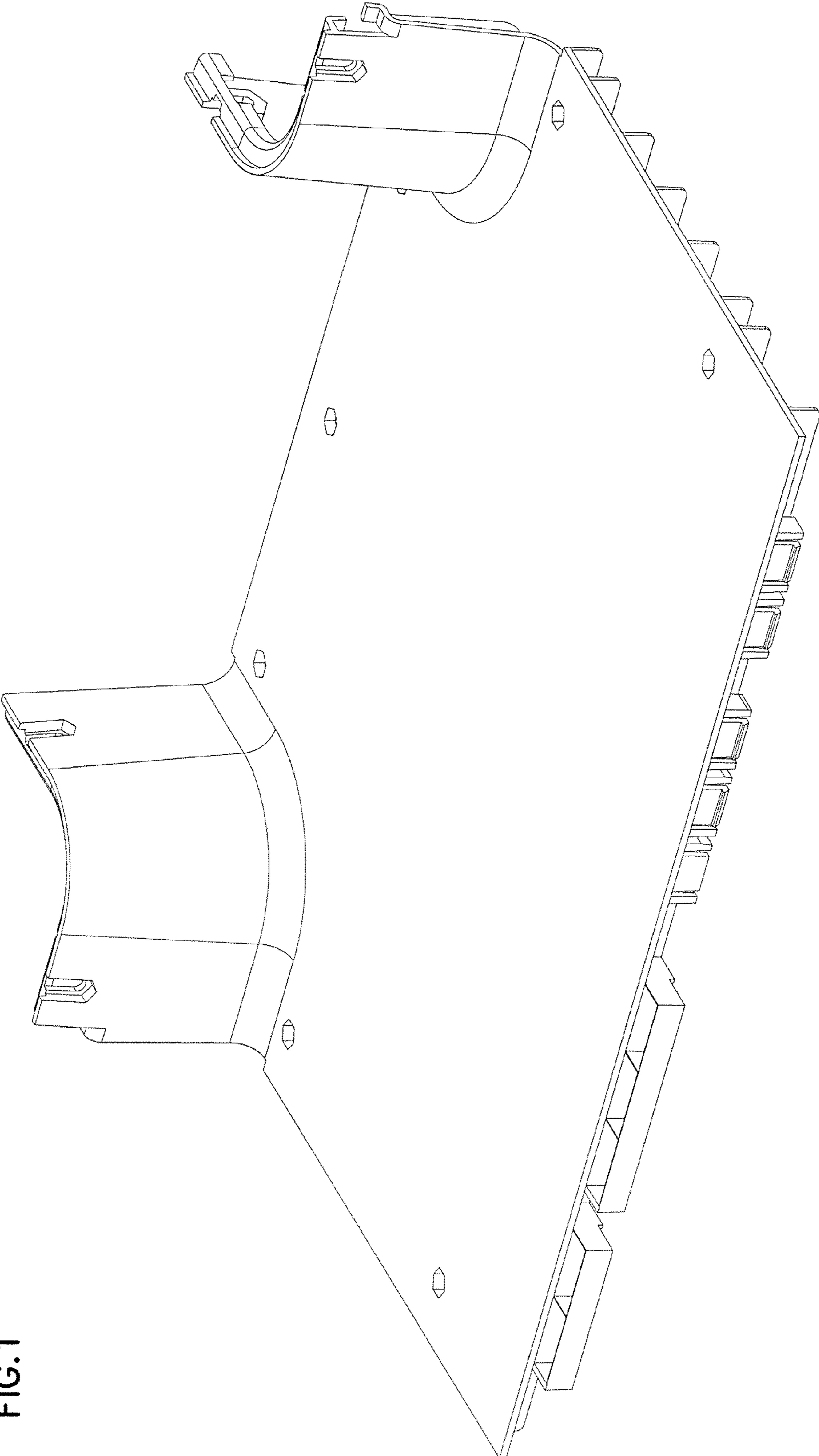
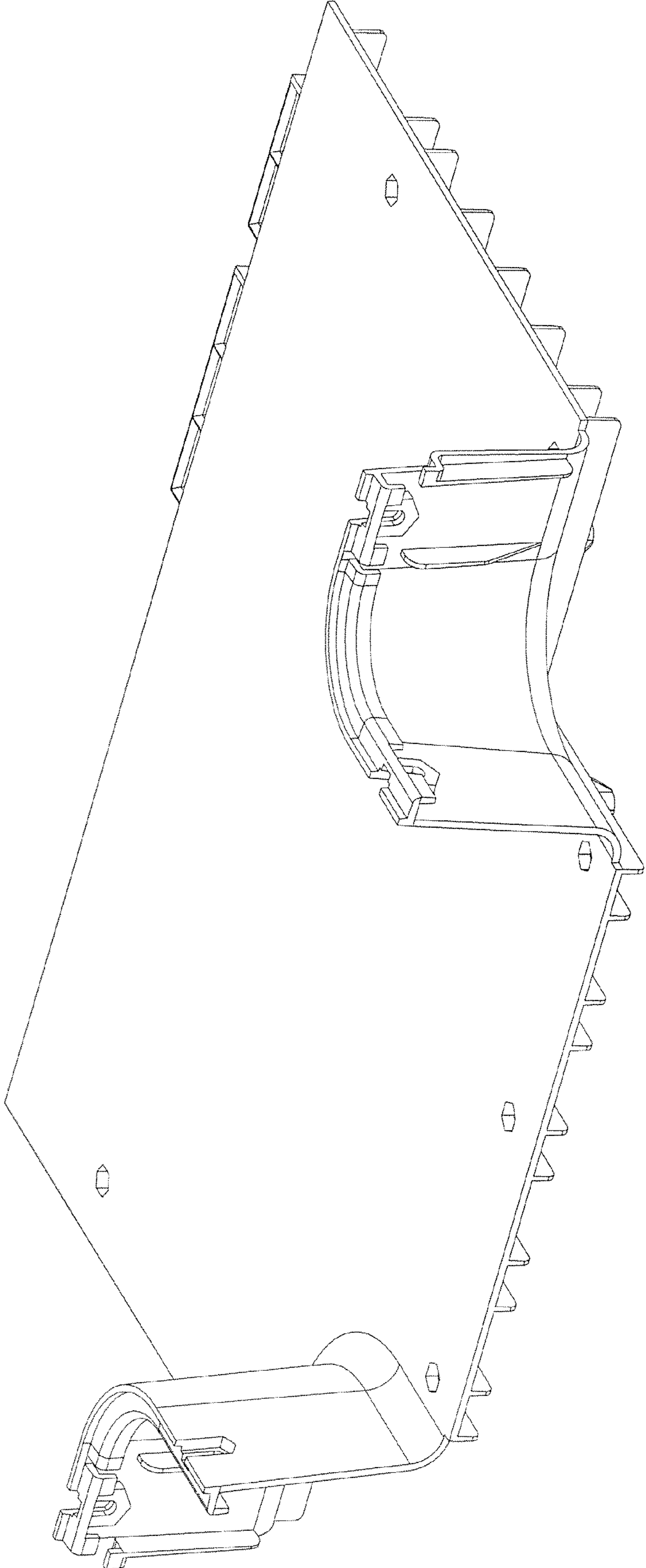


FIG. 1

FIG.2



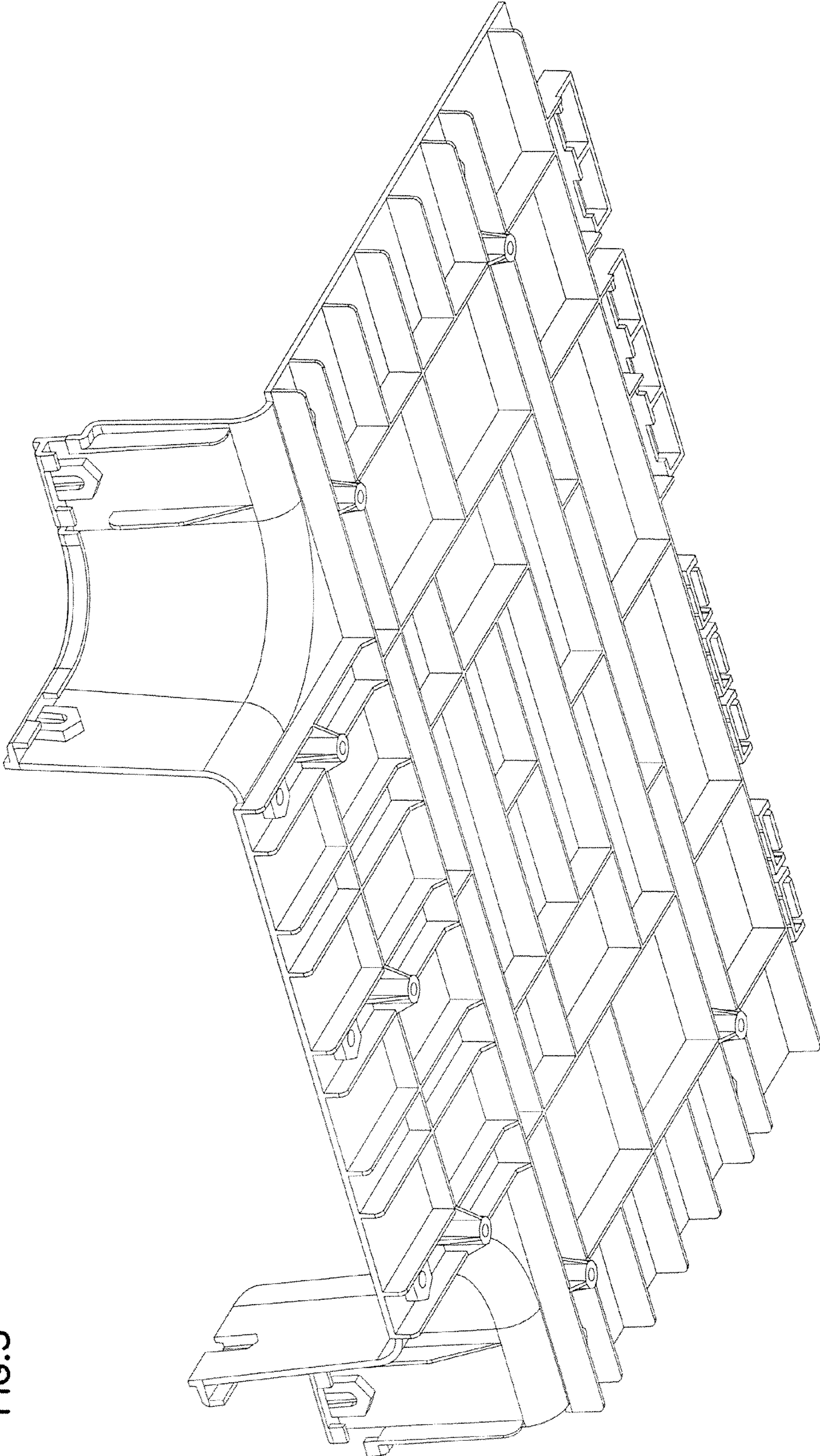


FIG.3

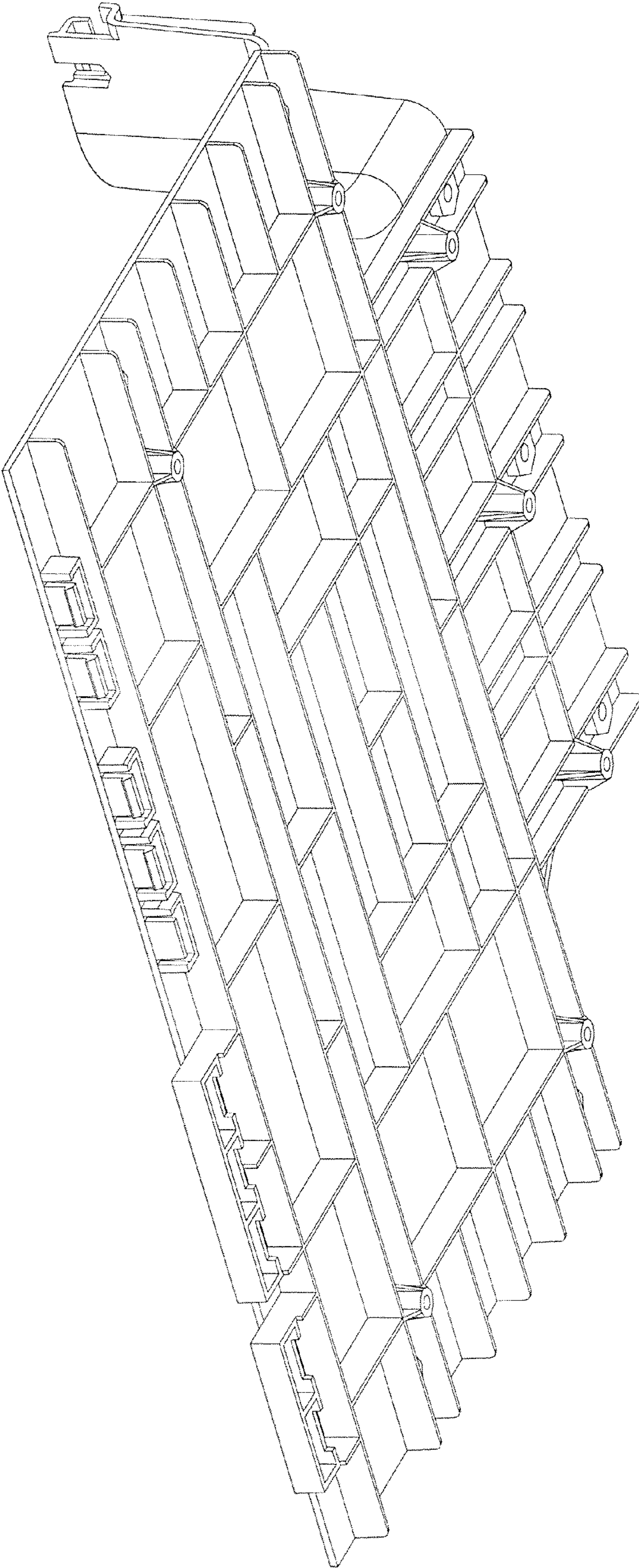


FIG.4

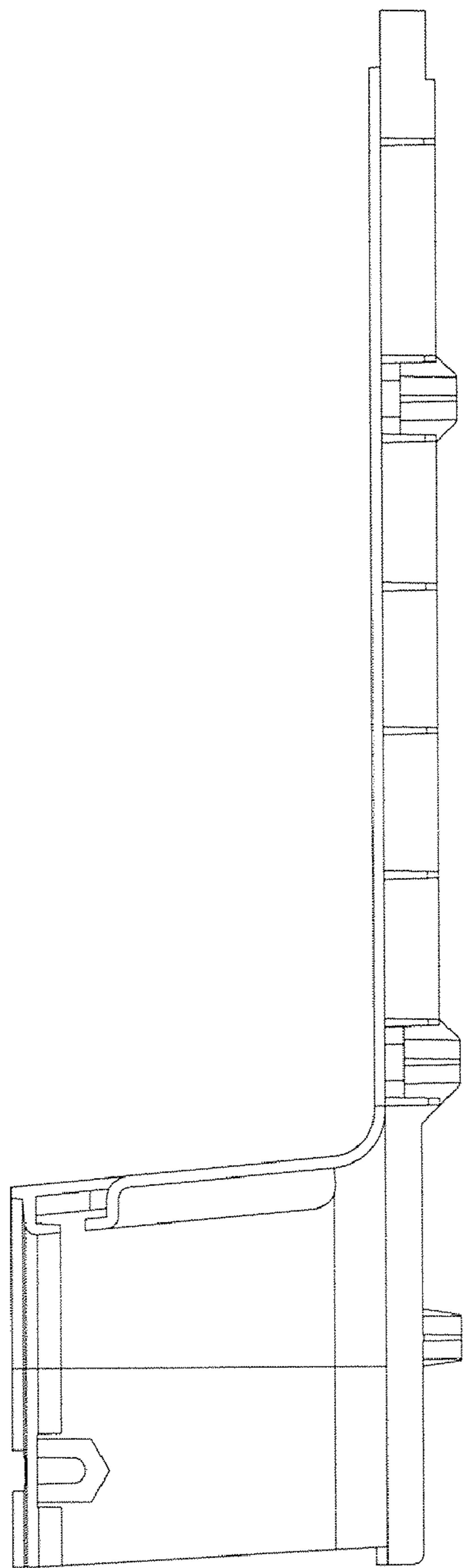


FIG. 5

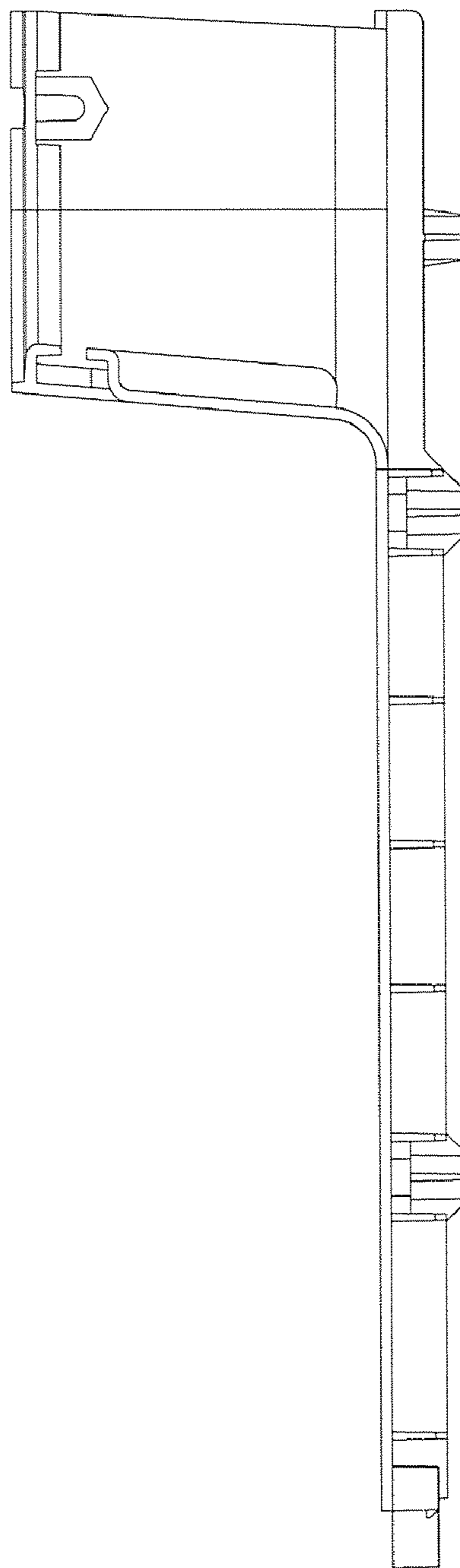


FIG. 8

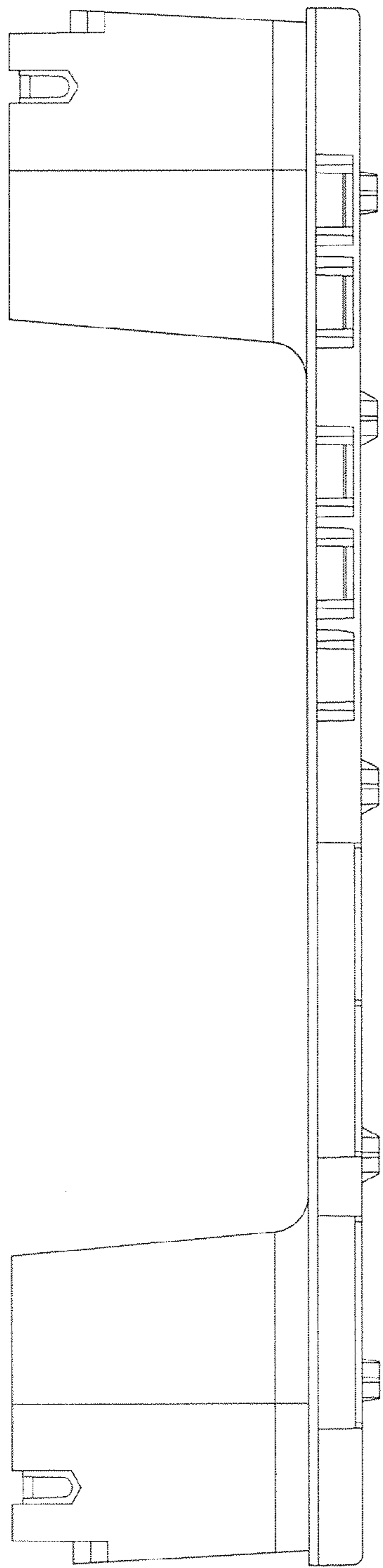


FIG. 6

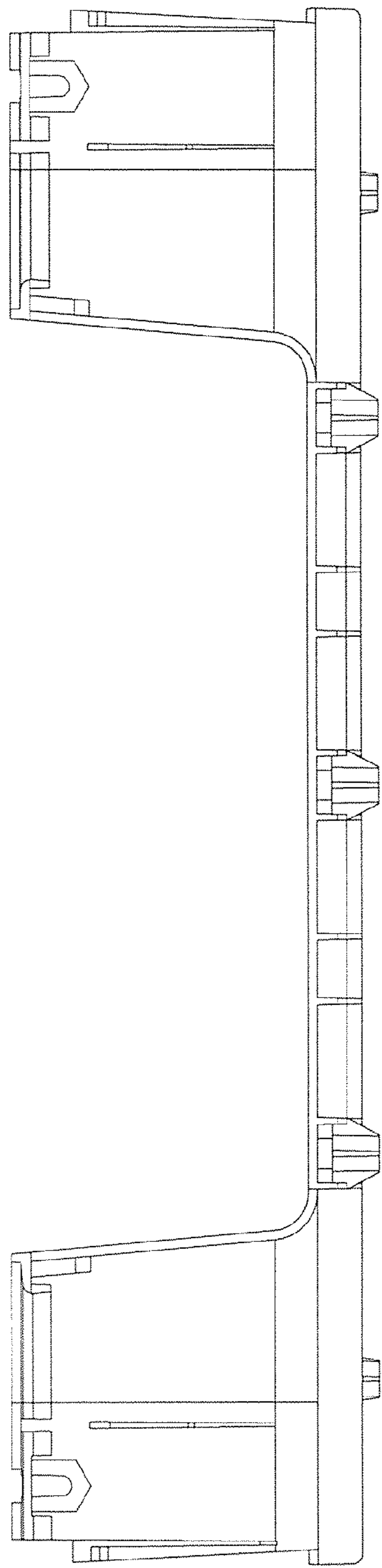


FIG. 7



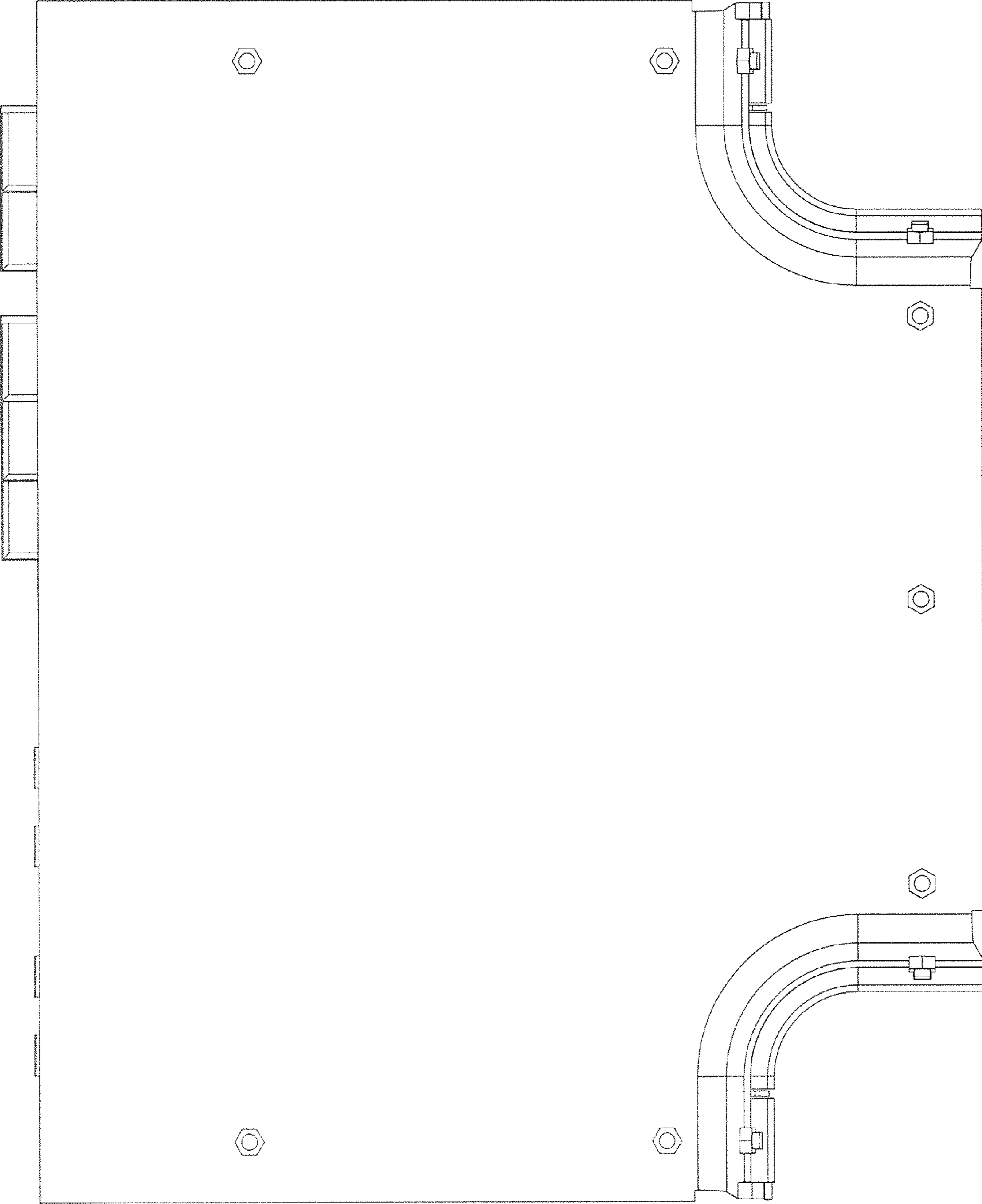


FIG. 9

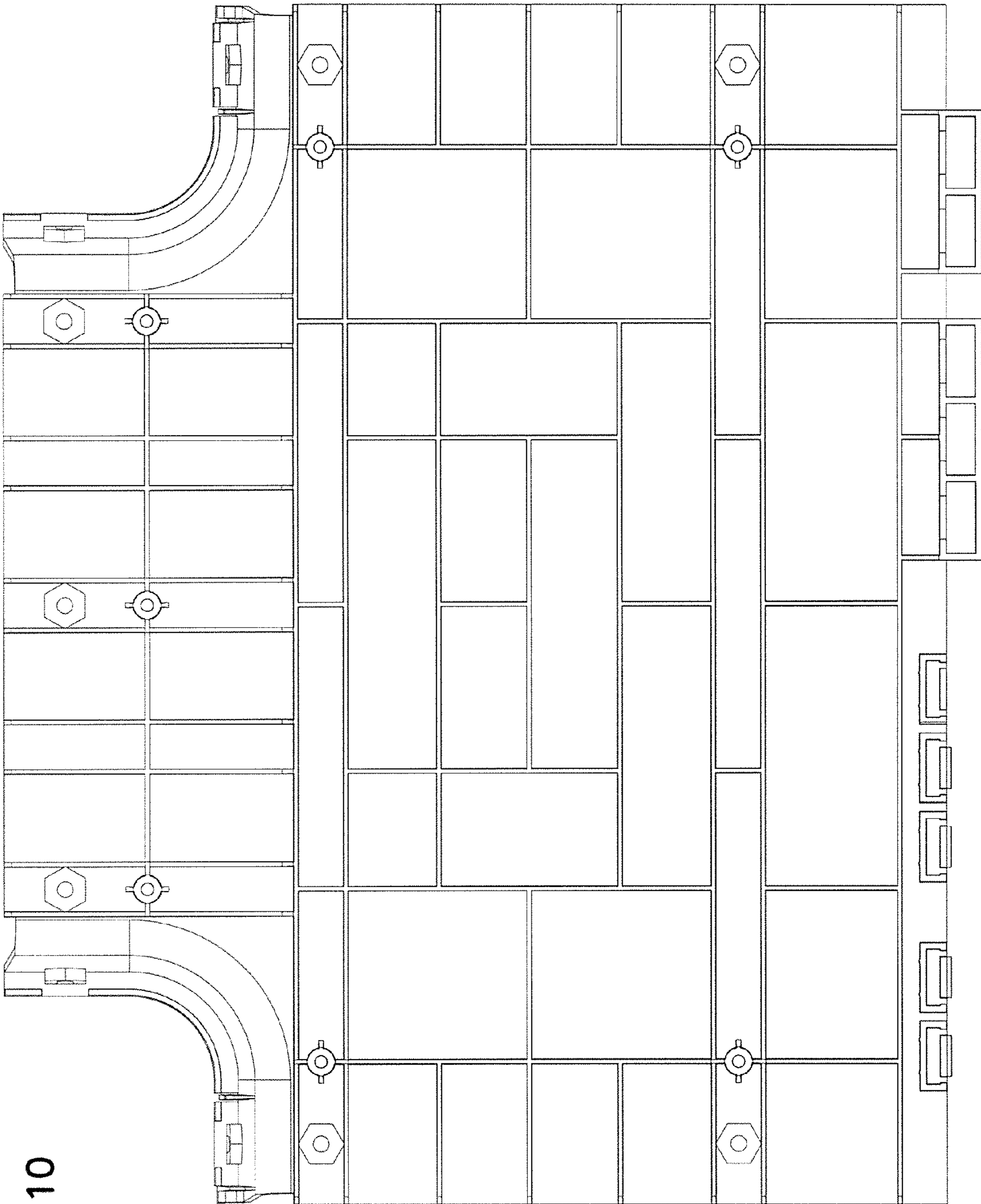


FIG.10