



US00D576106S

(12) **United States Design Patent**
Sayres et al.

(10) **Patent No.:** **US D576,106 S**
(45) **Date of Patent:** **** Sep. 2, 2008**

(54) **FIBER TROUGH LATERAL COMPONENT**

(75) Inventors: **Derek Sayres**, Lonsdale, MN (US);
Thomas C. Tinucci, Chaska, MN (US)

(73) Assignee: **ADC Telecommunications, Inc.**, Eden
Prairie, MN (US)

(**) Term: **14 Years**

(21) Appl. No.: **29/276,478**

(22) Filed: **Jan. 26, 2007**

(51) **LOC (8) Cl.** **13-03**

(52) **U.S. Cl.** **D13/155**

(58) **Field of Classification Search** D8/356;
D13/154-157, 184; D25/119, 121, 122,
D25/124; 138/106-107, 112-113, 116-117,
138/155-158, 162-163, 166-169, 174; 14/169.5;
174/101, 38, 68.1, 68.3, 72 A, 72 C, 75 R,
174/84 R, 91, 92, 95, 97, 135; 385/134,
385/136; 248/68.1; 403/293, 294; 104/275
See application file for complete search history.

(56) **References Cited**

U.S. PATENT DOCUMENTS

799,320 A	9/1905	Franks	
800,054 A *	9/1905	Ayres	138/163
1,085,429 A *	1/1914	Kahn et al.	52/731.7
1,189,208 A *	6/1916	Hodkinson	138/157
1,817,034 A *	8/1931	Hotchkin	174/72 C
2,231,982 A *	2/1941	Zalkind	220/592.2
3,351,699 A	11/1967	Merckle	
3,485,932 A *	12/1969	Van Schaack	174/38
3,761,603 A	9/1973	Hays	
D231,326 S *	4/1974	Miki	D8/377
3,927,698 A	12/1975	Johannsen	
3,991,264 A *	11/1976	Connell	174/38
4,058,670 A *	11/1977	Leschinger	174/38
4,077,434 A	3/1978	Sieckert	
4,129,743 A *	12/1978	Lohsl	174/38
4,720,953 A *	1/1988	Onishi et al.	174/497
4,907,767 A	3/1990	Corsi	
4,951,716 A	8/1990	Tsunoda	

D321,682 S	11/1991	Henneberger	
D321,862 S	11/1991	Henneberger	
5,067,678 A	11/1991	Henneberger	
D322,596 S *	12/1991	Henneberger	D13/155
5,160,811 A	11/1992	Ritzmann	
5,161,580 A	11/1992	Klug	

(Continued)

FOREIGN PATENT DOCUMENTS

DE 1 130 492 5/1962

(Continued)

OTHER PUBLICATIONS

International Search Report mailed Jan. 29, 2007 (PCT/US2006/
038648).

(Continued)

Primary Examiner—Cathron Brooks
Assistant Examiner—Rosemary K Tarcza
(74) *Attorney, Agent, or Firm*—Merchant & Gould P.C.

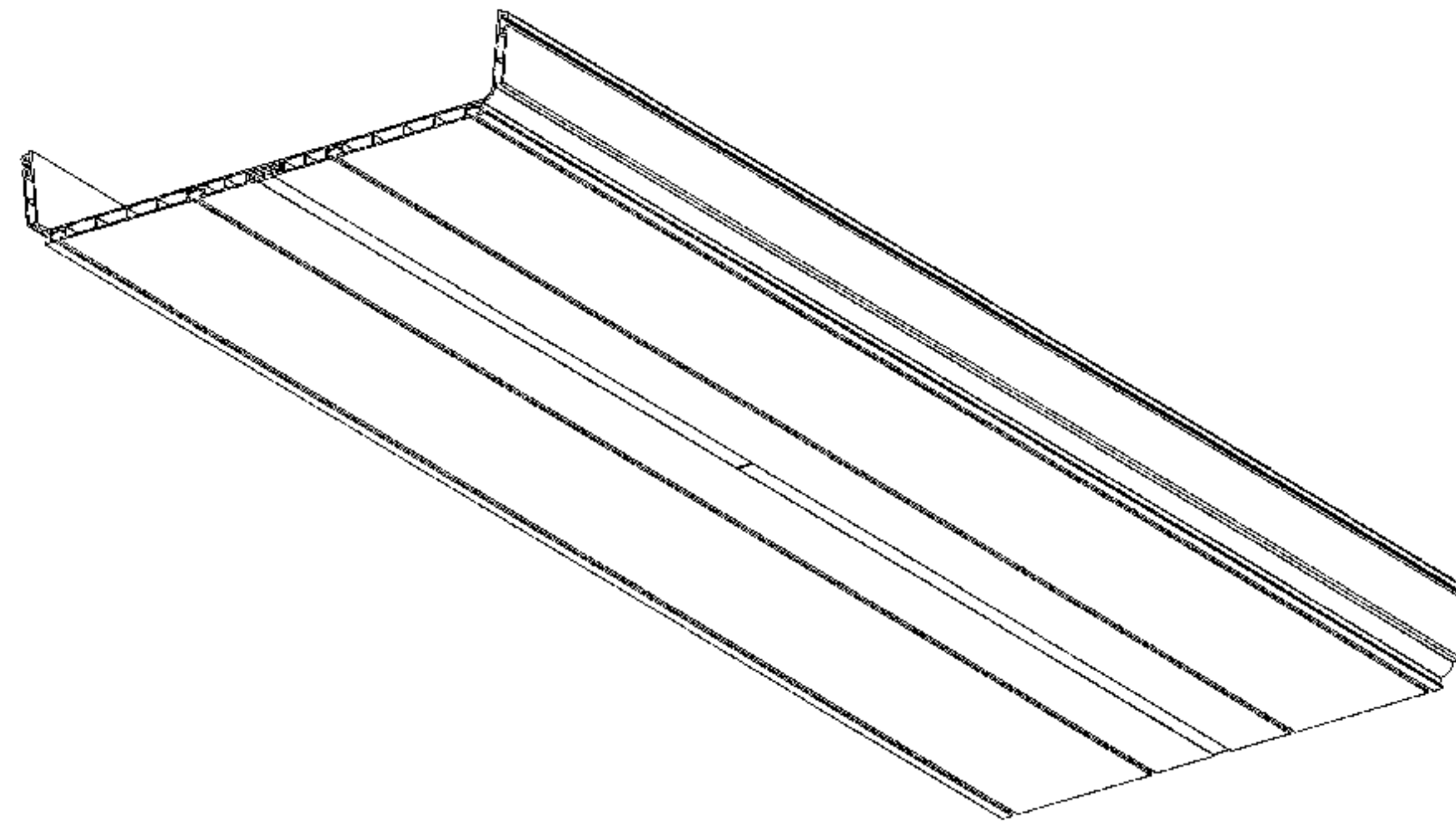
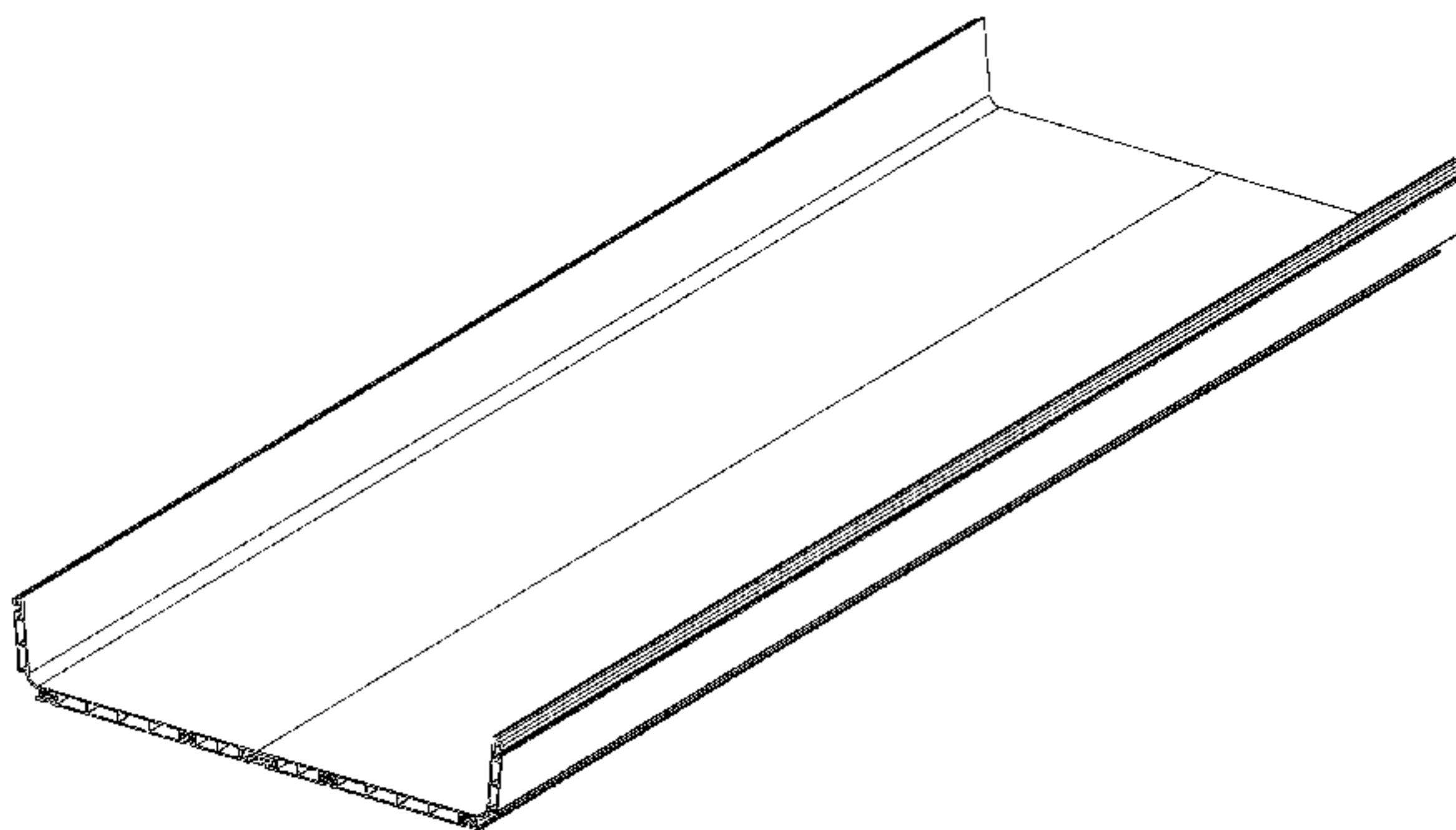
(57) **CLAIM**

The ornamental design for the fiber trough lateral component,
as shown and described.

DESCRIPTION

FIG. 1 is a first perspective view of the fiber trough lateral
component.
FIG. 2 is a second perspective view thereof.
FIG. 3 is an end view thereof.
FIG. 4 is a side view thereof.
FIG. 5 is a top view thereof.
FIG. 6 is a bottom view thereof; and,
FIG. 7 is an enlarged end view thereof.
The other end and side views are identical to those shown in
FIGS. 3 and 4, respectively.

1 Claim, 7 Drawing Sheets



U.S. PATENT DOCUMENTS

5,240,209	A	8/1993	Kutsch	
5,271,585	A	12/1993	Zetena, Jr.	
5,316,243	A	5/1994	Henneberger	
5,316,244	A	5/1994	Zetena, Jr.	
5,335,349	A	8/1994	Kutsch	
5,359,143	A *	10/1994	Simon	174/101
5,469,893	A	11/1995	Caveney	
5,503,354	A	4/1996	Lohf	
5,752,781	A	5/1998	Haataja	
5,753,855	A	5/1998	Nicoli	
D402,263	S *	12/1998	Scherer et al.	D13/155
5,899,025	A	5/1999	Casey	
5,923,753	A	7/1999	Haataja	
5,937,131	A	8/1999	Haataja	
5,962,809	A *	10/1999	Duvall et al.	174/37
5,995,699	A	11/1999	Vargas	
D420,149	S *	2/2000	Hersh et al.	D25/119
6,023,024	A *	2/2000	Stjerneby	174/95
6,037,538	A	3/2000	Brooks	
6,037,543	A	3/2000	Nicoli	
6,076,779	A	6/2000	Johnson	
6,107,575	A	8/2000	Miranda	
6,198,047	B1	3/2001	Barr	
6,239,357	B1 *	5/2001	Mabry et al.	174/5 R
6,437,244	B1 *	8/2002	Vander Velde	174/68.3
6,450,458	B1	9/2002	Bernard	
6,476,323	B2 *	11/2002	Beebe et al.	174/72 A
6,522,823	B1	2/2003	Wentworth	
6,535,683	B1	3/2003	Johnson	
6,559,378	B1	5/2003	Bernard	
6,625,373	B1	9/2003	Wentworth	
6,631,875	B1	10/2003	Kampf	
6,634,605	B2	10/2003	Bernard et al.	
6,708,918	B2	3/2004	Ferris et al.	
6,709,186	B2	3/2004	Ferris	
6,715,719	B2	4/2004	Nault	
6,727,434	B2	4/2004	Jadaud	
6,739,795	B1	5/2004	Haataja	
7,034,227	B2	4/2006	Fox	
7,045,707	B1	5/2006	Galasso	
2002/0096606	A1	7/2002	Bernard	
2003/0047343	A1 *	3/2003	Ferris	174/68.3
2004/0124321	A1	7/2004	Kampf	

2007/0092196 A1 4/2007 Bayazit

FOREIGN PATENT DOCUMENTS

DE	37 42 448	A1	6/1989
DE	296 10 947	U1	8/1996
EP	0 863 594	A2	9/1998
EP	0 933 850	A1	8/1999
FR	2 238 828		2/1975
FR	2 735 557	A1	12/1996
JP	5-172281	A	7/1993
SU	1272387	A1	11/1986

OTHER PUBLICATIONS

ADC Telecommunications brochure entitled "FiberGuide® Fiber Management Systems," 33 pages, dated Oct. 1995.
 Warren & Brown & Staff brochure pages entitled "lightpaths," Issue 2, 11 pages, dated 1995.
 ADC Telecommunications brochure entitled "Fiber Guide™ Fiber Management System," 6 pages, dated Jun. 1989.
 ADC Telecommunications brochure entitled "ADC FiberGuide® System Express Exit™ 2x2," 2 pages, dated May 1999.
 ADC Telecommunications brochure entitled "FiberGuide® Fiber Management Systems," 37 pages, dated Jun. 1998.
 ADC Telecommunications brochure entitled FiberGuide® Fiber Management Systems, 56 pages, dated Sep. 2000.
 ADC Telecommunications brochure entitled FiberGuide® Fiber Management Systems, 90 pages, dated May 2005.
 U.S. Appl. No. 29/276,479 filed Jan. 26, 2007.
 U.S. Appl. No. 29/276,480 filed Jan. 26, 2007.
 U.S. Appl. No. 29/276,481 filed Jan. 26, 2007.
 U.S. Appl. No. 29/276,482 filed Jan. 26, 2007.
 U.S. Appl. No. 29/276,483 filed Jan. 26, 2007.
 U.S. Appl. No. 29/276,485 filed Jan. 26, 2007.
 U.S. Appl. No. 29/276,486 filed Jan. 26, 2007.
 U.S. Appl. No. 29/276,487 filed Jan. 26, 2007.
 U.S. Appl. No. 29/276,488 filed Jan. 26, 2007.
 U.S. Appl. No. 29/276,490 filed Jan. 26, 2007.
 U.S. Appl. No. 29/276,489 filed Jan. 26, 2007.
 U.S. Appl. No. 29/276,507 filed Jan. 26, 2007.
 U.S. Appl. No. 11/698,799 filed Jan. 26, 2007.
 Various Components of ADC's 4x4 FiberGuide® System (admitted prior art as of the filing date of the present application).
 Various Components of ADC's 4x6 FiberGuide® System (admitted prior art as of the filing date of the present application).
 Various Components of ADC's 4x12 FiberGuide® System (admitted prior art as of the filing date of the present application).

* cited by examiner

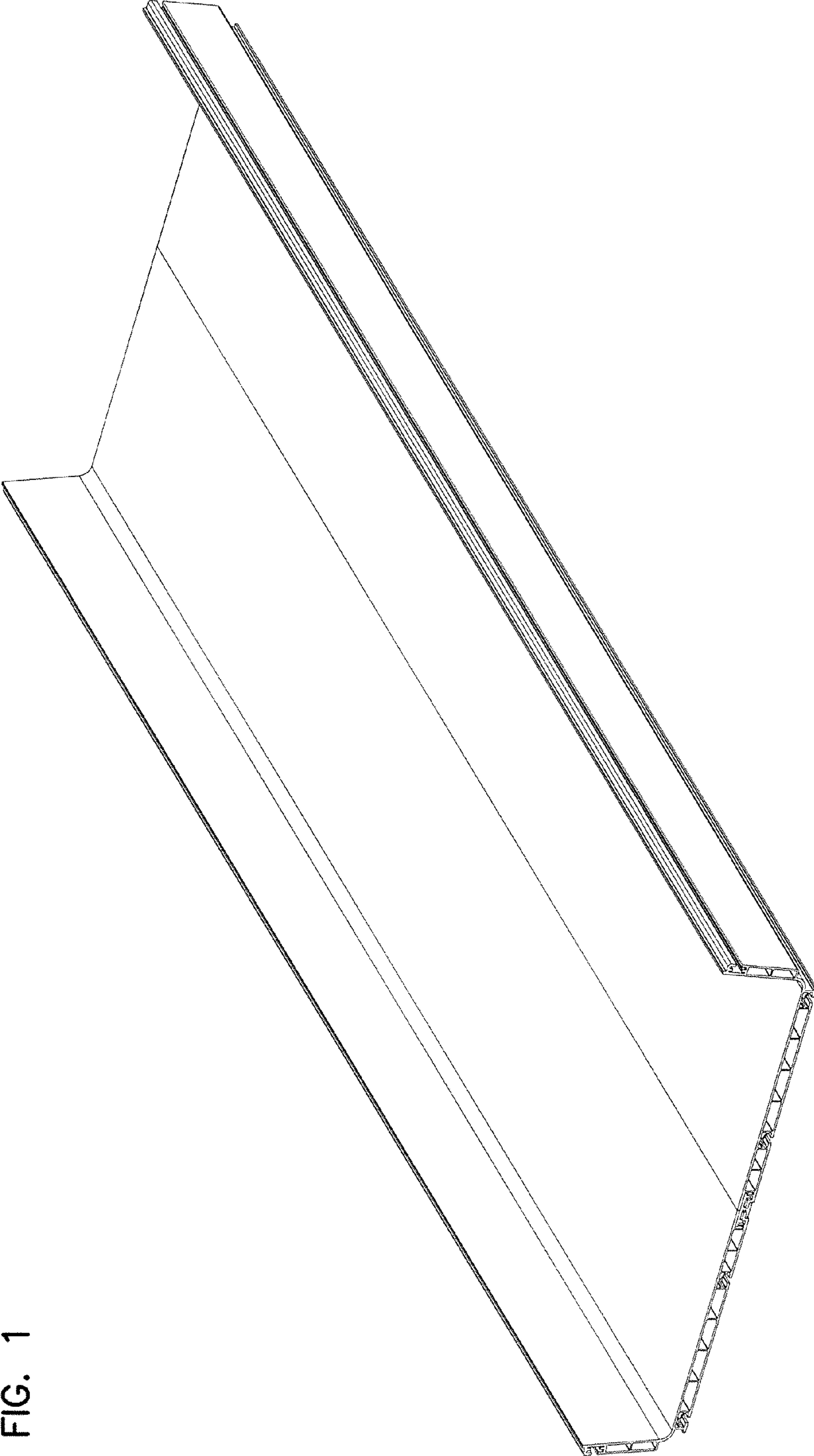


FIG. 1

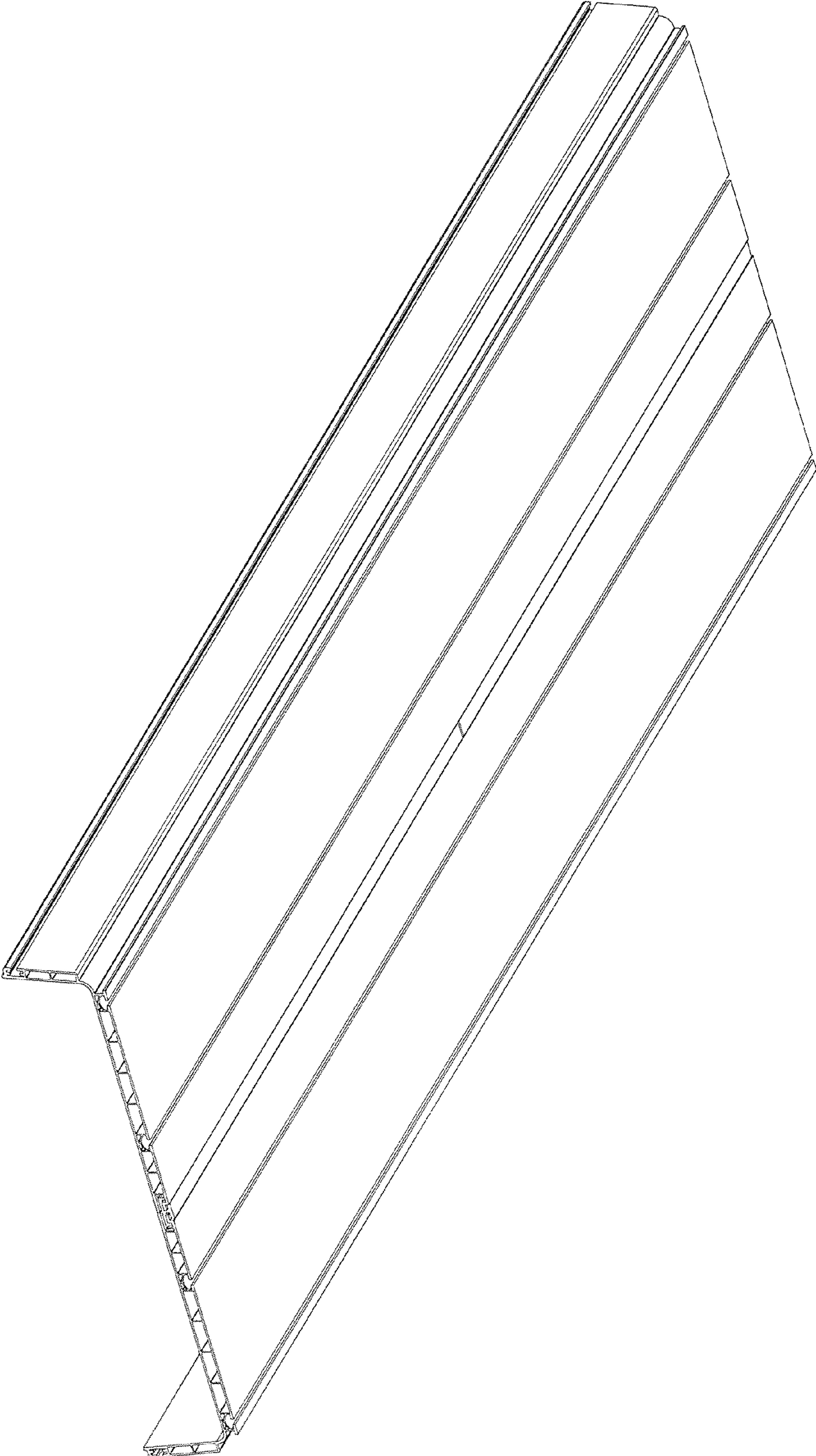


FIG. 2

FIG. 3

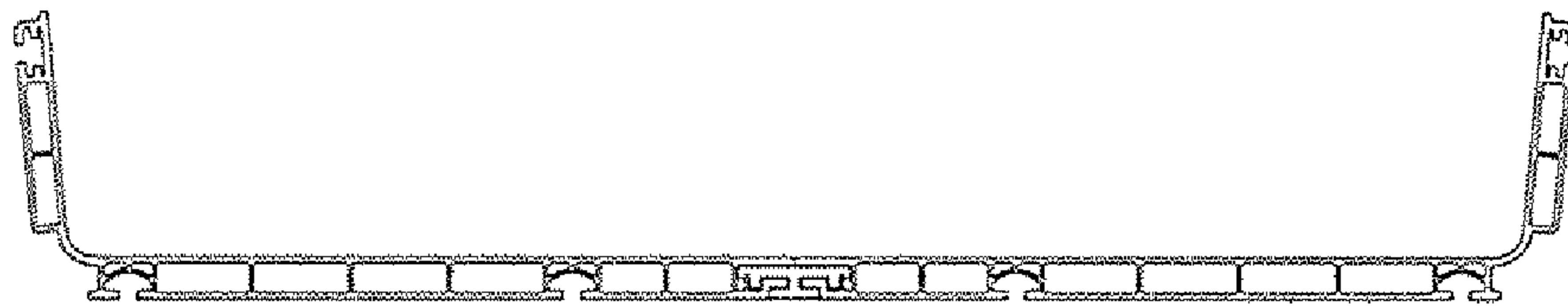


FIG. 4

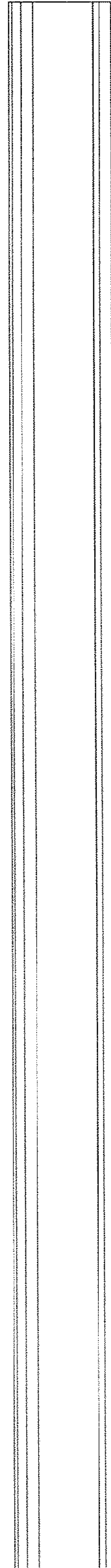


FIG. 5

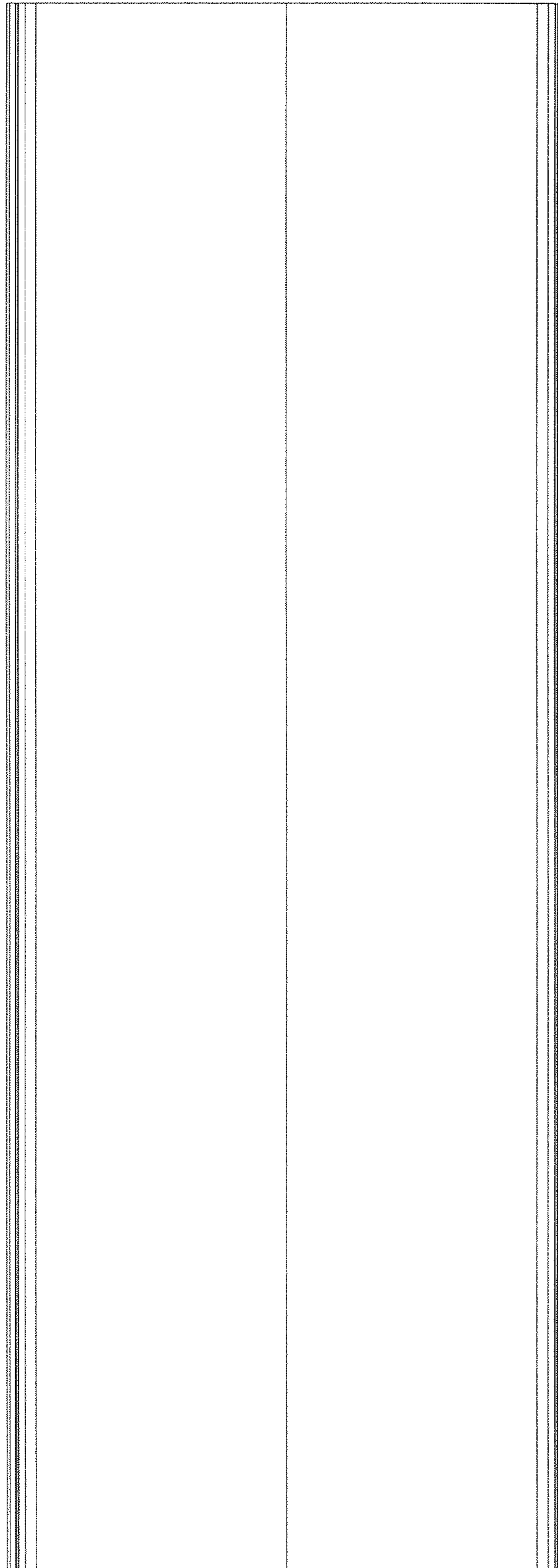


FIG. 6

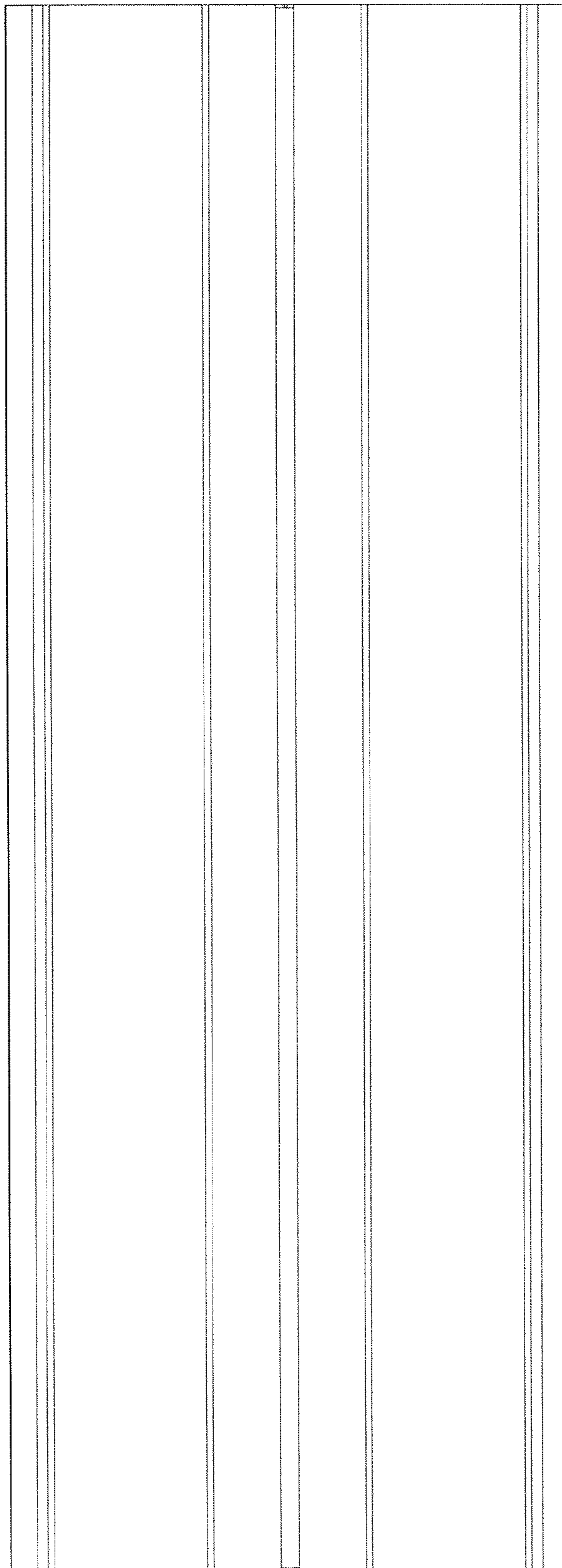


FIG. 7

