



US00D576104S

(12) **United States Design Patent**
Kasahara

(10) **Patent No.:** **US D576,104 S**
(45) **Date of Patent:** **** Sep. 2, 2008**

(54) **ELECTRIC CONNECTOR**

(75) Inventor: **Masayuki Kasahara**, Tokyo (JP)

(73) Assignee: **Honda Tsushin Kogyo Co., Ltd.**, Tokyo (JP)

(**) Term: **14 Years**

(21) Appl. No.: **29/290,131**

(22) Filed: **Oct. 24, 2007**

(30) **Foreign Application Priority Data**

May 10, 2007 (JP) 2007-012257

(51) **LOC (8) Cl.** **13-03**

(52) **U.S. Cl.** **D13/147**

(58) **Field of Classification Search** D13/133,
D13/146, 147, 154, 184, 199; 439/79, 108,
439/352, 354, 357, 358, 374, 567, 607, 608,
439/609, 610, 656, 676, 680

See application file for complete search history.

(56) **References Cited**

U.S. PATENT DOCUMENTS

D314,753 S * 2/1991 Endo et al. D13/147
D314,756 S * 2/1991 Endo et al. D13/147
D405,053 S * 2/1999 Tan et al. D13/147
D413,101 S * 8/1999 Avery et al. D13/147
D425,869 S * 5/2000 Yokomizo et al. D13/147

D478,869 S * 8/2003 Zhang D13/147
D481,360 S * 10/2003 Kuroki et al. D13/147
D517,990 S * 3/2006 de Jonge et al. D13/147
7,056,141 B2 * 6/2006 Moffett et al. 439/346
D529,444 S * 10/2006 Kudo D13/147

* cited by examiner

Primary Examiner—Daniel D Bui

(74) *Attorney, Agent, or Firm*—Wenderoth, Lind & Ponack, L.L.P.

(57) **CLAIM**

The original design for an electric connector, as shown and described.

DESCRIPTION

FIG. 1 is a top, front and right side perspective view of an electric connector showing my new design;

FIG. 2 is a top, rear and right side perspective view thereof;

FIG. 3 is a front elevational view thereof;

FIG. 4 is a rear elevational view thereof;

FIG. 5 is a right side elevational view thereof;

FIG. 6 is a top plan view thereof; and,

FIG. 7 is a bottom plan view thereof.

The broken line showing of elements in FIGS. 3 and 7 is for the purpose of illustrating environmental structure and forms no part of the claimed design.

1 Claim, 3 Drawing Sheets

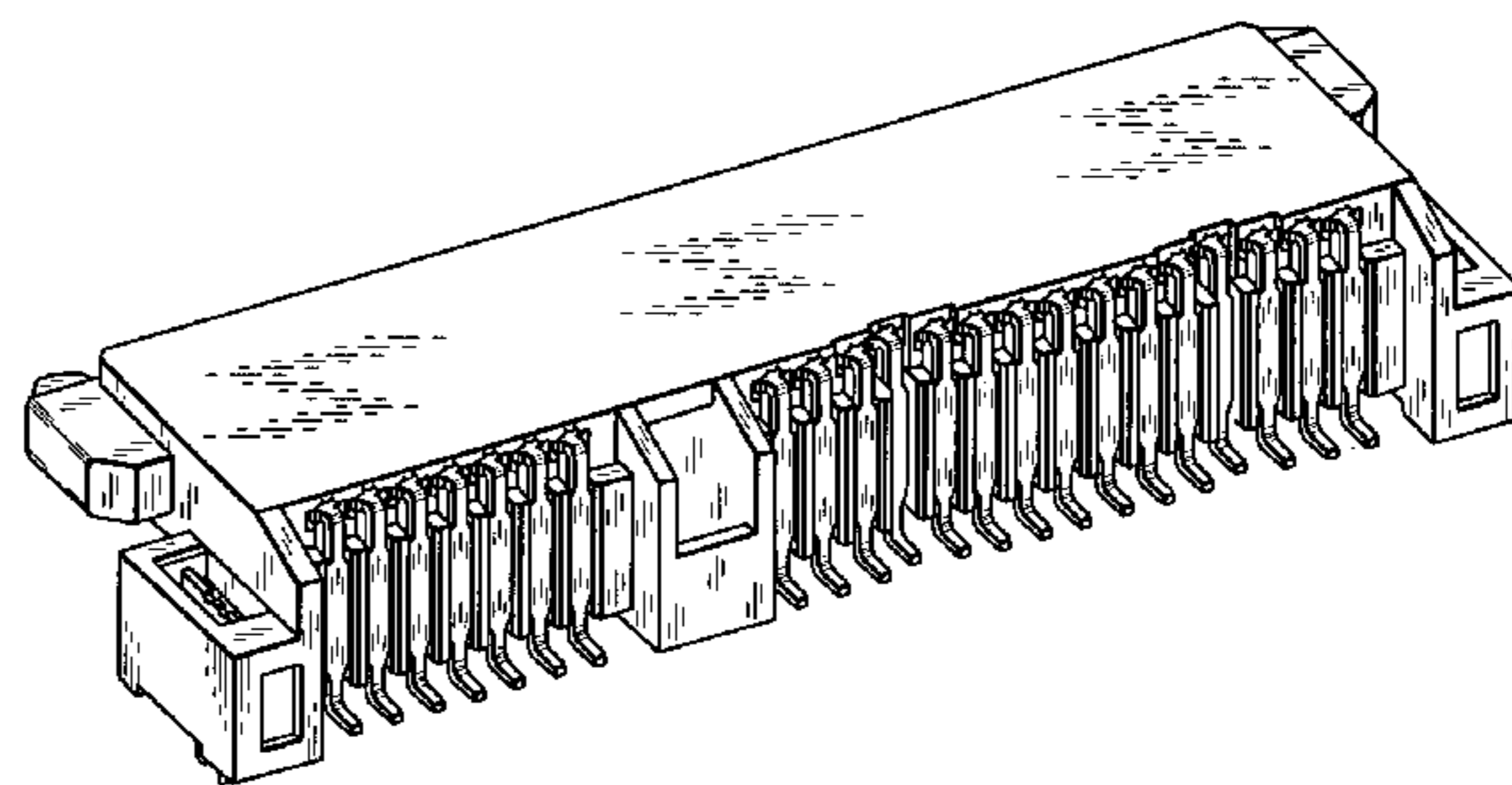
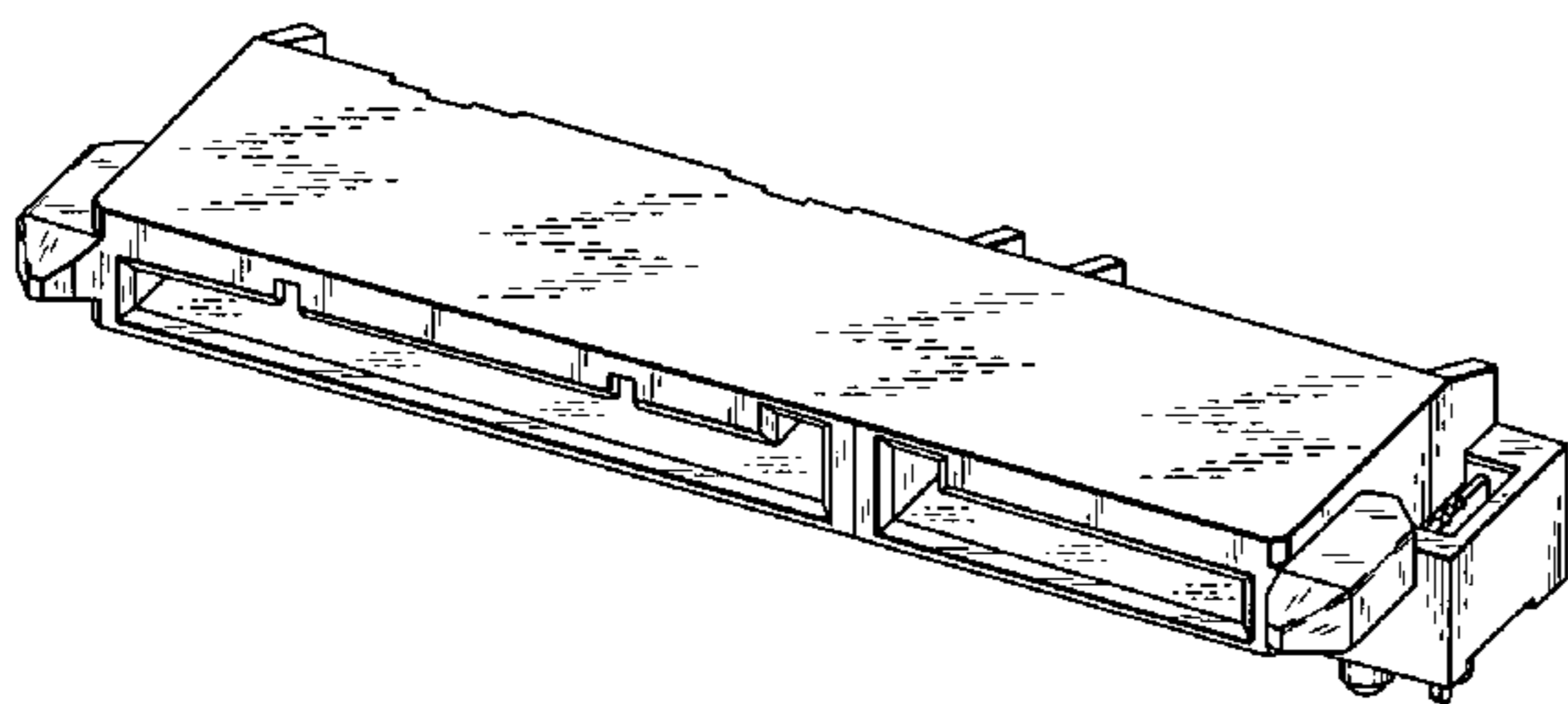


Fig. 1

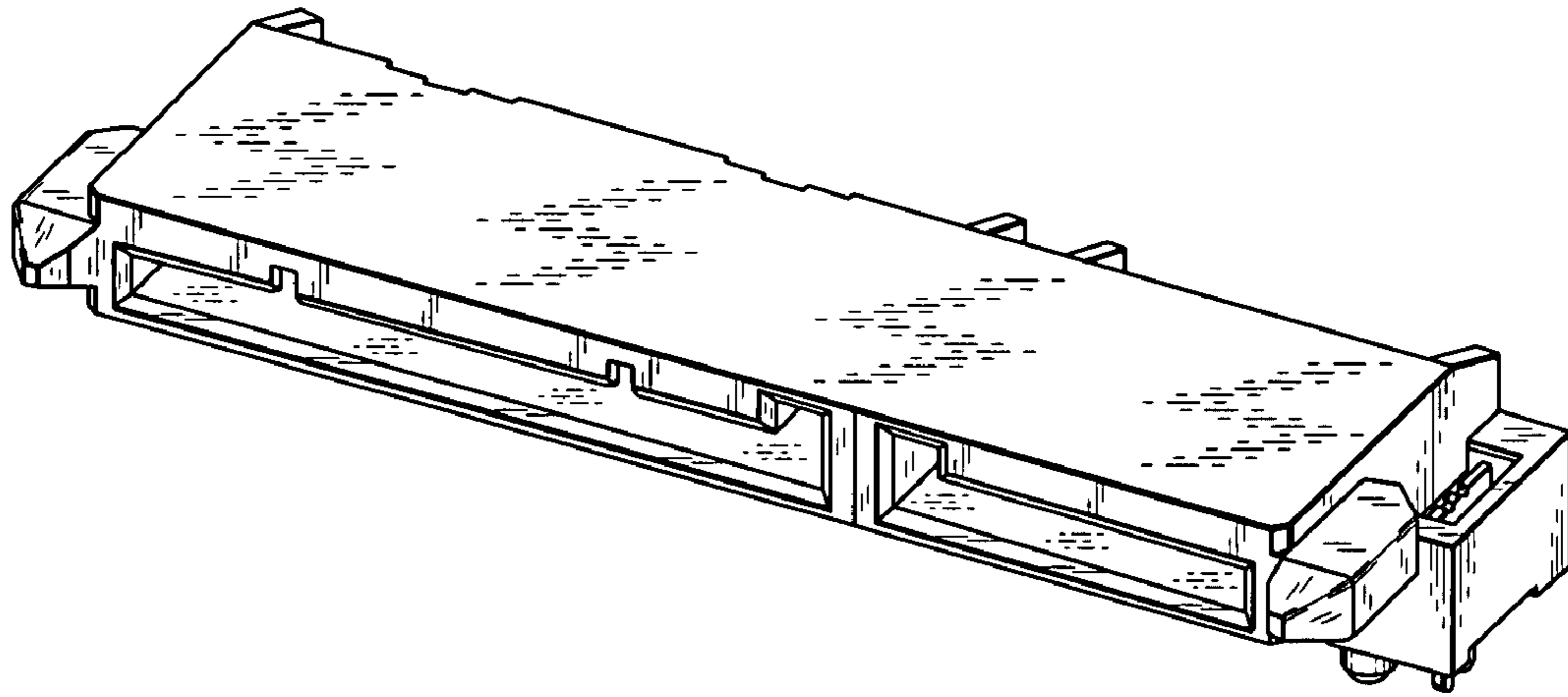


Fig. 2

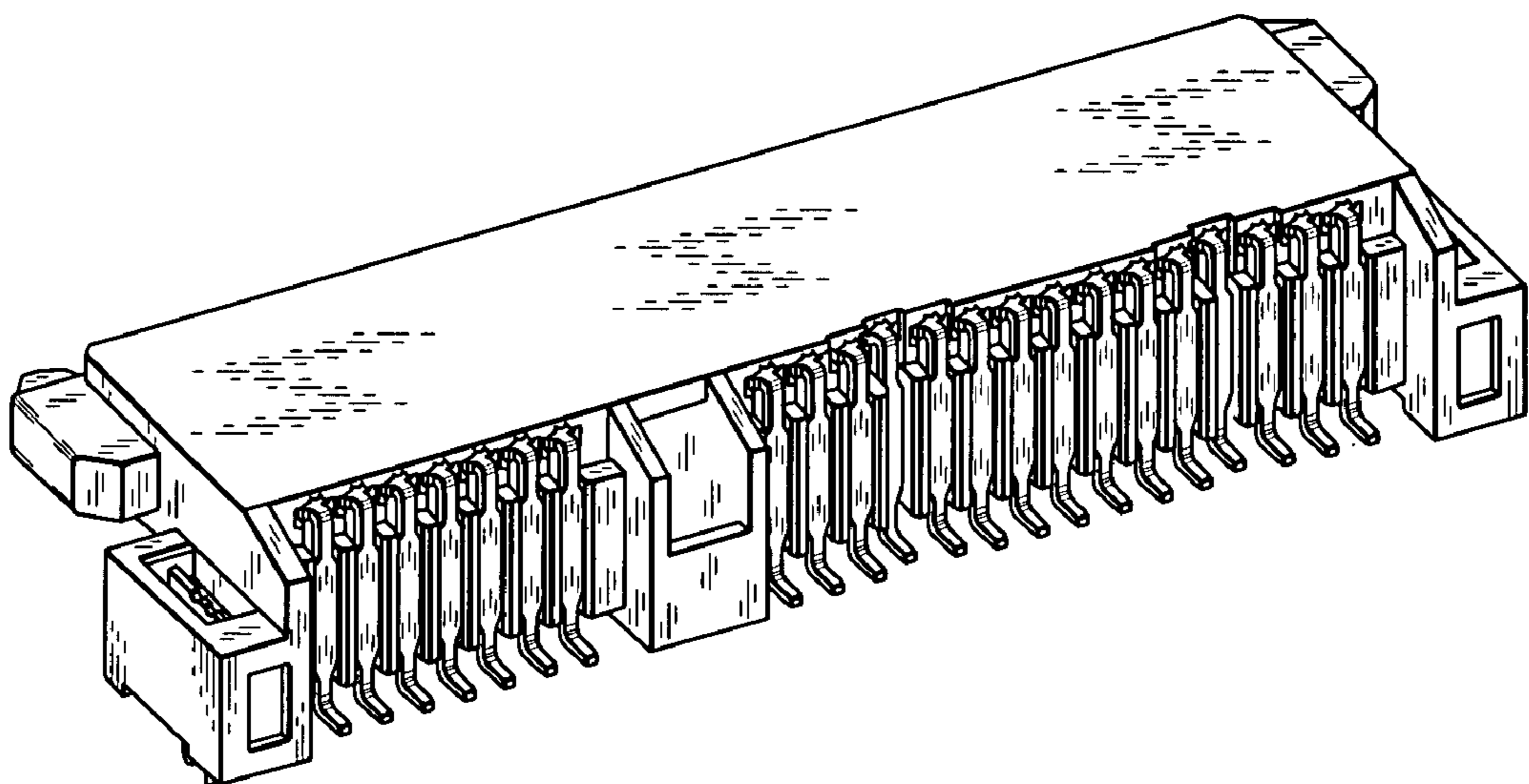


Fig. 3

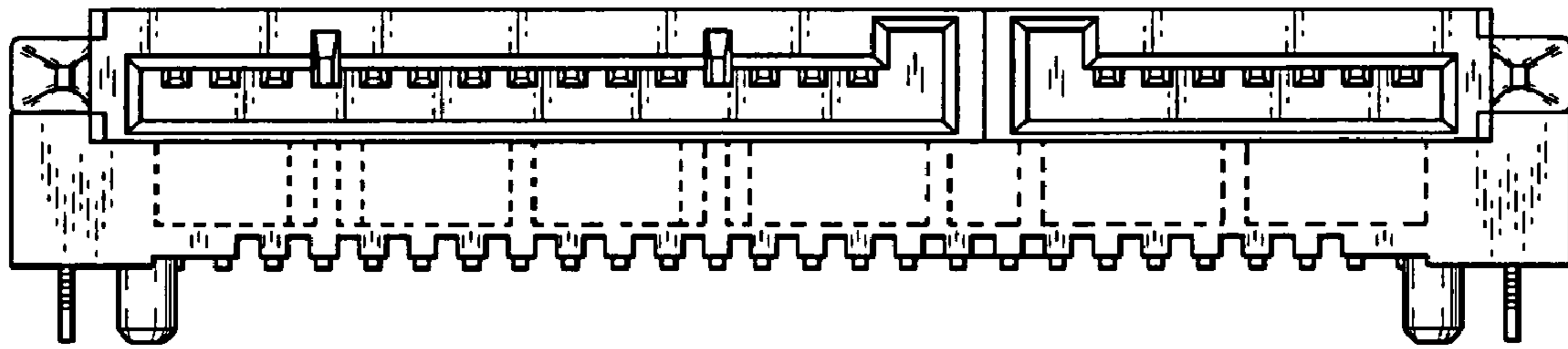


Fig. 4

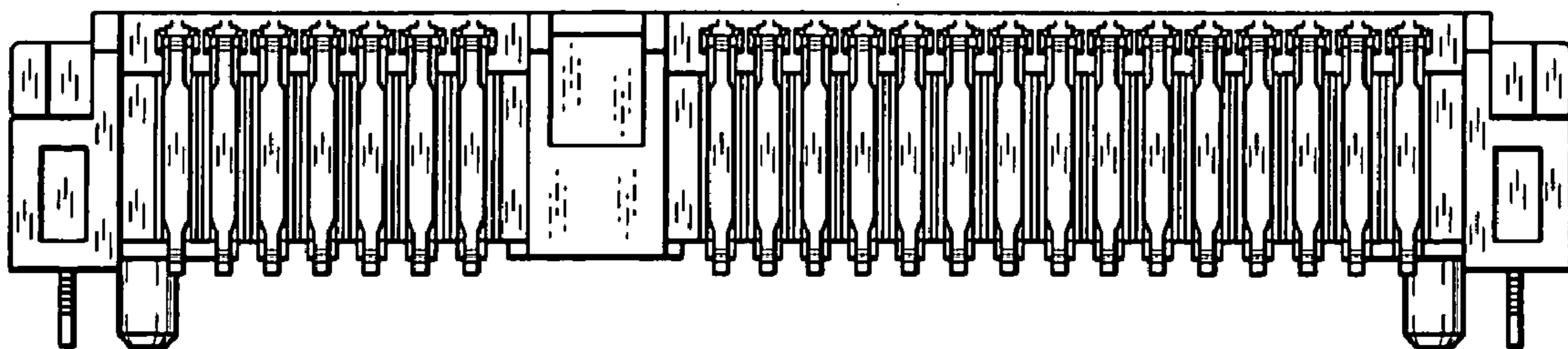


Fig. 5

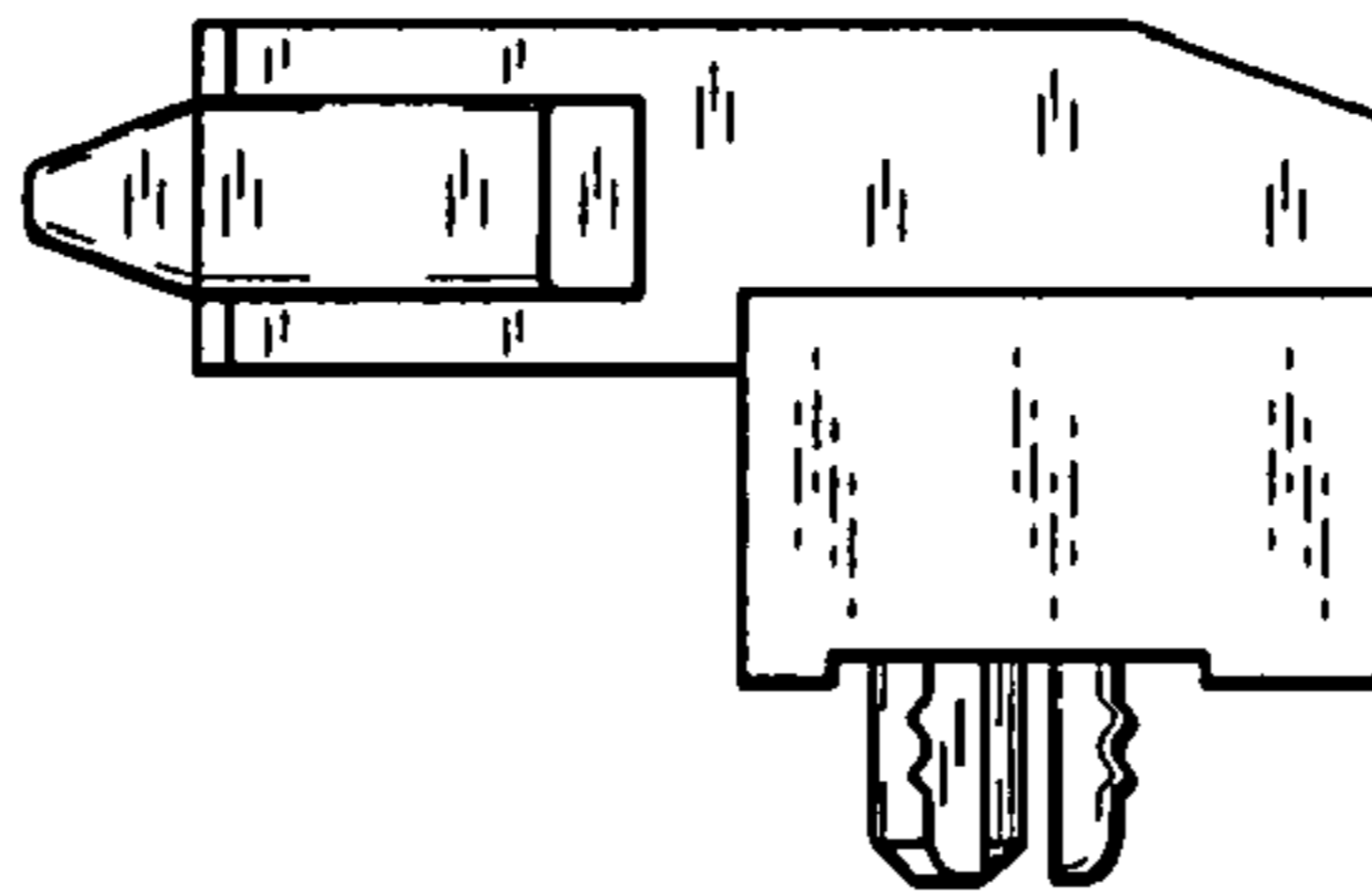


Fig. 6

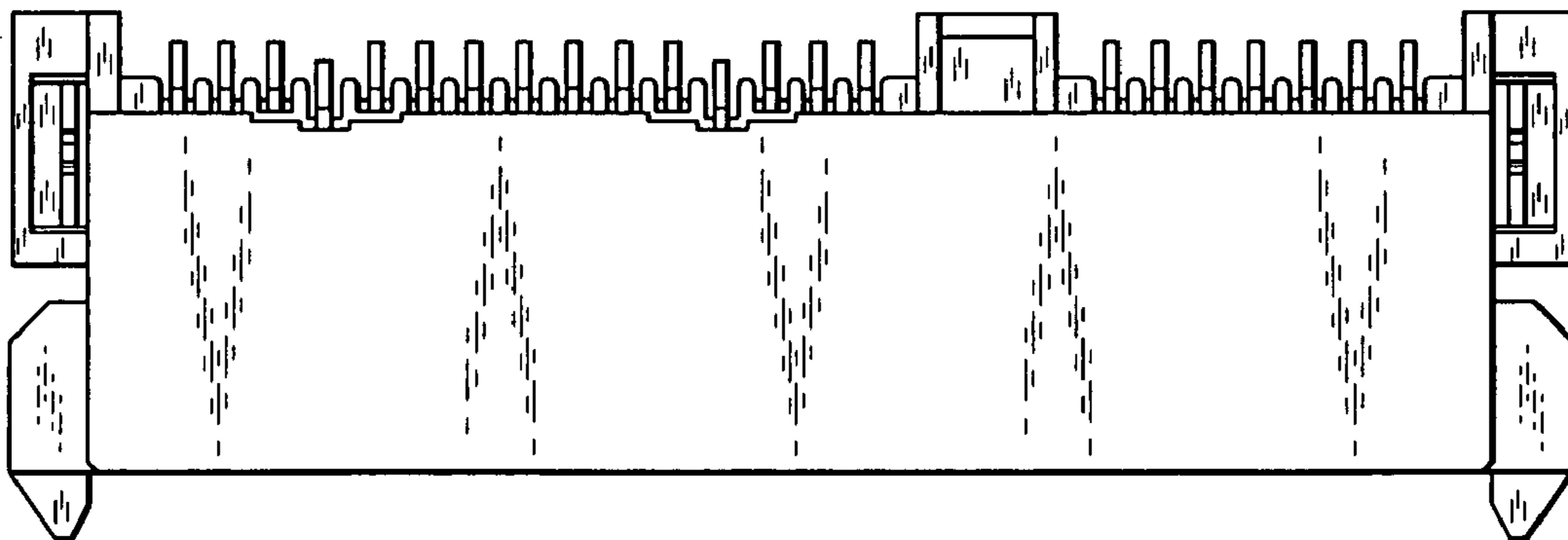


Fig. 7

