



US00D576101S

(12) **United States Design Patent**
Wu et al.

(10) **Patent No.:** **US D576,101 S**
(45) **Date of Patent:** **** Sep. 2, 2008**

(54) **AUDIO JACK**

(74) *Attorney, Agent, or Firm*—Rosenberg, Klein & Lee

(75) Inventors: **Yin-Lung Wu**, Taipei Hsien (TW);
Ming Chiang Chen, Taipei Hsien (TW);
Min Song, Taipei Hsien (TW)

(57) **CLAIM**

The ornamental design for an audio jack, as shown and described.

(73) Assignee: **Cheng Uei Precision Industry Co., Ltd.**, Taipei Hsien (TW)

DESCRIPTION

(**) Term: **14 Years**

FIG. 1 is a perspective view of an audio jack showing our new design;

(21) Appl. No.: **29/283,960**

FIG. 2 is a front elevational view thereof;

(22) Filed: **Aug. 28, 2007**

FIG. 3 is a rear elevational view thereof;

(51) **LOC (8) Cl.** **13-03**

FIG. 4 is a left side elevational view thereof;

(52) **U.S. Cl.** **D13/133; D13/154**

FIG. 5 is a right side elevational view thereof;

(58) **Field of Classification Search** **D13/133,**
D13/146, 147, 154, 184; 439/607–610, 660,
439/668, 892, 894

FIG. 6 is a top plan view thereof; and,

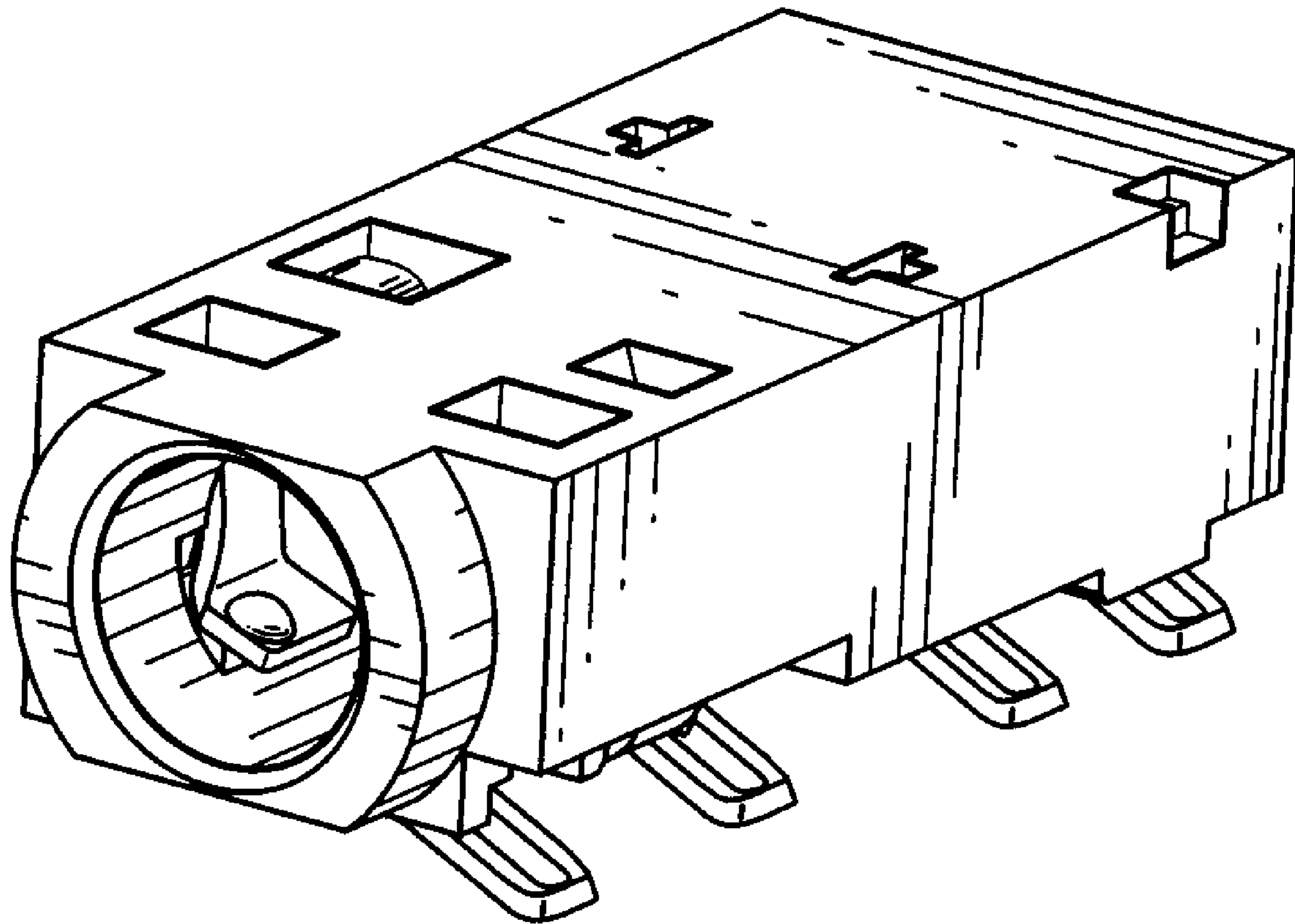
FIG. 7 is a bottom plan view thereof.

See application file for complete search history.

The broken lines in the Figures are for illustrative purposes and form no part of the claimed designs.

Primary Examiner—Daniel D Bui

1 Claim, 7 Drawing Sheets



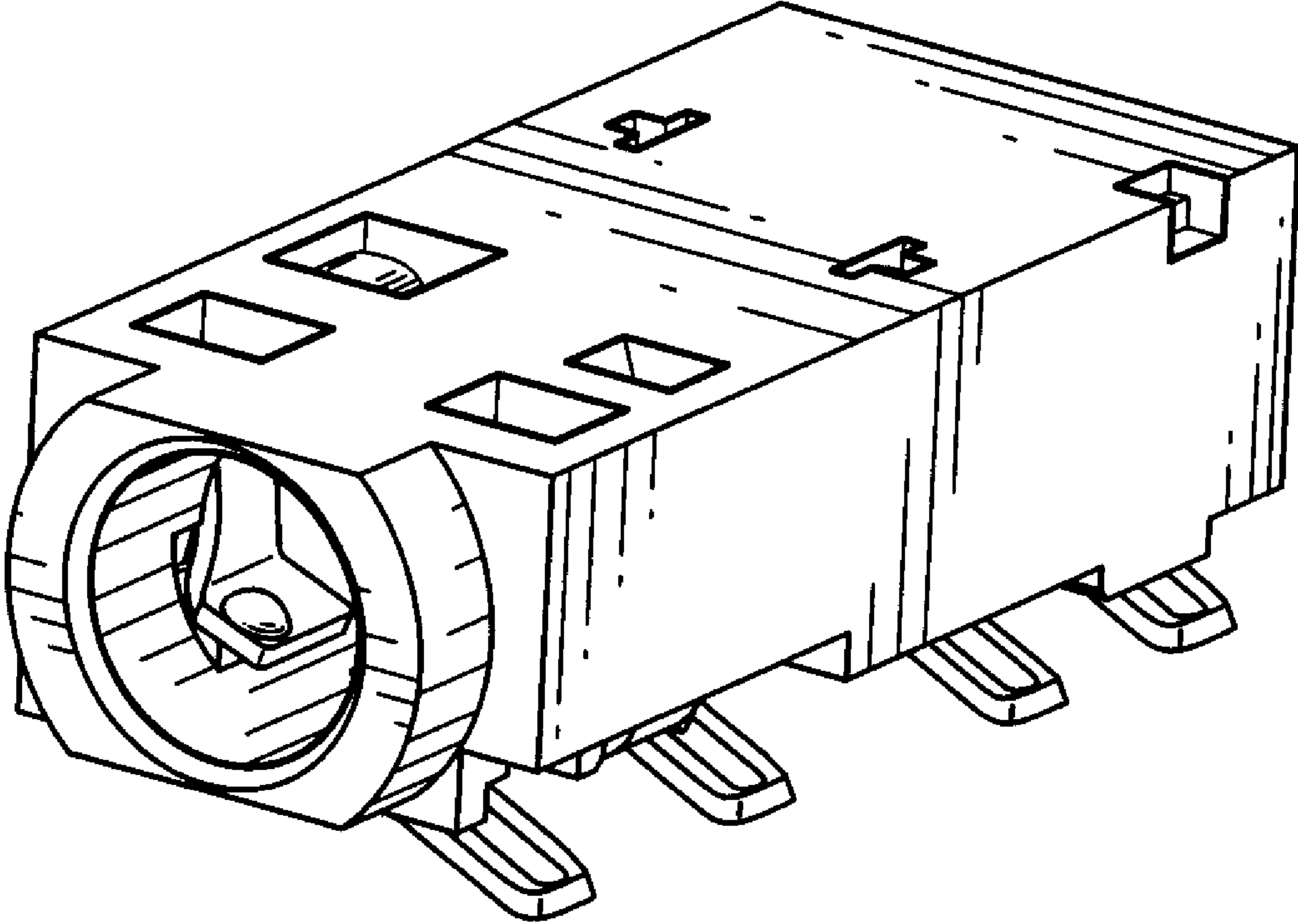


FIG. 1

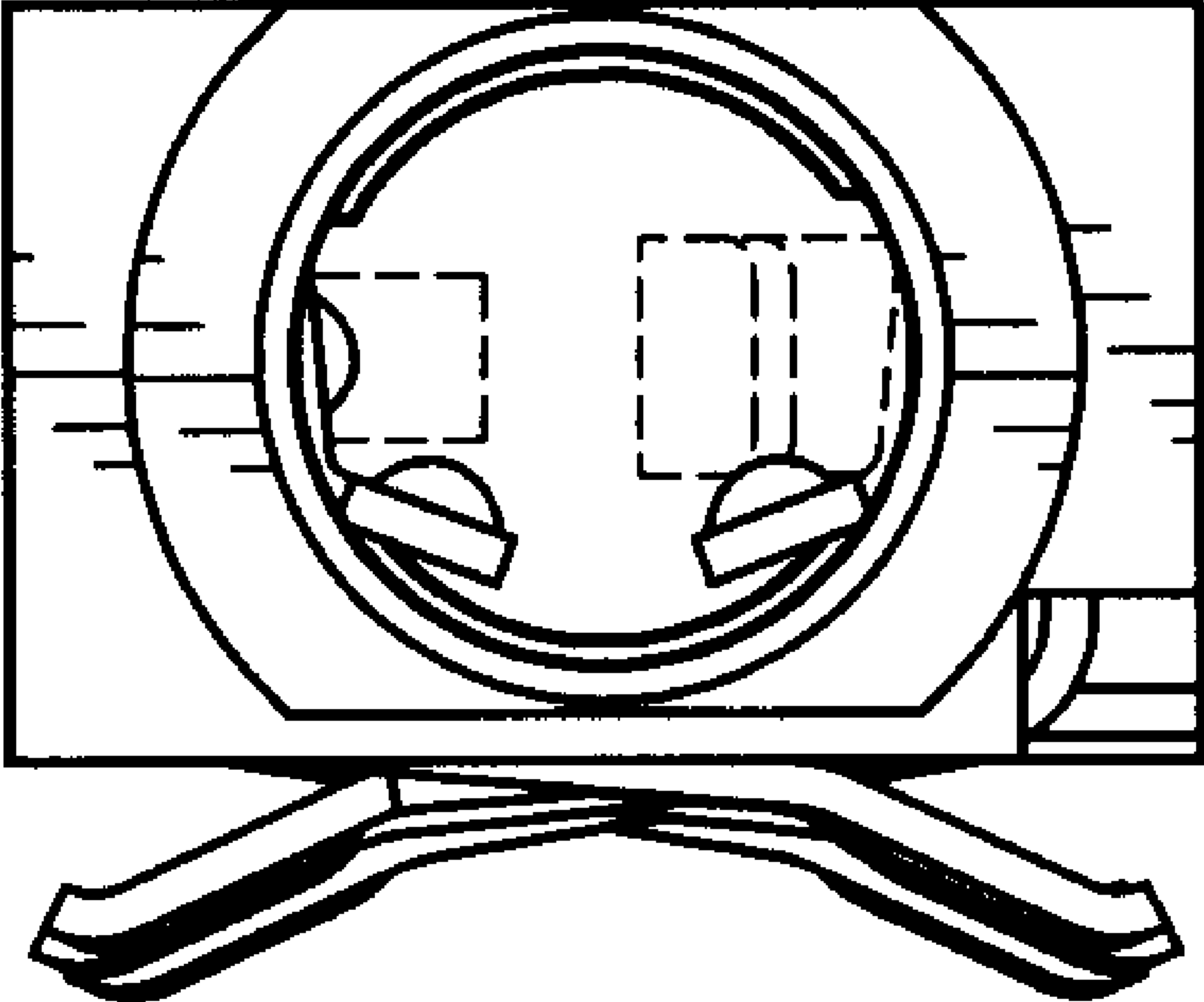


FIG. 2

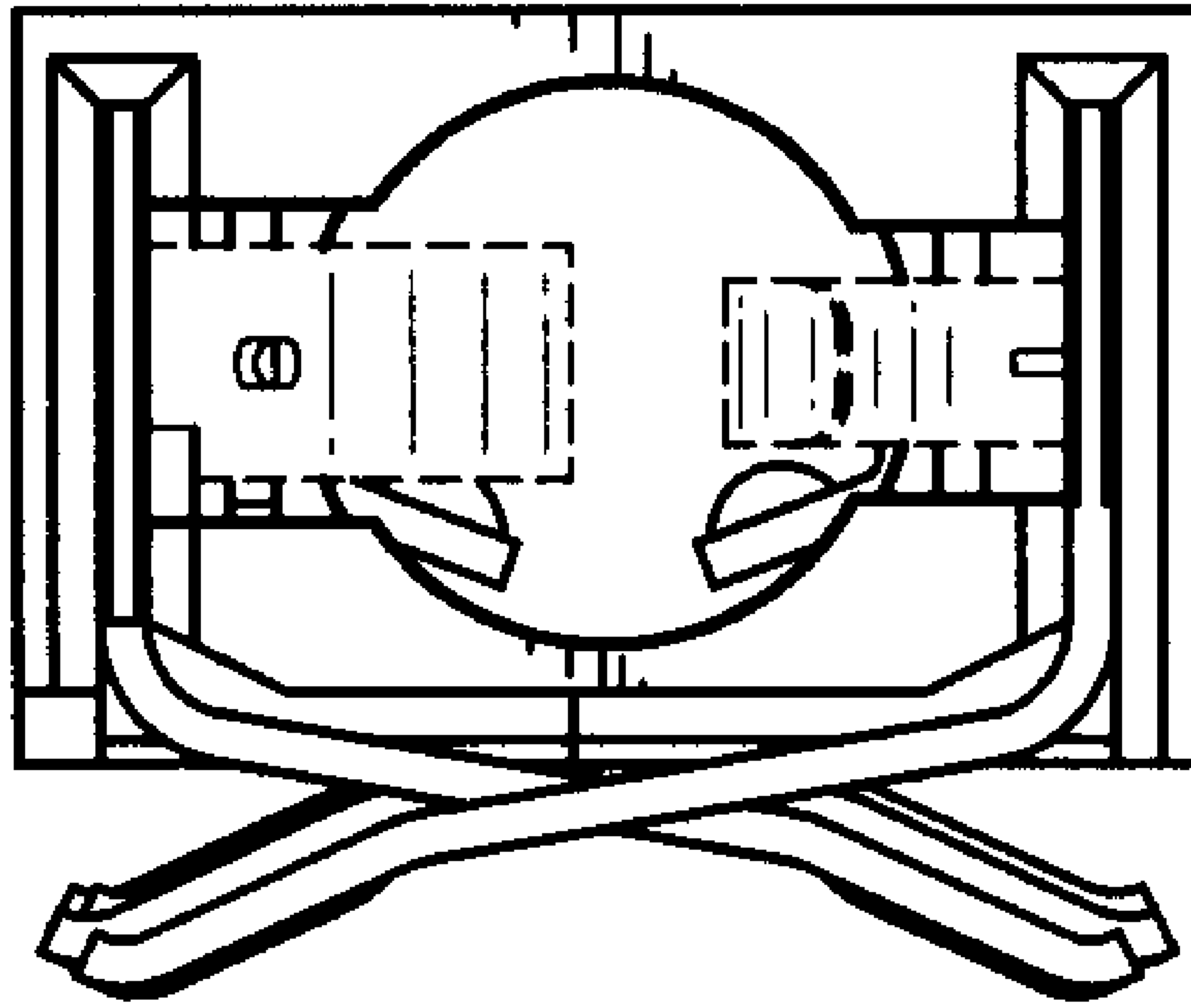


FIG. 3

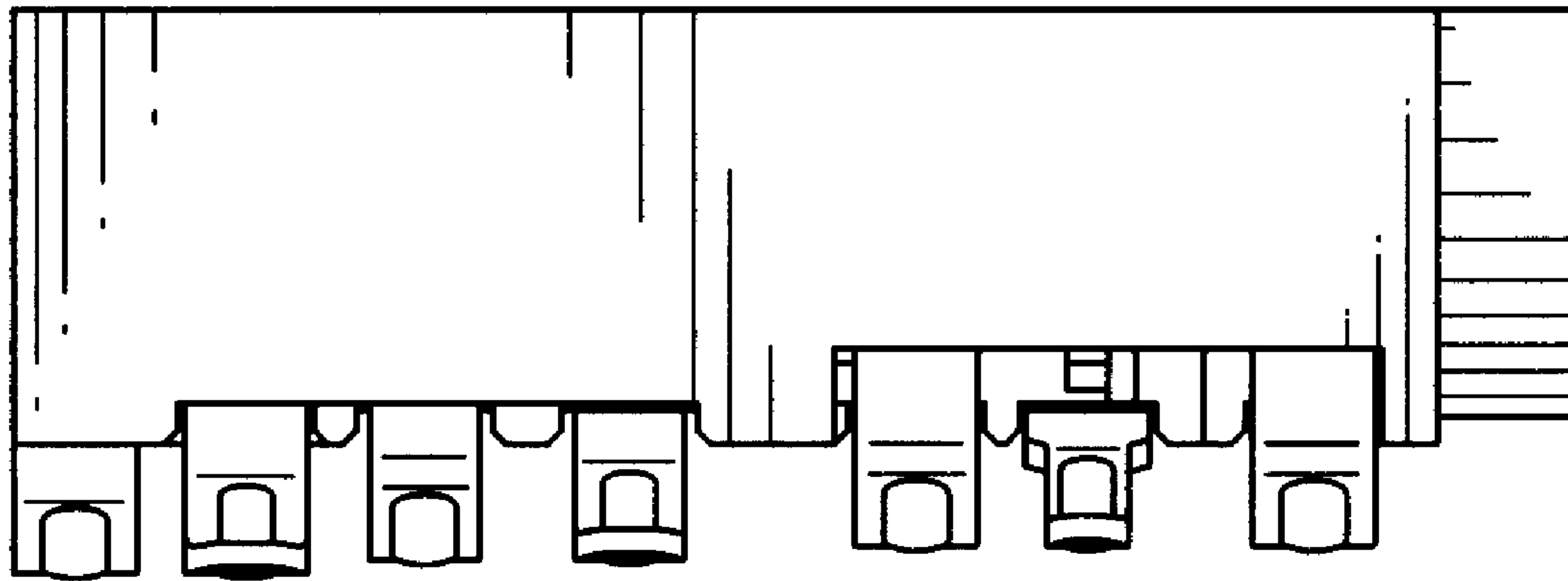


FIG. 4

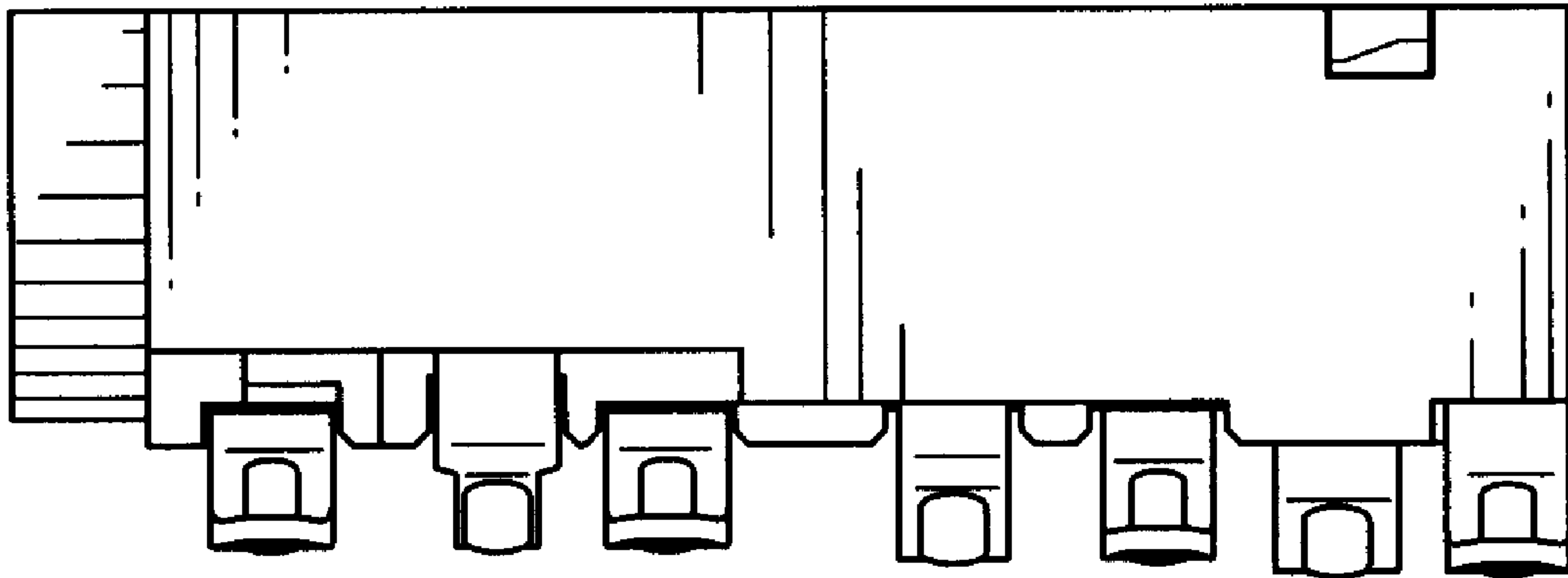


FIG. 5

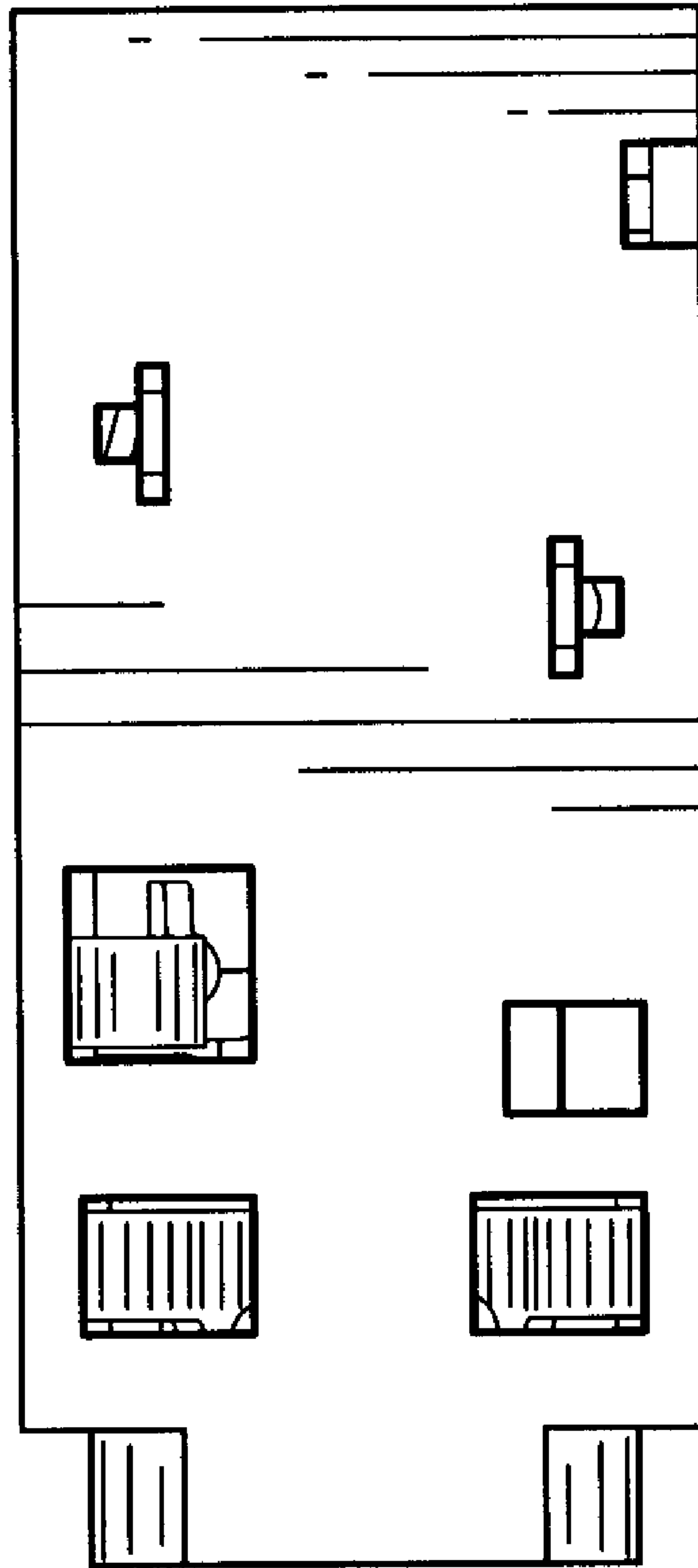


FIG. 6

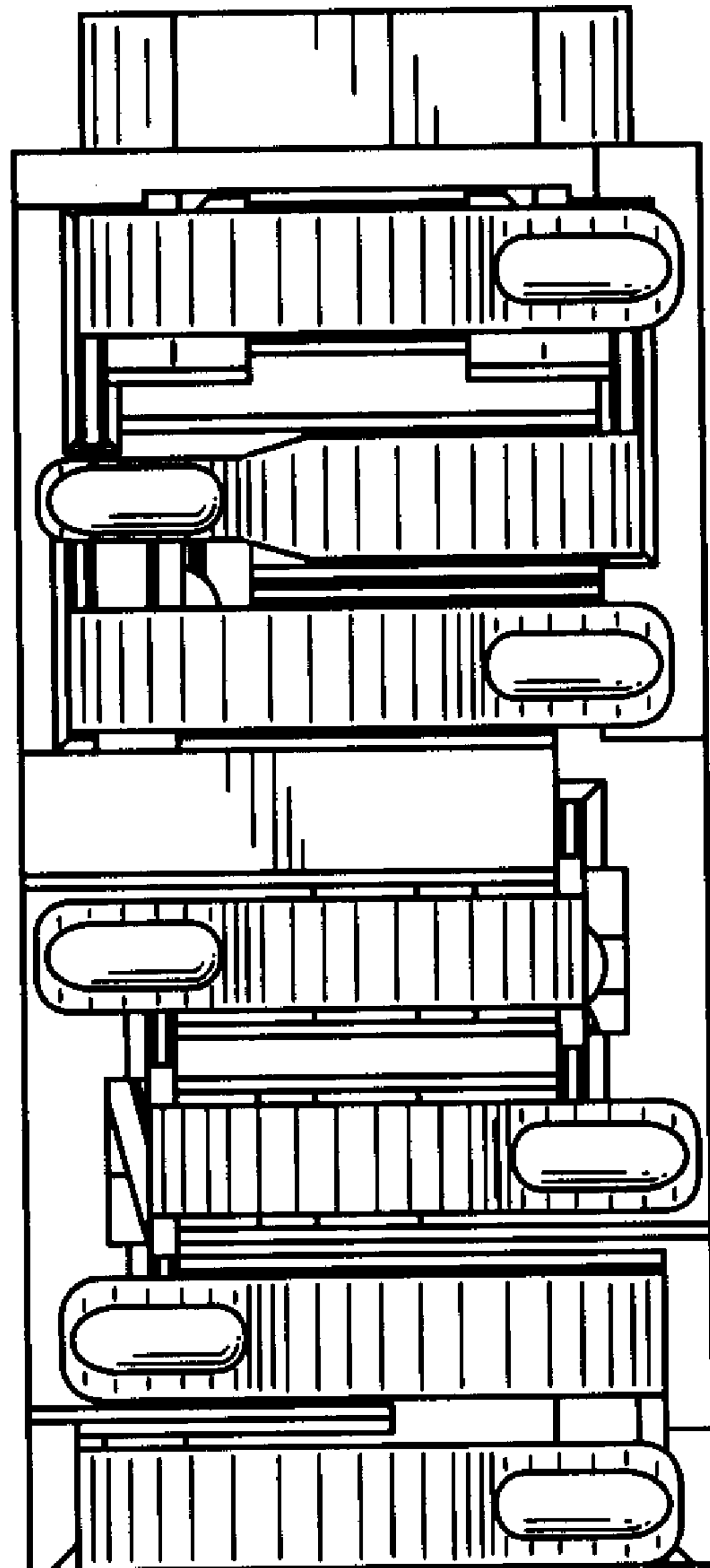


FIG. 7