



US00D576091S

(12) **United States Design Patent**
Liang

(10) **Patent No.:** **US D576,091 S**

(45) **Date of Patent:** **** Sep. 2, 2008**

(54) **MIRROR STAND FOR VEHICLE USE**

D534,109 S * 12/2006 Camm D12/187

(76) Inventor: **Joseph Liang**, No. 101, Anping St.,
Changhua (TW)

* cited by examiner

(**) Term: **14 Years**

Primary Examiner—Robert M. Spear
Assistant Examiner—Katrina A Kile
(74) *Attorney, Agent, or Firm*—Caesar, Rivise, Bernstein,
Cohen & Pokotilow, Ltd.

(21) Appl. No.: **29/279,901**

(22) Filed: **May 10, 2007**

(57) **CLAIM**

(51) **LOC (8) Cl.** **12-16**

The ornamental design for mirror stand for vehicle use, as shown and described.

(52) **U.S. Cl.** **D12/187**

(58) **Field of Classification Search** D12/187-199,
D12/96; D6/300, 309; 359/838, 841, 843,
359/844, 868, 871, 872, 877, 604, 881, 514,
359/866; 248/475.1, 479-483

DESCRIPTION

See application file for complete search history.

FIG. 1 is a perspective view of mirror stand for vehicle use showing my new design;

FIG. 2 is a front elevational view thereof;

FIG. 3 is a rear elevational view thereof;

FIG. 4 is a left side elevational view thereof;

FIG. 5 is a right side elevational view thereof;

FIG. 6 is a top plan view thereof; and,

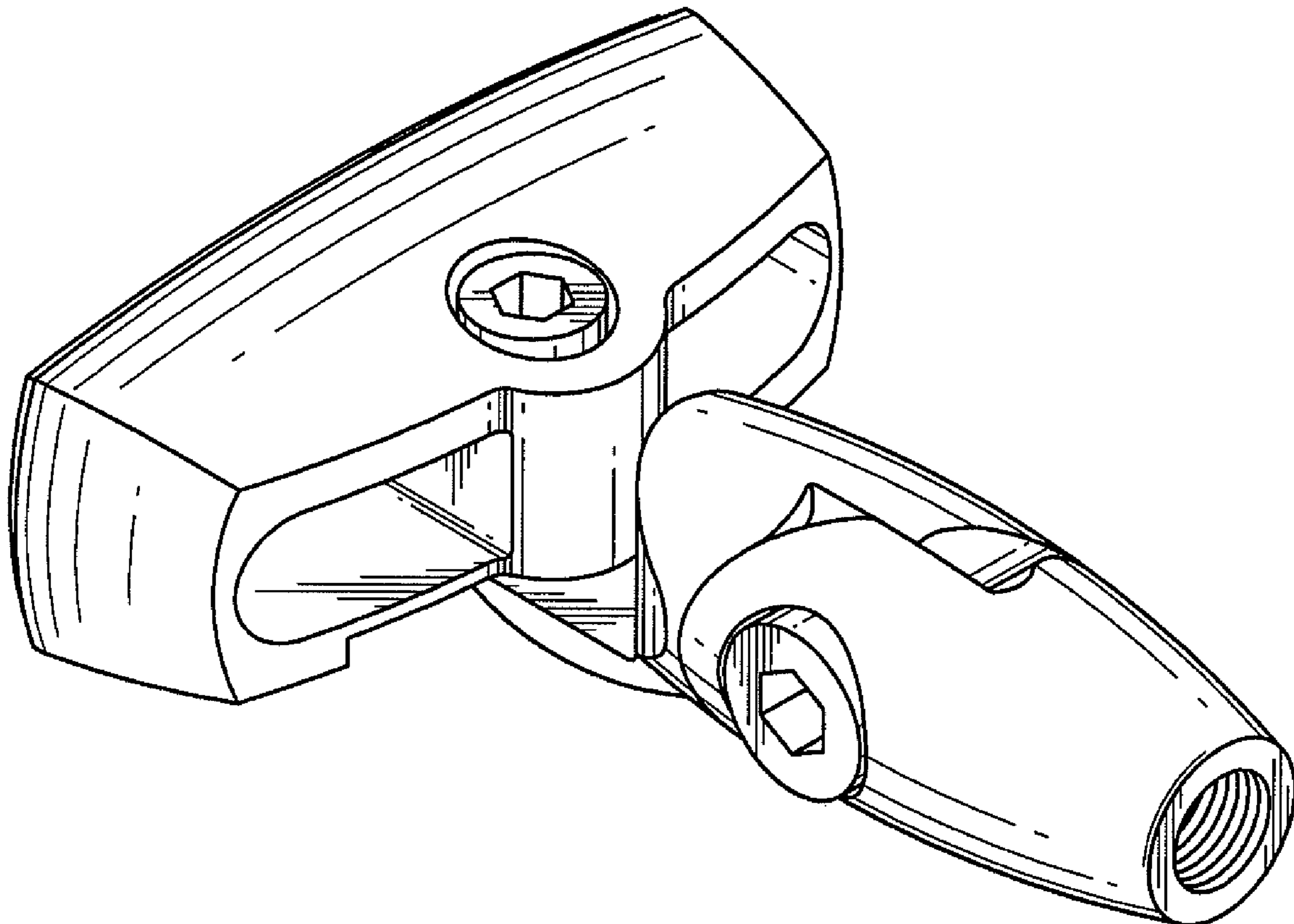
FIG. 7 is a bottom plan view thereof.

(56) **References Cited**

U.S. PATENT DOCUMENTS

D188,316 S *	7/1960	Lombari	D12/187
3,427,097 A *	2/1969	Kemp	359/871
D285,549 S *	9/1986	Haack	D12/187
D300,737 S *	4/1989	Charet et al.	D12/187
D378,288 S *	3/1997	Santo	D12/187
D466,856 S *	12/2002	Gates et al.	D12/223

1 Claim, 4 Drawing Sheets



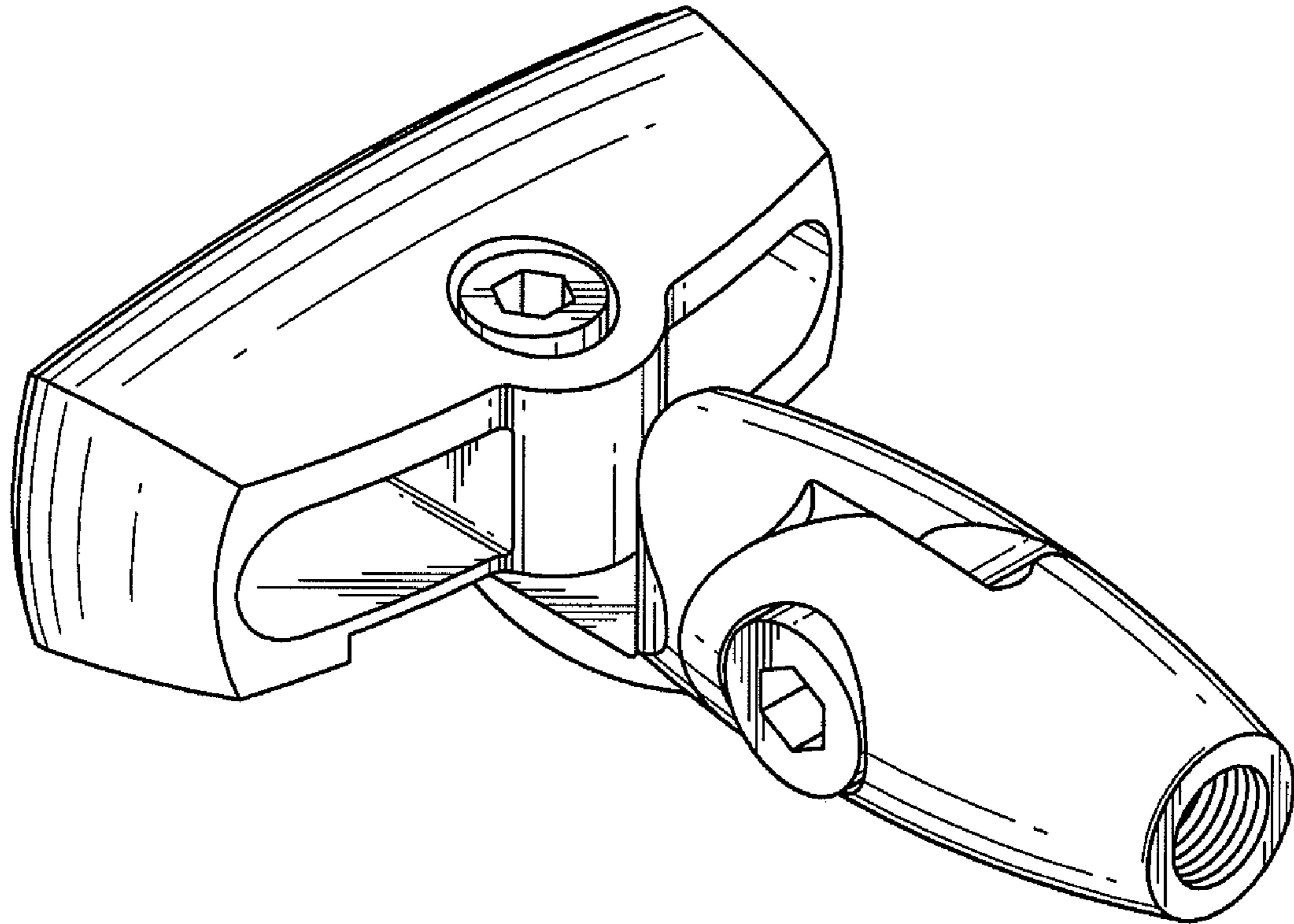


FIG. 1

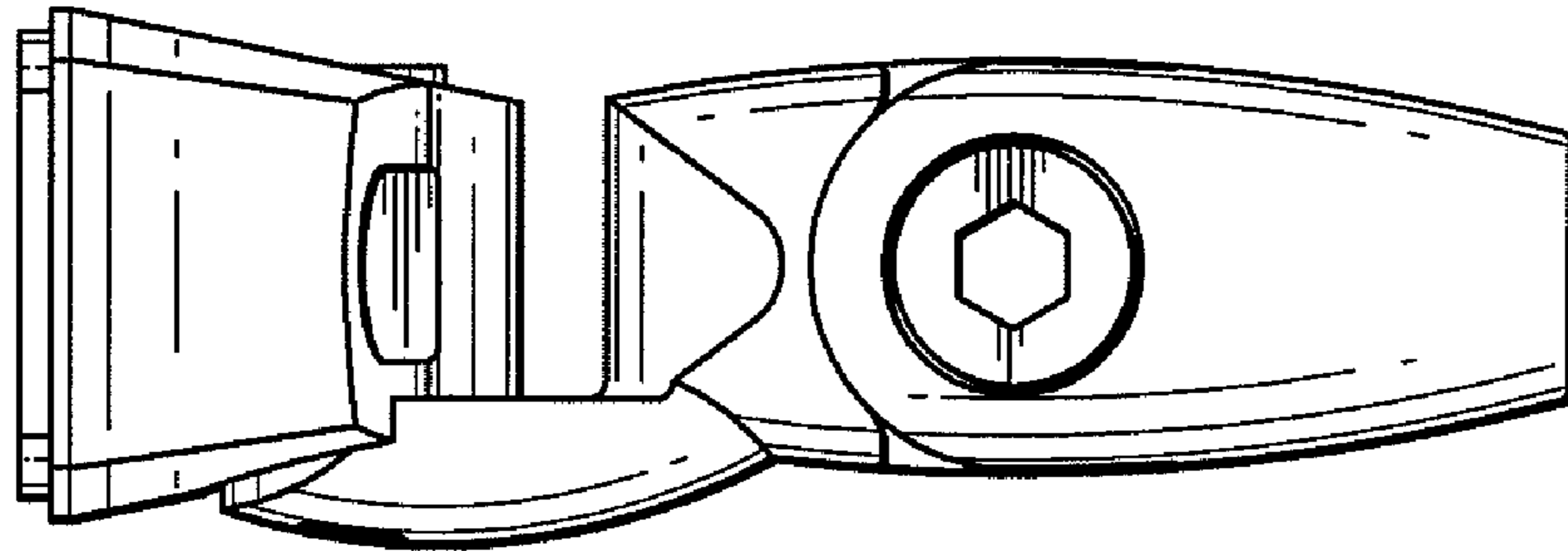


FIG. 2

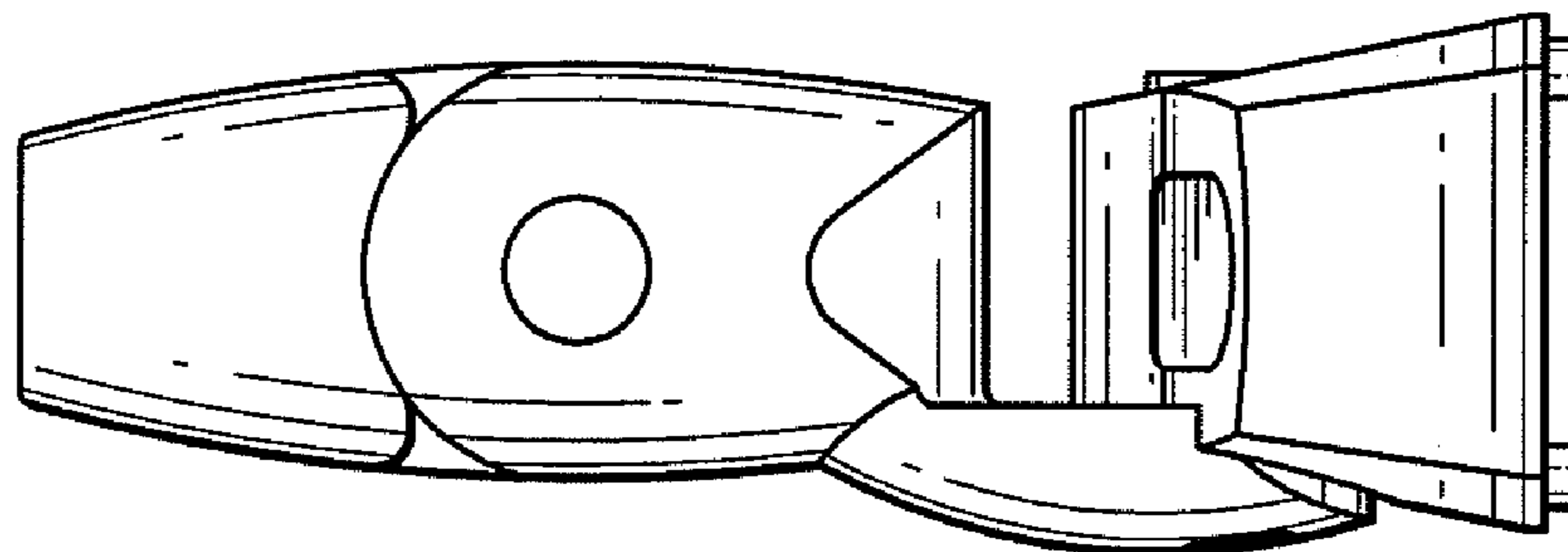


FIG. 3

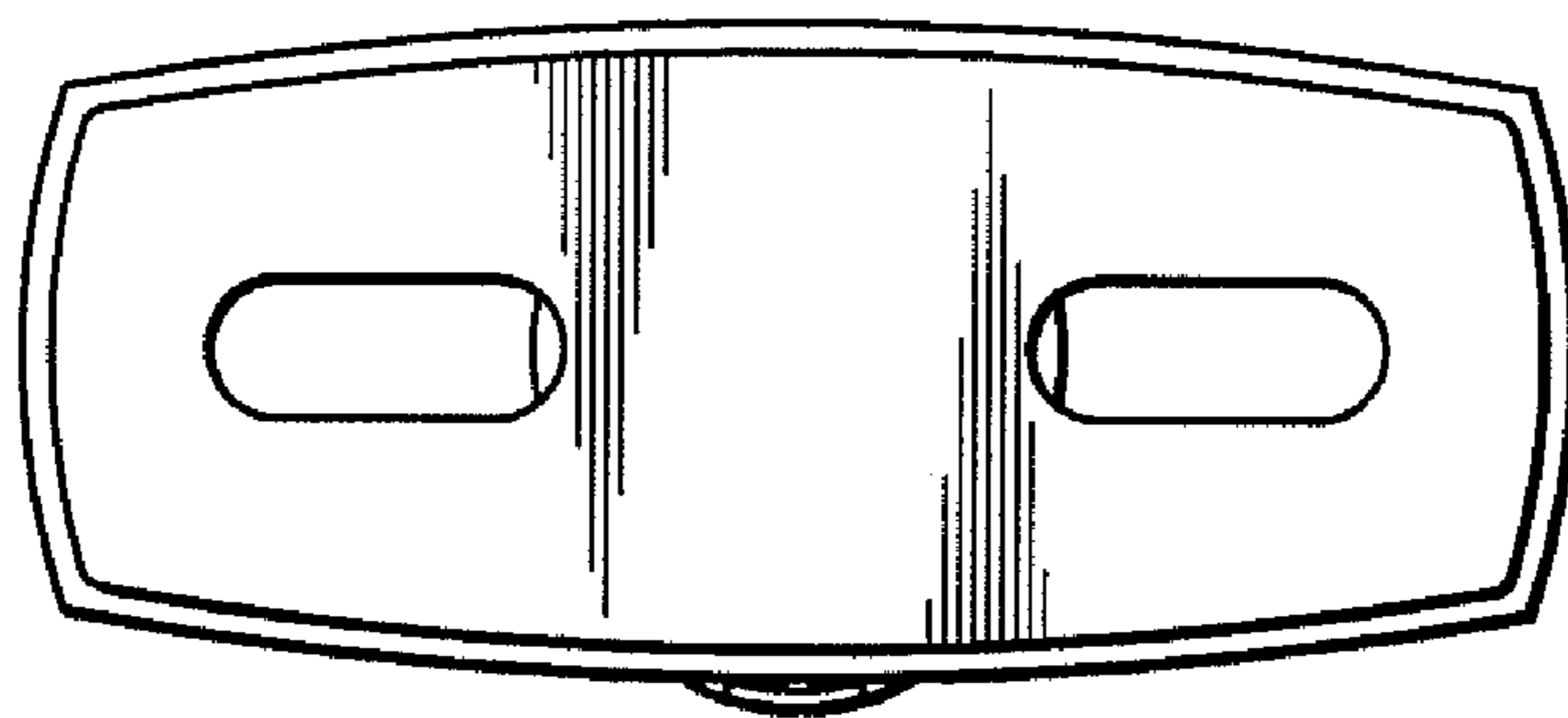


FIG. 4

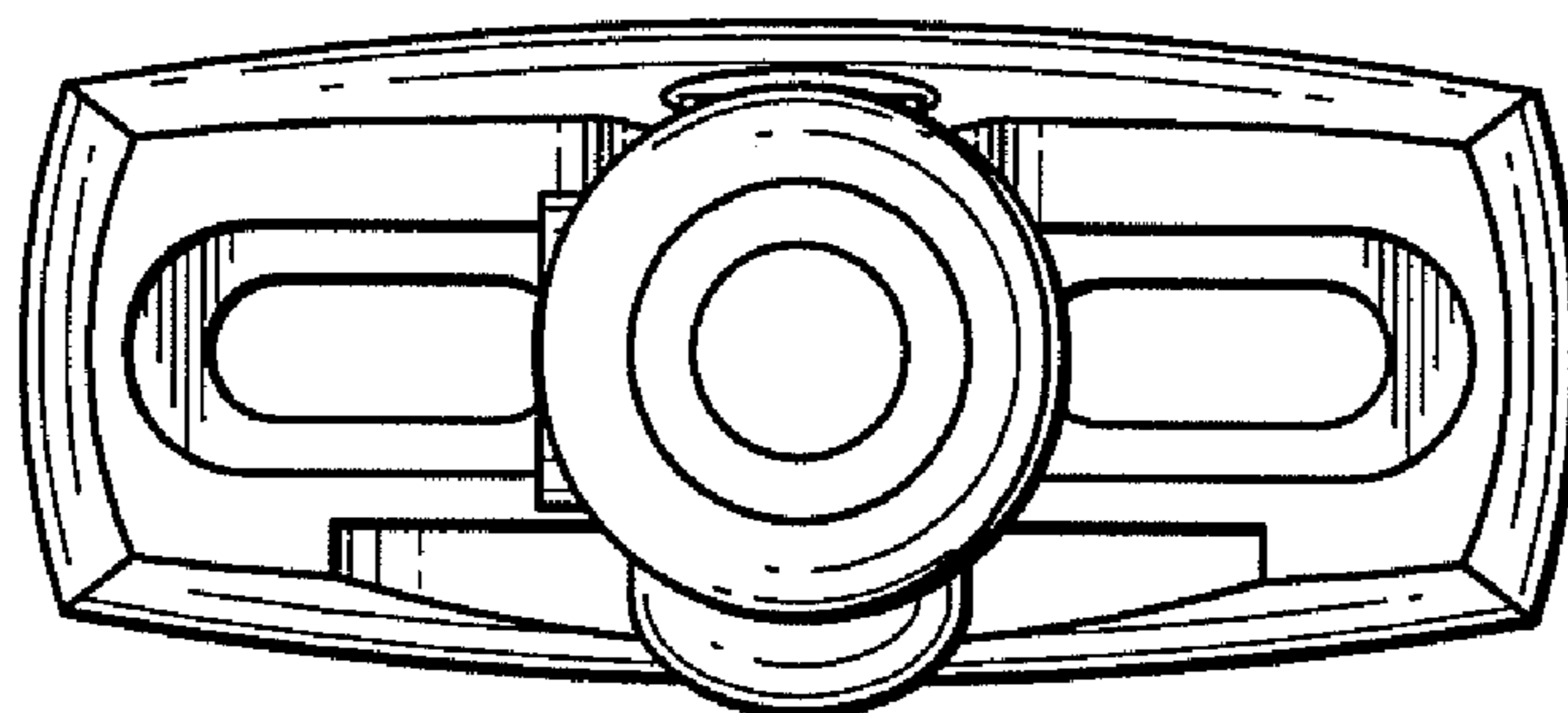


FIG. 5

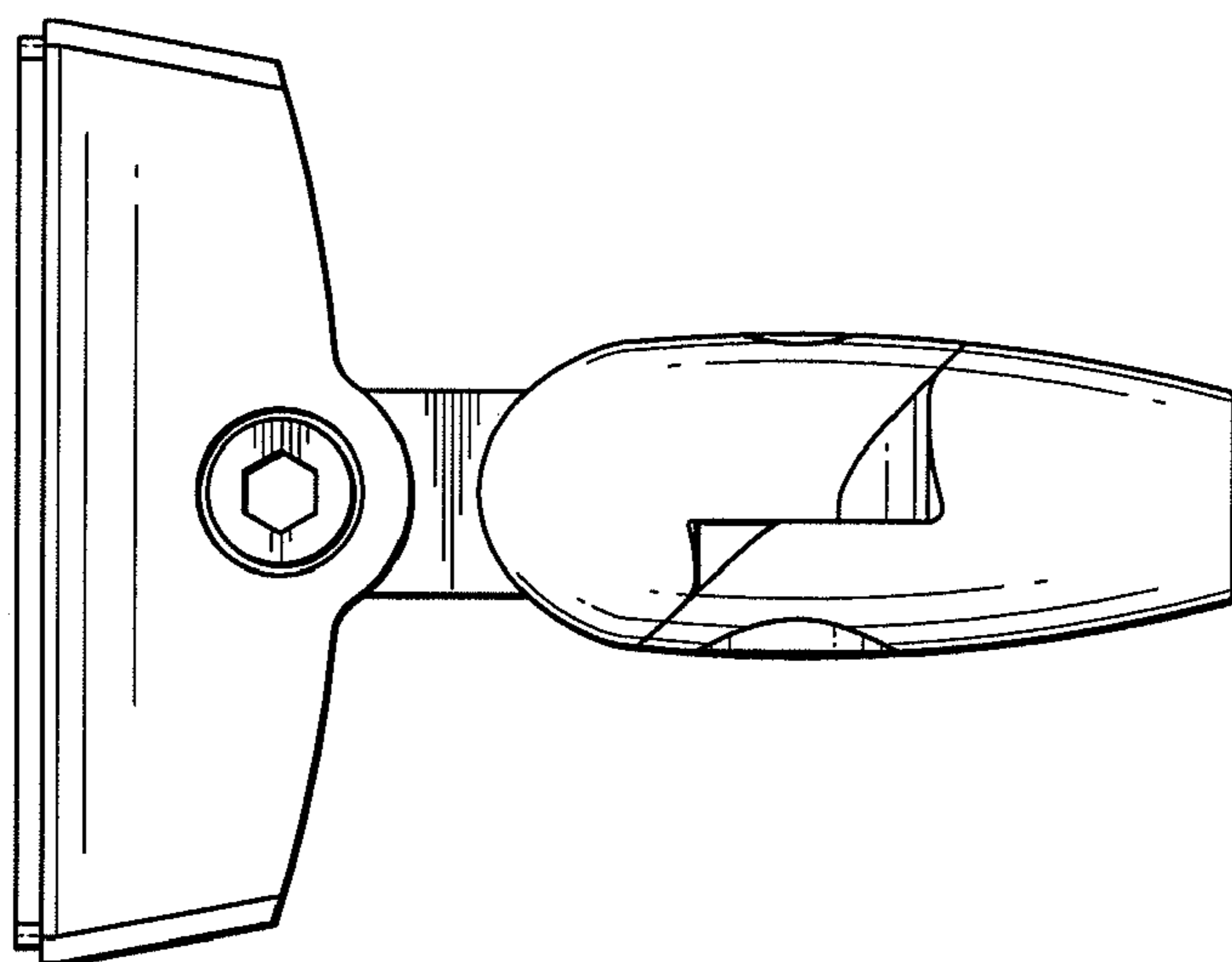


FIG. 6

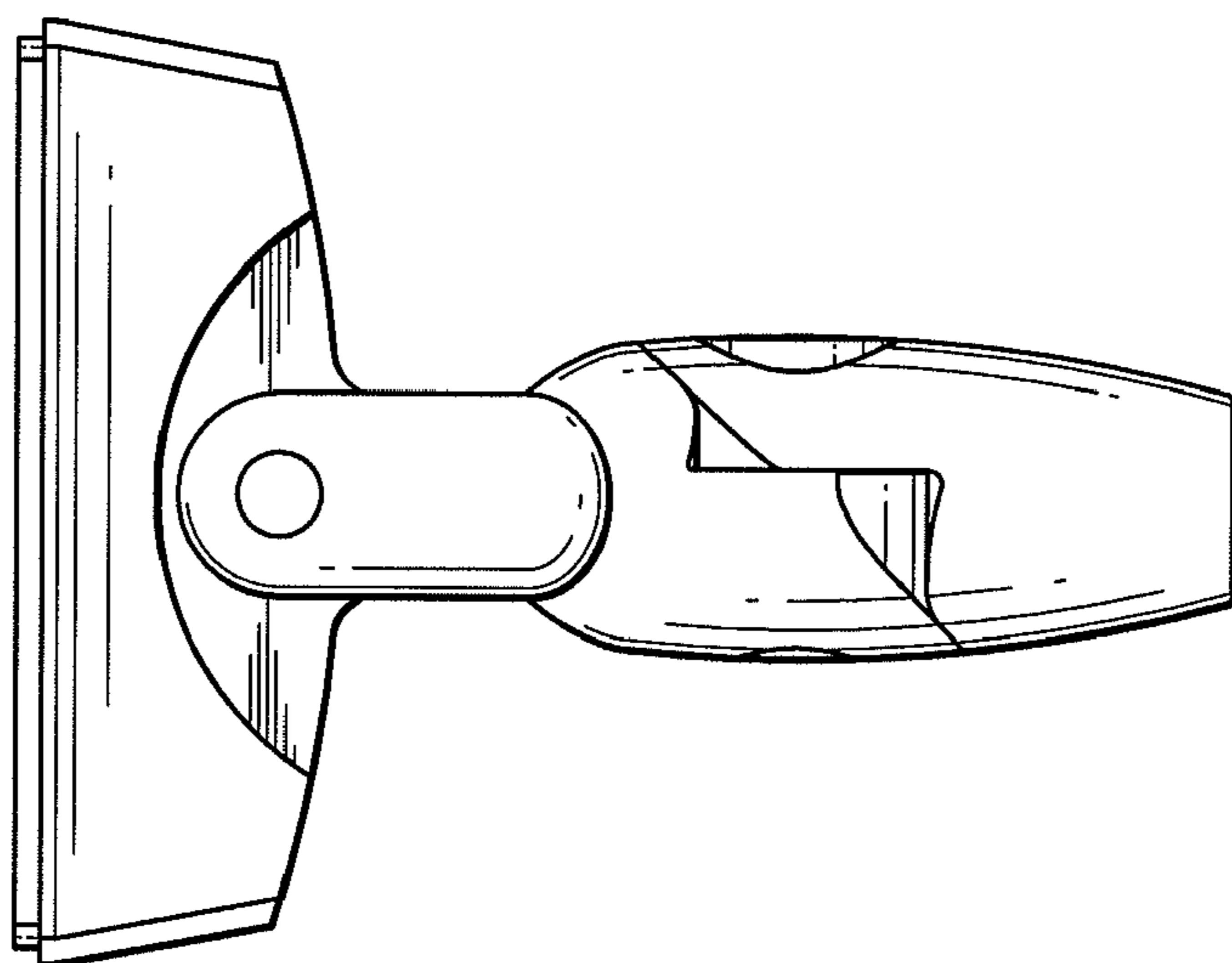


FIG. 7