



US00D576090S

(12) **United States Design Patent**  
**Zavatski et al.**

(10) **Patent No.:** **US D576,090 S**  
(45) **Date of Patent:** **\*\* Sep. 2, 2008**

(54) **VEHICLE FRONT FENDER**

D562,201 S \* 2/2008 Gresens et al. .... D12/184

(75) Inventors: **Irina Zavatski**, Rochester Hills, MI (US); **Timothy W Anness**, Rochester Hills, MI (US)

\* cited by examiner

*Primary Examiner*—Melody N Brown  
(74) *Attorney, Agent, or Firm*—Ralph E. Smith

(73) Assignee: **Chrysler LLC**, Auburn Hills, MI (US)

(57) **CLAIM**

(\*\*) Term: **14 Years**

The ornamental design for a vehicle front fender, as shown and described.

(21) Appl. No.: **29/296,184**

(22) Filed: **Oct. 16, 2007**

**DESCRIPTION**

**Related U.S. Application Data**

(63) Continuation-in-part of application No. 29/249,265, filed on Sep. 29, 2006, now Pat. No. Des. 564,411.

FIG. 1 is a front perspective view of a right vehicle front fender showing our new design, the left being a mirror image thereof;

FIG. 2 is a rear perspective view thereof;

(51) **LOC (8) Cl.** ..... **12-16**

(52) **U.S. Cl.** ..... **D12/184**

(58) **Field of Classification Search** ..... D12/184,  
D12/196, 90-92; 280/152.1, 847-849, 851;  
296/181.1, 181.5

FIG. 3 is a front view thereof;

FIG. 4 is a rear view thereof;

FIG. 5 is a left side view thereof;

FIG. 6 is a right side view thereof;

FIG. 7 is a top plan view thereof; and,

FIG. 8 is a bottom plan view.

See application file for complete search history.

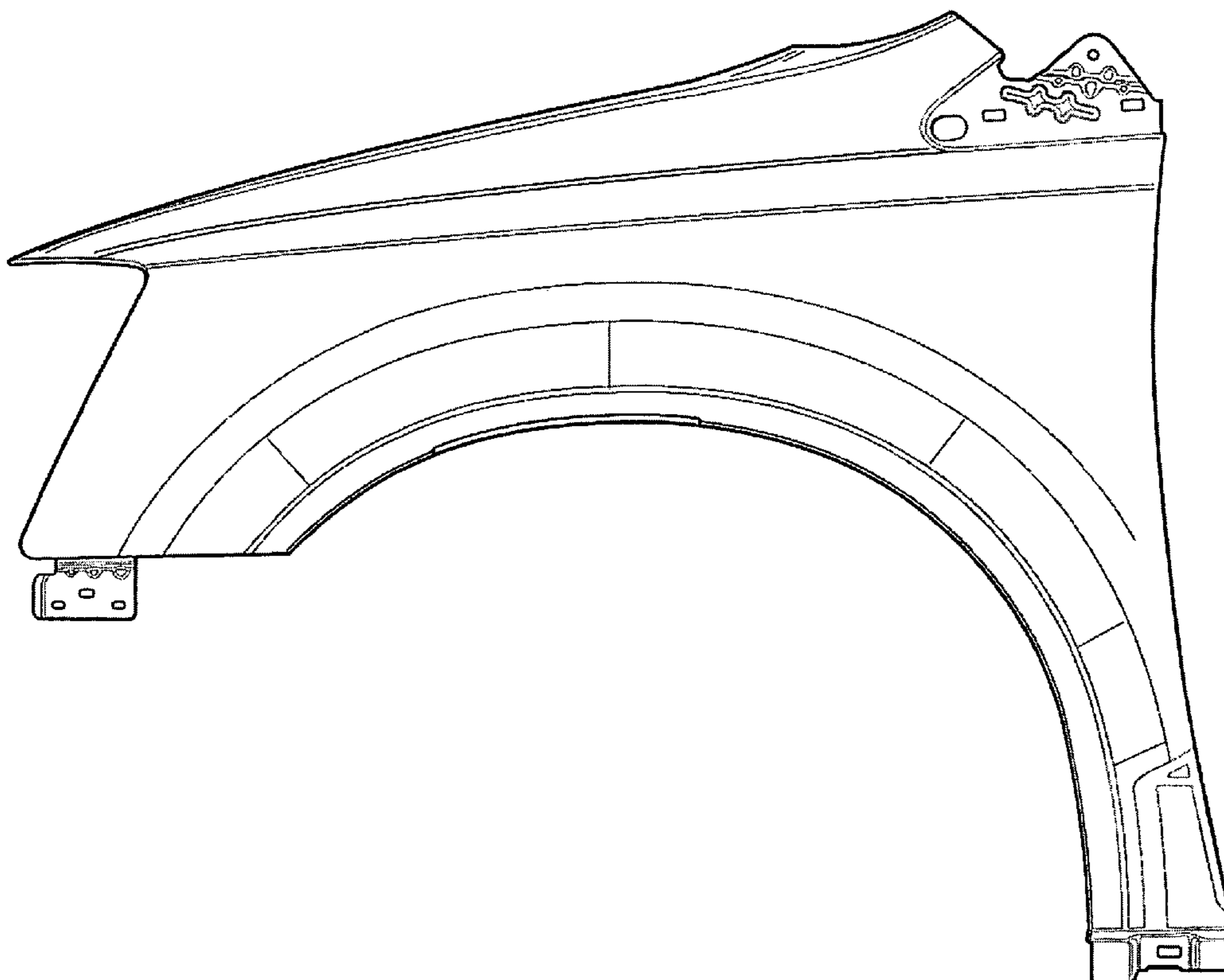
It will be understood that the broken lines presented in the drawings are for illustration only, and do not form a part of the claimed design.

(56) **References Cited**

**U.S. PATENT DOCUMENTS**

D502,131 S \* 2/2005 Otto et al. .... D12/196  
D555,557 S \* 11/2007 Schiavone et al. .... D12/196  
D561,668 S \* 2/2008 Suzuki et al. .... D12/184

**1 Claim, 8 Drawing Sheets**



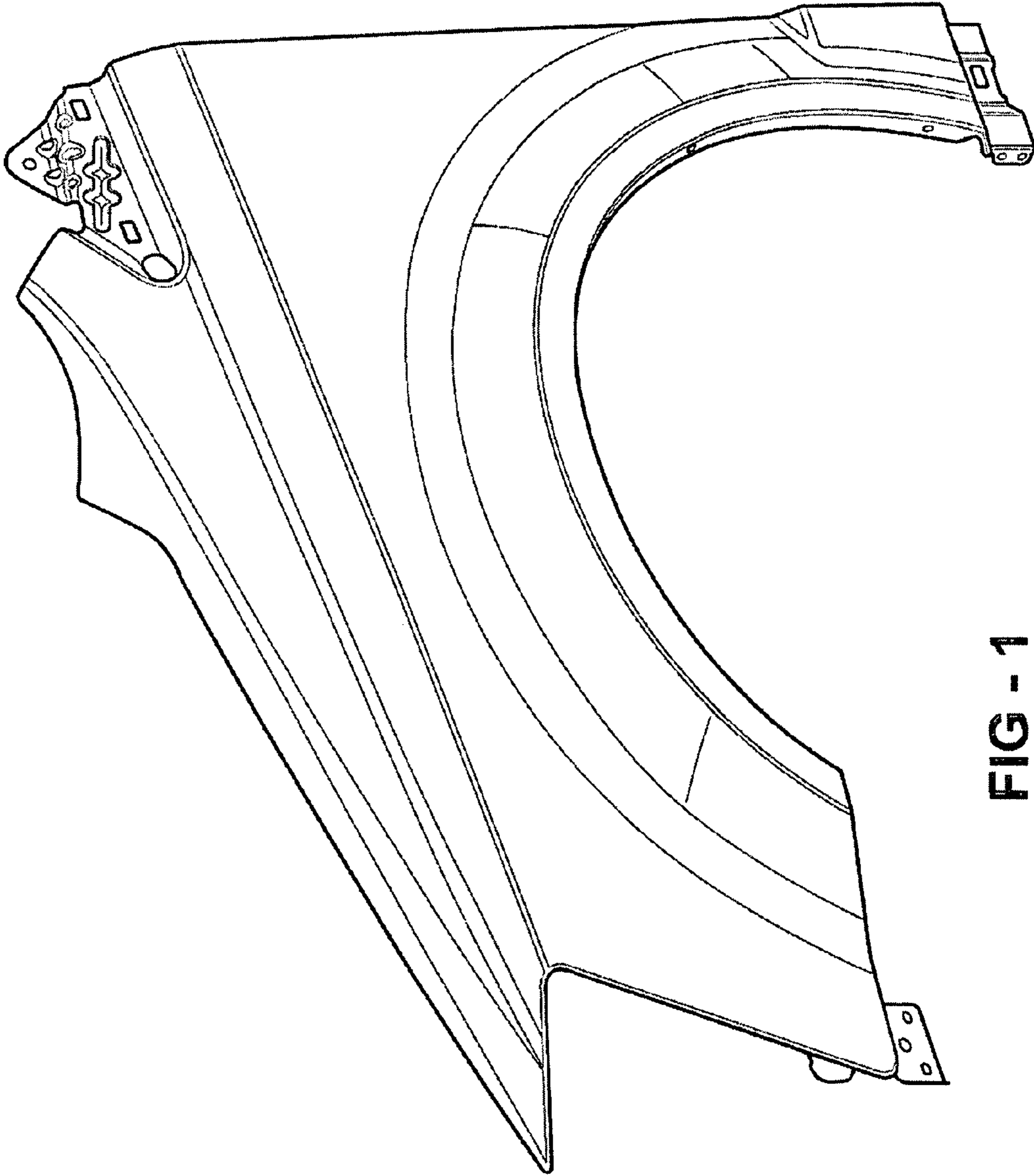
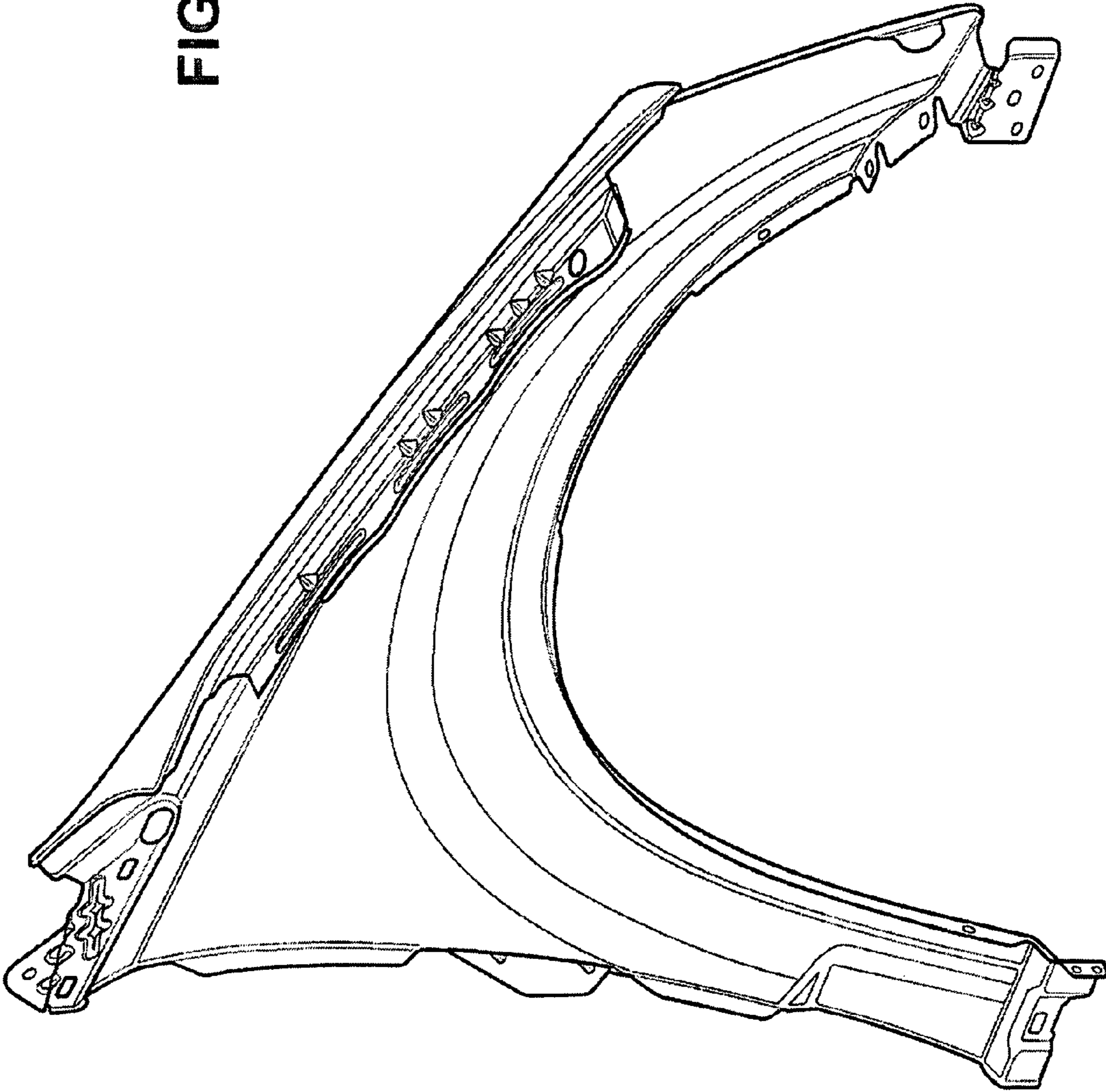


FIG - 1

FIG - 2



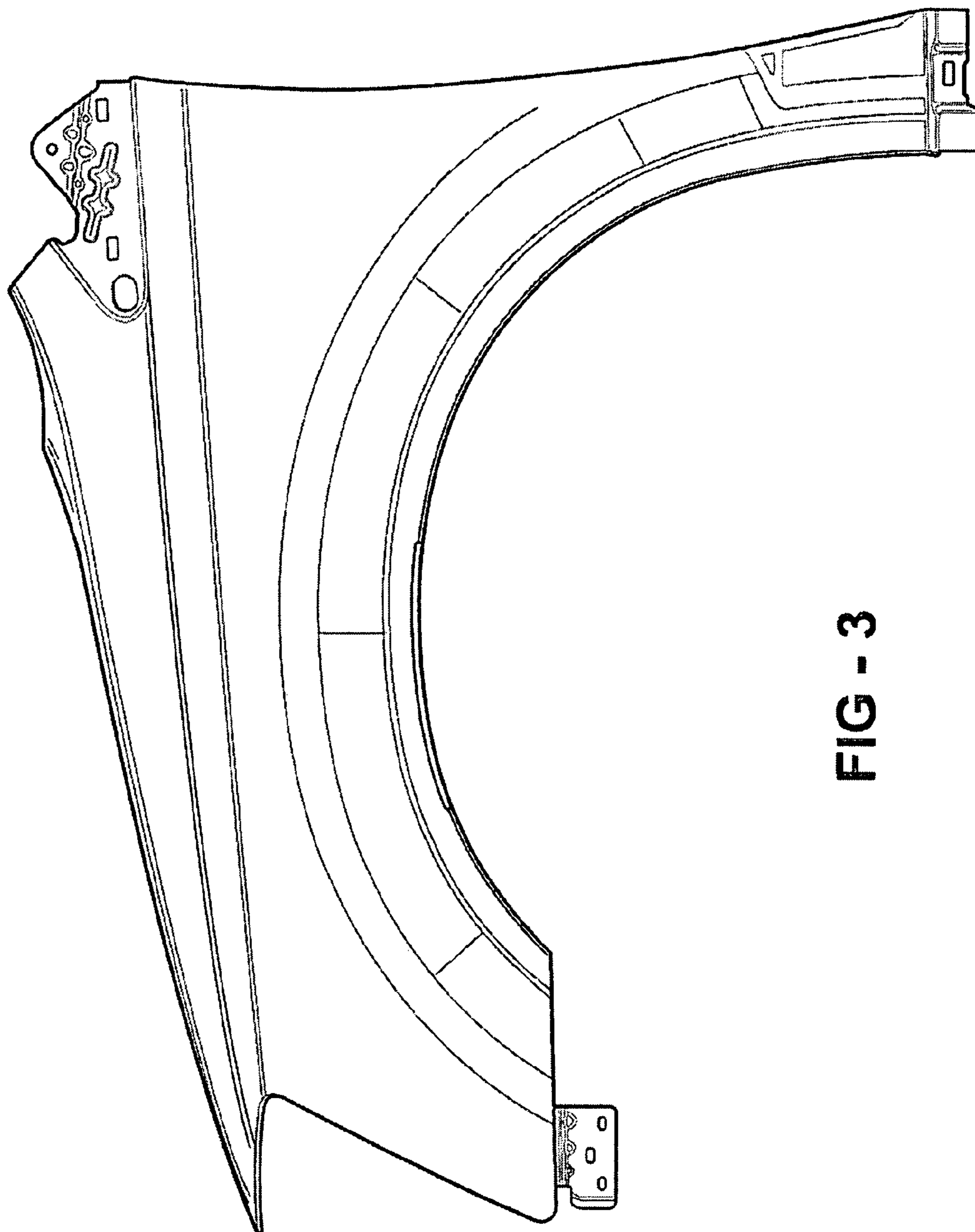


FIG - 3



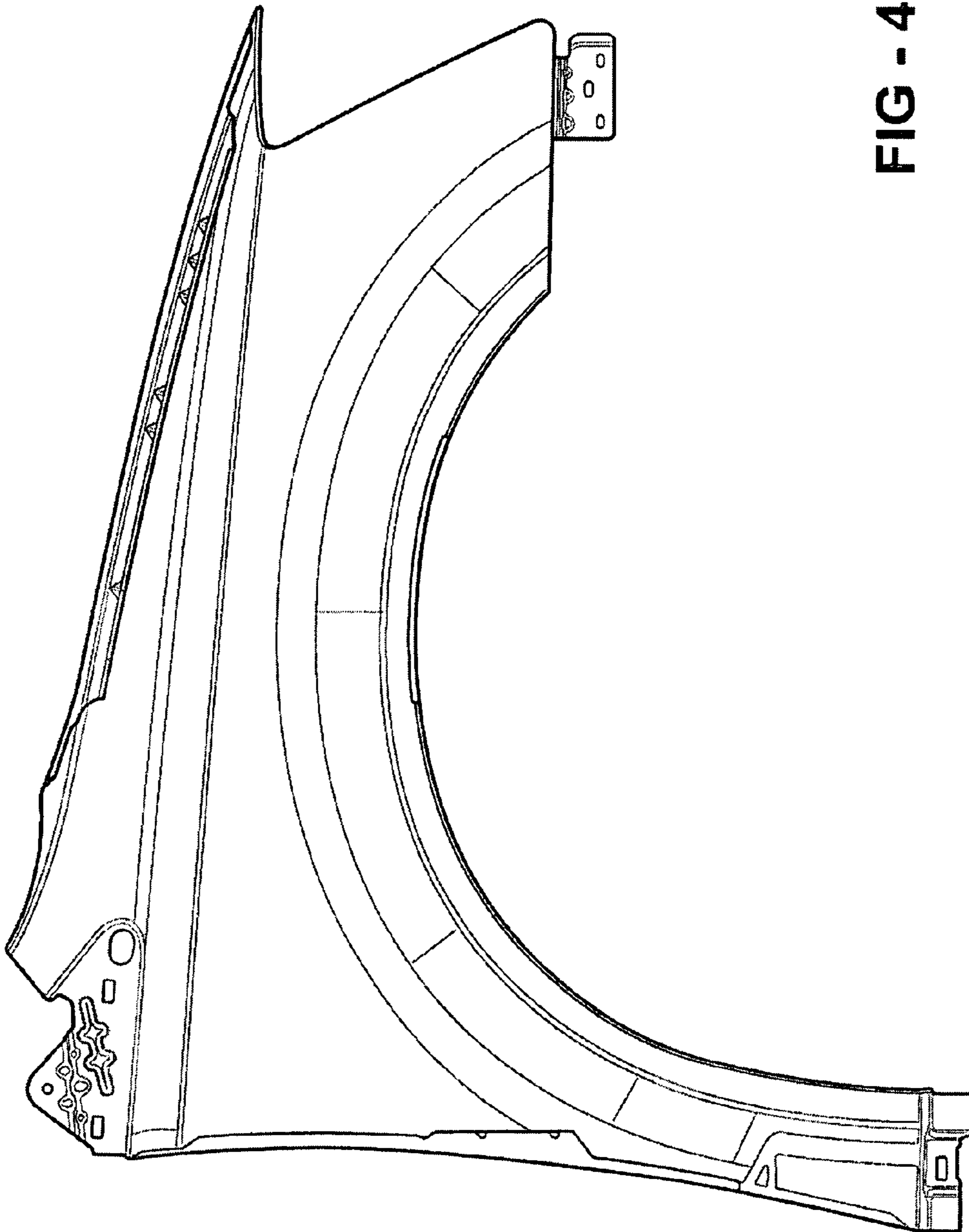


FIG - 4

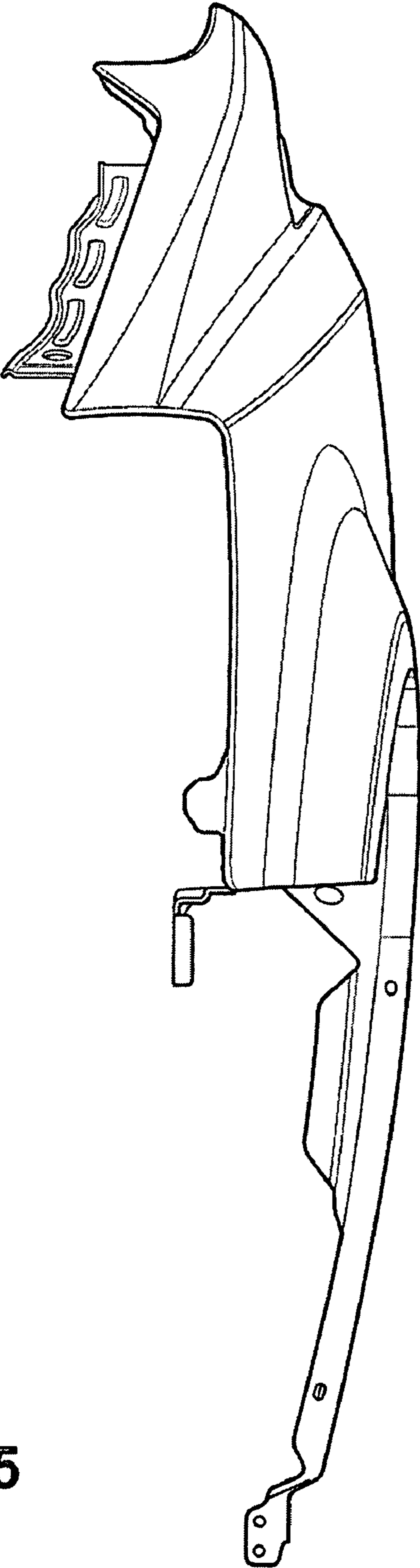
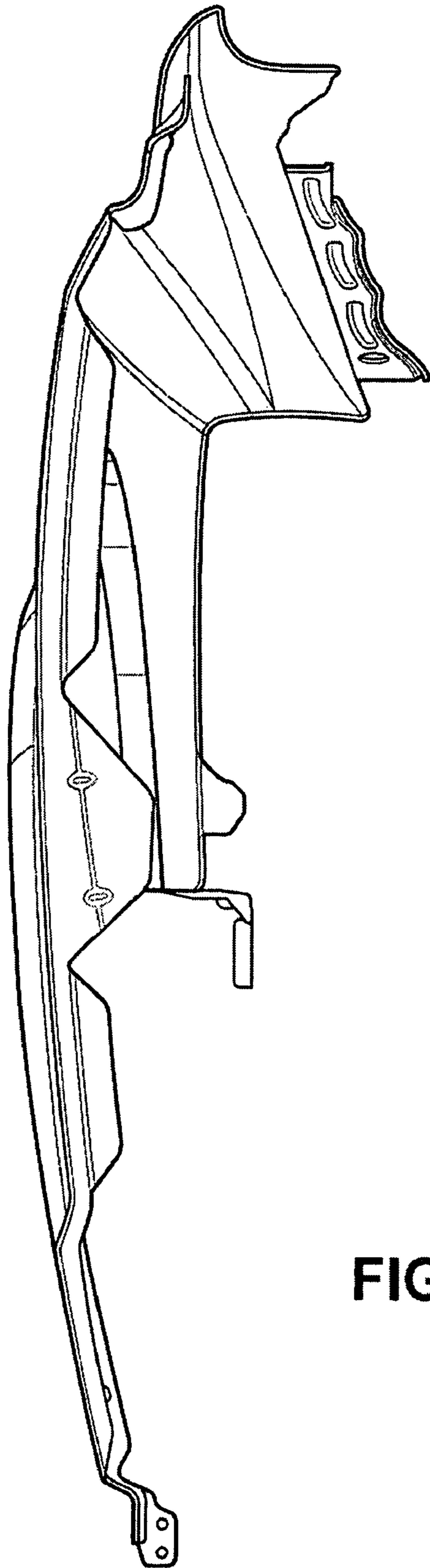


FIG - 5



**FIG - 6**

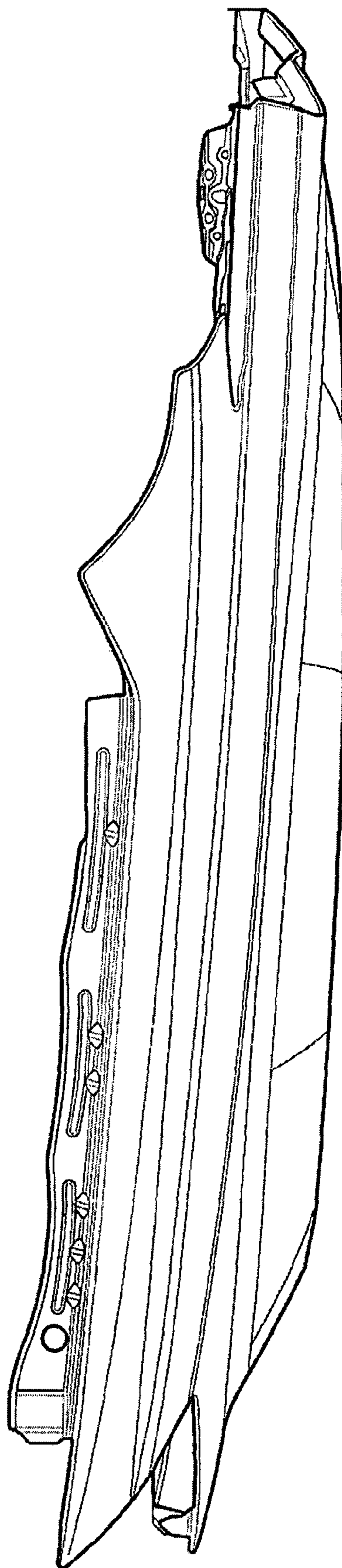


FIG - 7



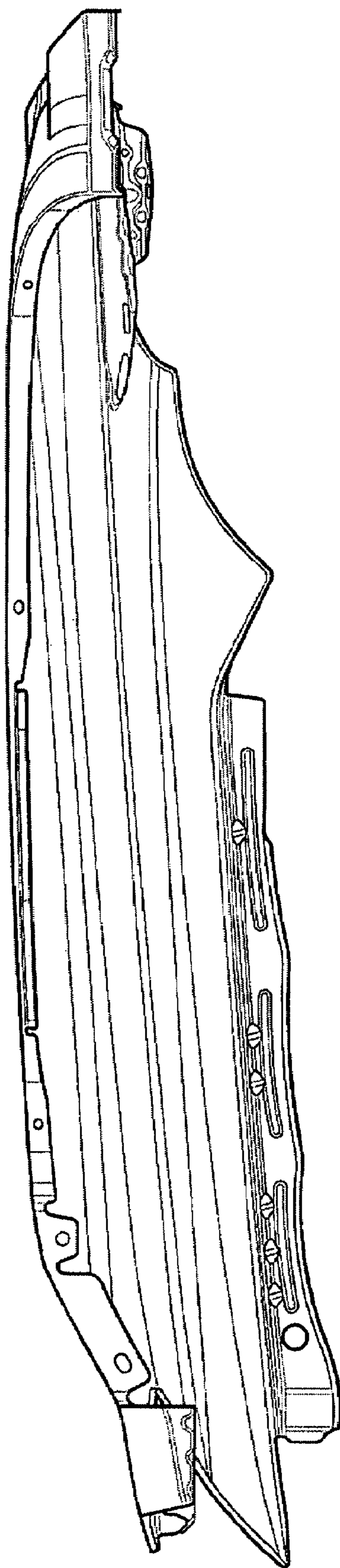


FIG - 8