



US00D576089S

(12) **United States Design Patent**  
**Jones**

(10) **Patent No.:** **US D576,089 S**  
(45) **Date of Patent:** **\*\* Sep. 2, 2008**

(54) **BICYCLE BRAKE PAD**

(75) Inventor: **Christopher S. Jones**, Milwaukee, WI (US)

(73) Assignee: **Hayes Bicycle Group, Inc.**, Mequon, WI (US)

(\*\*) Term: **14 Years**

(21) Appl. No.: **29/275,459**

(22) Filed: **Dec. 27, 2006**

(51) **LOC (8) Cl.** ..... **12-16**

(52) **U.S. Cl.** ..... **D12/180**

(58) **Field of Classification Search** ..... D12/111, D12/179, 180; 188/73.1, 73.3, 73.31-73.39, 188/73.43, 73.45, 218 XL, 250 B, 250 E, 188/250 G

See application file for complete search history.

(56) **References Cited**

**U.S. PATENT DOCUMENTS**

- 4,173,681 A \* 11/1979 Durrieu et al. .... 428/409
- D255,675 S \* 7/1980 Weiser et al. .... D12/180
- D260,015 S \* 7/1981 Sheill ..... D12/180
- D270,824 S \* 10/1983 Robinette ..... D12/180
- D336,741 S 6/1993 Steinke et al.
- D337,089 S 7/1993 Steinke et al.
- D337,559 S 7/1993 Steinke et al.
- D357,656 S 4/1995 Steinke et al.
- D417,642 S \* 12/1999 Ashley, Sr. .... D12/180
- 6,003,639 A 12/1999 Buckley et al.
- 6,267,206 B1 \* 7/2001 Grimme et al. .... 188/73.1
- 6,340,074 B1 1/2002 Lumpkin et al.
- 6,394,236 B1 5/2002 Matsuishita
- 6,401,882 B1 6/2002 Ueda et al.
- 6,425,464 B2 7/2002 Lumpkin et al.
- 6,474,453 B2 \* 11/2002 Sano ..... 188/251 A

- 6,491,137 B2 12/2002 Lumpkin et al.
- 6,564,910 B1 5/2003 Chen et al.
- D507,217 S \* 7/2005 Goldenberg et al. .... D12/180
- 7,261,188 B2 8/2007 Kariyama
- 7,278,519 B2 10/2007 Iwai et al.
- 2007/0240948 A1 \* 10/2007 Kashimoto et al. .... 188/251 A

**OTHER PUBLICATIONS**

<http://www.koolstop.com/brakes/DiscBrackes/index.php>, 5 pages printed Nov. 6, 2007.

Taiwan Bicycles Guide Parts & Accessories 2004-2005, Alligator Replacement Disc Brake Pads Suitable for Hope Technology 2 Pots "Mini".

Taiwan Bicycles Guide Parts & Accessories 2005-2006, p. 504.

\* cited by examiner

*Primary Examiner*—Cathron Brooks

*Assistant Examiner*—Linda Brooks

(74) *Attorney, Agent, or Firm*—Whyte Hirschboeck Dudek SC

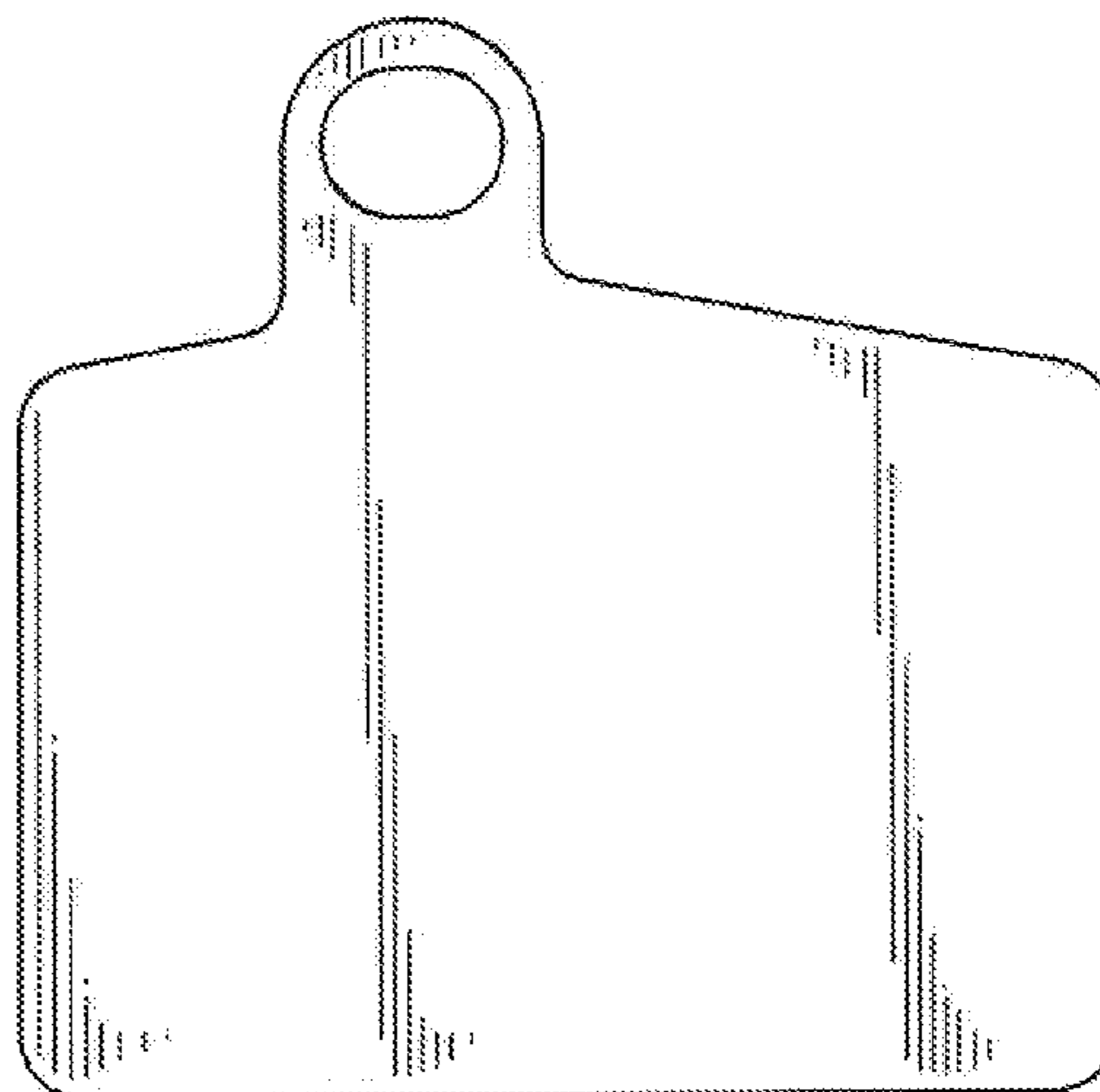
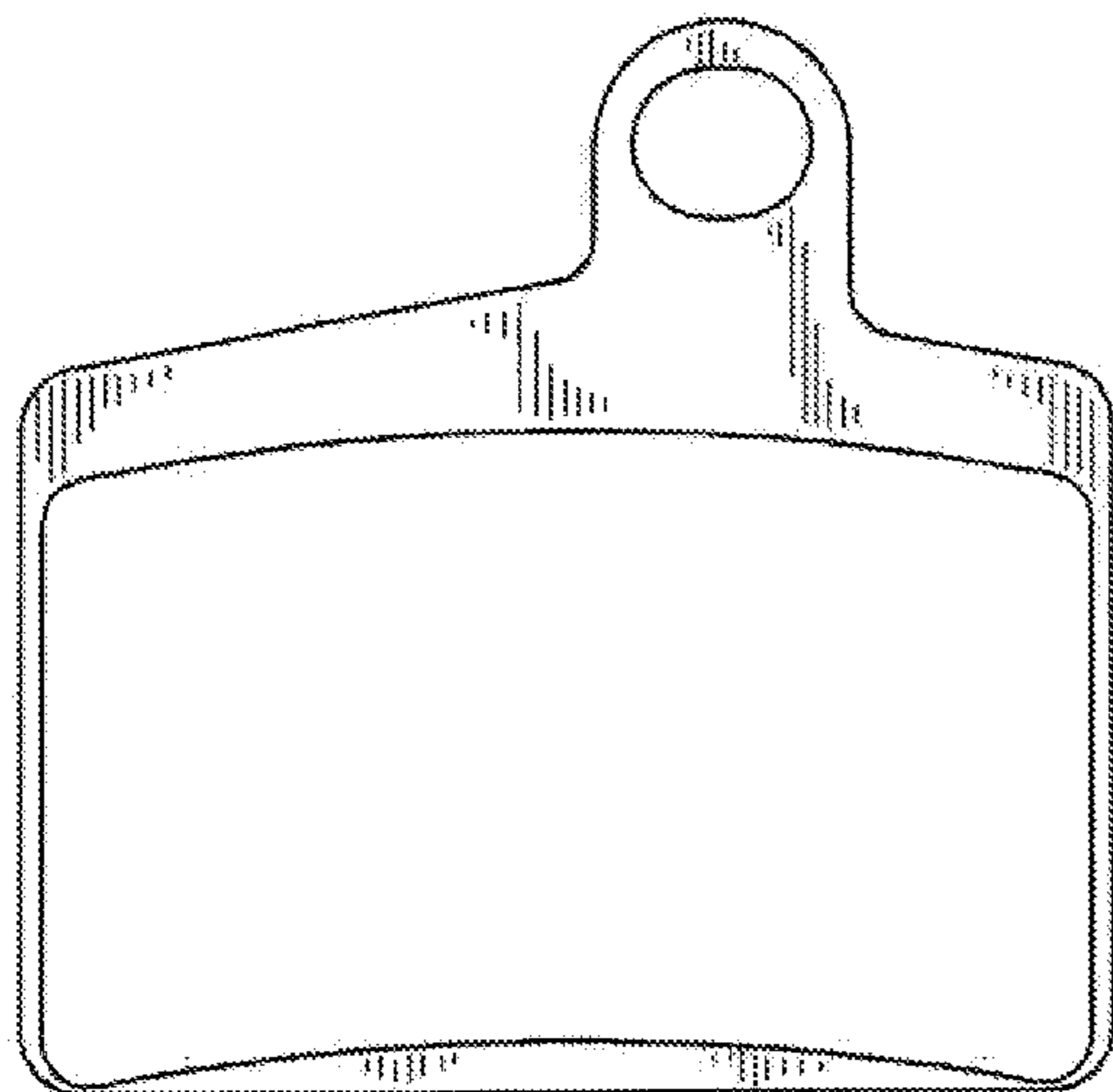
(57) **CLAIM**

The ornamental design for a bicycle brake pad, as shown and described.

**DESCRIPTION**

- FIG. 1 is a front perspective view of the design;
- FIG. 2 is a front elevational view thereof;
- FIG. 3 is a rear view thereof;
- FIG. 4 is a side view thereof;
- FIG. 5 is a side view thereof, rotated 180 degrees from the view shown in FIG. 4;
- FIG. 6 is a top thereof; and,
- FIG. 7 is a bottom view thereof.

**1 Claim, 3 Drawing Sheets**



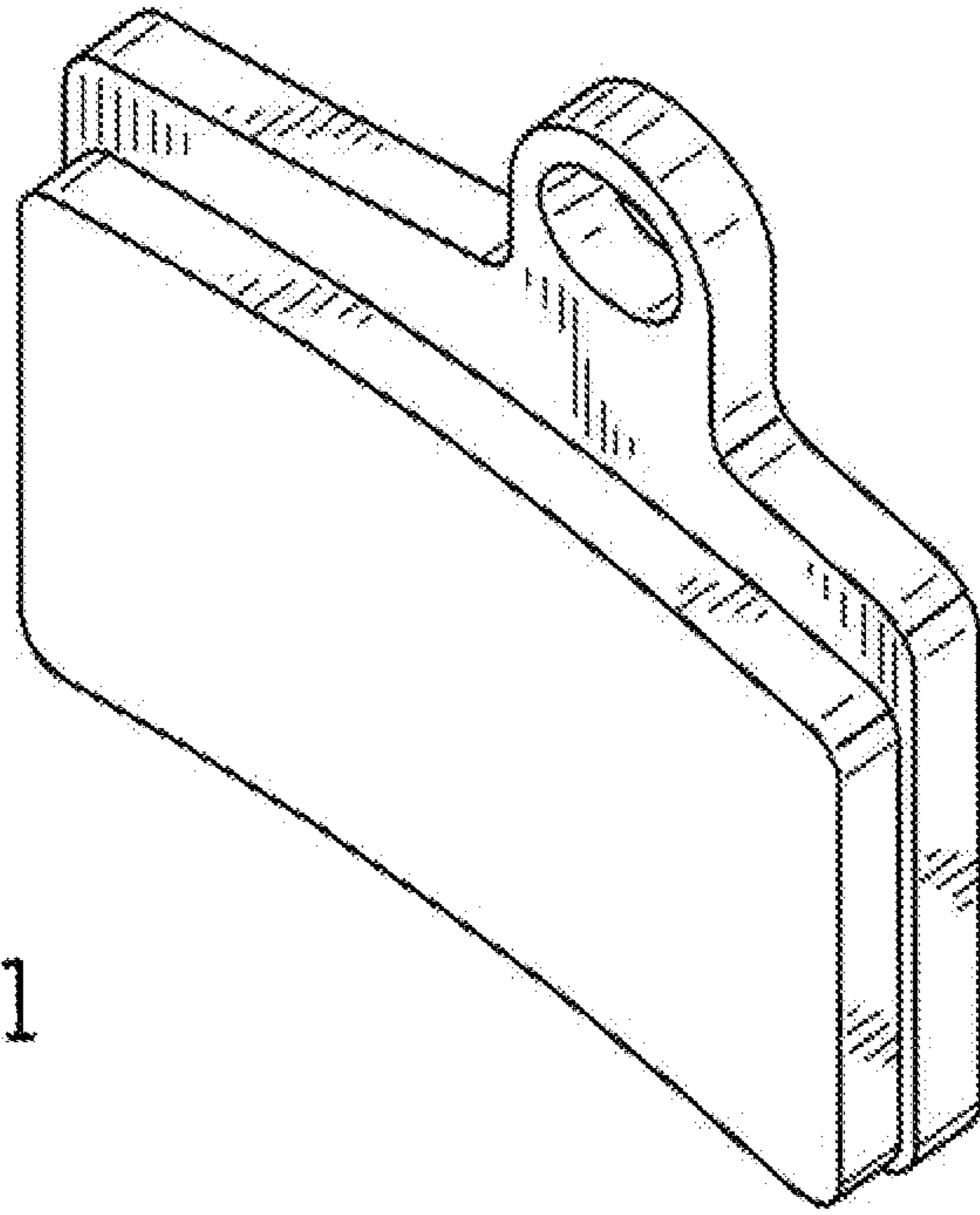


FIG. 1

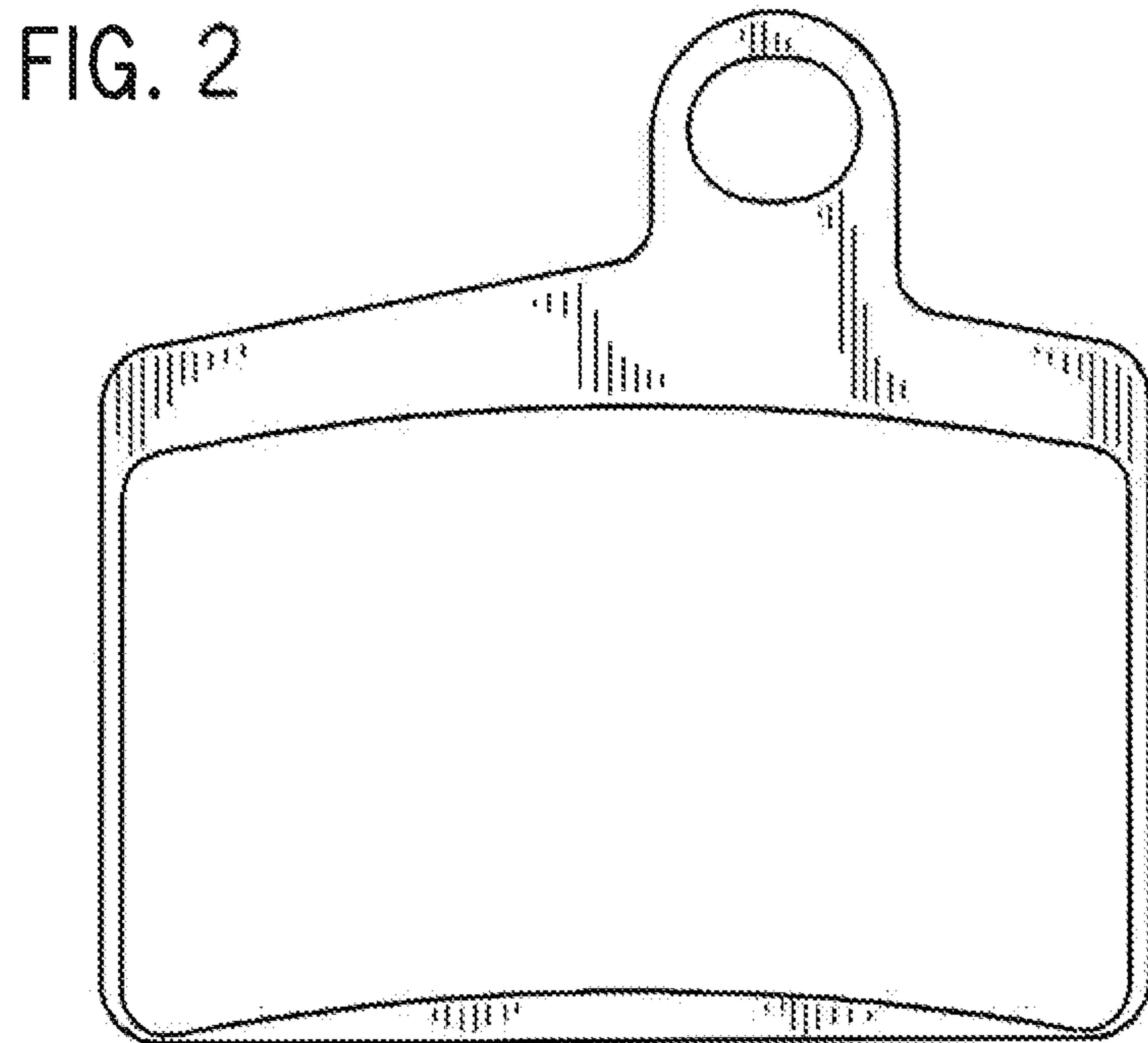


FIG. 2

FIG. 3

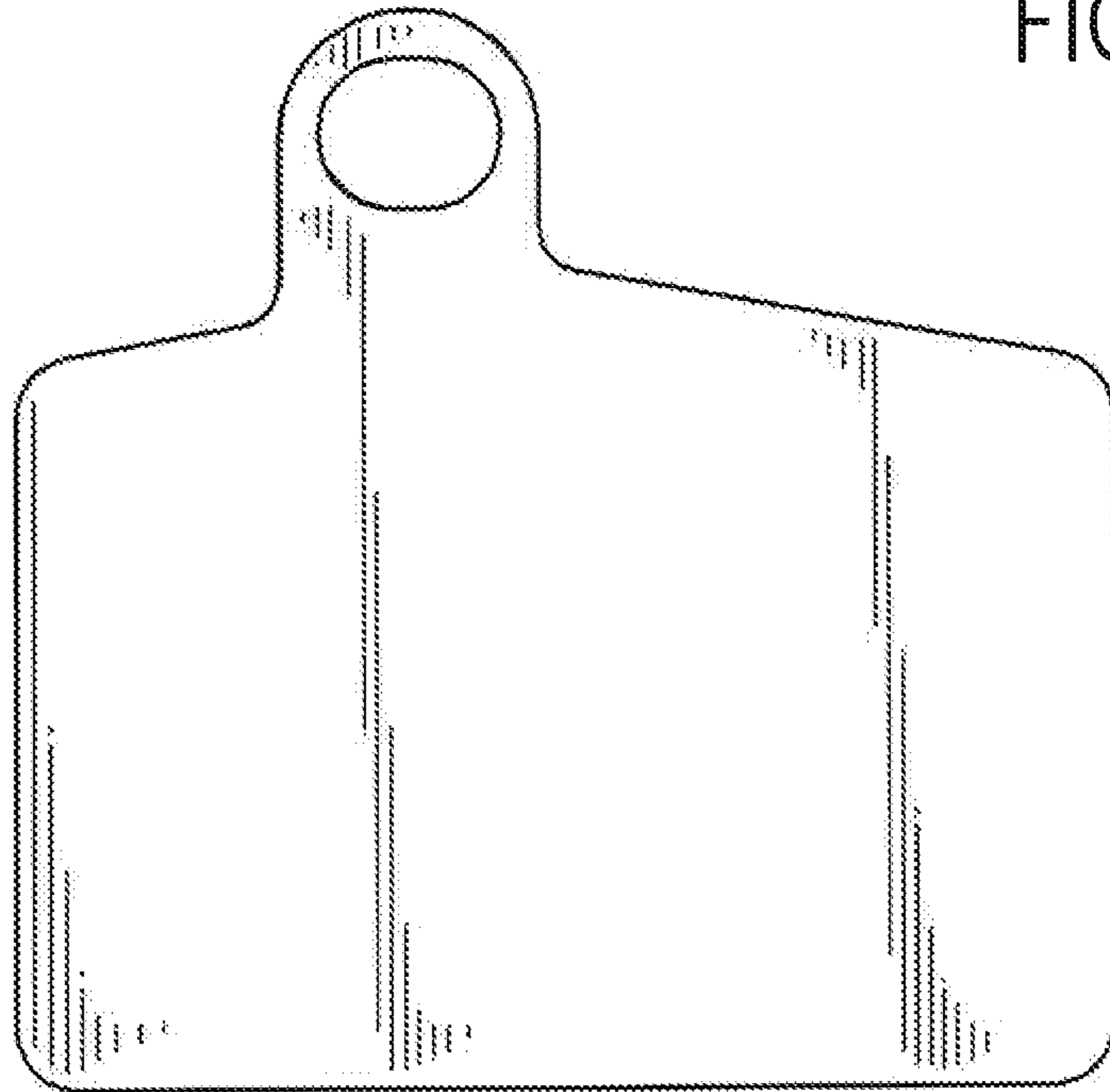


FIG. 4

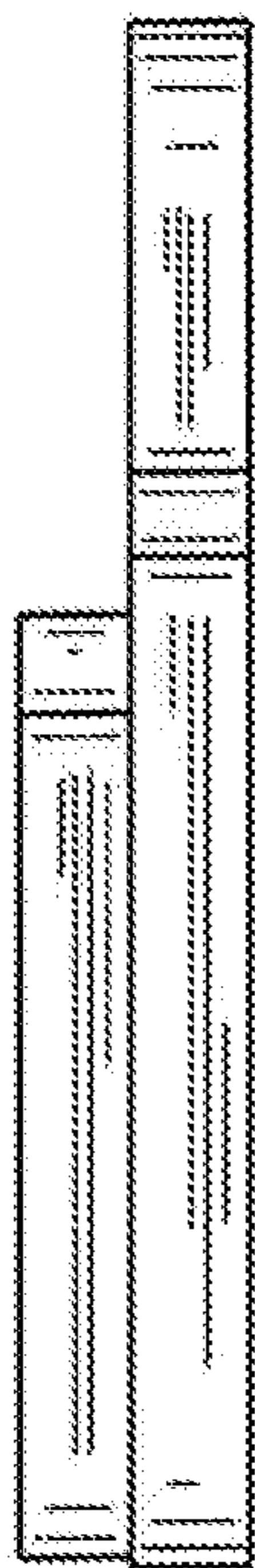


FIG. 5

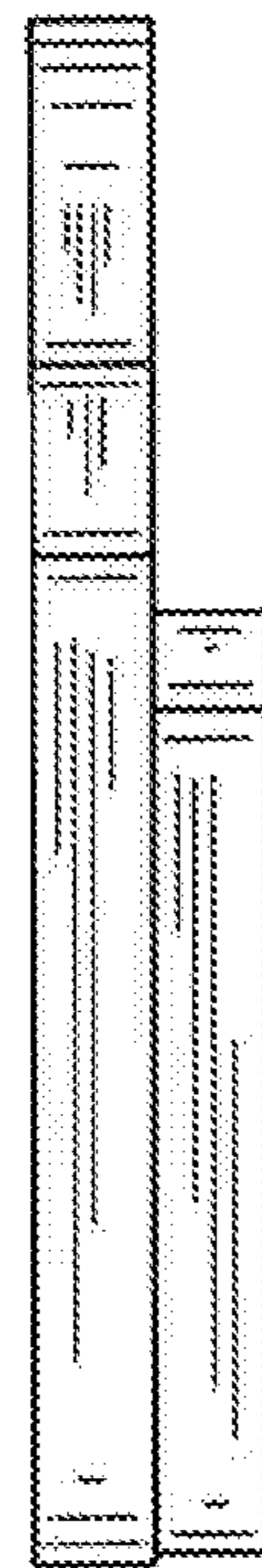


FIG. 6

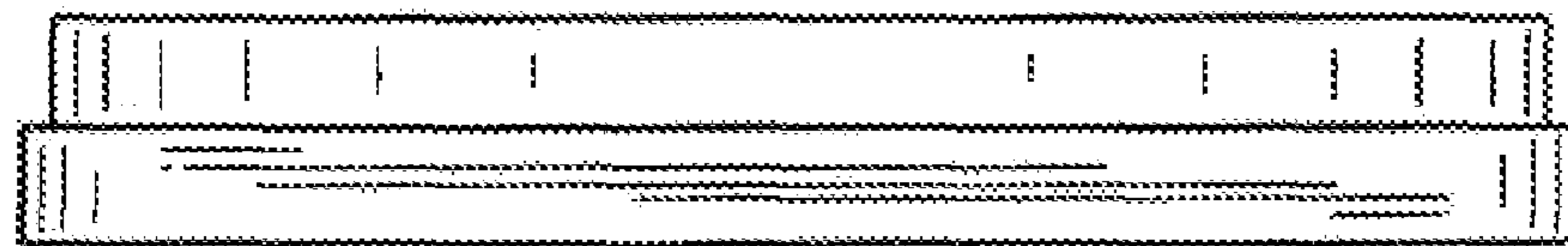
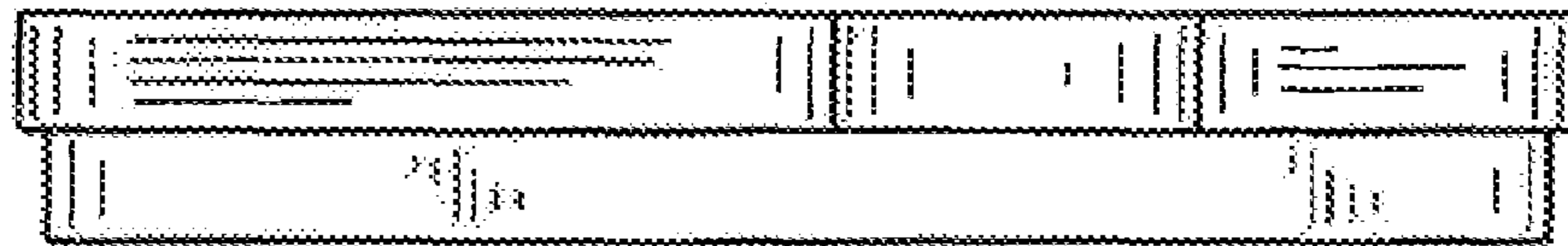


FIG. 7