



US00D576087S

(12) **United States Design Patent**
Schlinkert

(10) **Patent No.:** **US D576,087 S**

(45) **Date of Patent:** **** Sep. 2, 2008**

(54) **BOAT FENDER**

6,477,973 B1 11/2002 Kobas
2003/0153221 A1 8/2003 Weir

(76) Inventor: **Thomas R. Schlinkert**, 8401 Osprey
Dr., Elberta, AL (US) 36530

* cited by examiner

(**) Term: **14 Years**

Primary Examiner—Lisa P Lichtenstein
(74) *Attorney, Agent, or Firm*—Kenneth M. Bush; Bush
Intellectual Property Law

(21) Appl. No.: **29/259,042**

(22) Filed: **May 1, 2006**

(57) **CLAIM**

(51) **LOC (8) Cl.** **12-16**

The ornamental design for a boat fender, as shown and
described.

(52) **U.S. Cl.** **D12/168**

(58) **Field of Classification Search** D12/168;
D21/801, 803; 114/219, 220; 441/40, 41
See application file for complete search history.

DESCRIPTION

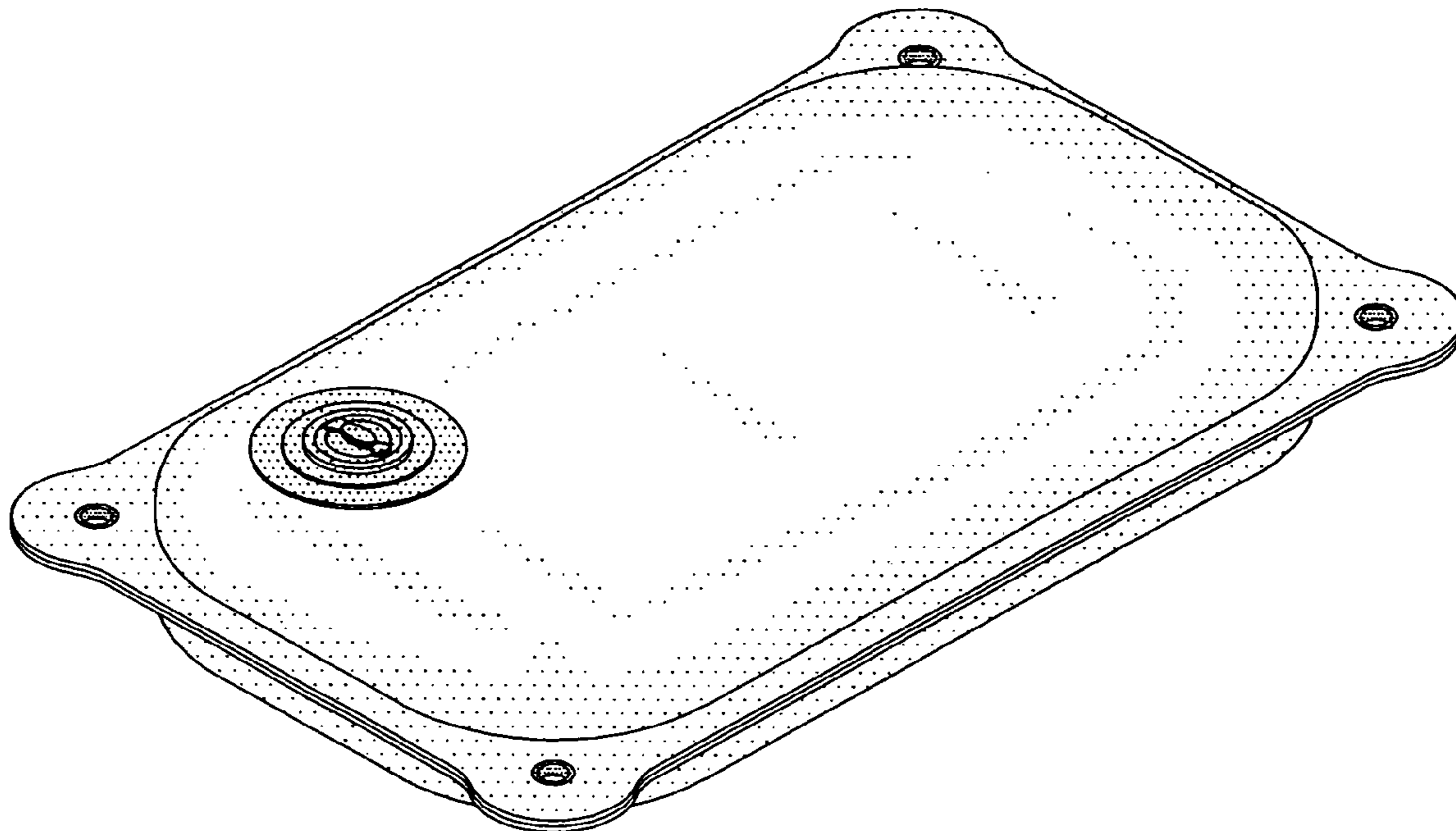
(56) **References Cited**

U.S. PATENT DOCUMENTS

2,577,236	A	12/1951	Doherty	
2,743,510	A	5/1956	Mauney et al.	
3,498,252	A	3/1970	Peacock	
RE28,916	E	7/1976	Rice et al.	
3,988,997	A *	11/1976	Fenton	114/219
5,013,272	A	5/1991	Watkins	
D367,198	S *	2/1996	Wolf	D6/601
D414,993	S *	10/1999	Bordal et al.	D7/701

FIG. 1 is a top perspective view of the boat fender;
FIG. 2 is a bottom perspective view of the boat fender;
FIG. 3 is a top plan view of the boat fender;
FIG. 4 is a bottom view of the boat fender;
FIG. 5 is a front elevational view of the boat fender;
FIG. 6 is a rear elevational view of the boat fender;
FIG. 7 is a left side elevational view of the boat fender; and,
FIG. 8 is a right side elevational view of the boat fender.

1 Claim, 3 Drawing Sheets



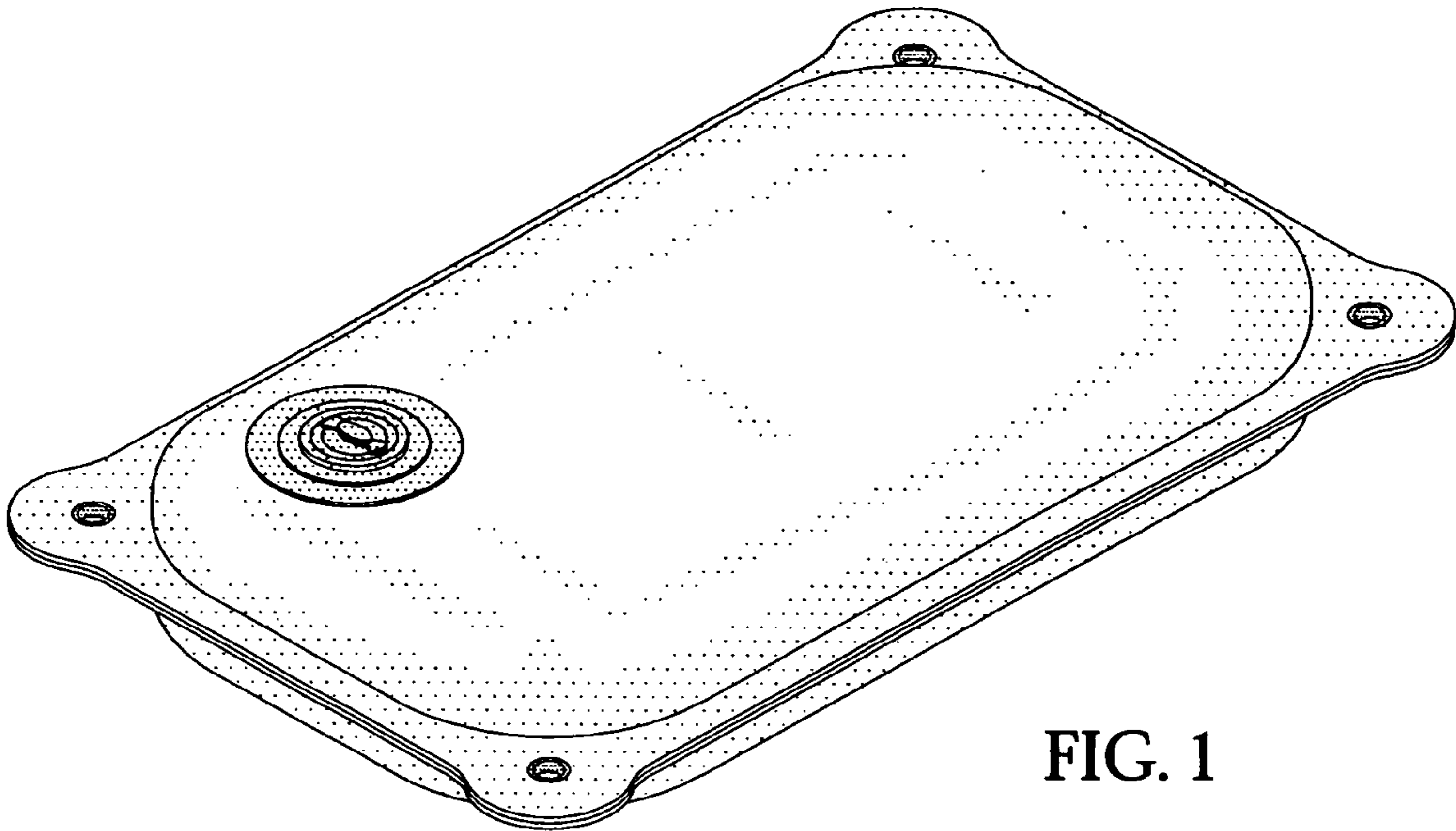


FIG. 1

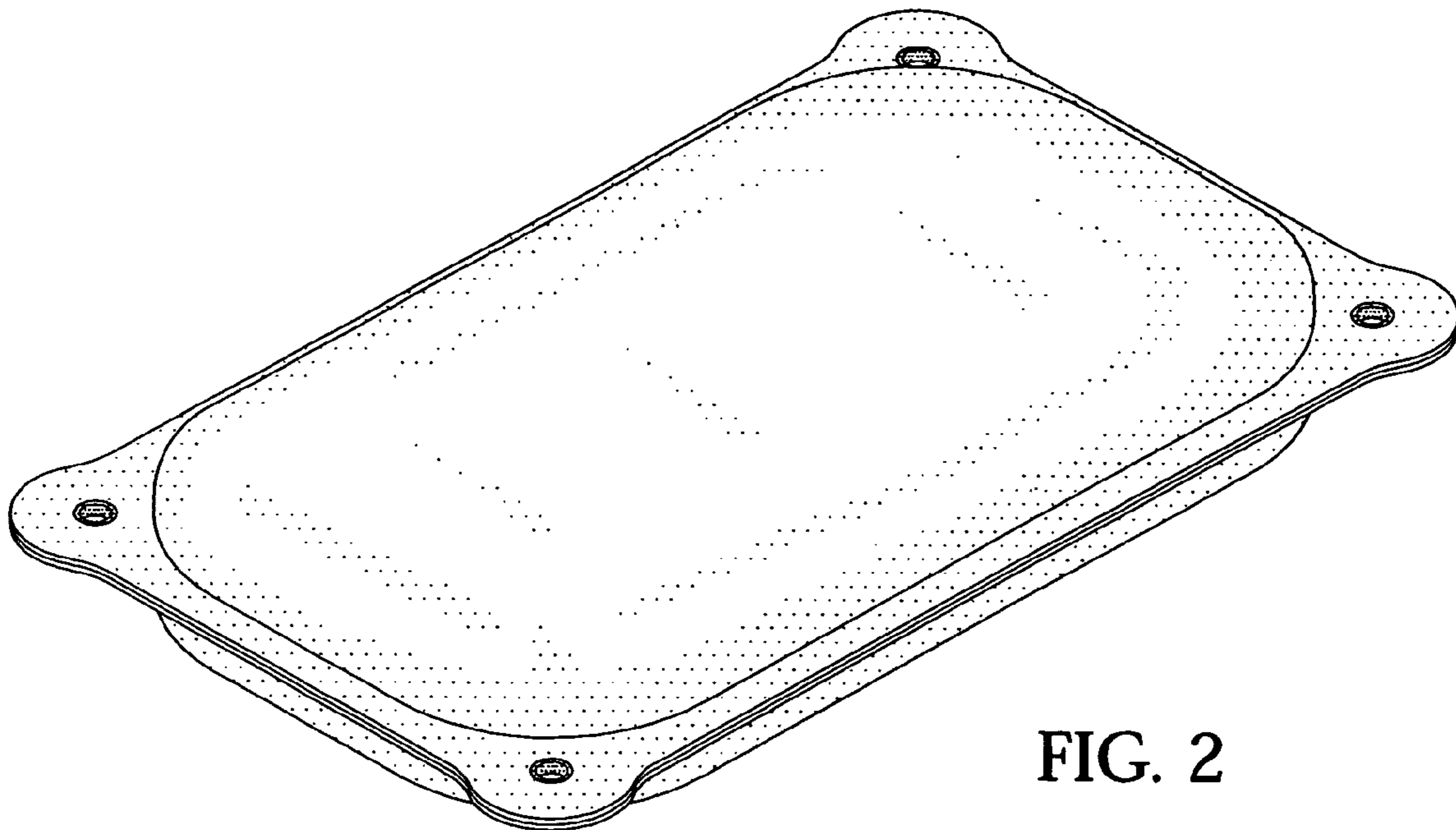


FIG. 2

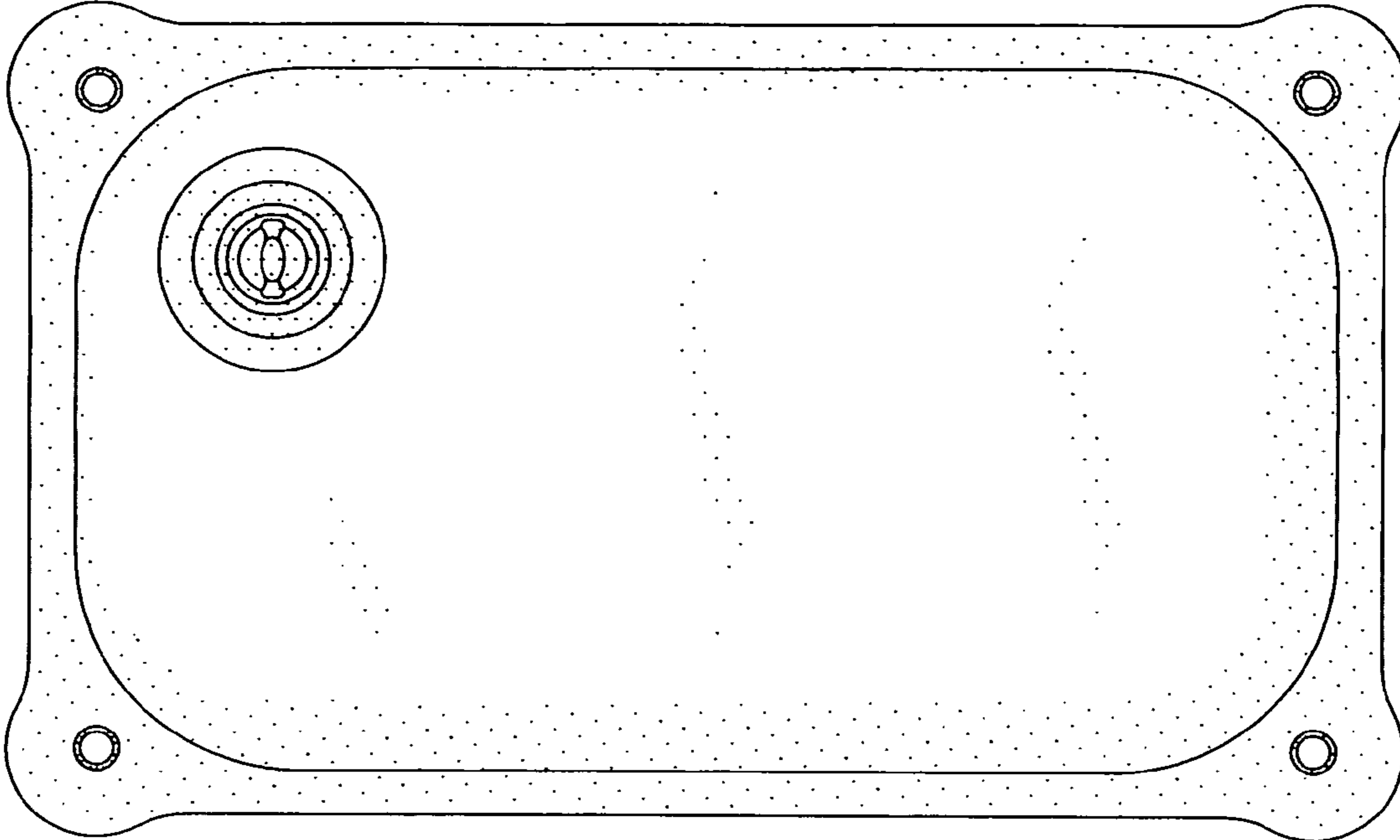


FIG. 3

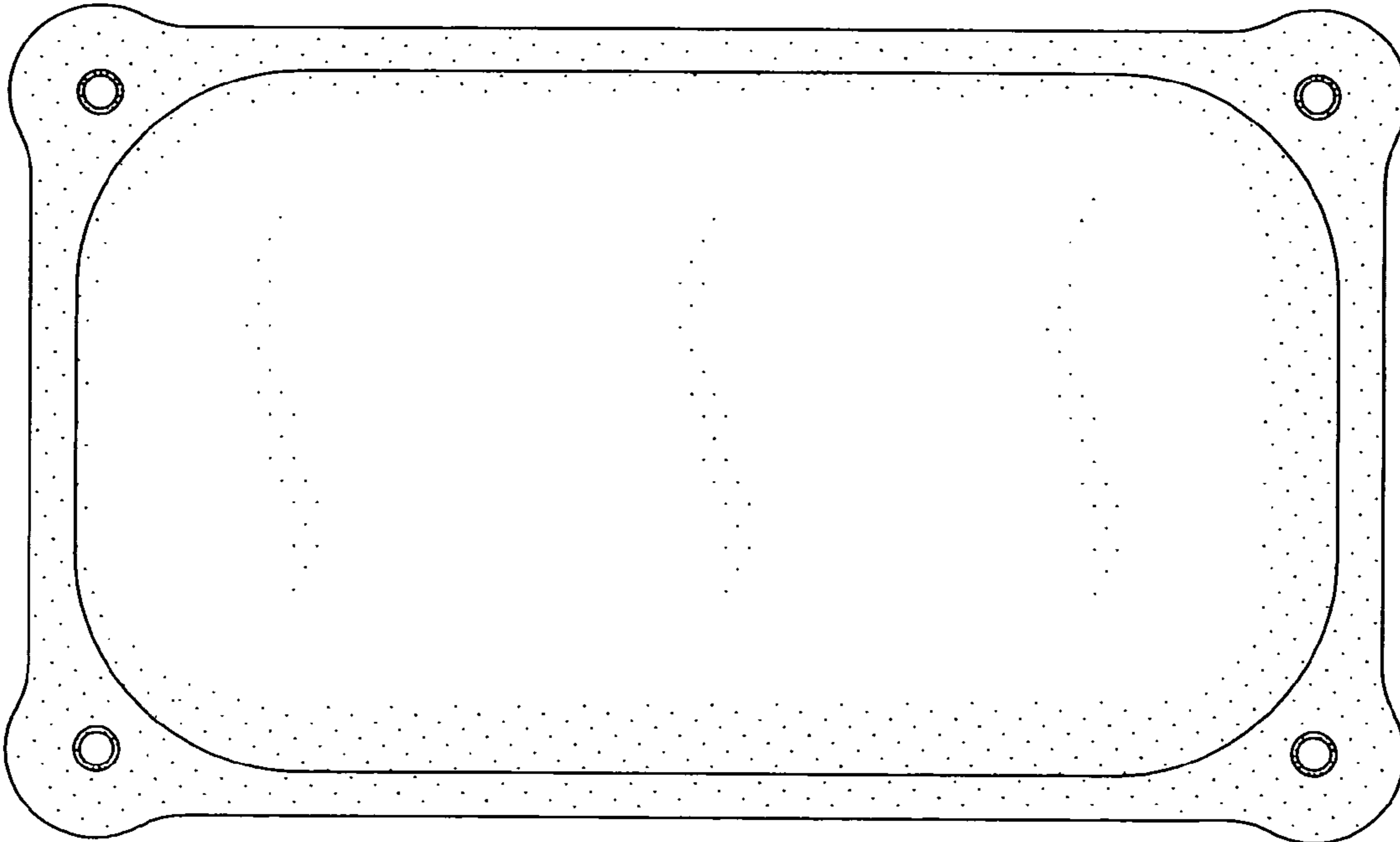


FIG. 4

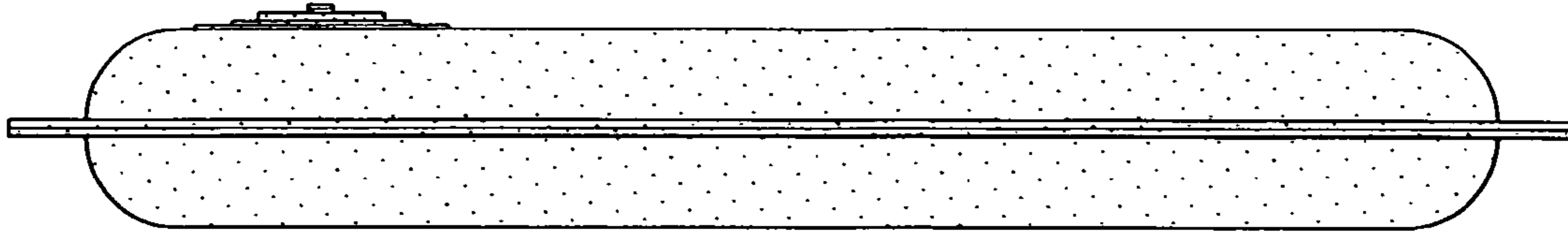


FIG. 5

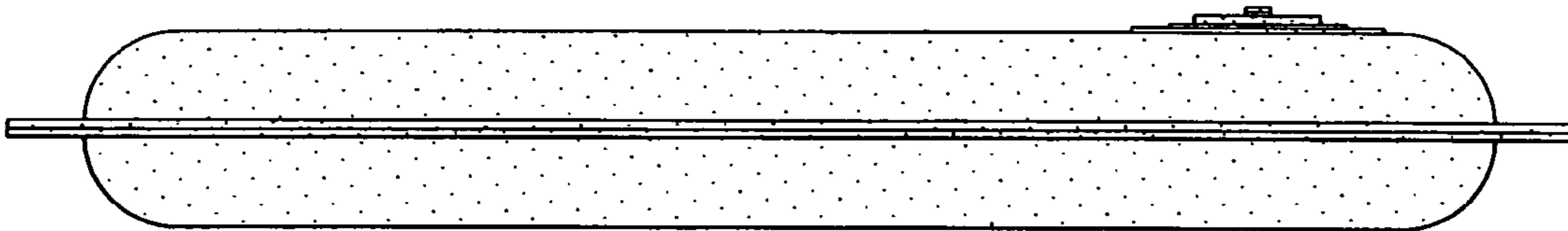


FIG. 6

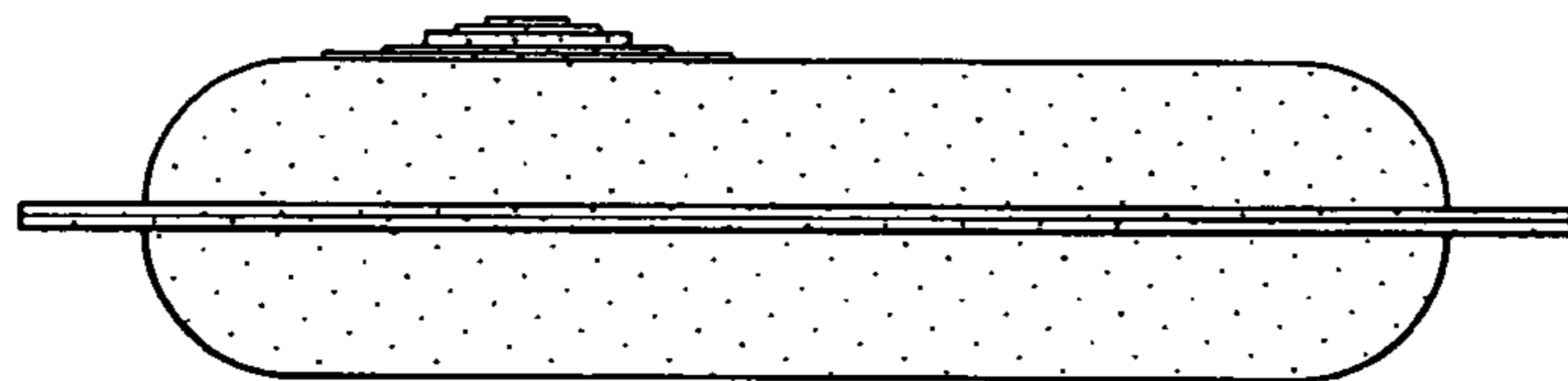


FIG. 7

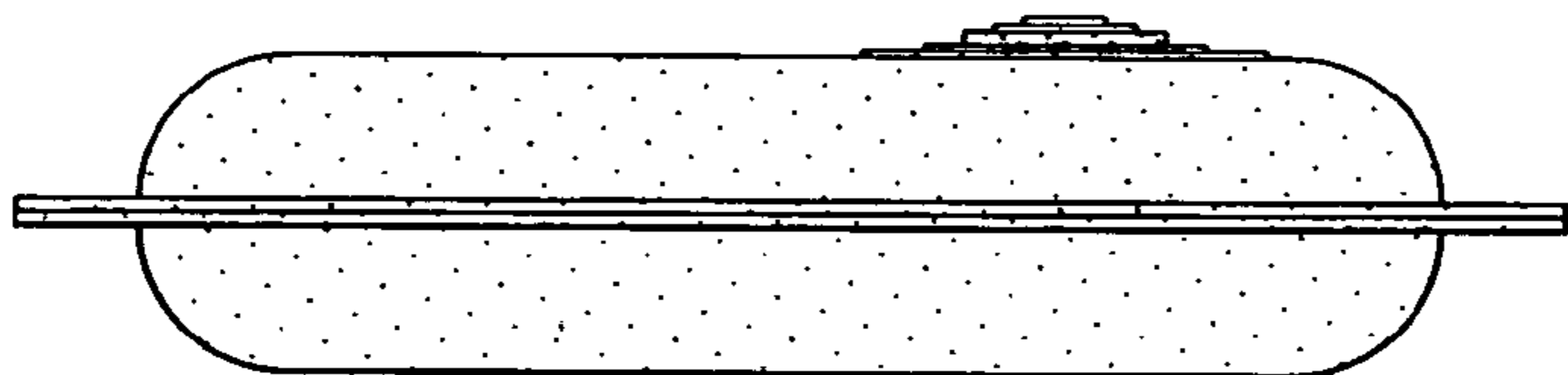


FIG. 8