



US00D576084S

(12) **United States Design Patent**
Dotsey et al.

(10) **Patent No.:** **US D576,084 S**
(45) **Date of Patent:** **** Sep. 2, 2008**

(54) **STROLLER FRAME**

2006/0001226 A1 1/2006 Refsum

(75) Inventors: **Michael A. Dotsey**, Pottstown, PA (US);
Patrick Nolan, Royersford, PA (US)

FOREIGN PATENT DOCUMENTS

(73) Assignee: **Graco Children's Products Inc.**, Exton,
PA (US)

DE	203 20 209	3/2004
DE	203 20 208	4/2004
FR	2 837 160	9/2003
FR	2 856 970	2/2005
JP	2003165442	6/2003
WO	WO 03/035448	5/2003

(**) Term: **14 Years**

OTHER PUBLICATIONS

(21) Appl. No.: **29/278,611**

Britax Preview Lightweight Umbrella Travel System (Jun. 2004).

(22) Filed: **Apr. 3, 2007**

* cited by examiner

(51) **LOC (8) Cl.** **12-12**

Primary Examiner—Charles A. Rademaker

(52) **U.S. Cl.** **D12/129; D34/15**

Assistant Examiner—Charles D Hanson

(58) **Field of Classification Search** D12/128-133;
280/62, 647-650, 29, 200, 47.38, 250.1,
280/259, 642, 658; 297/DIG. 4; 296/65.03,
296/65.04; 224/409; 135/65-67, 74; 180/208;
267/5

(74) *Attorney, Agent, or Firm*—Lempia Braidwood LLC

See application file for complete search history.

(57) **CLAIM**

The ornamental design for a stroller frame, as shown and described.

(56) **References Cited**

DESCRIPTION

U.S. PATENT DOCUMENTS

FIG. 1 is a perspective view of a stroller frame showing my new design;

D369,992 S *	5/1996	Baechler	D12/129
5,709,400 A	1/1998	Bonnier et al.		
6,099,022 A	8/2000	Pring		
6,193,263 B1	2/2001	Lin		
6,203,054 B1	3/2001	Matsumoto		
6,209,892 B1	4/2001	Schaaf et al.		
D444,738 S *	7/2001	Lan	D12/129
6,398,233 B1	6/2002	Liang et al.		
6,446,990 B1	9/2002	Nania et al.		
D506,417 S *	6/2005	Liao	D12/129
D510,716 S *	10/2005	Refsum et al.	D12/129
7,032,922 B1 *	4/2006	Lan	280/648
D529,844 S *	10/2006	Chen et al.	D12/129
D558,099 S *	12/2007	Yang	D12/129

FIG. 2 is a right side view thereof;

FIG. 3 is a left side view thereof;

FIG. 4 is a front view thereof;

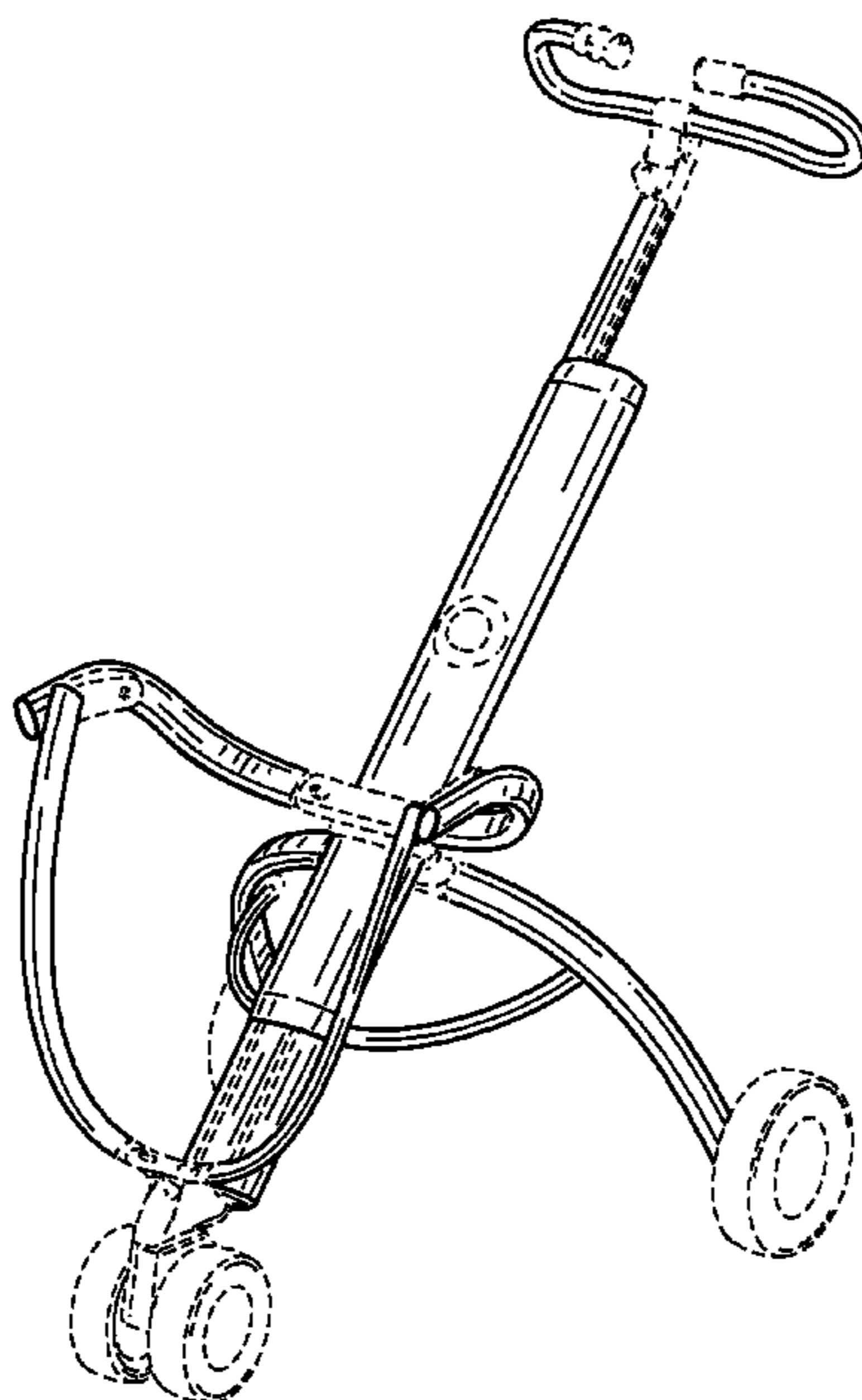
FIG. 5 is a rear view thereof;

FIG. 6 is a top view thereof; and,

FIG. 7 is a bottom view thereof.

The broken line showing of some parts and the stroller seat is included for the purpose of illustrating environment and forms no part of the claimed design.

1 Claim, 7 Drawing Sheets



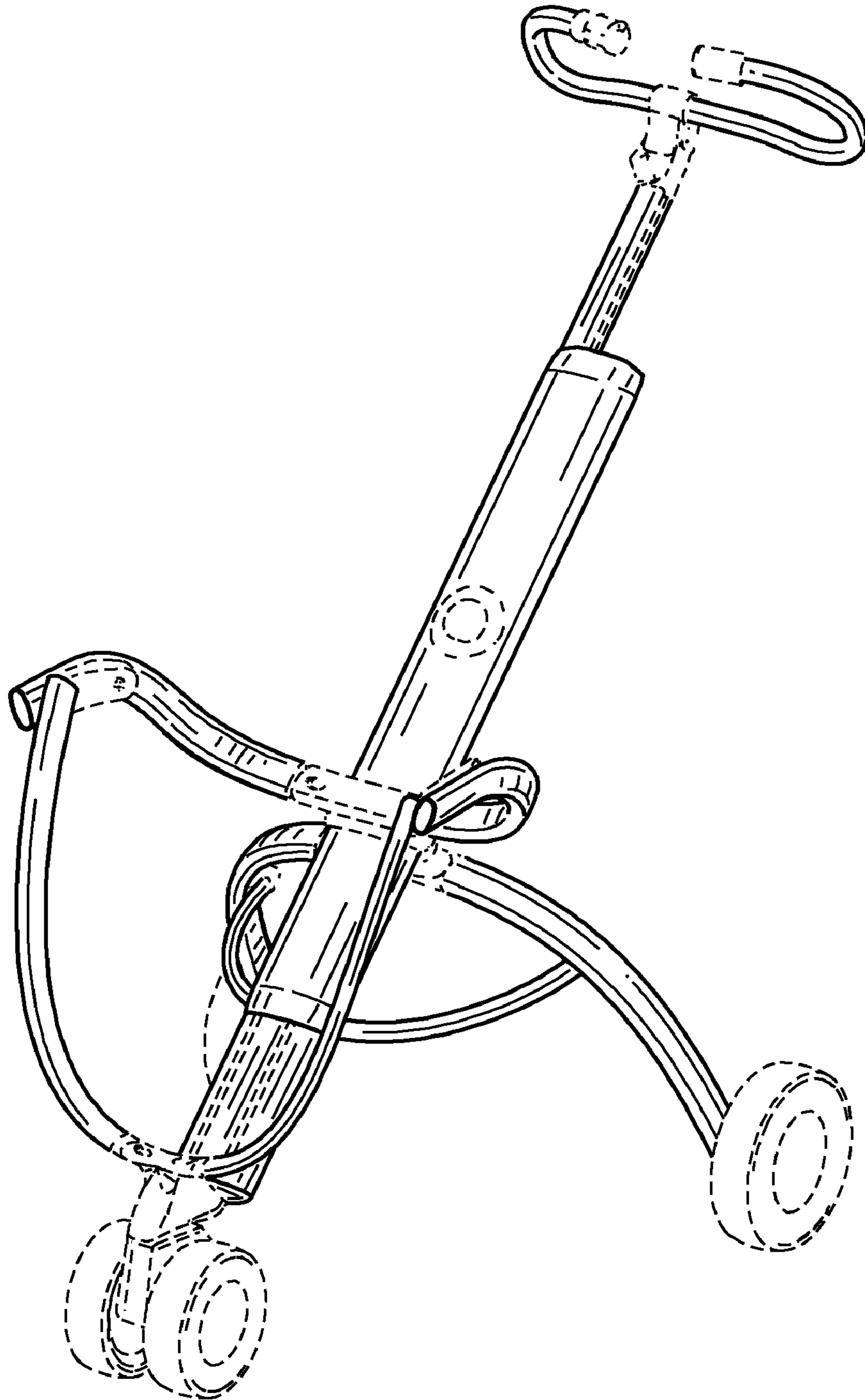


FIG. 1

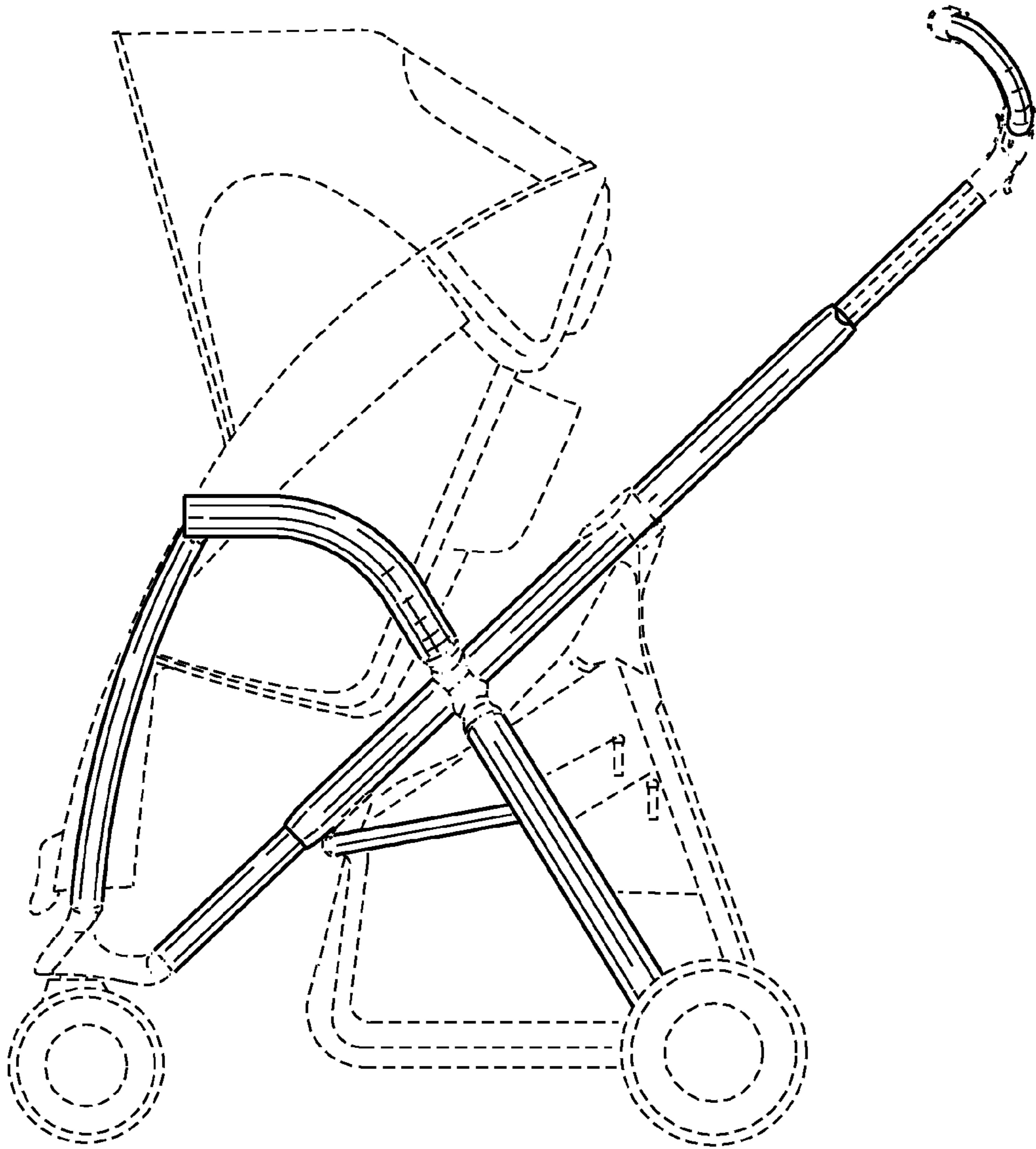


FIG. 2

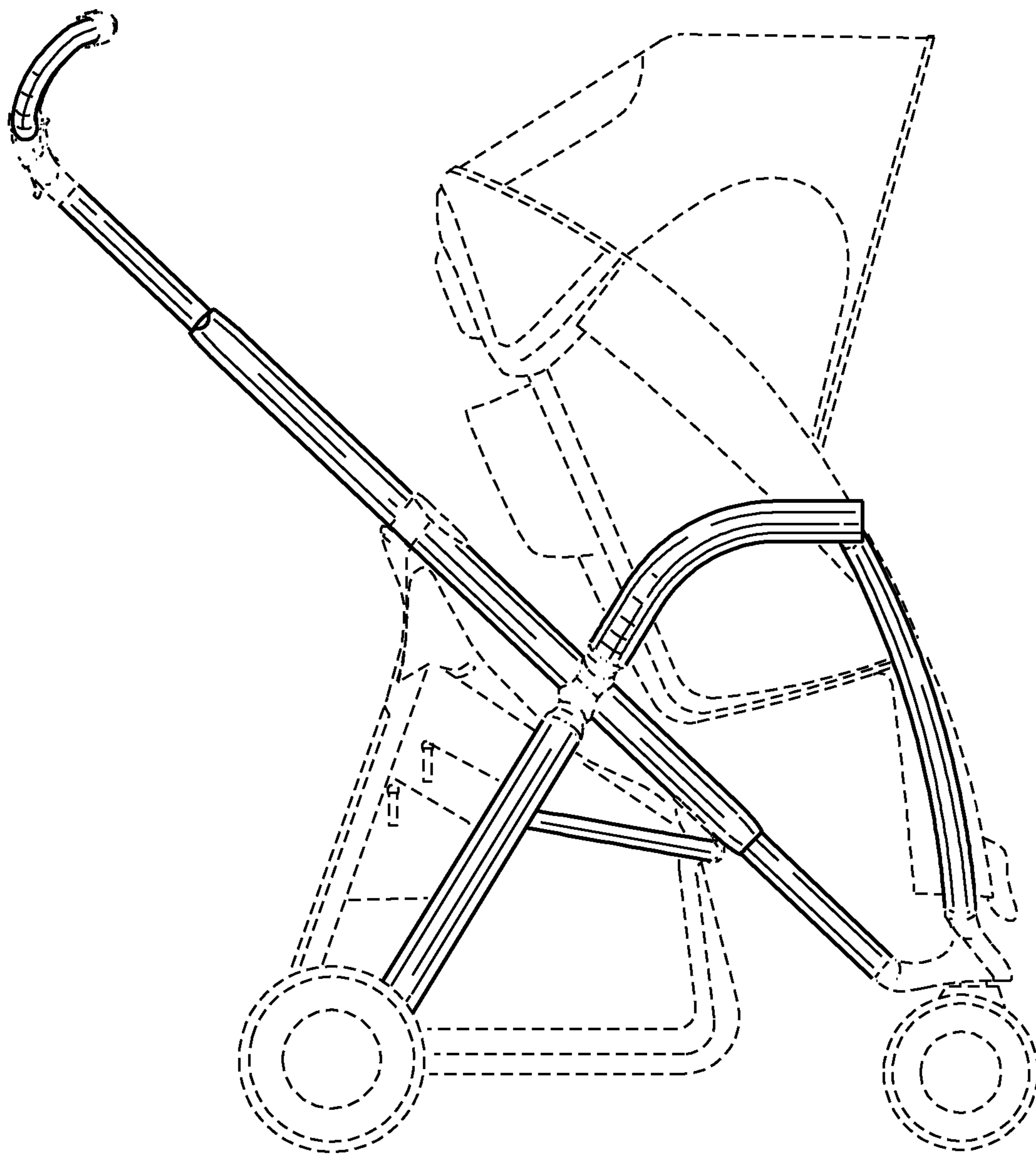


FIG. 3

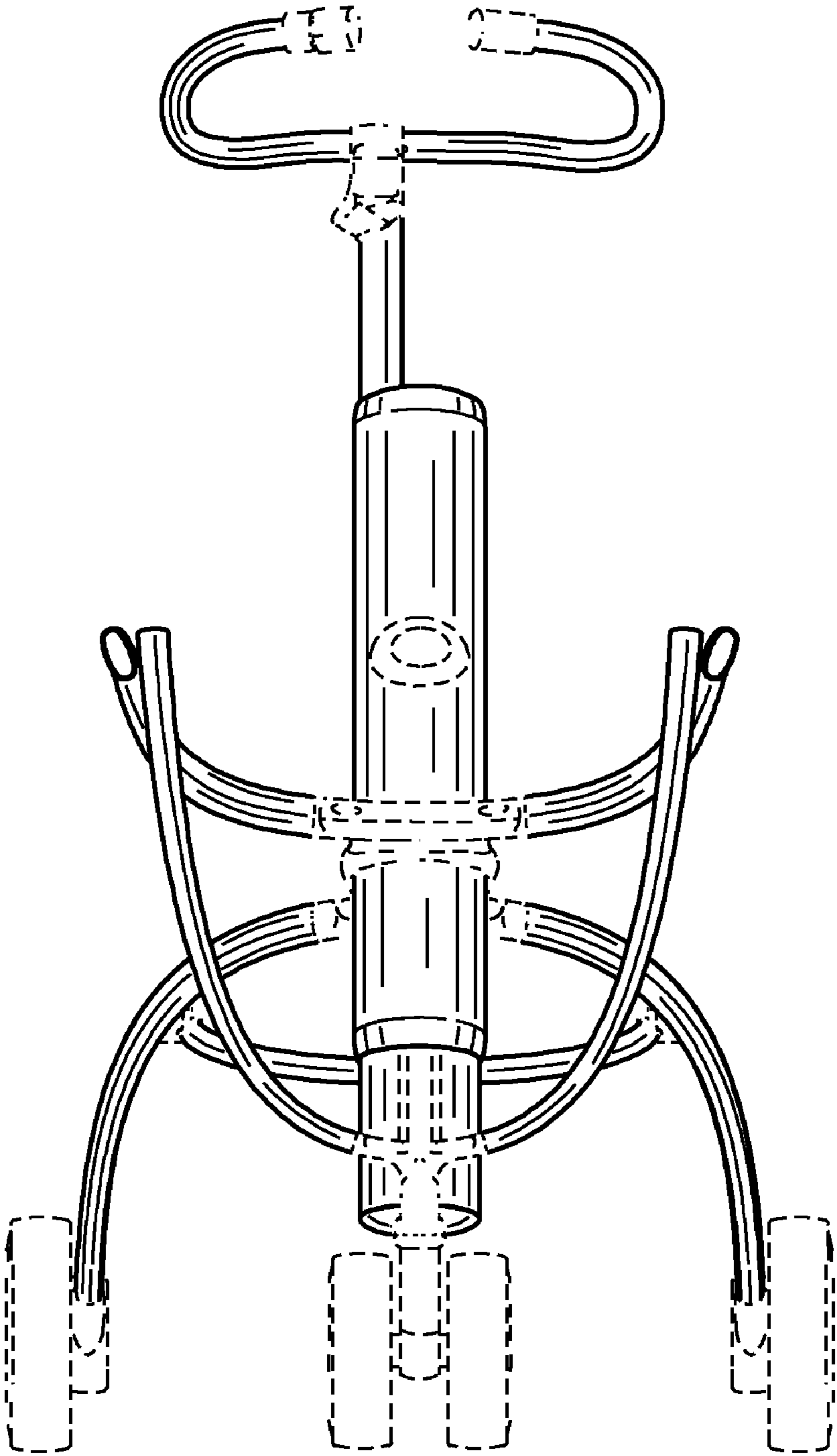


FIG. 4

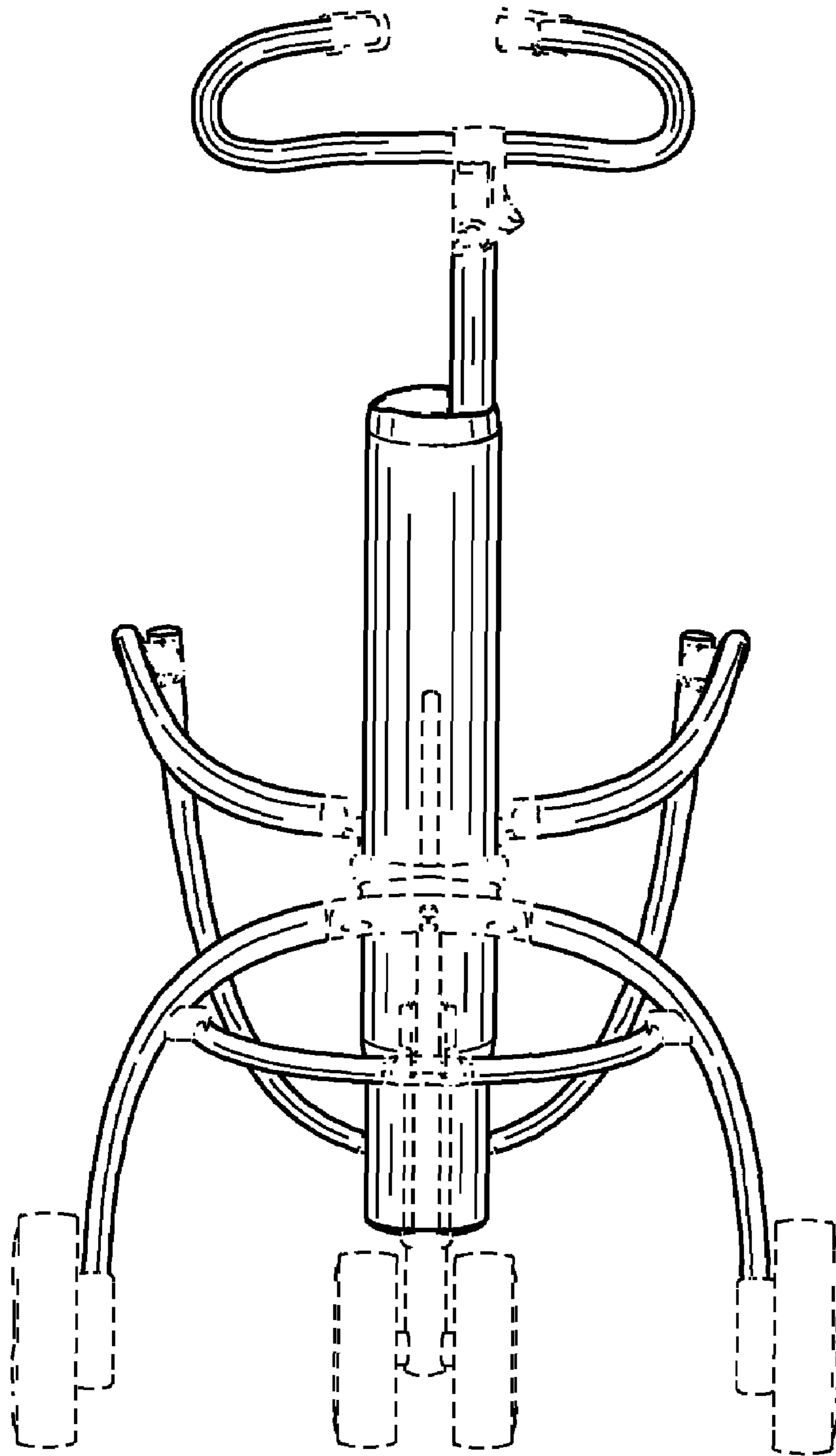


FIG. 5

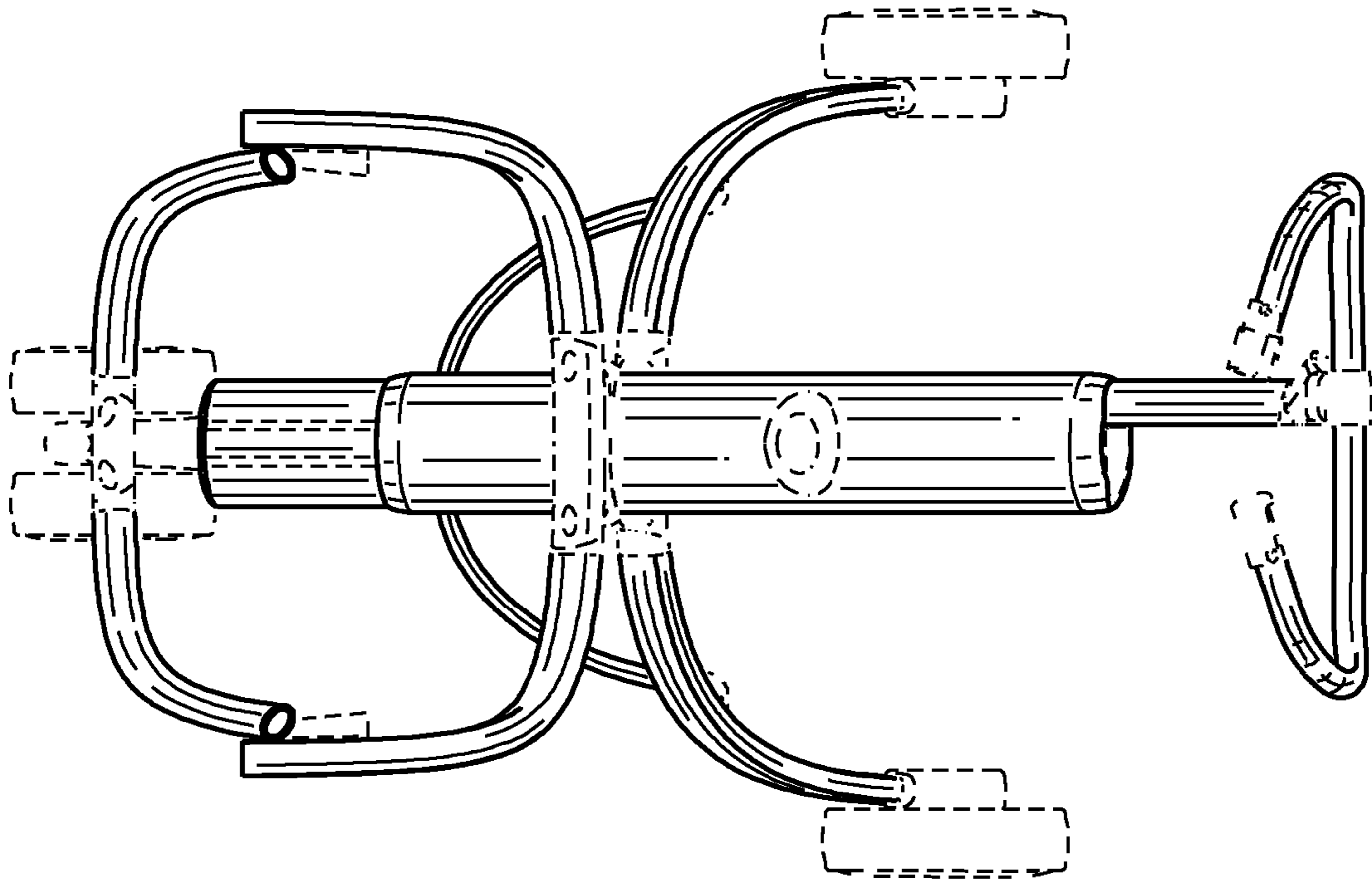


FIG. 6

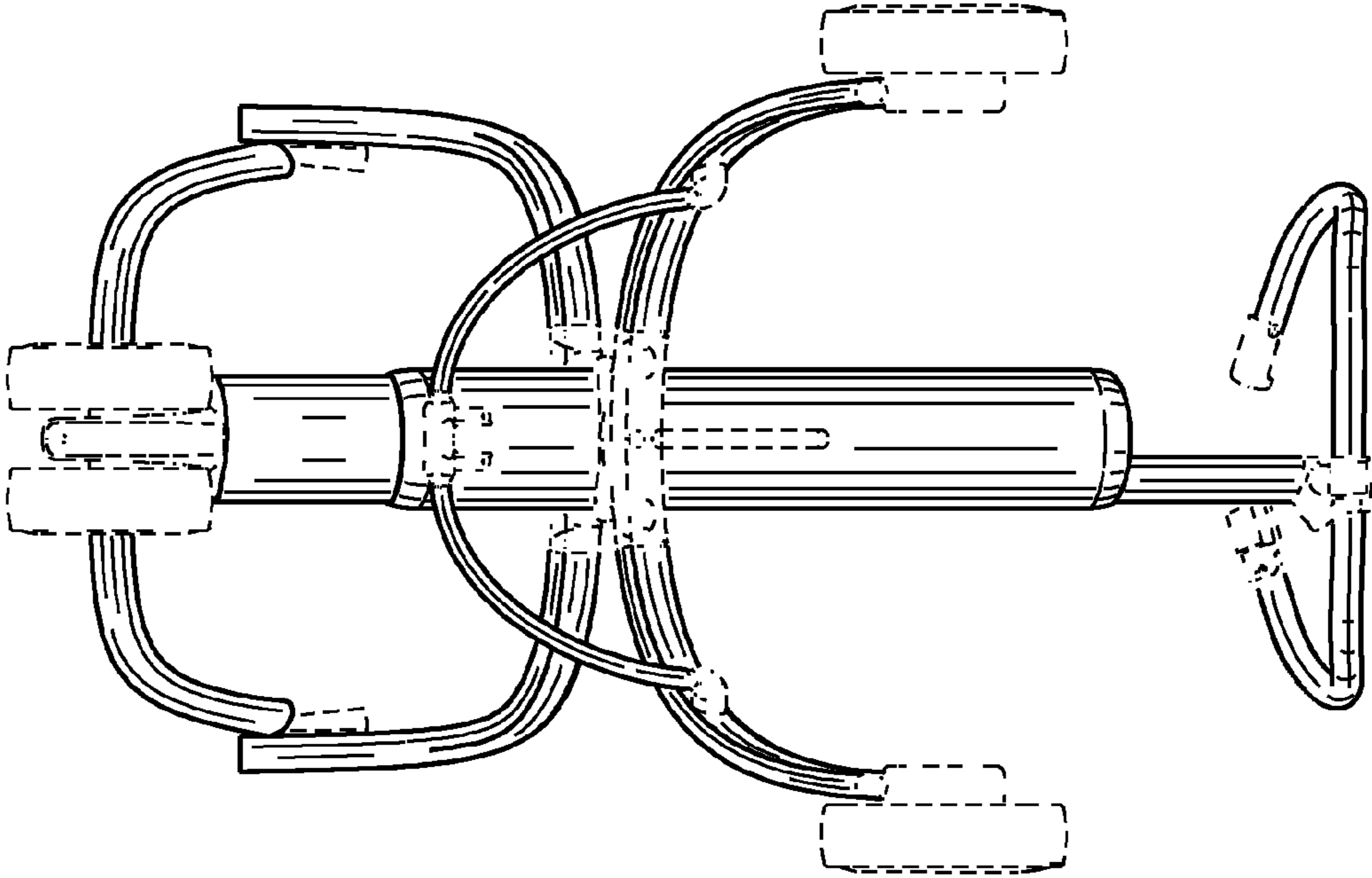


FIG. 7