



US00D576083S

(12) **United States Design Patent**
Liao

(10) **Patent No.:** **US D576,083 S**
(45) **Date of Patent:** **** Sep. 2, 2008**

(54) **BABY STROLLER**

(75) Inventor: **Gordon Liao**, Yung Kang (TW)

(73) Assignee: **Unique Product & Design Co., Ltd.**,
Yung Kang (TW)

(**) Term: **14 Years**

(21) Appl. No.: **29/277,703**

(22) Filed: **Mar. 7, 2007**

(51) **LOC (8) Cl.** **12-12**

(52) **U.S. Cl.** **D12/129; D12/112**

(58) **Field of Classification Search** D12/128-133;
280/62, 647-650, 29, 200, 47.38, 250.1,
280/259, 642, 658; 297/DIG. 4; 296/65.03,
296/65.04; 224/409; 135/65-67, 74; 180/208;
267/5

See application file for complete search history.

(56) **References Cited**

U.S. PATENT DOCUMENTS

D369,992 S *	5/1996	Baechler	D12/129
D444,738 S *	7/2001	Lan	D12/129
D506,417 S *	6/2005	Liao	D12/129
D510,716 S *	10/2005	Refsum et al.	D12/129

7,032,922 B1 *	4/2006	Lan	280/648
D529,844 S *	10/2006	Chen et al.	D12/129
D558,099 S *	12/2007	Yang	D12/129

* cited by examiner

Primary Examiner—Charles A Rademaker

Assistant Examiner—Charles Hanson

(74) *Attorney, Agent, or Firm*—C. G. Mersereau; Nikolai & Mersereau, P.A.

(57) **CLAIM**

The ornamental design for a baby stroller, as shown and described.

DESCRIPTION

FIG. 1 is a perspective view of a baby stroller showing my new design;

FIG. 2 is a front elevational view thereof;

FIG. 3 is a rear elevational view thereof;

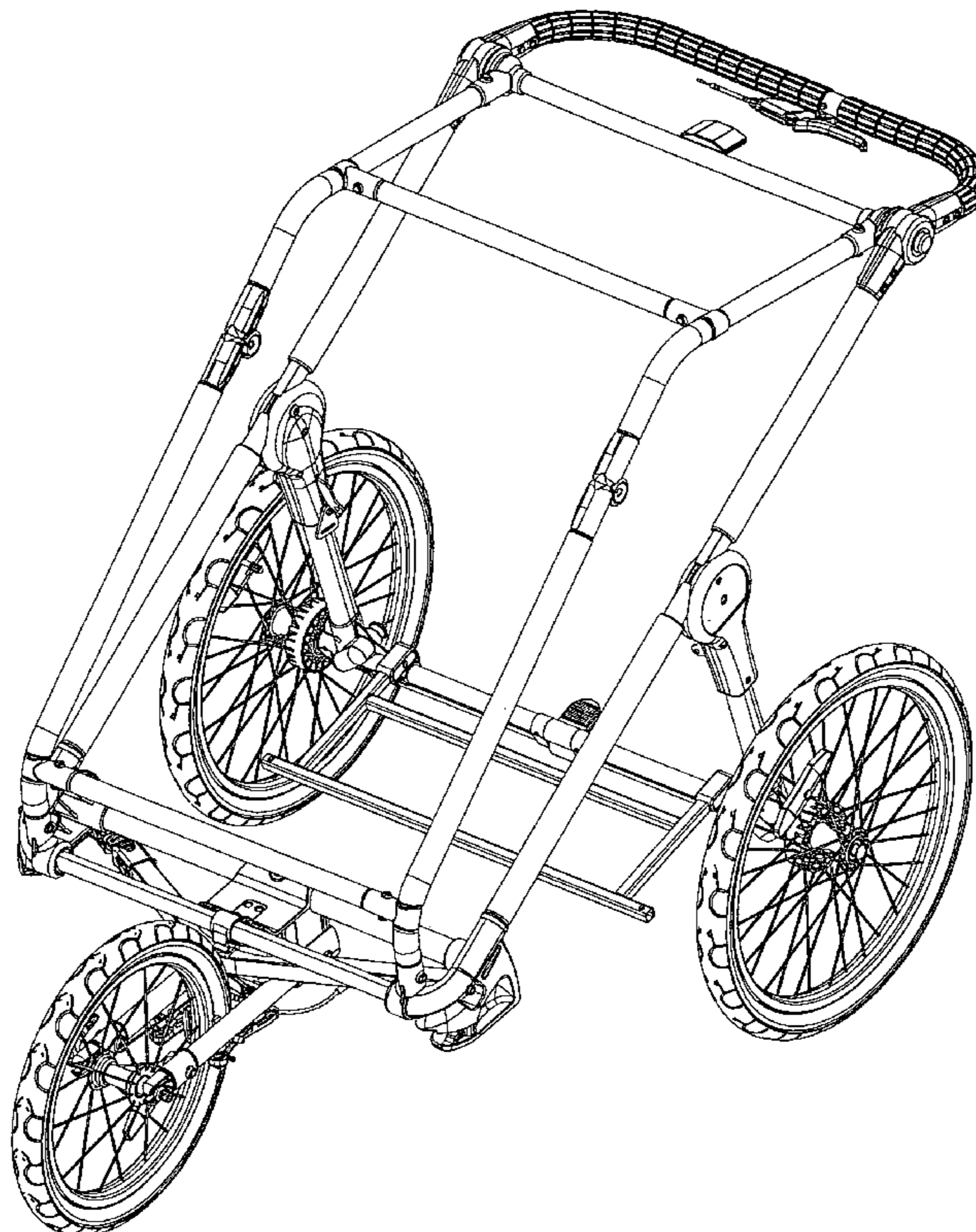
FIG. 4 is a left side elevational view thereof;

FIG. 5 is a right side elevational view thereof;

FIG. 6 is a top plan view thereof; and,

FIG. 7 is a bottom plan view thereof.

1 Claim, 7 Drawing Sheets



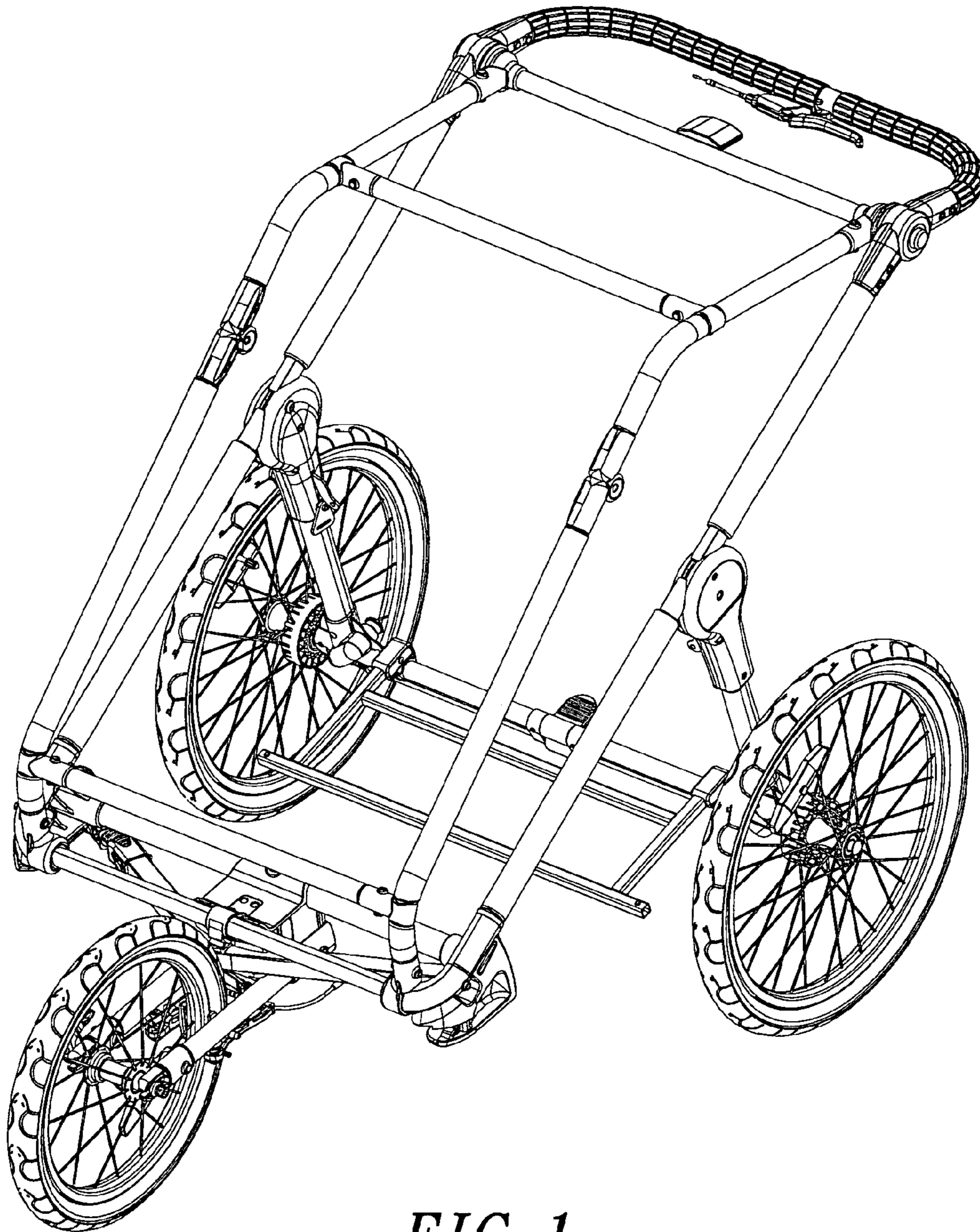


FIG. 1

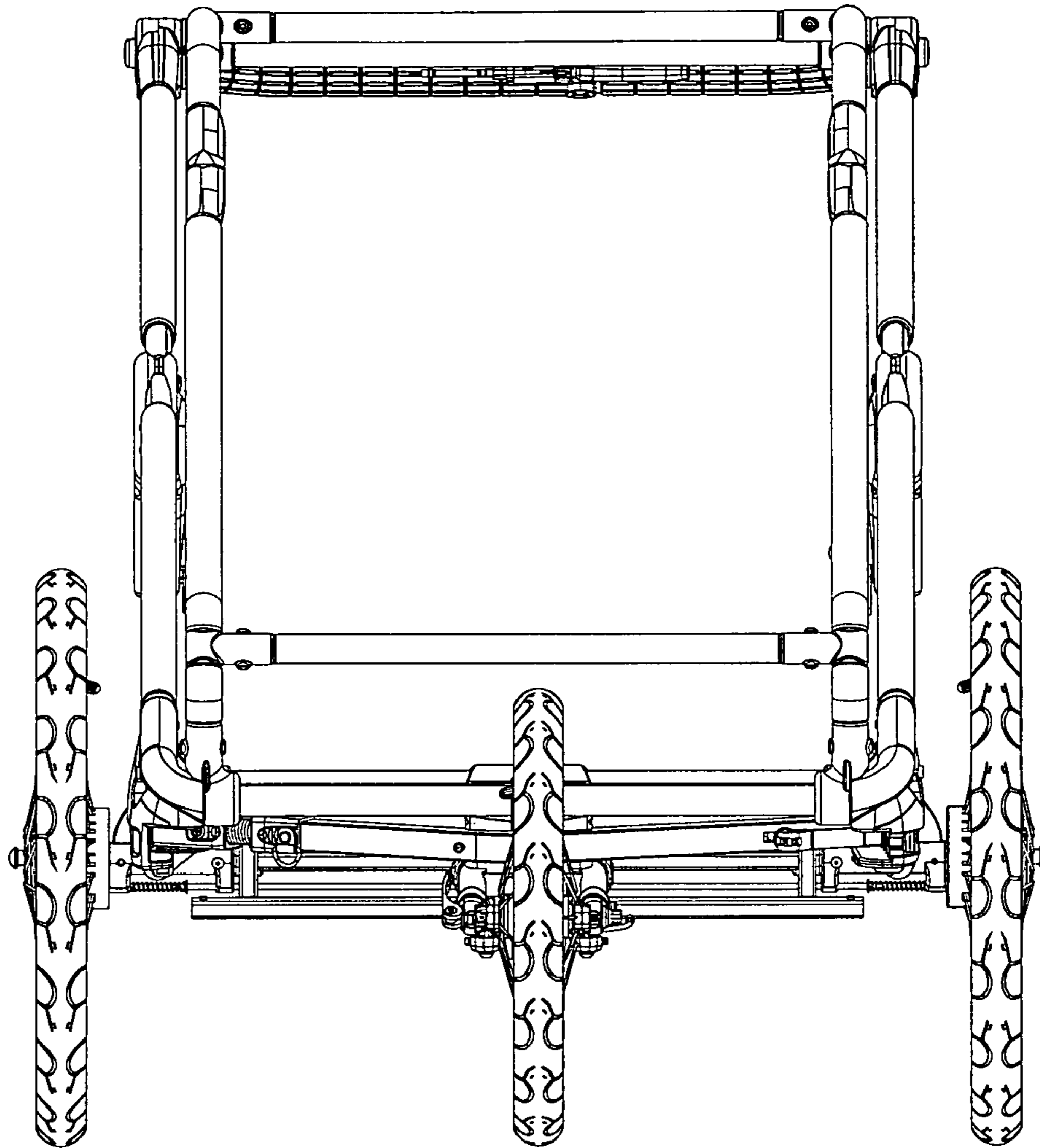


FIG. 2

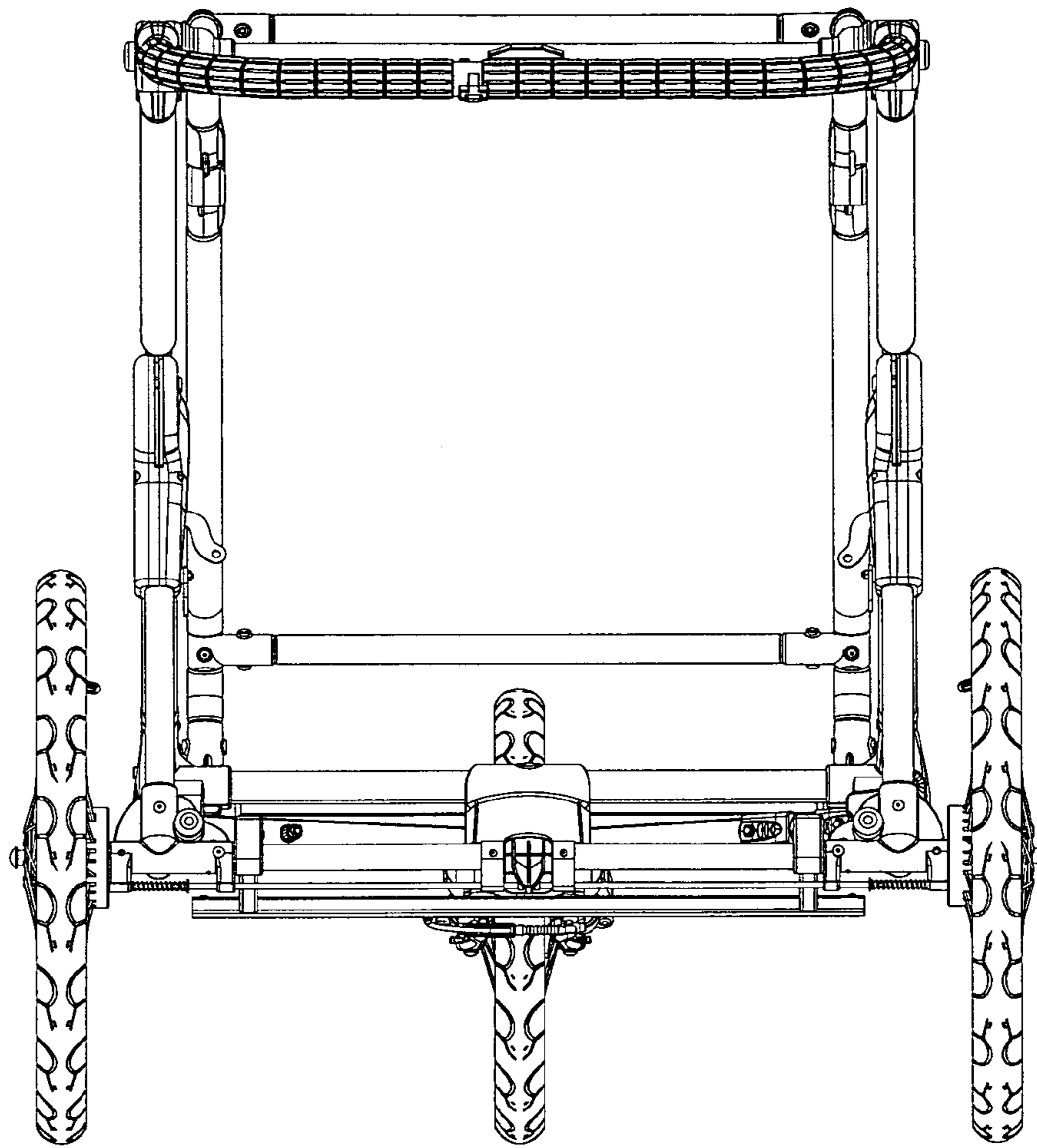


FIG. 3

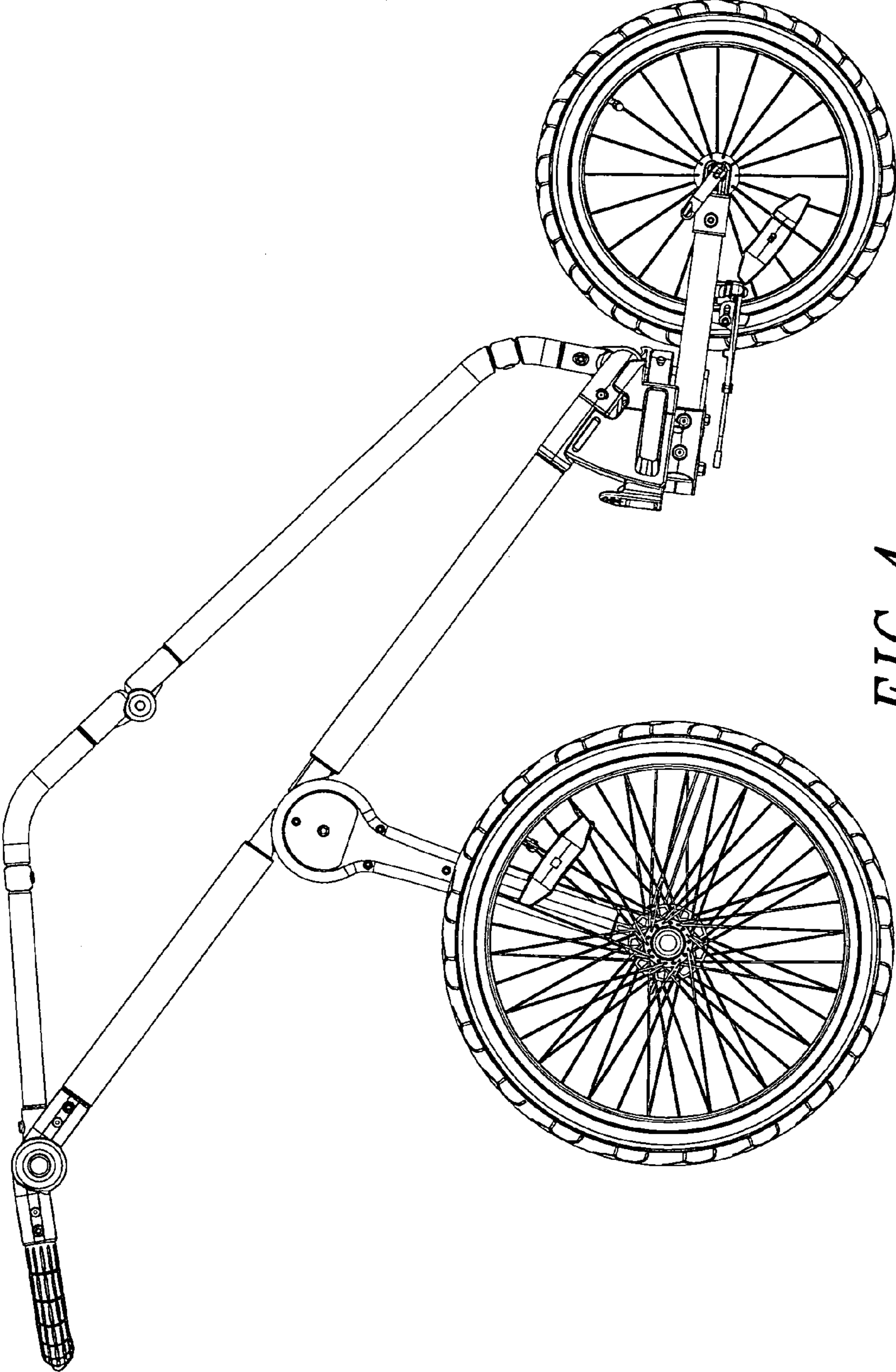


FIG. 4

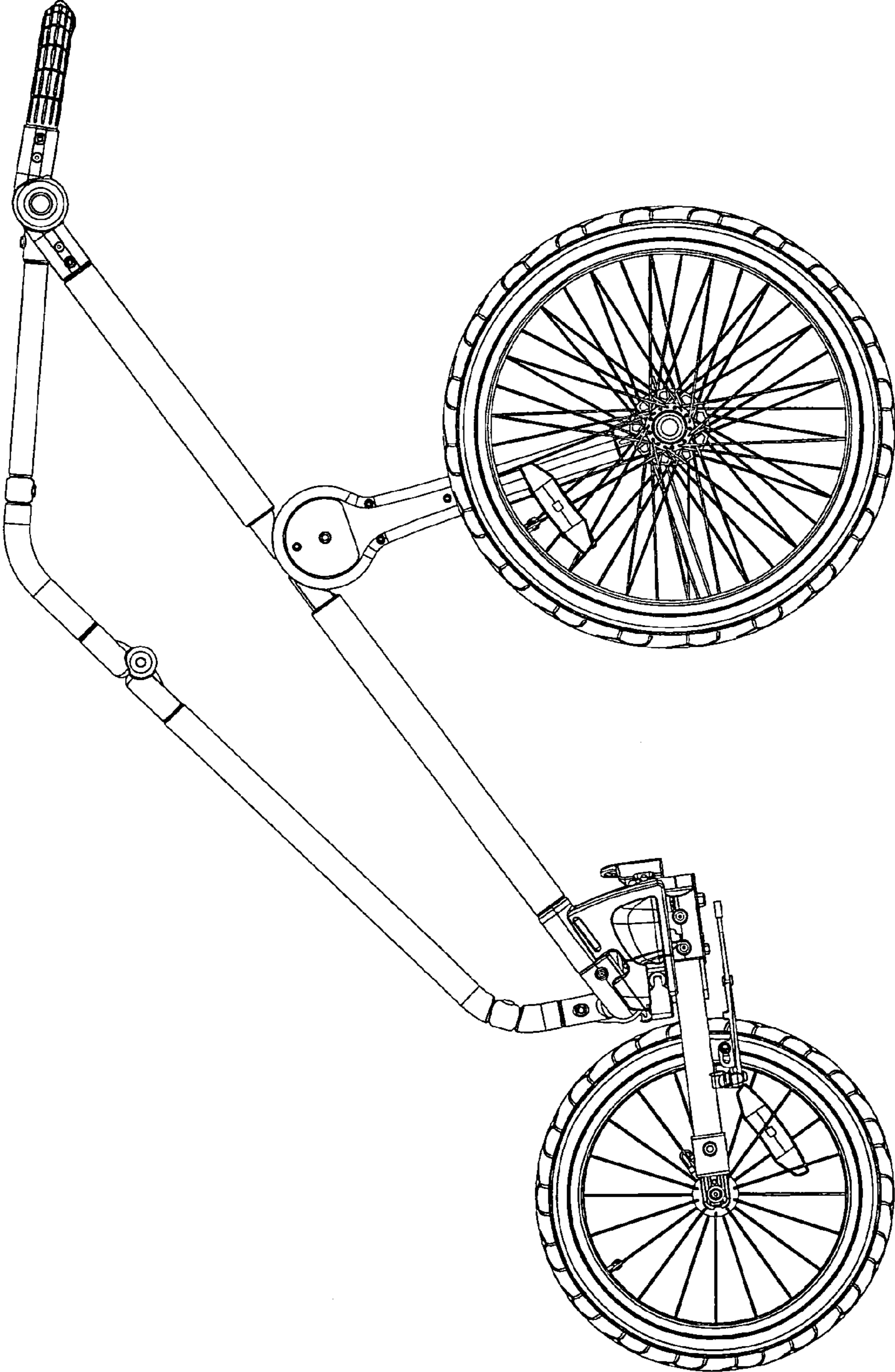


FIG. 5

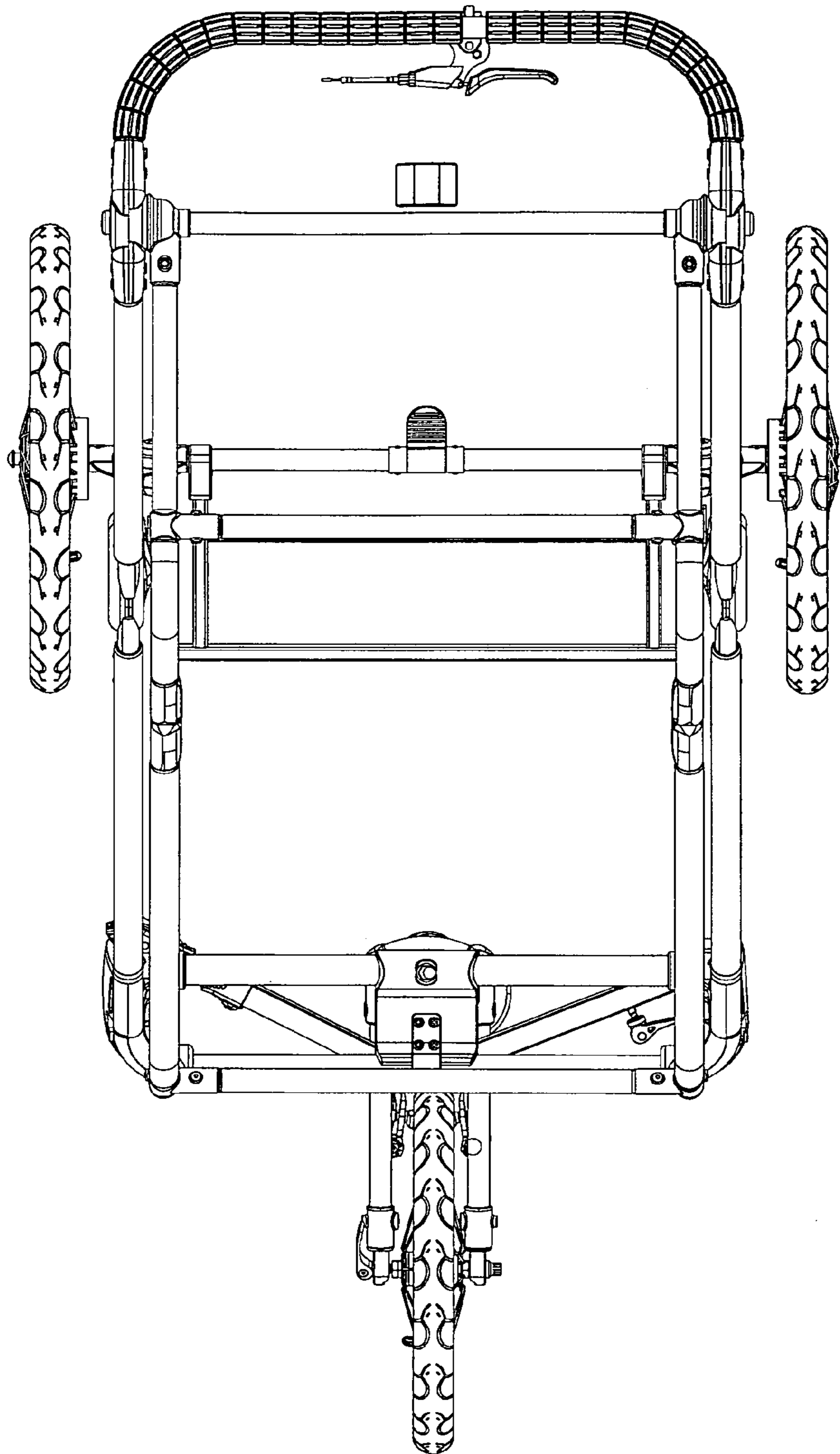


FIG. 6

