



US00D576082S

(12) **United States Design Patent**
de Reuver

(10) **Patent No.:** **US D576,082 S**

(45) **Date of Patent:** **** Sep. 2, 2008**

(54) **STROLLER**

D519,422 S * 4/2006 Huang D12/129

7,021,651 B2 * 4/2006 Lan 280/642

7,032,922 B1 * 4/2006 Lan 280/648

(75) Inventor: **Rik de Reuver**, Nuenen (NL)

(73) Assignee: **Cosco Management, Inc.**, Wilmington, DE (US)

* cited by examiner

(**) Term: **14 Years**

Primary Examiner—Charles A. Rademaker

Assistant Examiner—Charles D Hanson

(21) Appl. No.: **29/257,937**

(74) *Attorney, Agent, or Firm*—Barnes & Thornburg LLP

(22) Filed: **Apr. 11, 2006**

(57) **CLAIM**

(30) **Foreign Application Priority Data**

The ornamental design for a stroller, as shown and described.

Oct. 11, 2005 (EM) 000414875-0001

DESCRIPTION

(51) **LOC (8) Cl.** **12-12**

(52) **U.S. Cl.** **D12/129**

(58) **Field of Classification Search** D12/128–133,
D12/16, 85; 267/5; 135/65–67, 74, 912;
280/62, 647–650, 29, 200, 47.38, 250.1,
280/259, 642, 658; 297/DIG. 4; 296/65.03,
296/65.04; 224/409; D6/364; D34/15; 180/6.5,
180/65.1, 65.6, 65.8, 208, 907, 906

FIG. 1 is a front elevation view showing my new design;

FIG. 2 is a front elevation view with tilted front wheels thereof;

FIG. 3 is a left side elevation view thereof;

FIG. 4 is a left side elevation view with the seat in a second position;

FIG. 5 is a rear elevation view of the design shown in FIG. 1;

FIG. 6 is a front perspective view thereof; and,

FIG. 7 is a rear perspective view thereof.

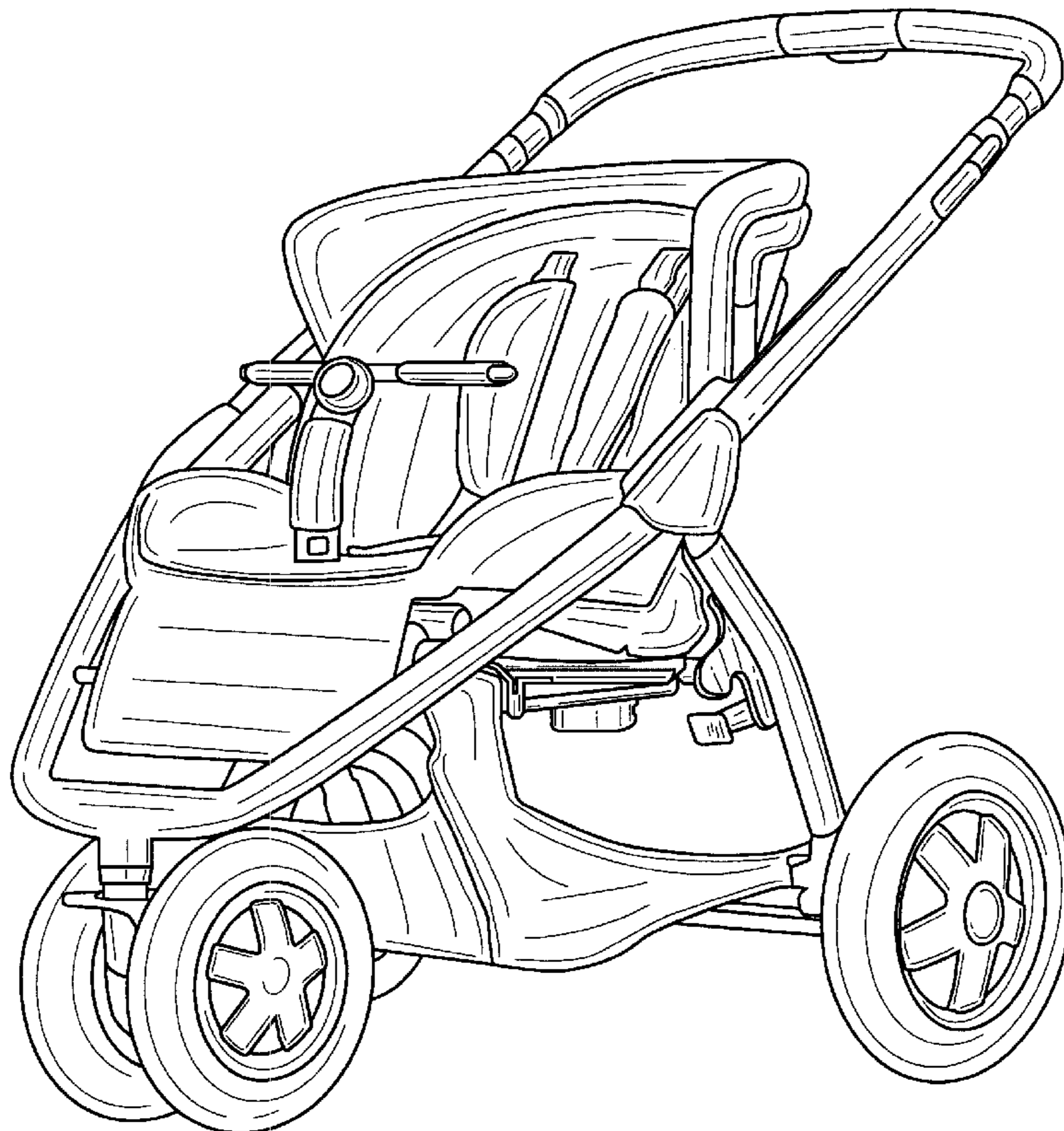
See application file for complete search history.

(56) **References Cited**

U.S. PATENT DOCUMENTS

6,302,613 B1 * 10/2001 Lan 403/102

1 Claim, 7 Drawing Sheets



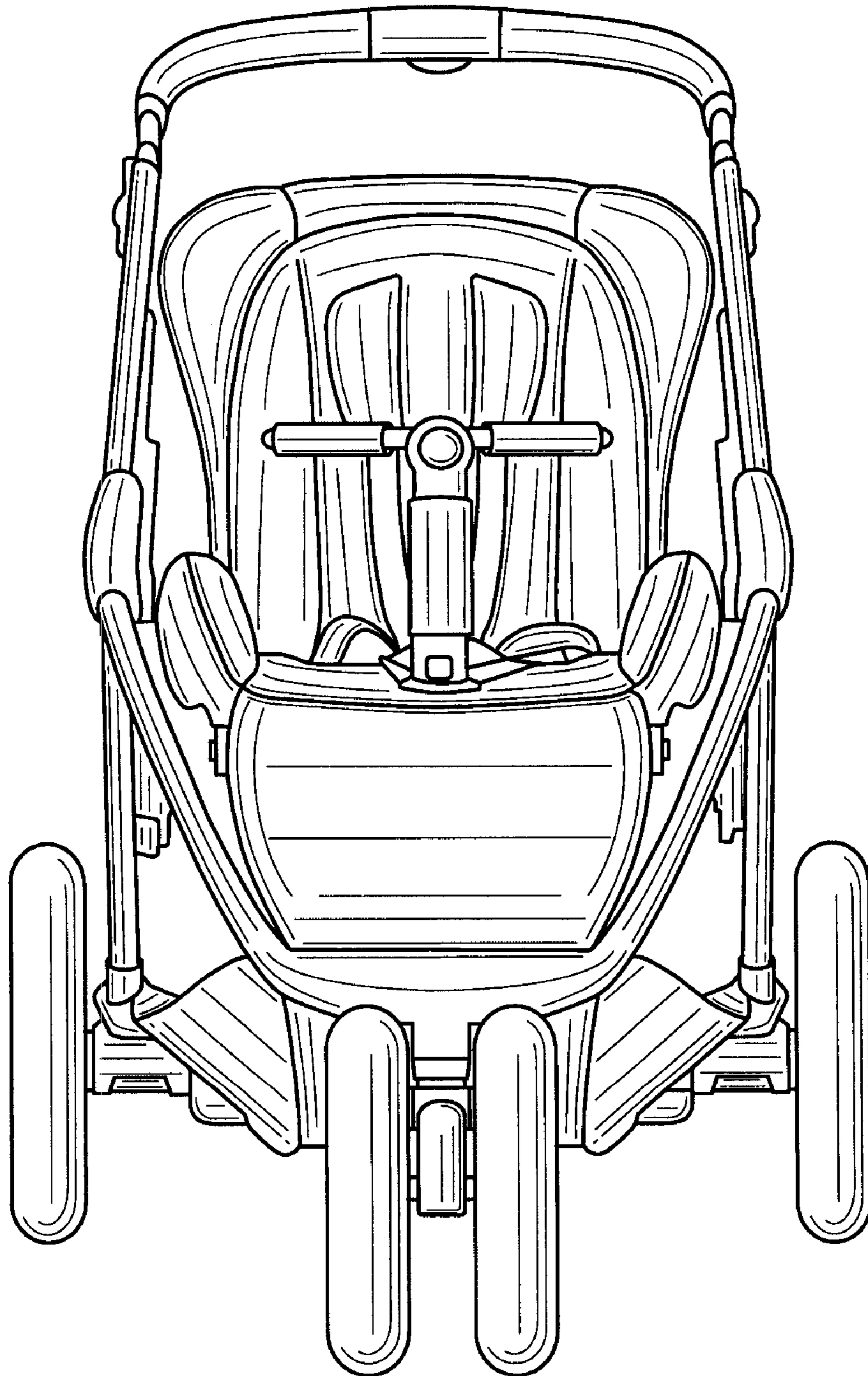


FIG. 1

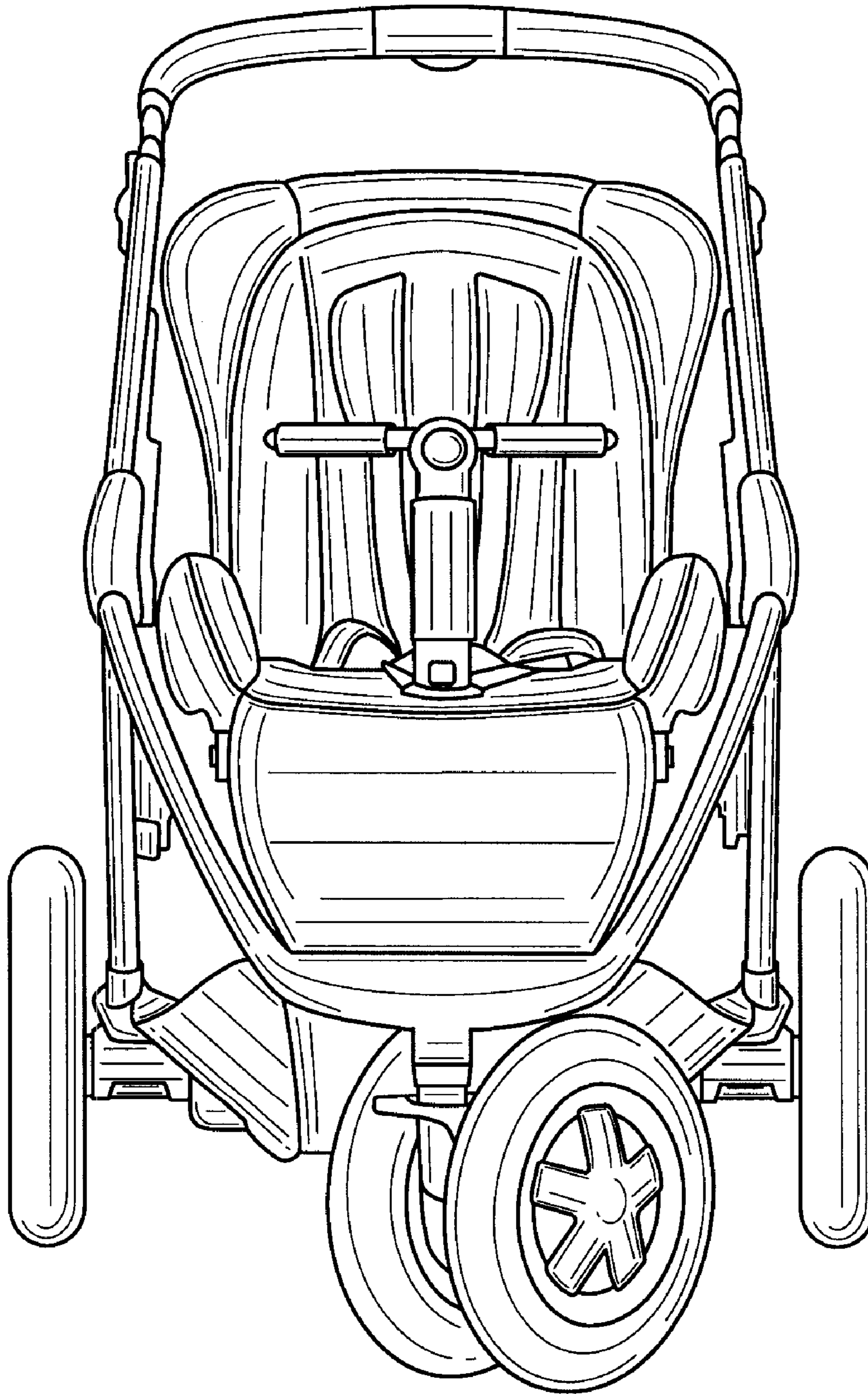


FIG. 2

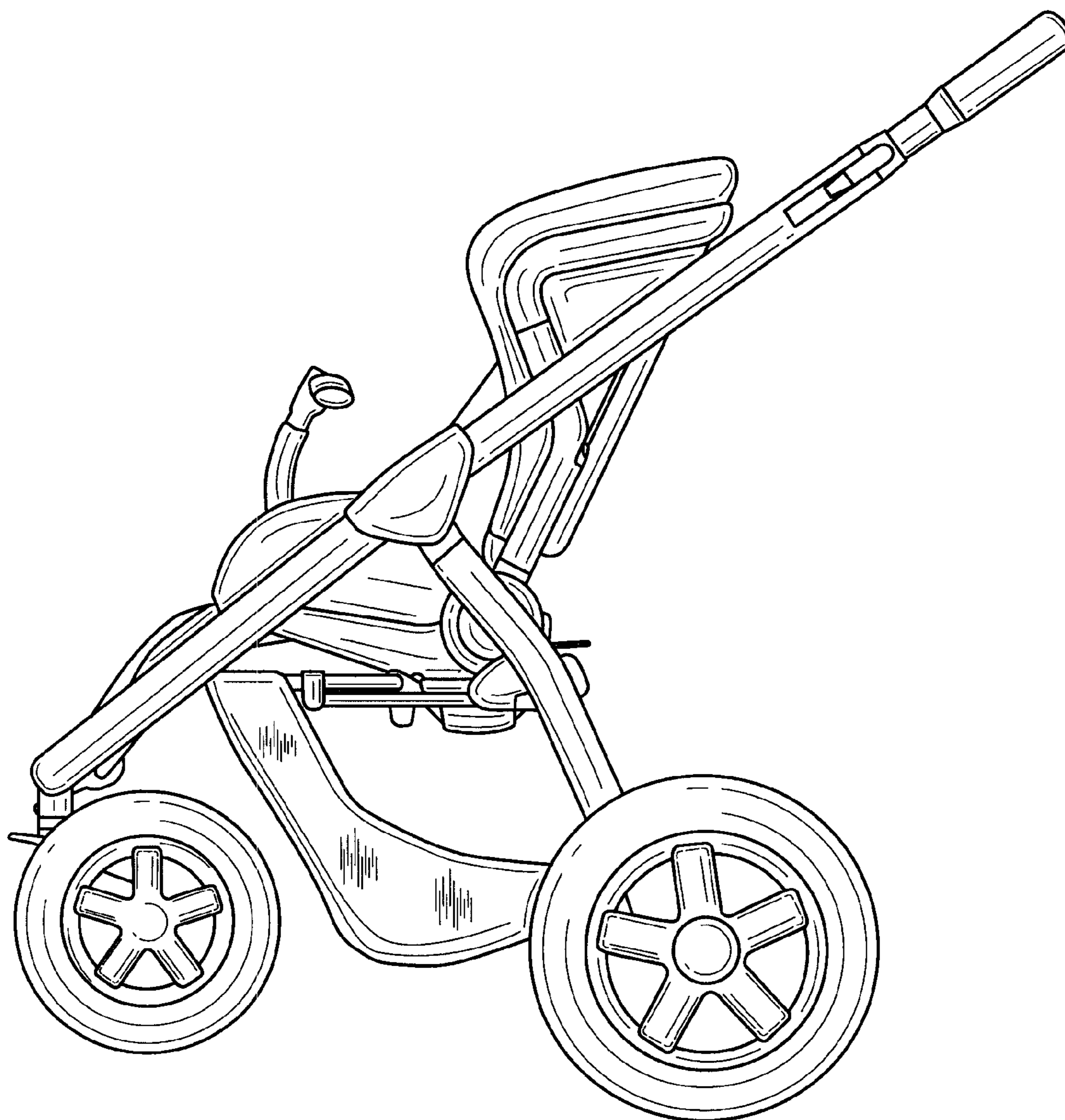


FIG. 3



FIG. 4

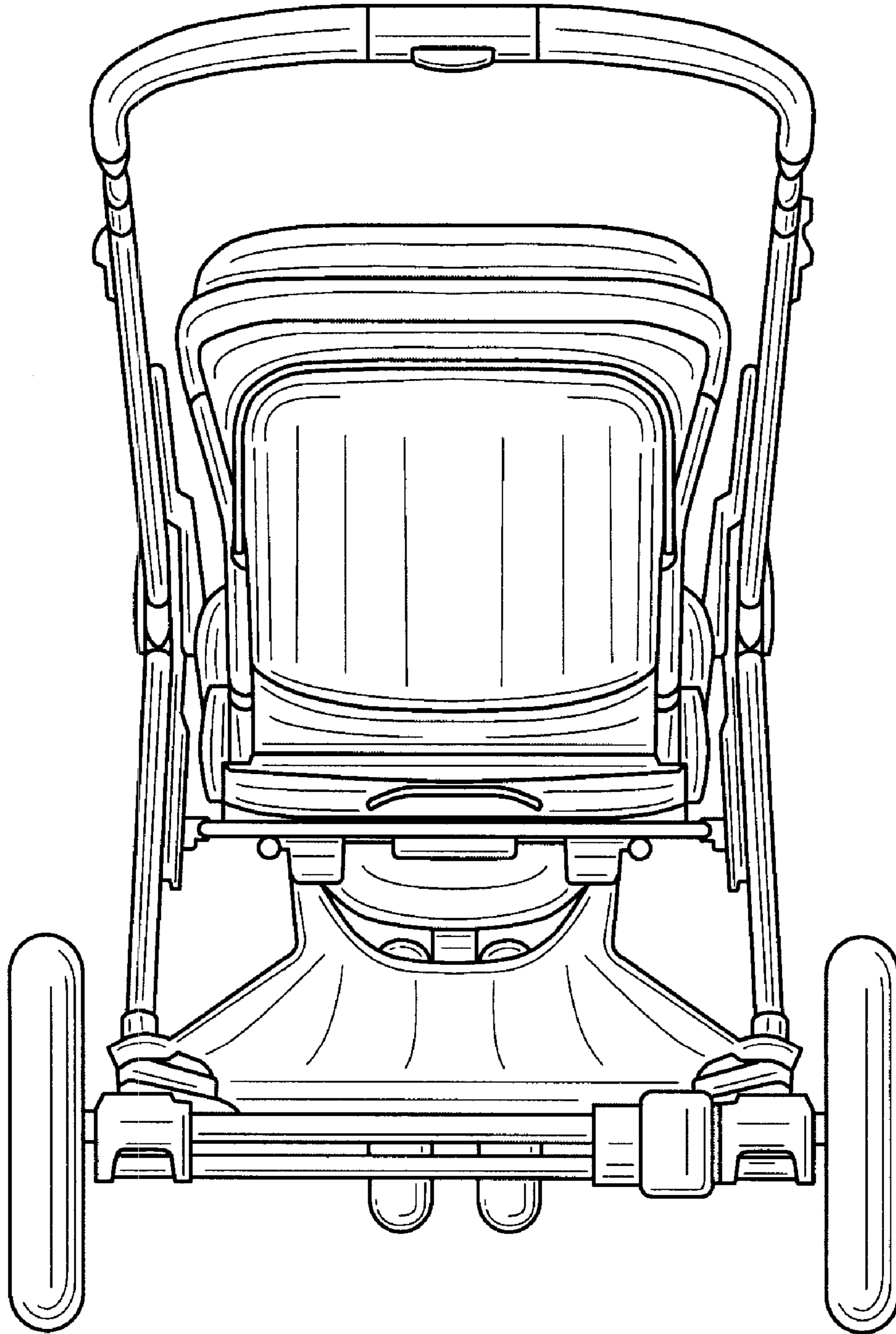


FIG. 5



FIG. 6

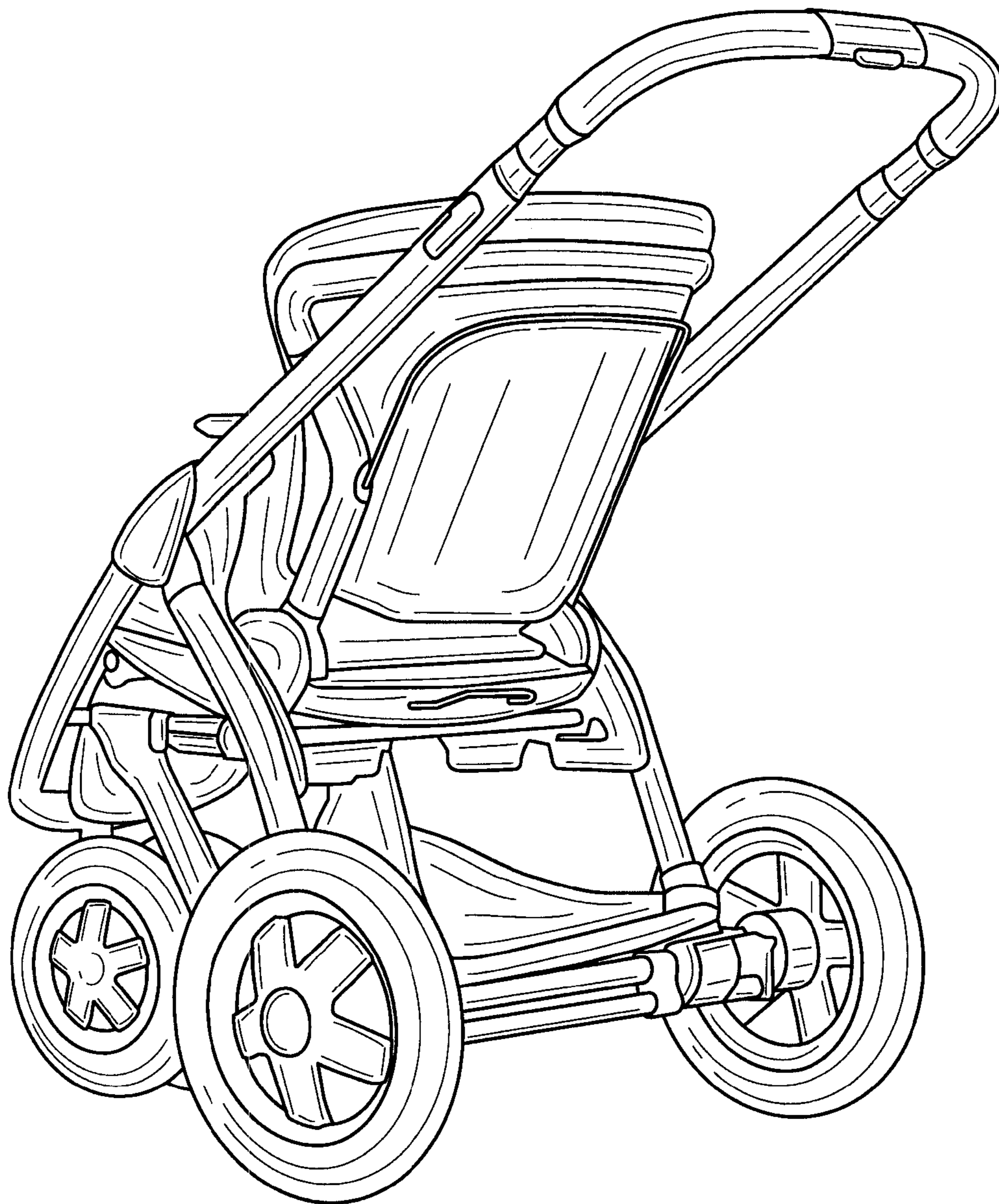


FIG. 7