



US00D576080S

(12) **United States Design Patent**  
**James et al.**

(10) **Patent No.:** **US D576,080 S**  
(45) **Date of Patent:** **\*\* Sep. 2, 2008**

(54) **MOTORCYCLE FRAME**

(75) Inventors: **Jesse G. James**, Surfside, CA (US);  
**Michael Desmond**, Long Beach, CA (US)

(73) Assignee: **West Coast Choppers, Inc.**, Long Beach, CA (US)

(\*\*) Term: **14 Years**

(21) Appl. No.: **29/282,582**

(22) Filed: **Jul. 24, 2007**

(51) **LOC (8) Cl.** ..... **12-11**

(52) **U.S. Cl.** ..... **D12/110**

(58) **Field of Classification Search** ..... D12/110,  
D12/117; 180/219, 227, 311, 312, 225; 280/281.1,  
280/288.1–288.4, 283–288, 831, 833, 835  
See application file for complete search history.

(56) **References Cited**

**U.S. PATENT DOCUMENTS**

D480,335 S	10/2003	James
D480,664 S	10/2003	James
D480,993 S	10/2003	James
D483,300 S	12/2003	James
D498,179 S	11/2004	James

**OTHER PUBLICATIONS**

Custom Chrome® World's Finest Products for Harley-Davidsons™ 2005 catalog, Dragon Rigid Frame Kit by Jesse James on p. 14.17.\* James, U.S. Appl. No. 60/951,687, filed Jul. 24, 2007.

\* cited by examiner

*Primary Examiner*—Cathron Brooks

*Assistant Examiner*—Linda Brooks

(74) *Attorney, Agent, or Firm*—Gary D. Mann; Fitch Even Tabin & Flannery

(57) **CLAIM**

The ornamental design for a motorcycle frame, substantially as shown and described.

**DESCRIPTION**

FIG. 1 is a perspective view of the motorcycle frame showing our new design;

FIG. 2 is a rear elevational view of FIG. 1;

FIG. 3 is a front elevational view of FIG. 1;

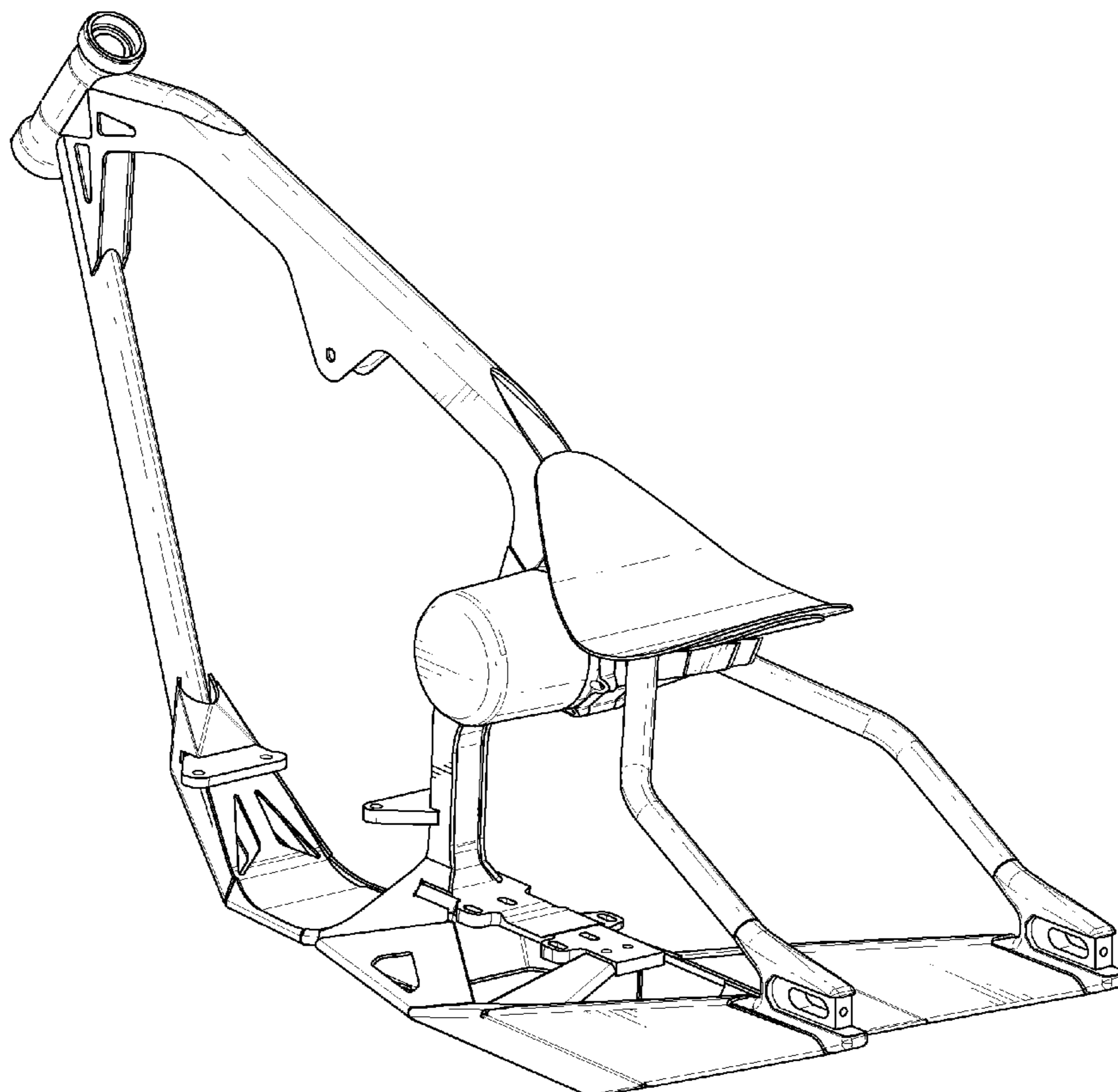
FIG. 4 is a right side elevational view of FIG. 1;

FIG. 5 is a left side elevational view of FIG. 1;

FIG. 6 is a top plan view of FIG. 1; and,

FIG. 7 is a bottom plan view of of FIG. 1.

**1 Claim, 7 Drawing Sheets**



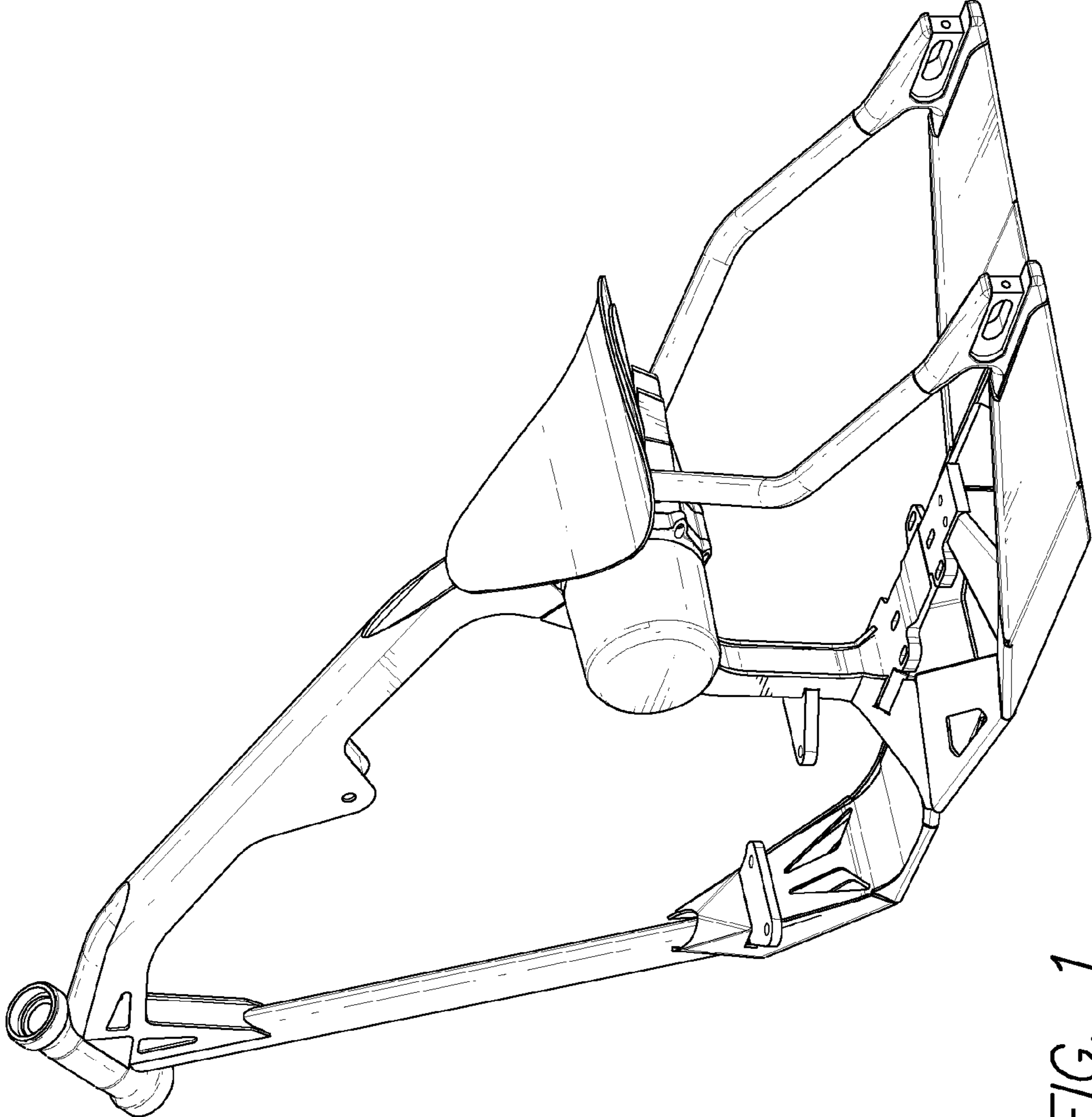


FIG. 1

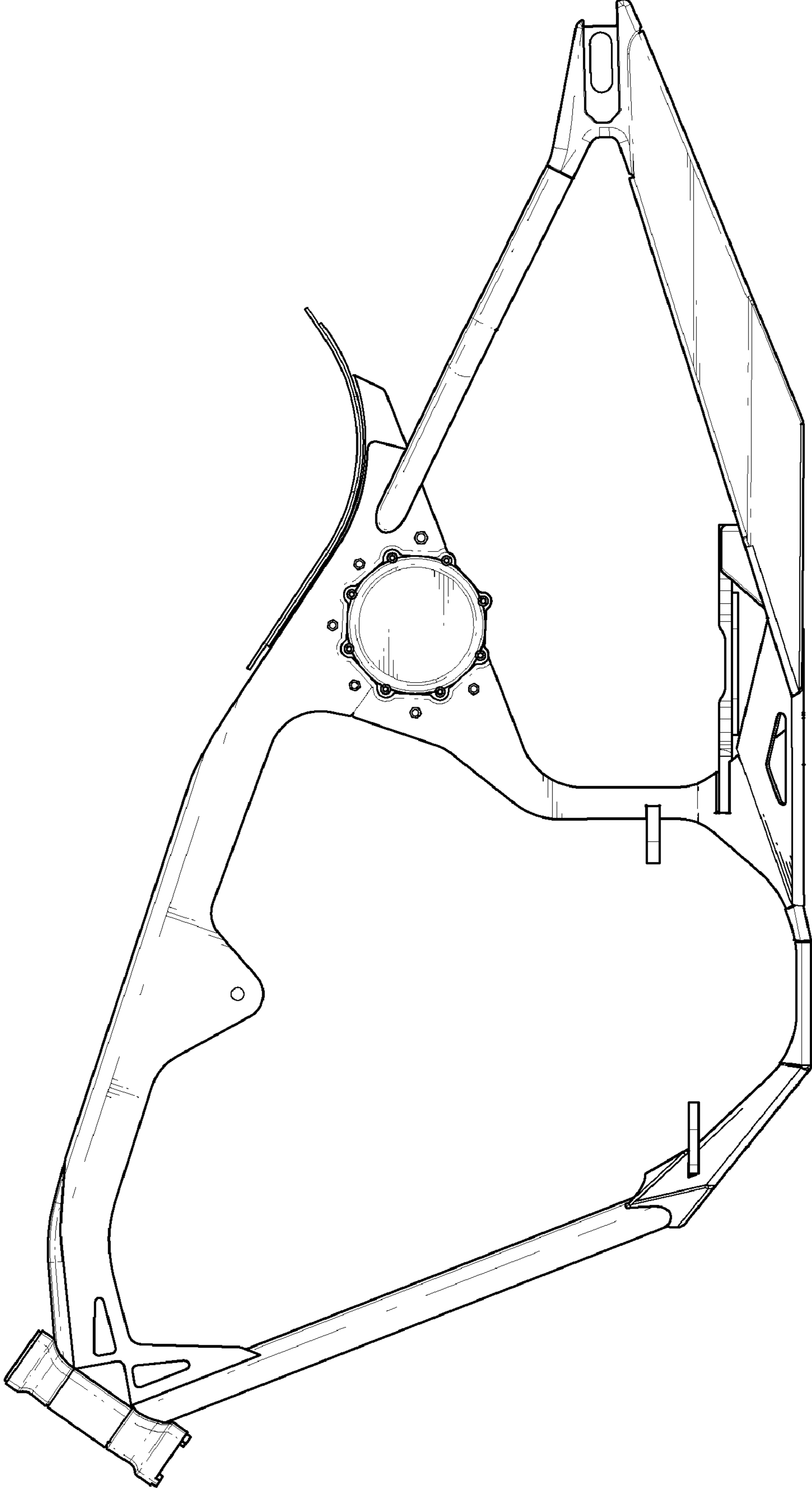


FIG. 2

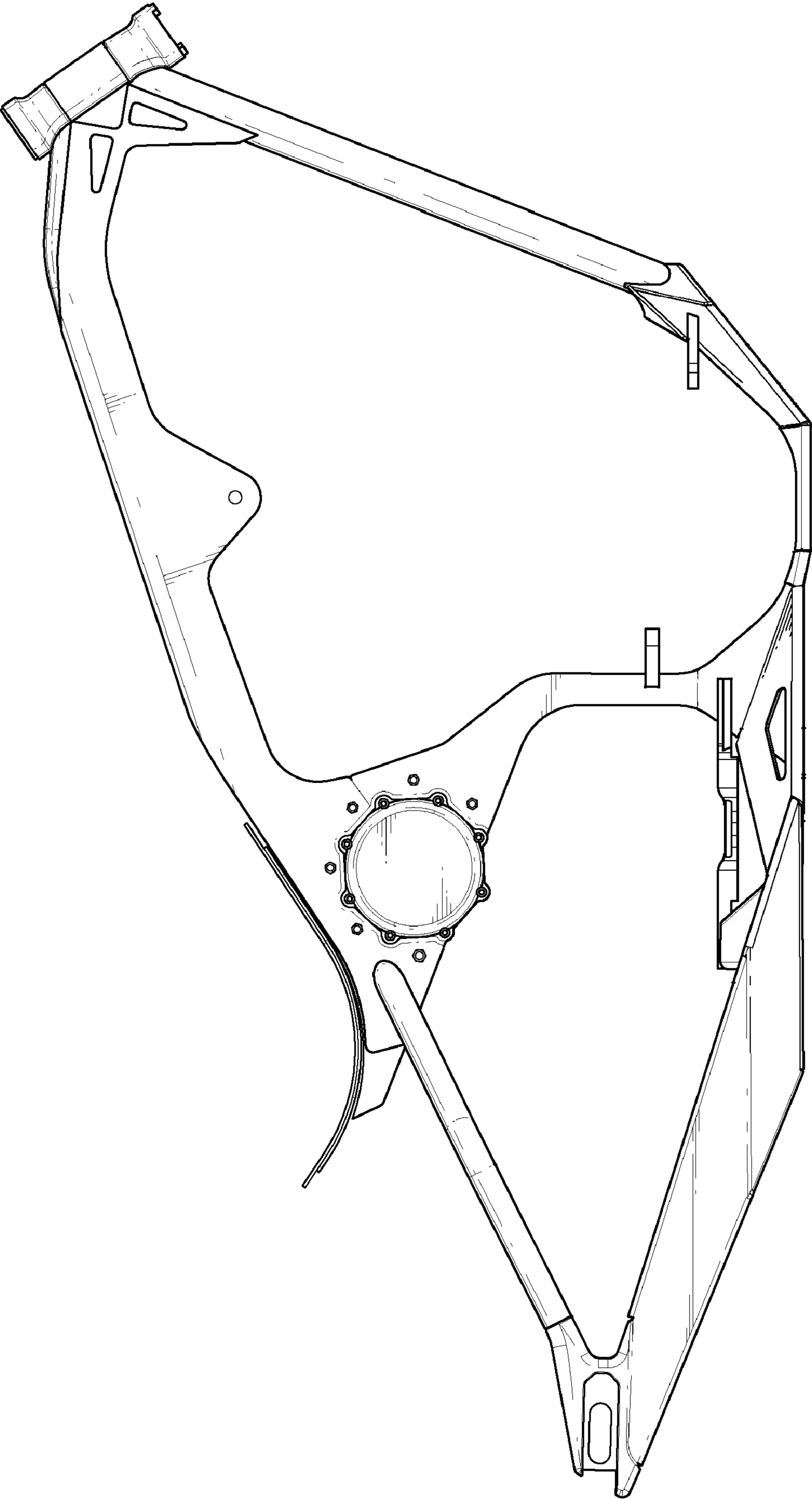


FIG. 3

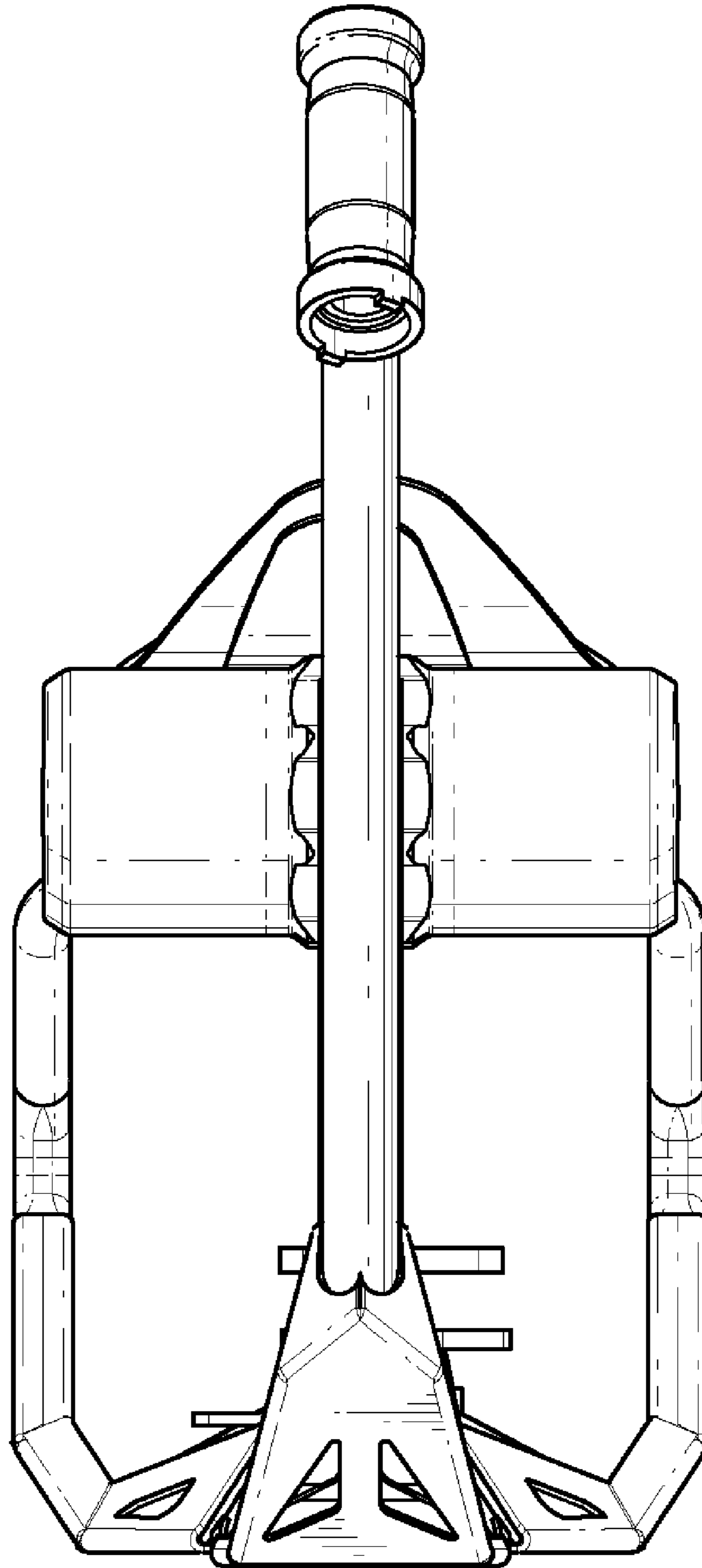


FIG. 4

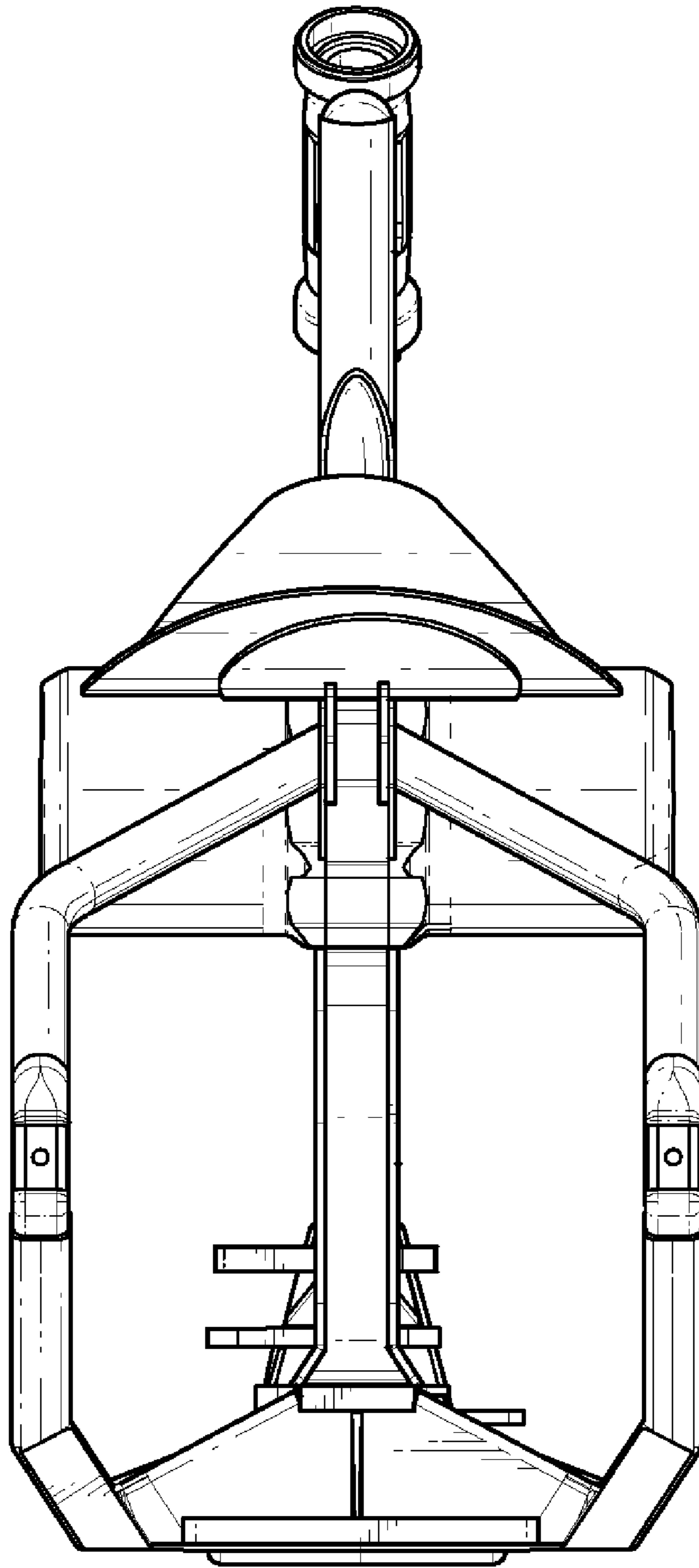


FIG. 5

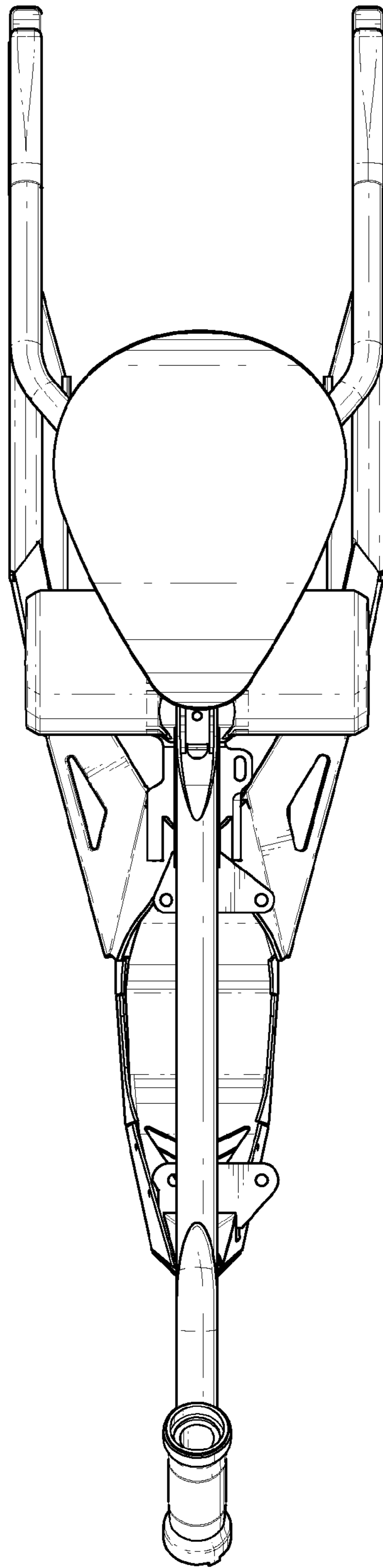


FIG. 6

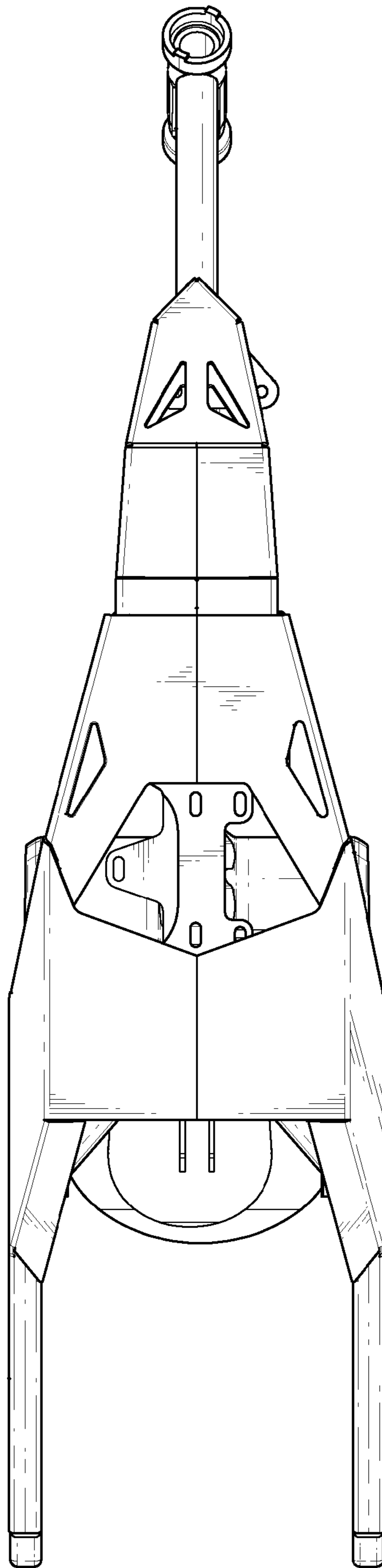


FIG. 7