



US00D576079S

(12) **United States Design Patent**
Wong

(10) **Patent No.:** **US D576,079 S**
(45) **Date of Patent:** **** Sep. 2, 2008**

(54) **TUBE CANDLE**

2007/0298358 A1* 12/2007 Viggiani 431/35

(75) Inventor: **Wingkin Wong**, Zhongshan (CN)

* cited by examiner

(73) Assignee: **Zhongshan ZhongNam Candle
Manufacturer Co., Ltd.**, Huancheng
District, Zhongshan, Guangdong
Province (CN)

Primary Examiner—Robert M. Spear
Assistant Examiner—Ania K Dworzecka
(74) *Attorney, Agent, or Firm*—Lau & Associates, LLC

(**) Term: **14 Years**

(57) **CLAIM**

(21) Appl. No.: **29/290,631**

The ornamental design for a tube candle, as shown and described.

(22) Filed: **Dec. 28, 2007**

DESCRIPTION

(51) **LOC (8) Cl.** **26-04**

FIG. 1 is a perspective view of a tube candle showing my new design;

(52) **U.S. Cl.** **D12/6**

(58) **Field of Classification Search** D26/6–23;
431/288, 125, 126, 292, 289, 35
See application file for complete search history.

FIG. 2 is a front elevational view thereof;

FIG. 3 is a rear elevational view thereof;

FIG. 4 is a right side elevational view thereof;

FIG. 5 is a left side elevational view thereof;

FIG. 6 is a bottom plan view thereof; and,

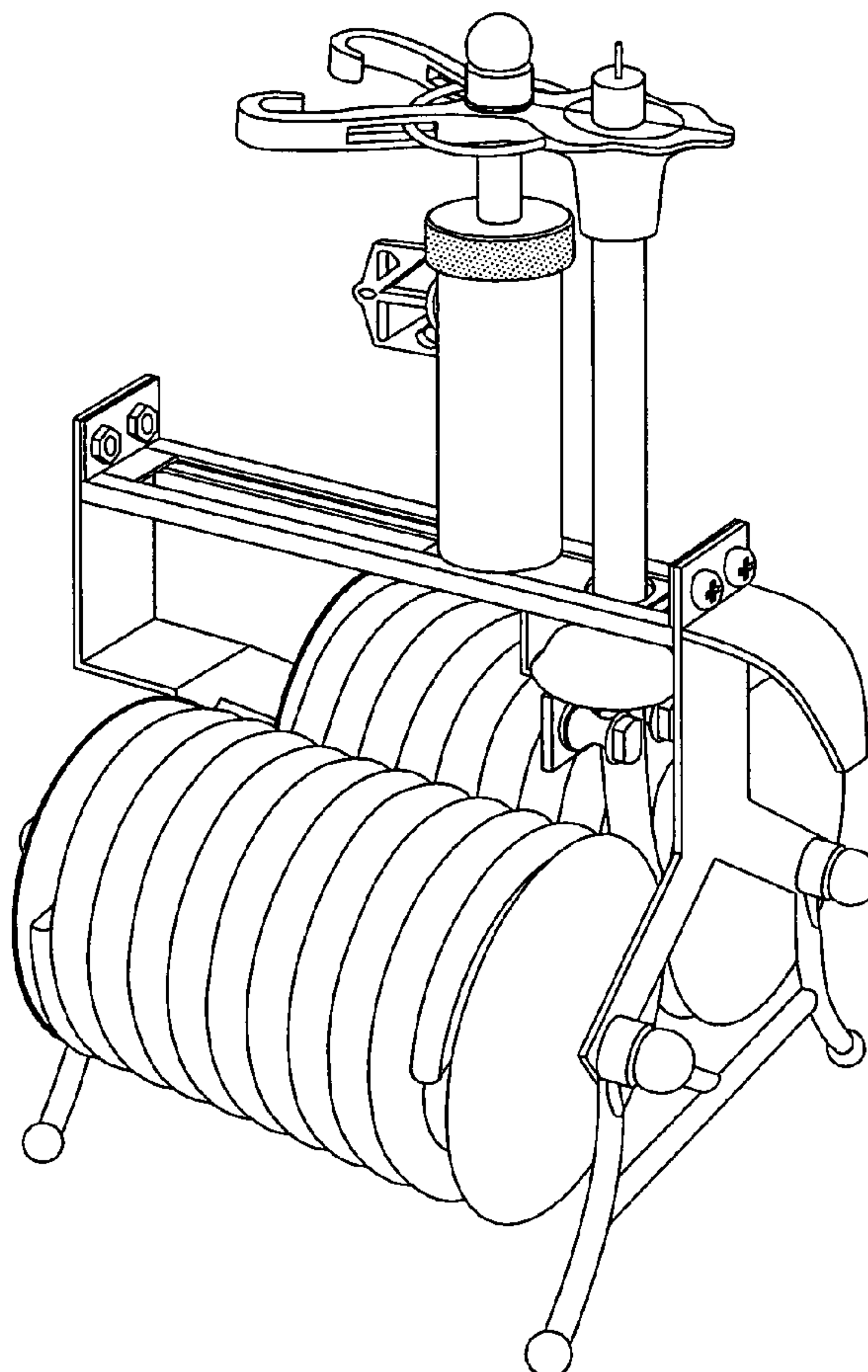
FIG. 7 is a top plan view thereof.

(56) **References Cited**

U.S. PATENT DOCUMENTS

- 117,763 A * 8/1871 Fritsch 431/289
- D216,570 S * 2/1970 Reiher D26/6
- D244,056 S * 4/1977 Jimenez et al. D26/6

1 Claim, 4 Drawing Sheets



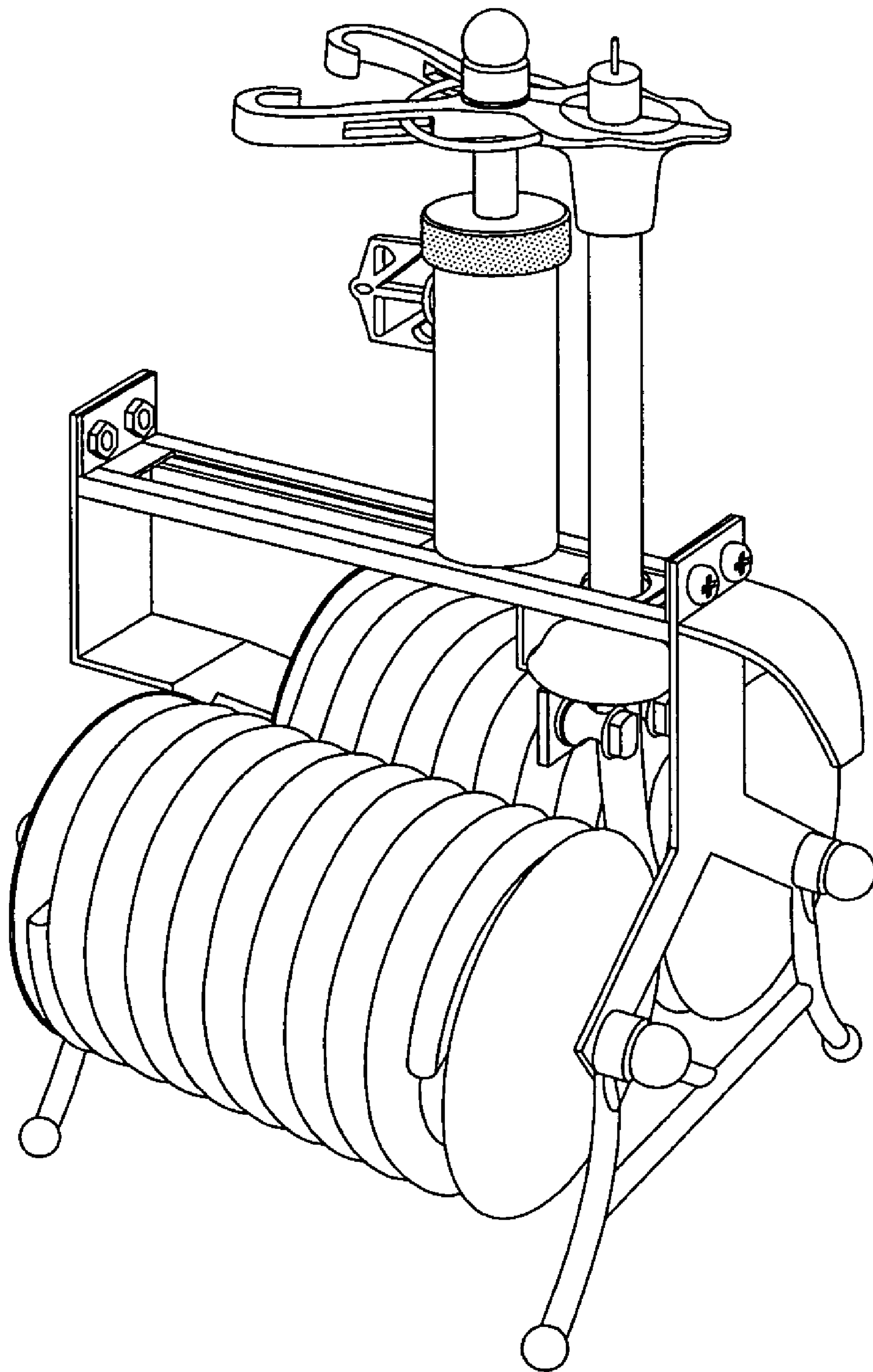


FIG. 1

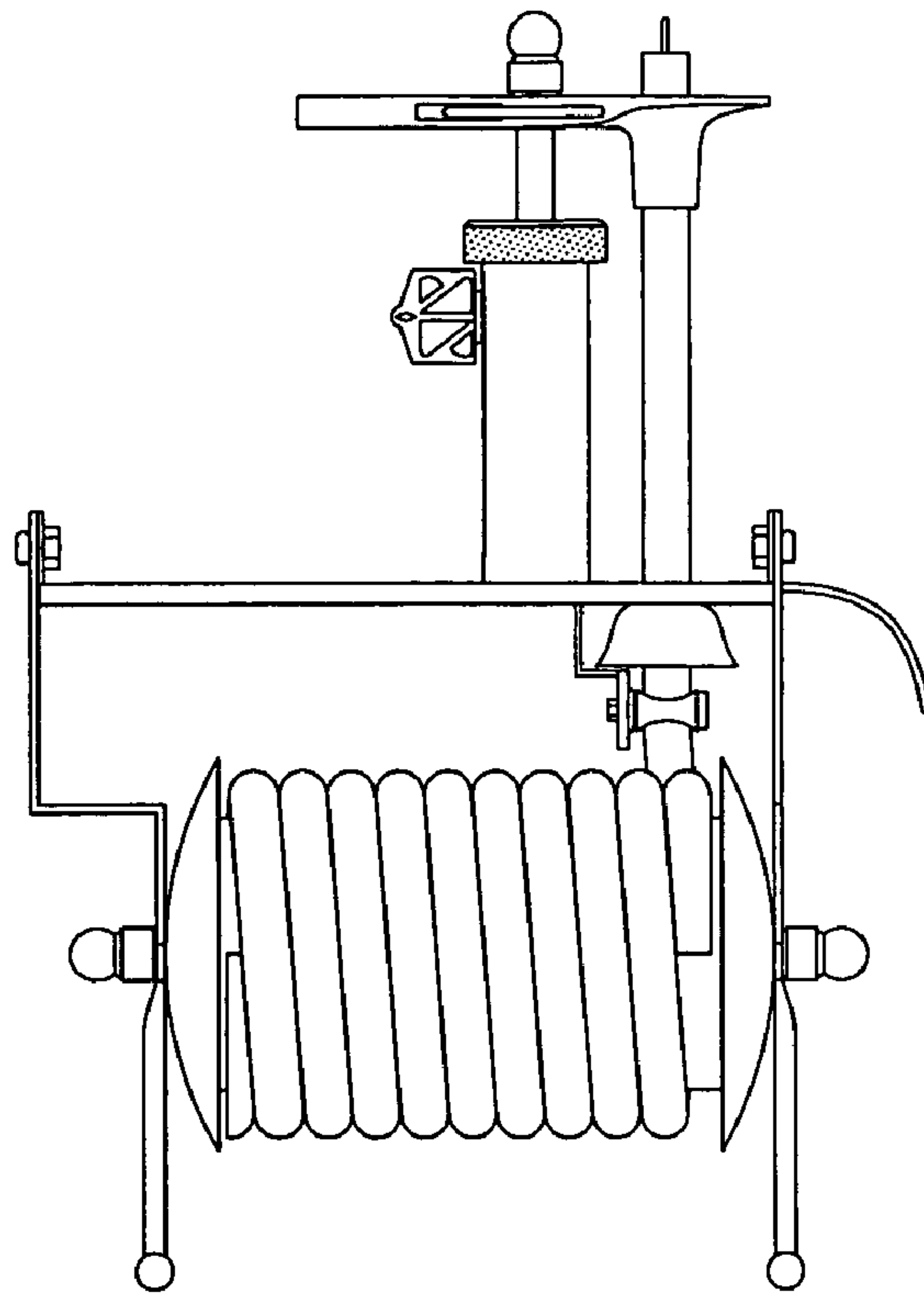


FIG. 2

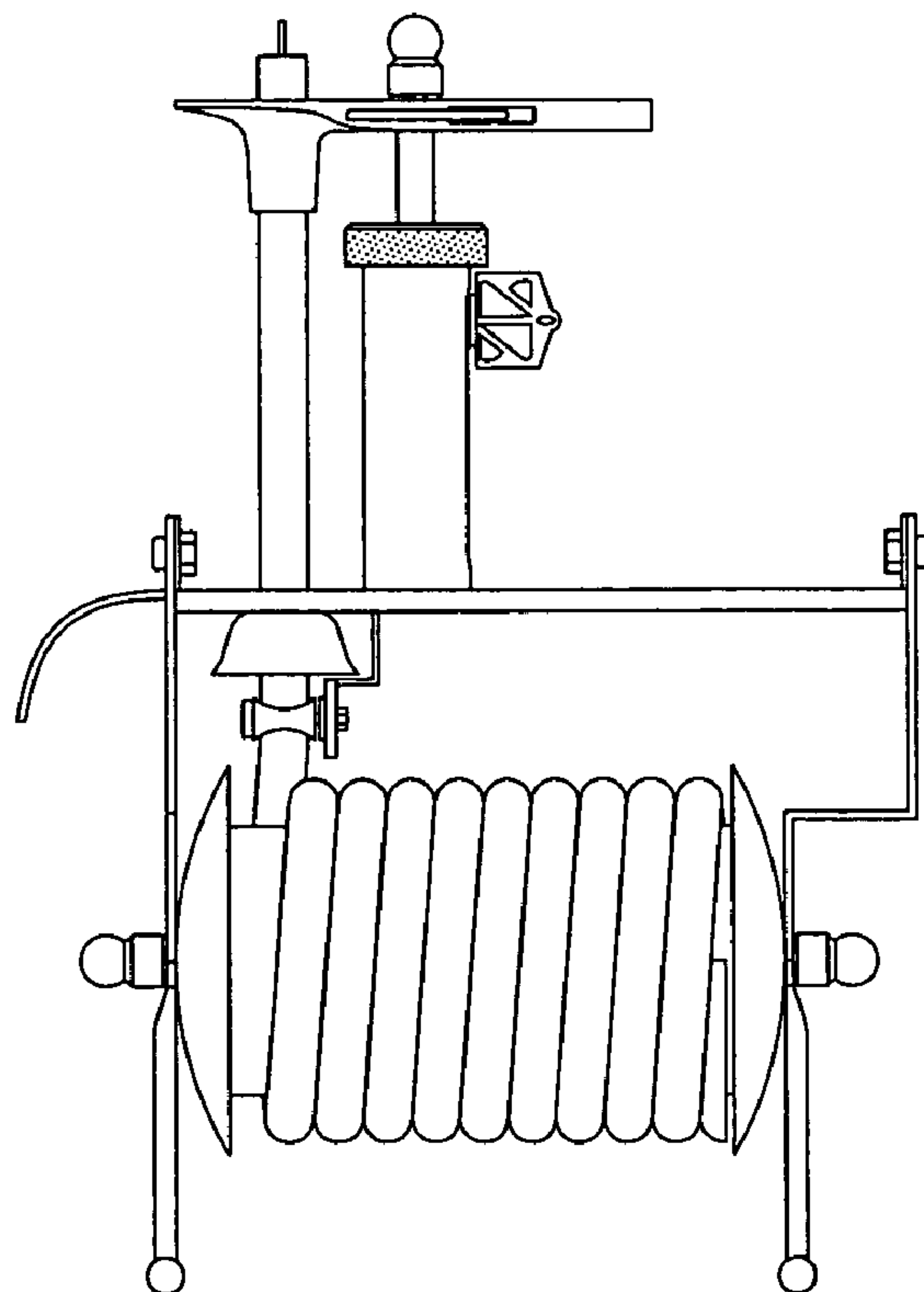


FIG. 3

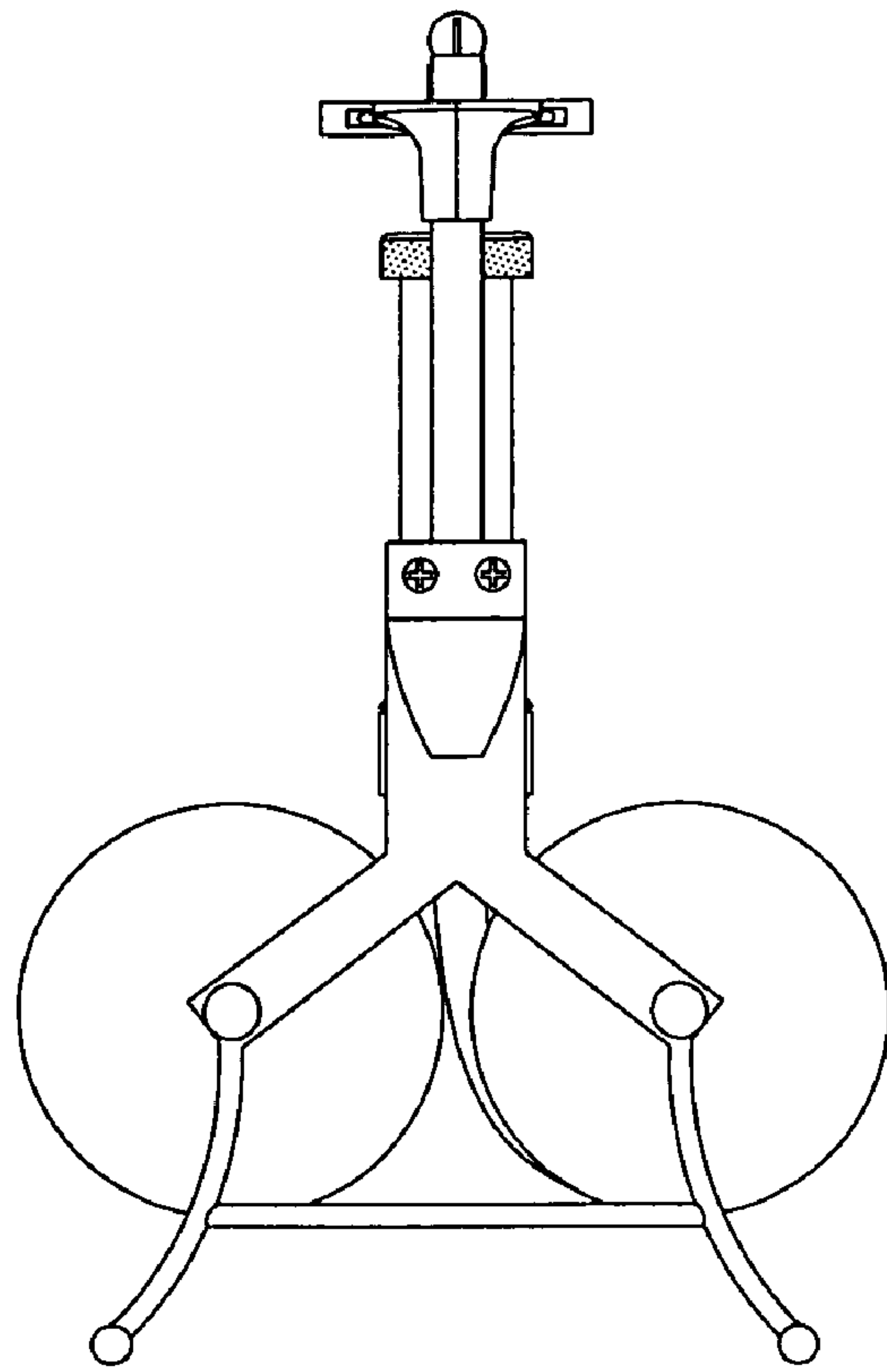


FIG. 4

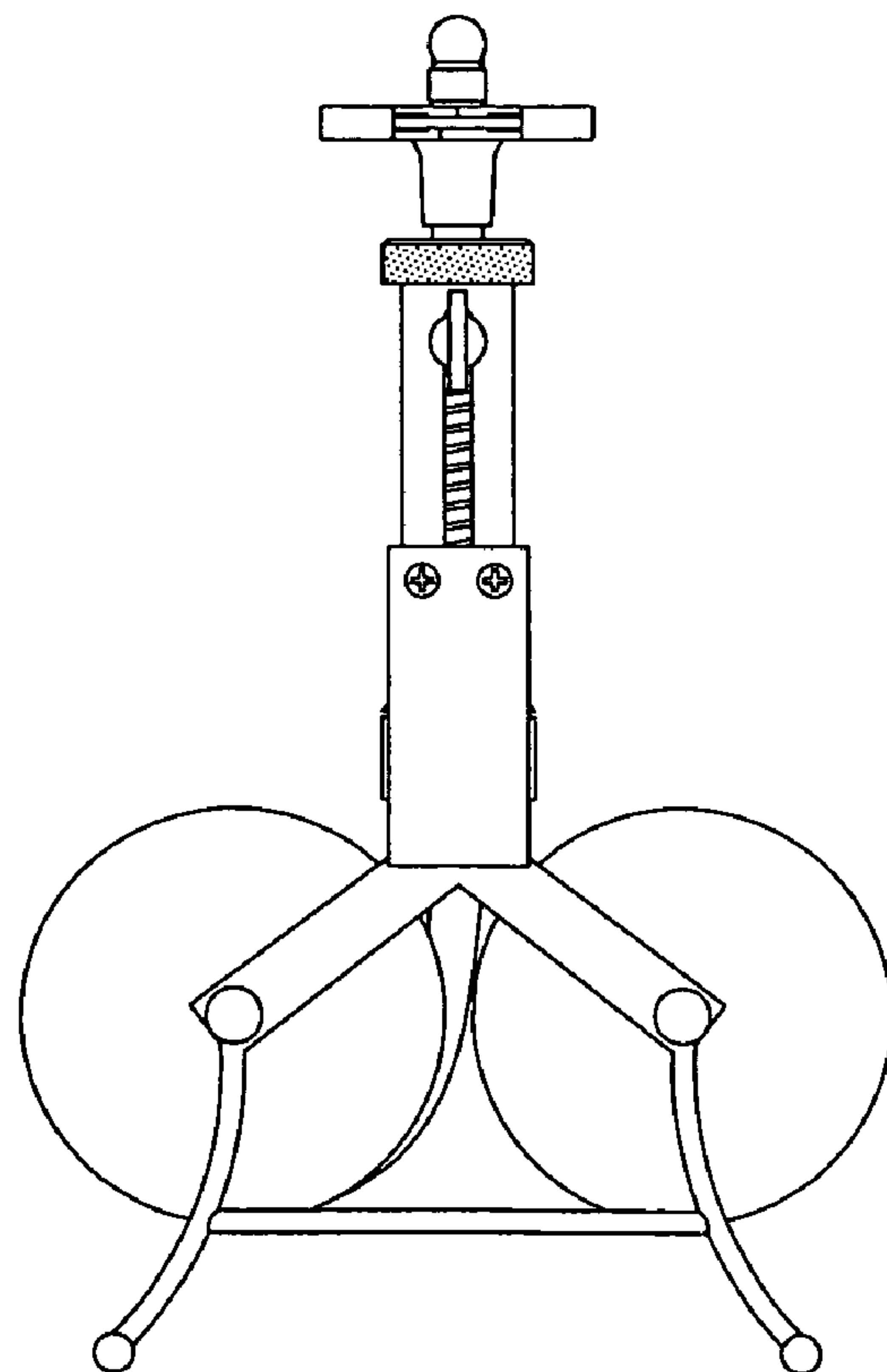


FIG. 5

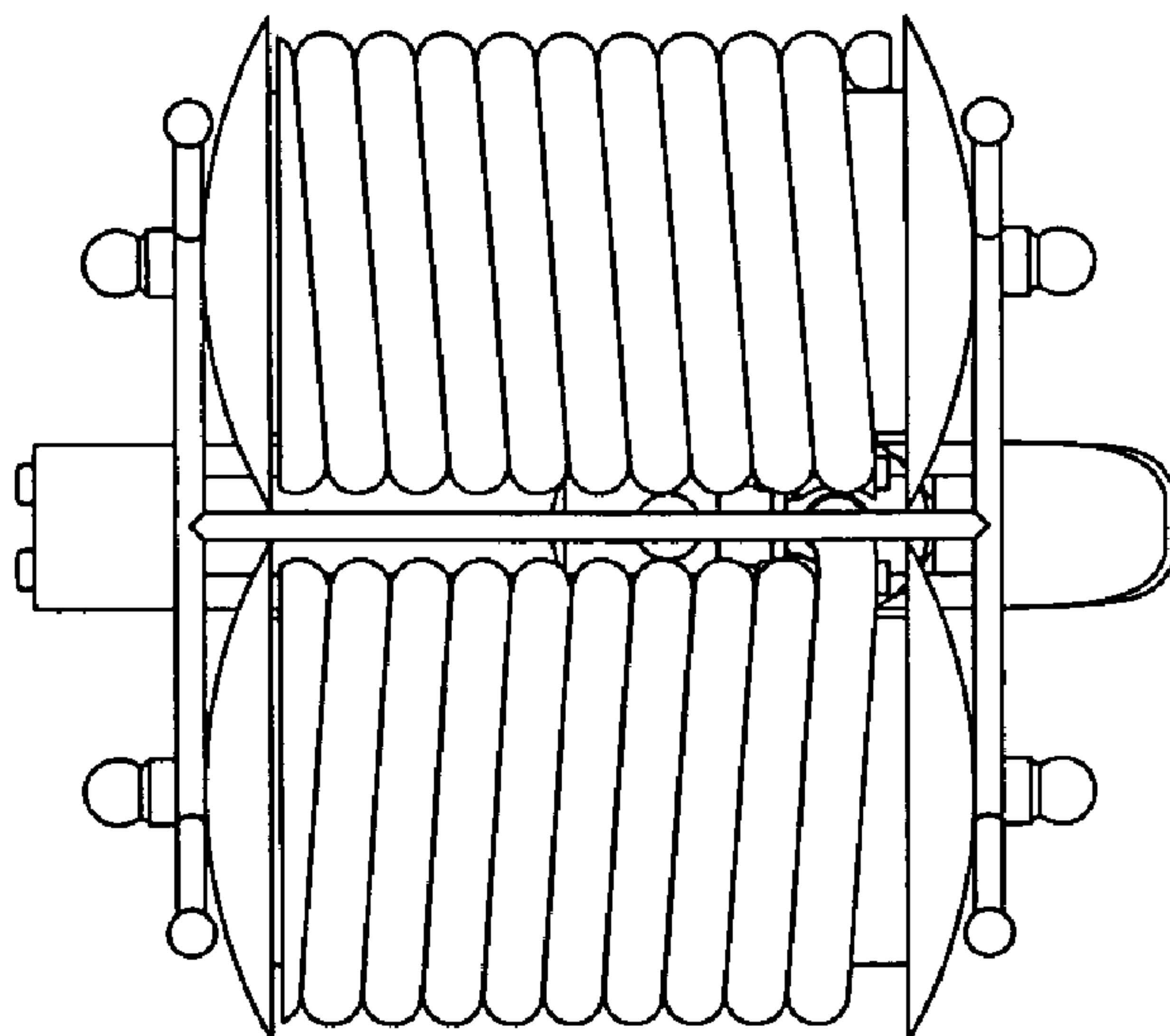


FIG. 6

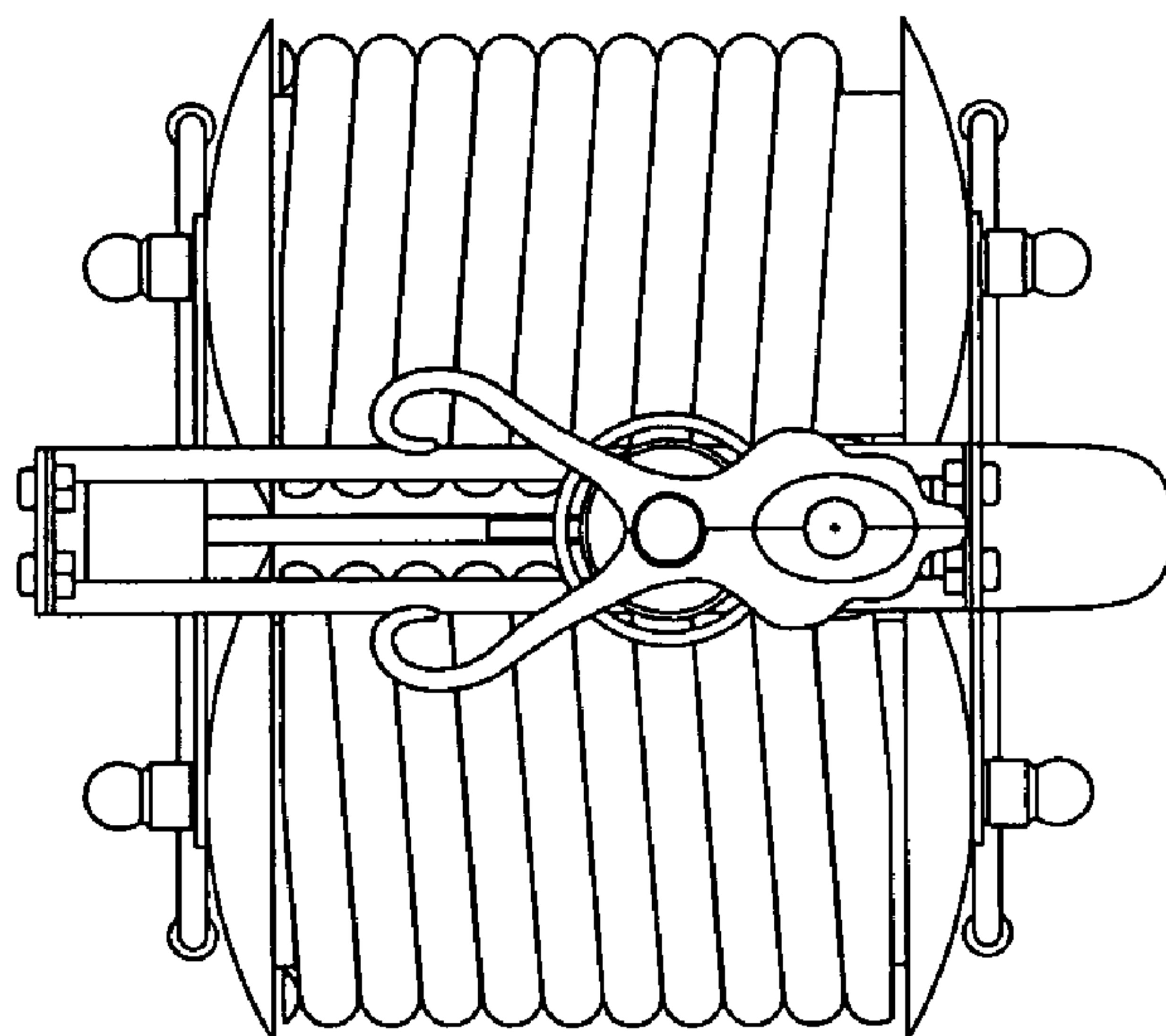


FIG. 7