



US00D576078S

(12) **United States Design Patent**
Lebeuf

(10) **Patent No.:** **US D576,078 S**

(45) **Date of Patent:** **** Sep. 2, 2008**

(54) **STEERABLE SLED**

(75) Inventor: **Jean-François Lebeuf**, Brossard (CA)

(73) Assignee: **Pelican International Inc.**, Laval,
Quebec (CA)

(**) Term: **14 Years**

(21) Appl. No.: **29/250,778**

(22) Filed: **Nov. 30, 2006**

(51) **LOC (8) Cl.** **12-14**

(52) **U.S. Cl.** **D12/6**

(58) **Field of Classification Search** D12/6,
D12/9-11; D21/760, 766-770; 280/11,
280/12, 15-51.1, 845, 13-14; 441/129-132
See application file for complete search history.

(56) **References Cited**

U.S. PATENT DOCUMENTS

4,063,746	A	*	12/1977	Hansen	280/16
D271,007	S	*	10/1983	Skillius	D12/10
D311,358	S	*	10/1990	Dallaire	D12/10
D379,331	S	*	5/1997	Hermansen	D12/10

* cited by examiner

Primary Examiner—Robert M. Spear

Assistant Examiner—Ania K Dworzecka

(74) *Attorney, Agent, or Firm*—Trexler, Bushnell,
Giangiorgi, Blackstone & Marr, Ltd.

(57) **CLAIM**

I claim the ornamental design for a steerable sled, as shown and described.

DESCRIPTION

FIG. 1 is a rear, left side, and perspective view of a steerable sled according to the present design;

FIG. 2 is a top view of the steerable sled of FIG. 1;

FIG. 3 is a right side view of the steerable sled of FIG. 1;

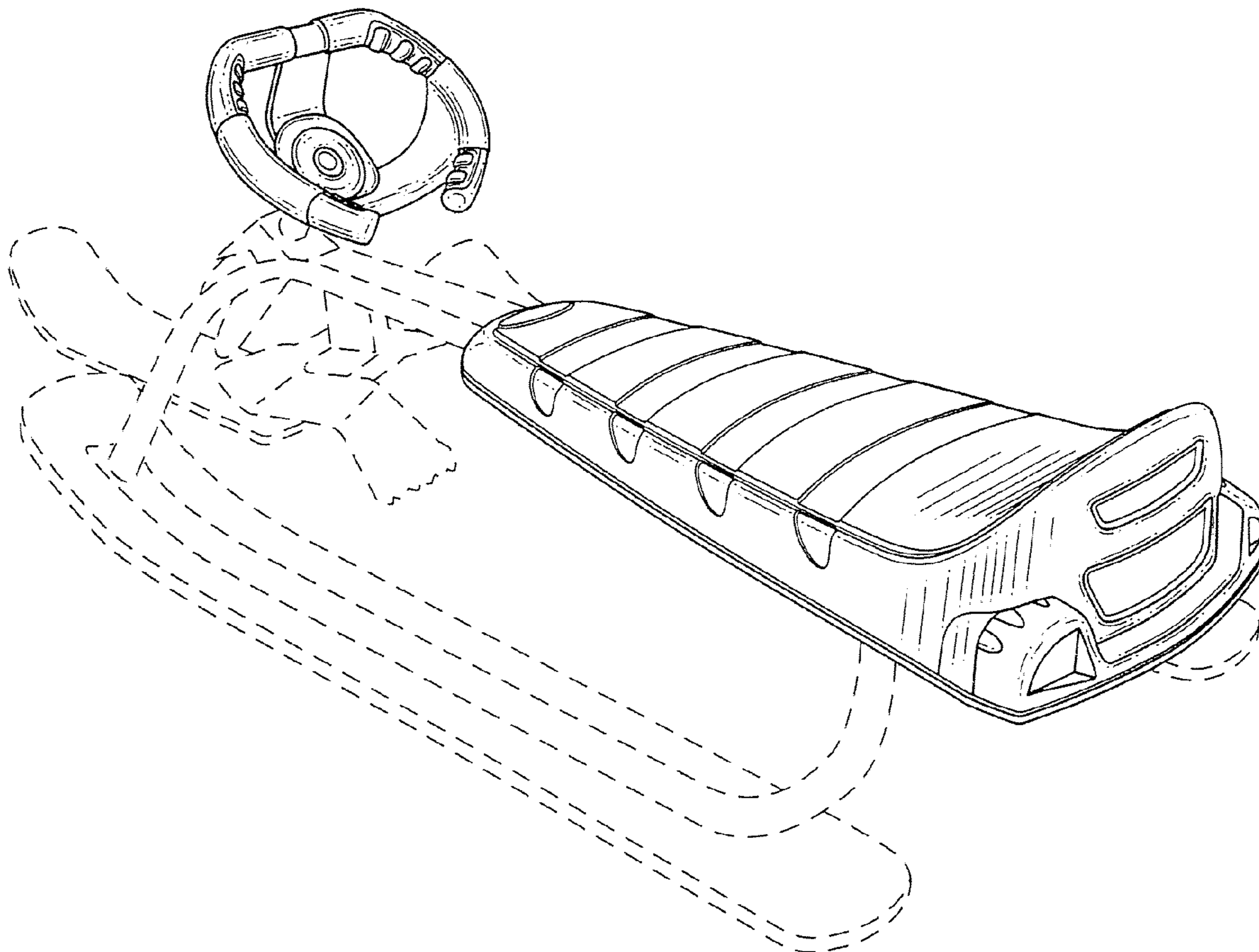
FIG. 4 is left side view of the steerable sled of FIG. 1;

FIG. 5 is rear view of the steerable sled of FIG. 1; and,

FIG. 6 is front view of the steerable sled of FIG. 1

The design consists of a steerable sled having a steering wheel and seat as shown in the drawings. The broken lines form no part of the design and are for illustrative purposes only.

1 Claim, 4 Drawing Sheets



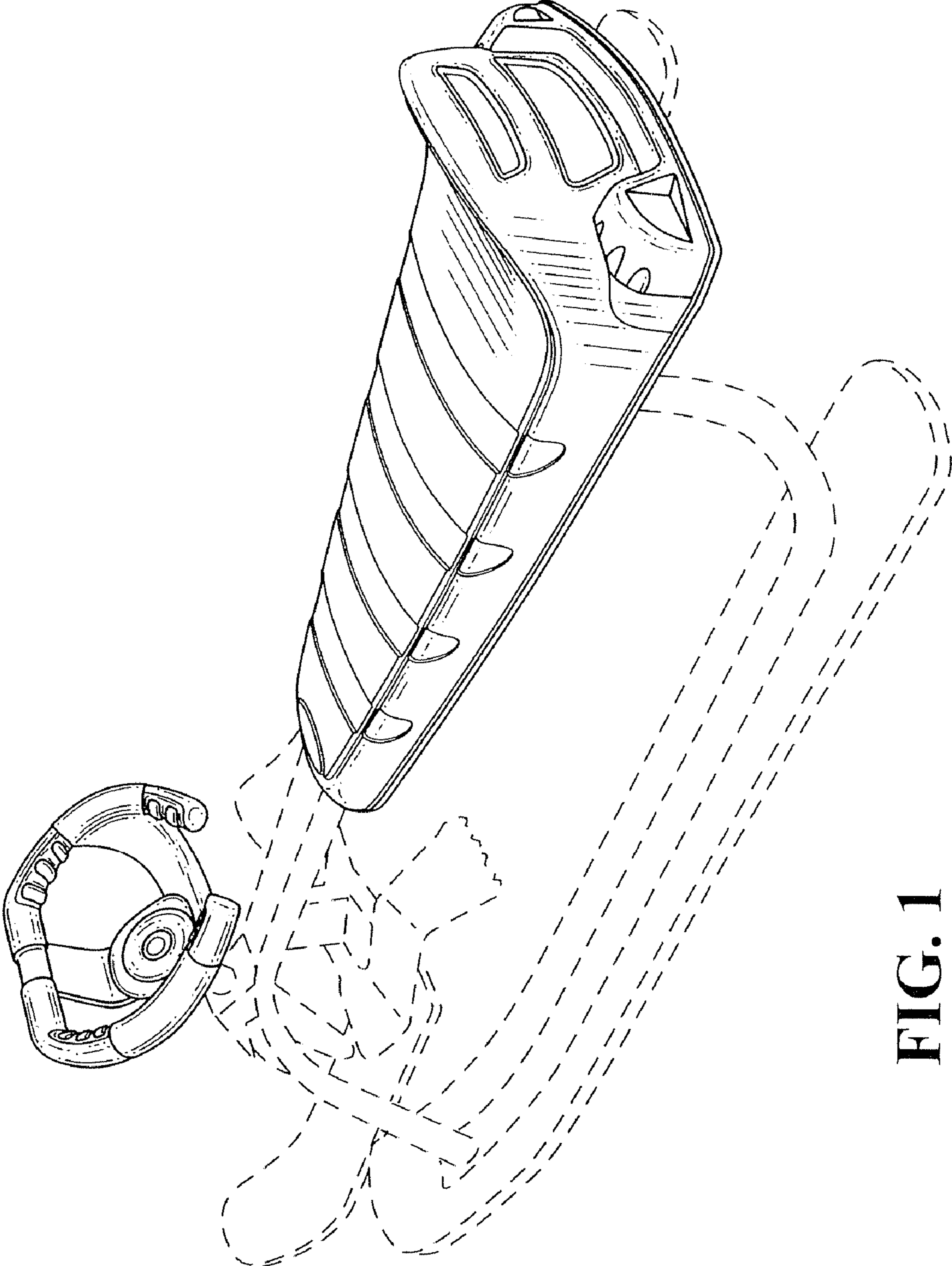


FIG. 1

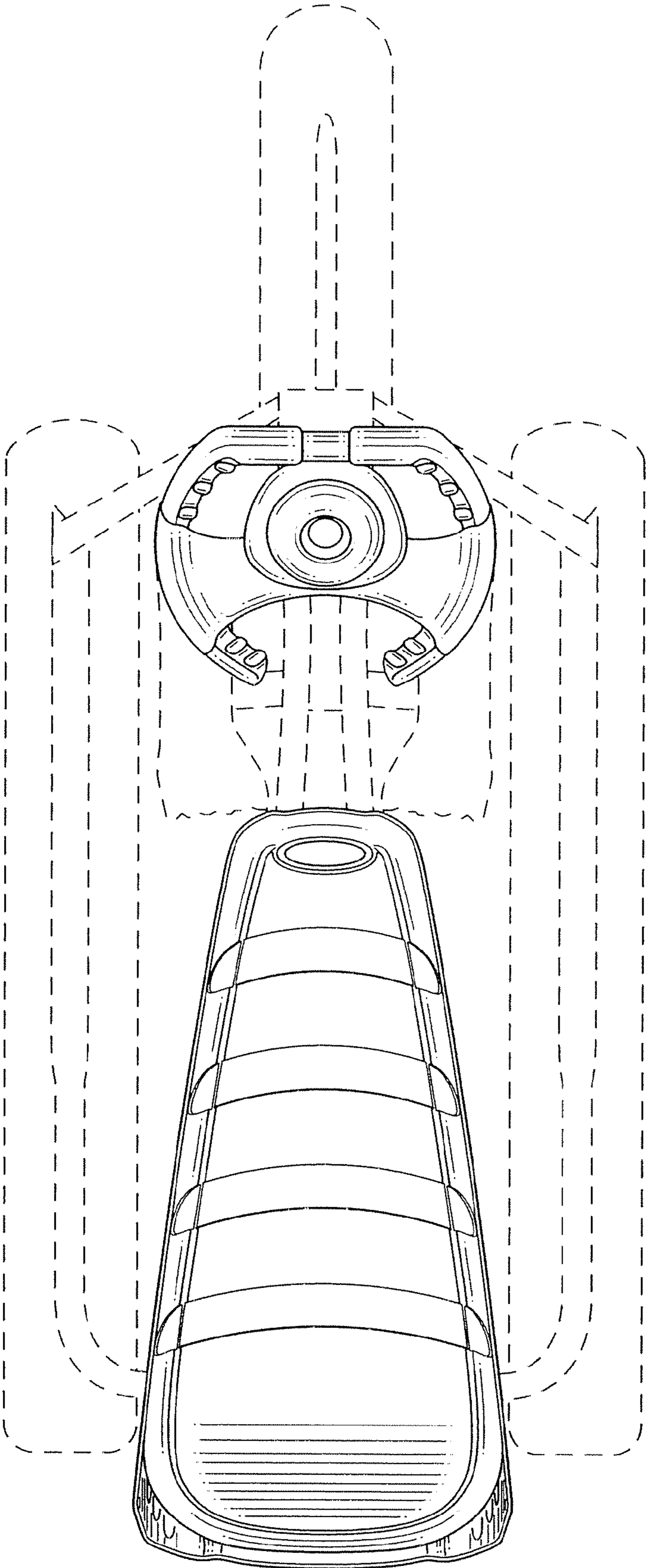
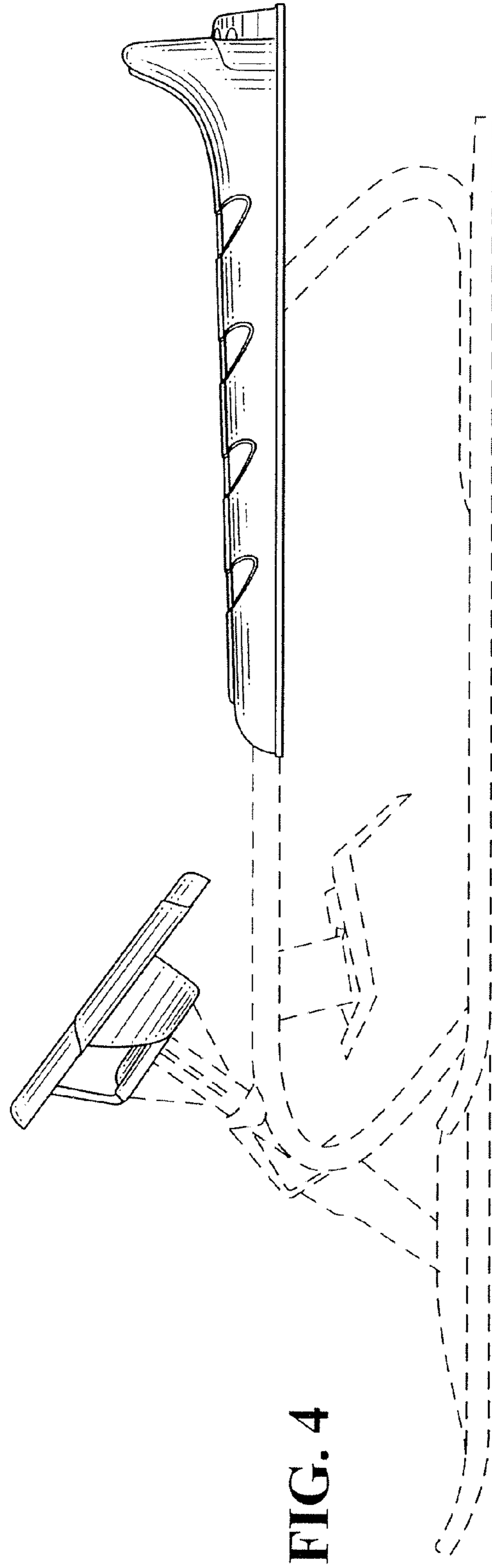
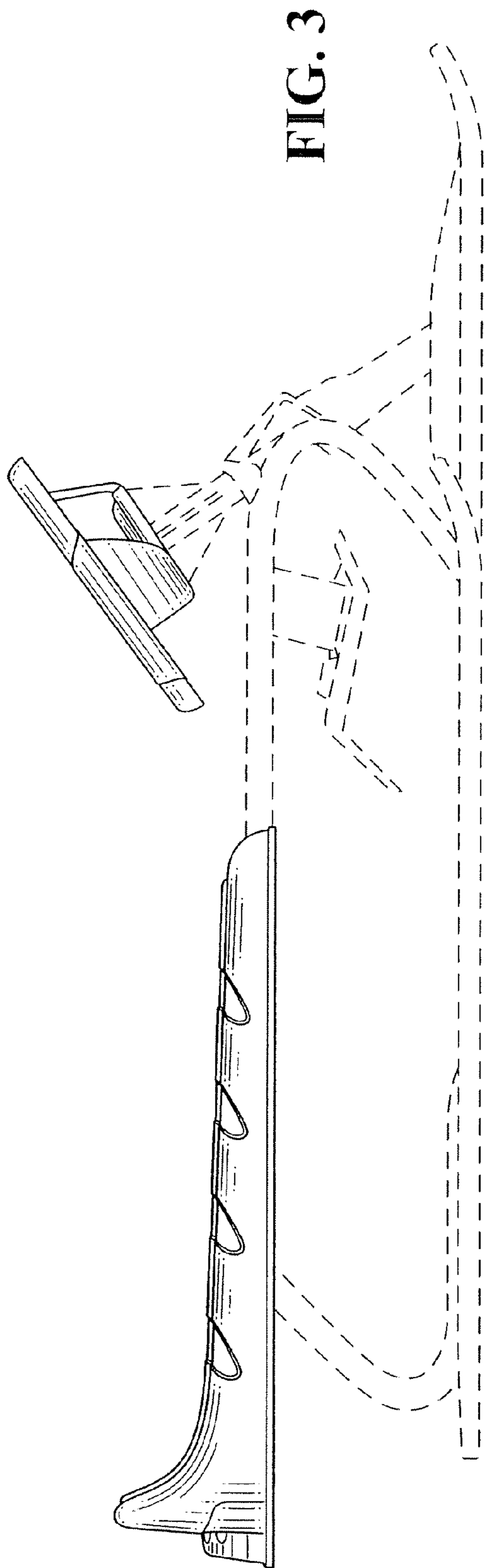


FIG. 2



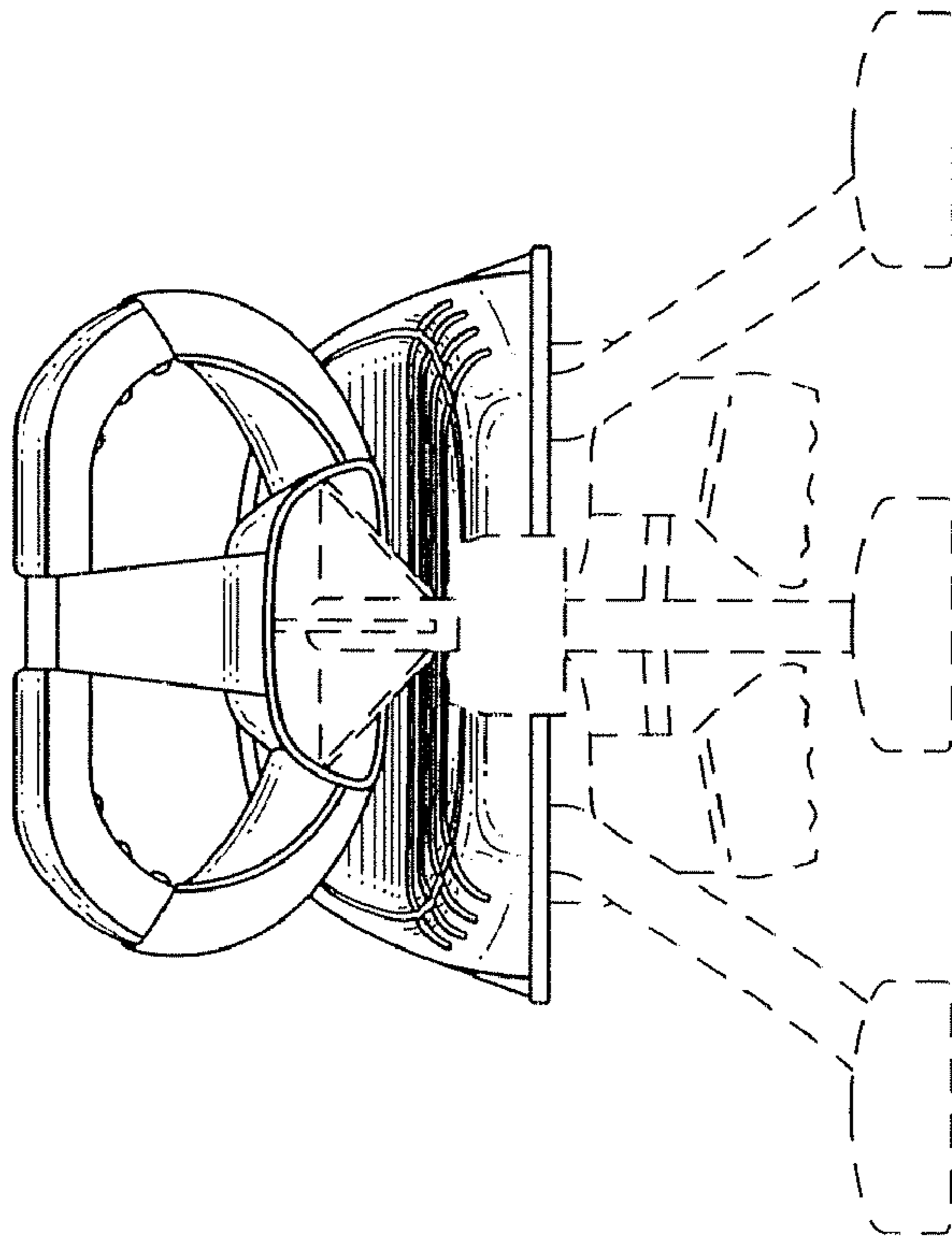


FIG. 6

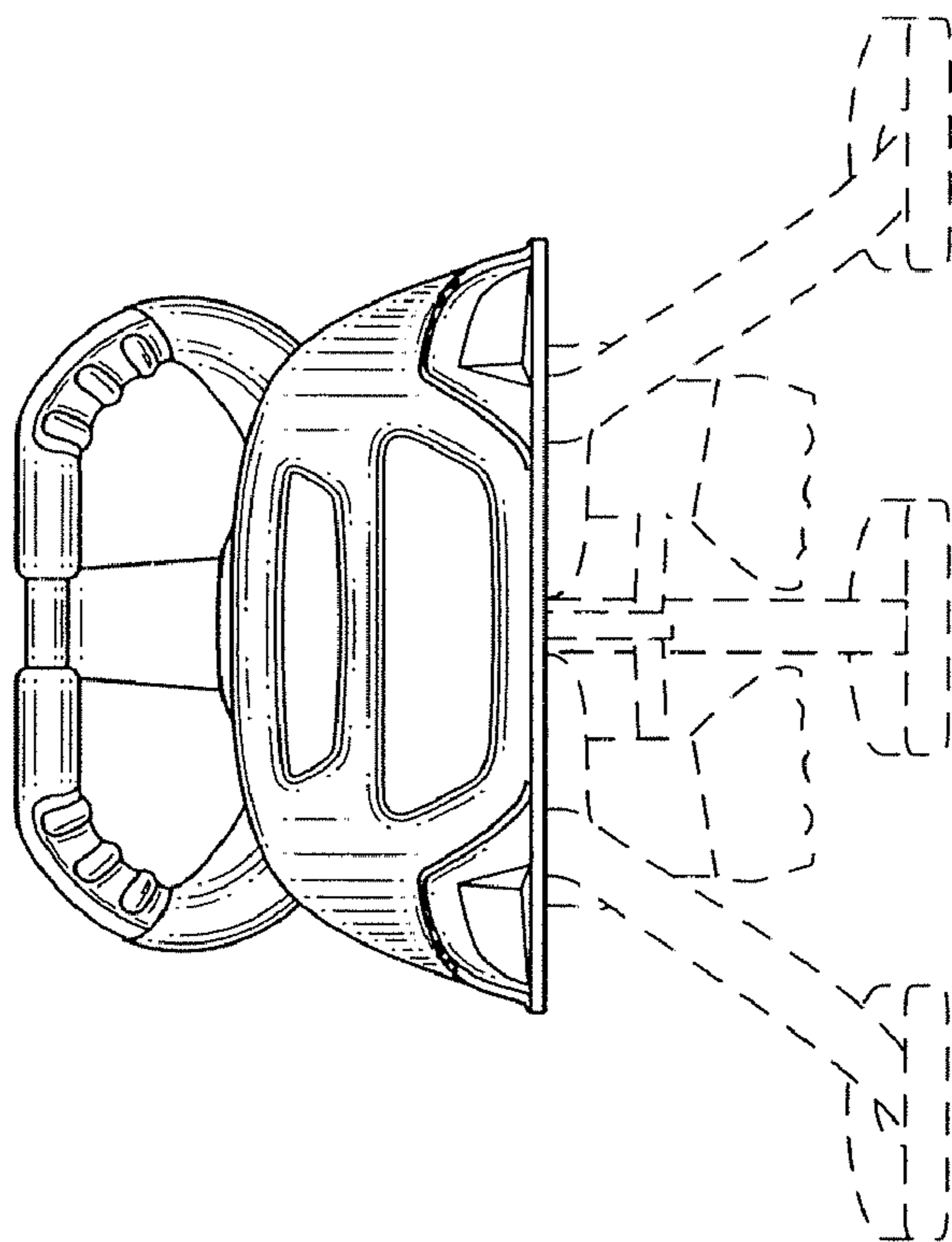


FIG. 5