



US00D576075S

(12) **United States Design Patent**  
**Freeman**

(10) **Patent No.:** **US D576,075 S**  
(45) **Date of Patent:** **\*\* Sep. 2, 2008**

(54) **STRAP END RETAINER**

(76) Inventor: **James Marty Freeman**, 3009 Courtney Cir., Siloam Springs, AR (US) 72761

(\*\*) Term: **14 Years**

(21) Appl. No.: **29/273,830**

(22) Filed: **Mar. 13, 2007**

(51) **LOC (8) Cl.** ..... **02-07**

(52) **U.S. Cl.** ..... **D11/218**

(58) **Field of Classification Search** ..... D11/200–201,  
D11/206–210, 214–216, 218; 24/163 R,  
24/169–171, 173, 177–179, 191, 194, 195,  
24/200, 197

See application file for complete search history.

(56) **References Cited**

**U.S. PATENT DOCUMENTS**

- D313,204 S \* 12/1990 Bodt ..... D11/218
- D314,359 S \* 2/1991 Viglianti et al. .... D11/212
- D363,257 S \* 10/1995 Anscher ..... D11/218
- D365,044 S \* 12/1995 Anscher ..... D11/218
- D476,946 S \* 7/2003 Lee et al. .... D12/524
- D508,661 S \* 8/2005 Kaneko et al. .... D11/218

D542,710 S \* 5/2007 Yoshiguchi ..... D11/218

\* cited by examiner

*Primary Examiner*—Ralf Seifert

(74) *Attorney, Agent, or Firm*—Keisling Pieper & Scott PLC;  
Trent C. Keisling; David B. Pieper

(57) **CLAIM**

The ornamental design for a strap end retainer, as shown and described.

**DESCRIPTION**

FIG. 1 is a front-right side perspective view of a strap end retainer showing my new design;

FIG. 2 is a front-right side perspective view thereof showing the retainer deployed around a strap end with no claim to the portions shown in dashed lines;

FIG. 3 is a front side elevational view thereof;

FIG. 4 is a top plan view thereof;

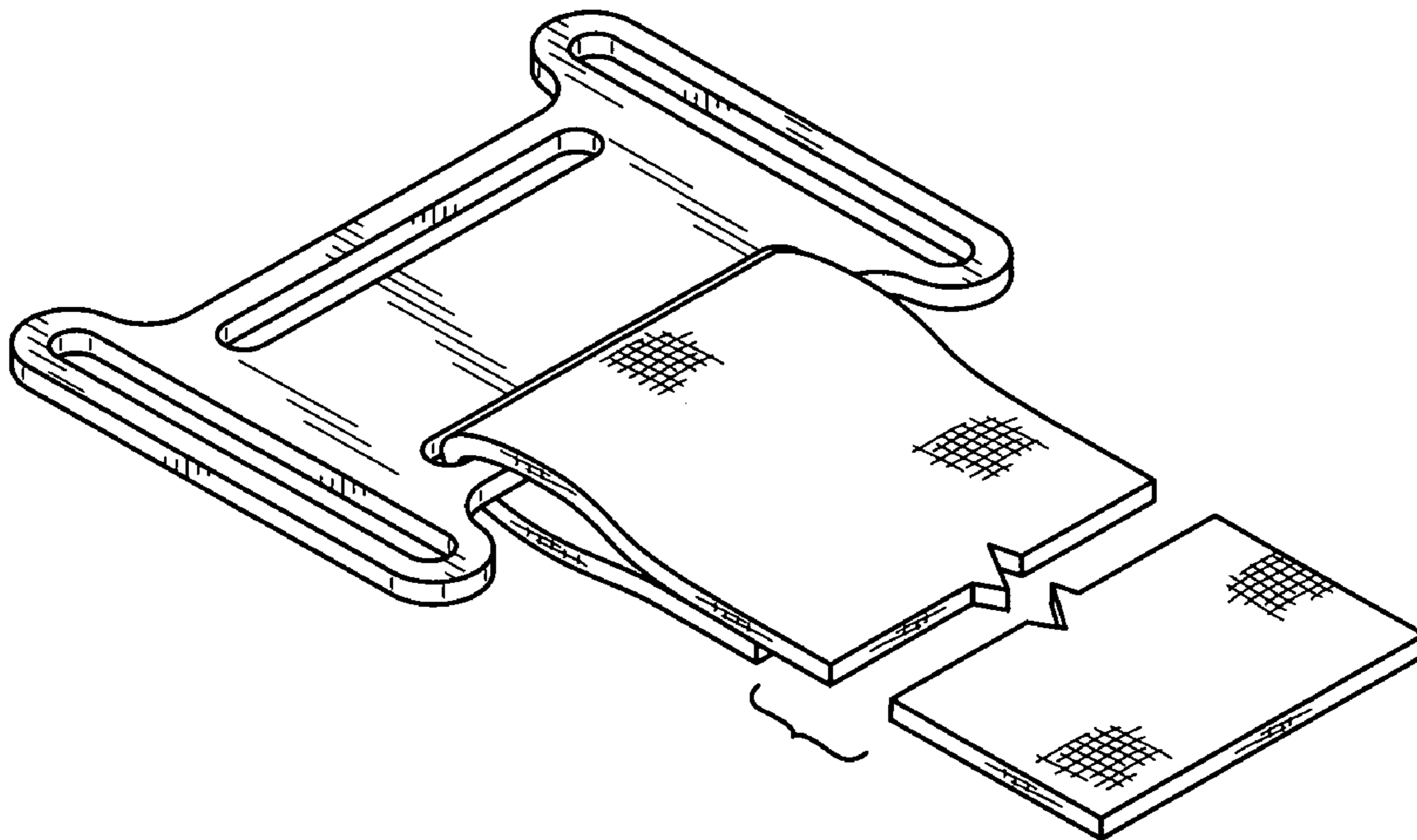
FIG. 5 is a bottom plan view thereof;

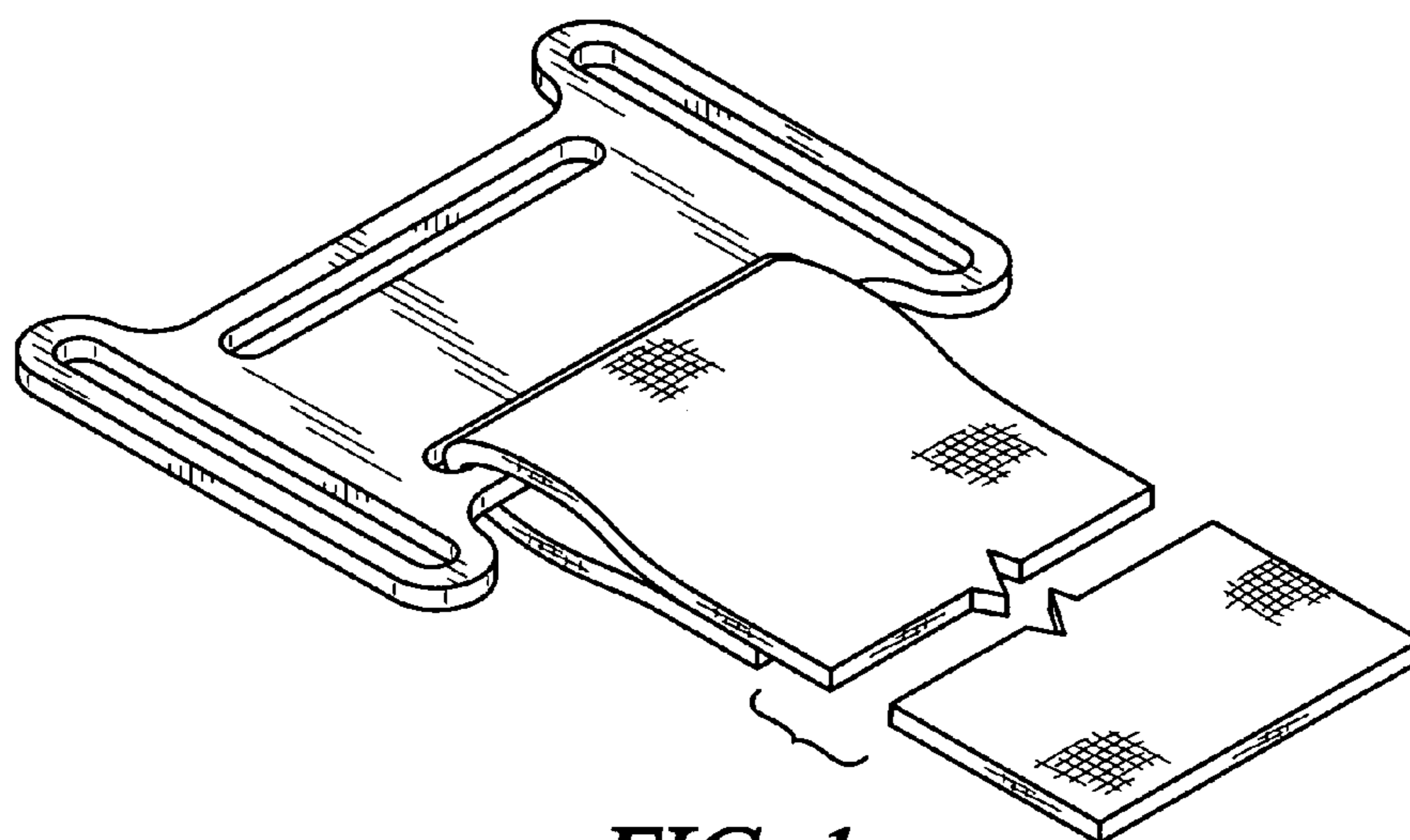
FIG. 6 is a left side elevational view thereof;

FIG. 7 is a right side elevational view thereof; and,

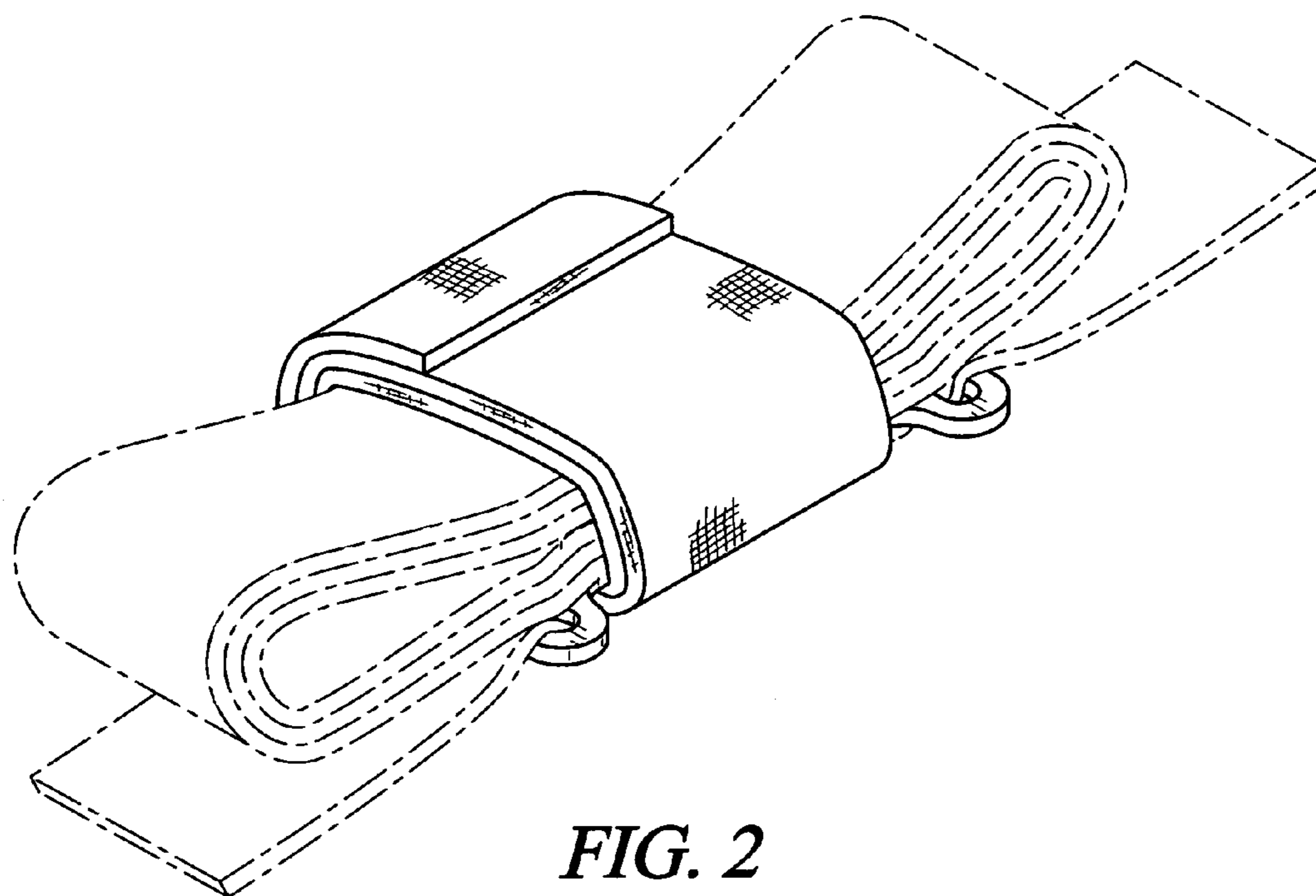
FIG. 8 is a rear side elevational view thereof.

**1 Claim, 2 Drawing Sheets**





*FIG. 1*



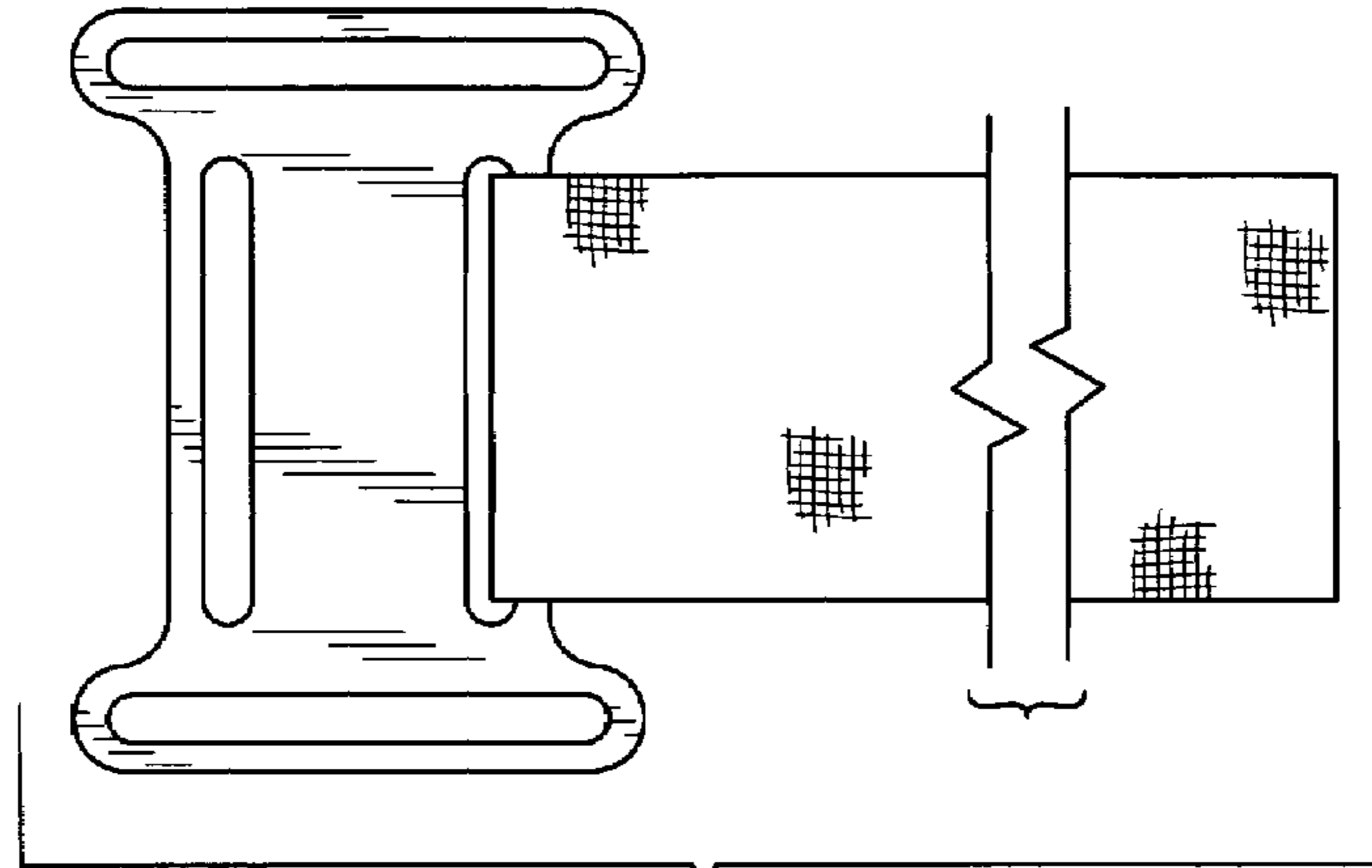
*FIG. 2*



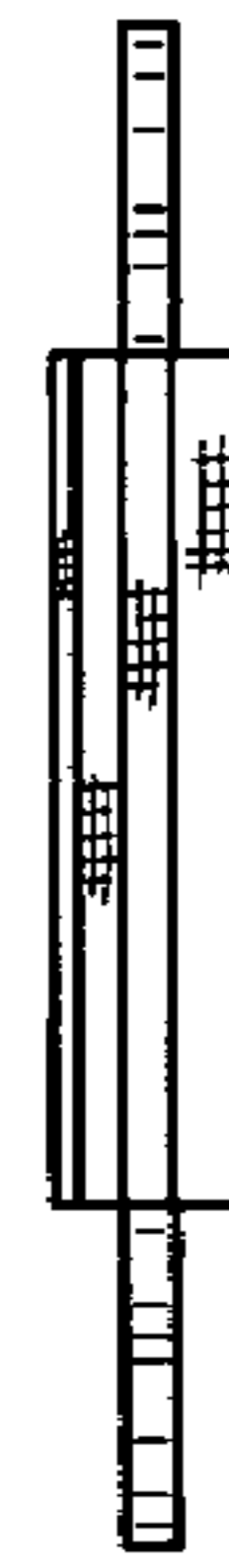
*FIG. 4*



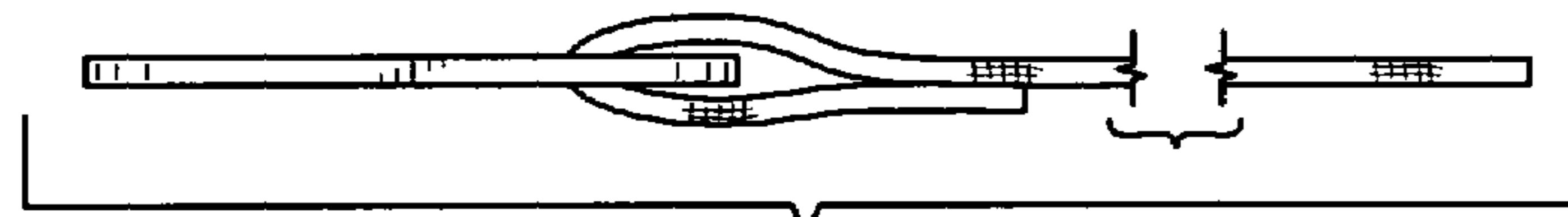
*FIG. 6*



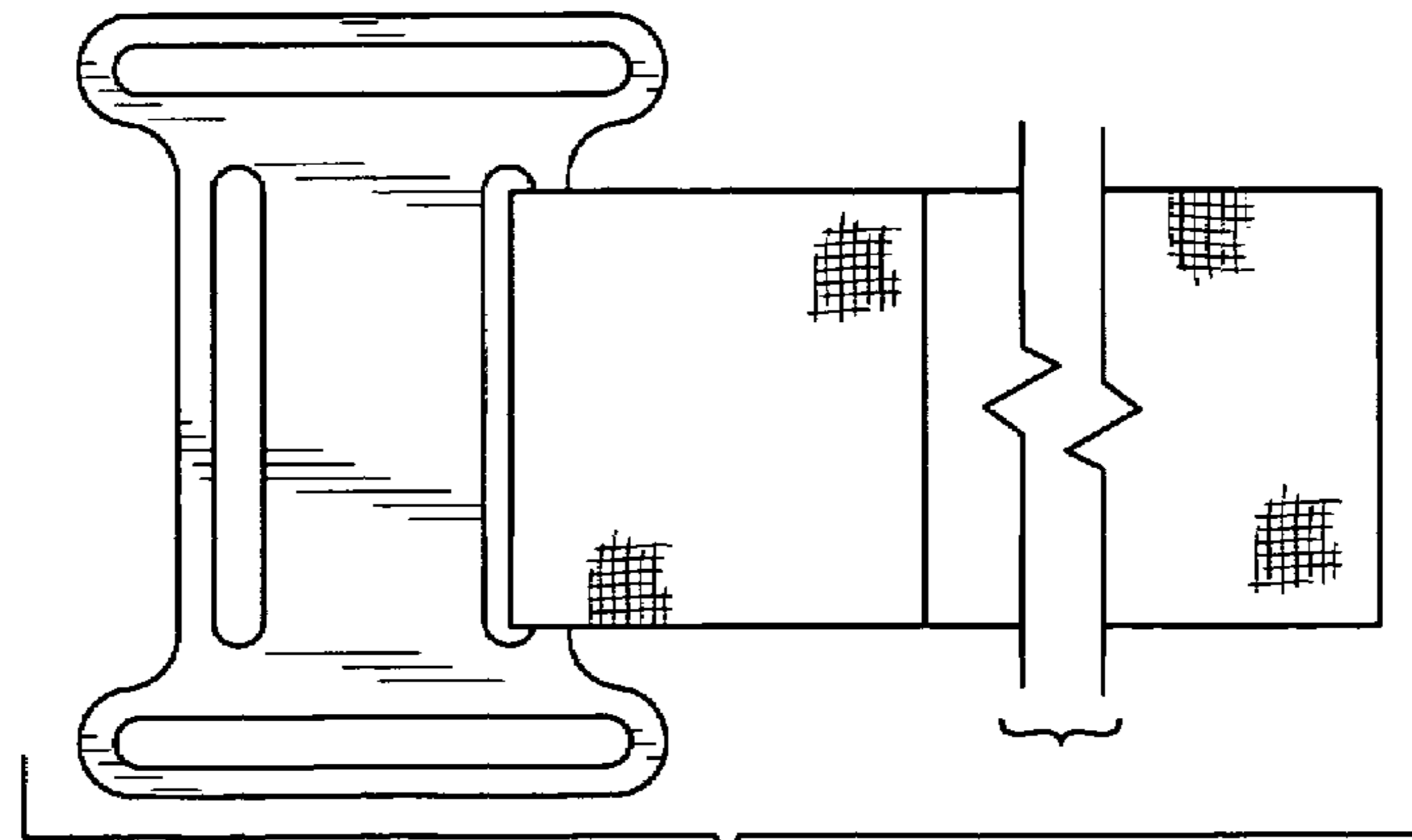
*FIG. 3*



*FIG. 7*



*FIG. 5*



*FIG. 8*