



US00D576074S

(12) **United States Design Patent**
Yoshiguchi

(10) **Patent No.:** **US D576,074 S**
(45) **Date of Patent:** **** Sep. 2, 2008**

(54) **BUCKLE**

(75) Inventor: **Manabu Yoshiguchi**, Kamakura (JP)

(73) Assignee: **Nifco Inc.**, Yokohama-Shi, Kanagawa (JP)

(**) Term: **14 Years**

(21) Appl. No.: **29/290,821**

(22) Filed: **Jan. 17, 2008**

(30) **Foreign Application Priority Data**

Jul. 25, 2007 (JP) 2007-020081

(51) **LOC (8) Cl.** **02-07**

(52) **U.S. Cl.** **D11/216**

(58) **Field of Classification Search** D11/1-2,
D11/86, 87, 200-201, 206-210, 212-216,
D11/218; 24/163 R, 169-171, 173, 177-179,
24/191, 194-195, 197, 200, 303

See application file for complete search history.

(56) **References Cited**

U.S. PATENT DOCUMENTS

D475,654 S * 6/2003 Yoshiguchi D11/216
D519,878 S * 5/2006 Anscher D11/216
D535,915 S * 1/2007 Yang D11/216
D563,268 S * 3/2008 Buscart D11/216

* cited by examiner

Primary Examiner—R. Seifert

(74) *Attorney, Agent, or Firm*—Manabu Kanesaka

(57) **CLAIM**

The ornamental design for a buckle, as shown and described.

DESCRIPTION

FIG. 1 is a perspective view of a buckle showing my new design;

FIG. 2 is a front view thereof;

FIG. 3 is a rear view thereof;

FIG. 4 is a plan view thereof; a bottom view being symmetrical to the plan view;

FIG. 5 is a right side view thereof;

FIG. 6 is a left side view thereof;

FIG. 7 is a sectional view thereof taken along line 7—7 in FIG. 4;

FIG. 8 is another sectional view thereof taken along line 8—8 in FIG. 2;

FIG. 9 is a perspective view of a male member of the buckle;

FIG. 10 is a front view of the male member of the buckle;

FIG. 11 is a rear view of the male member of the buckle;

FIG. 12 is a plan view of the male member of the buckle;

FIG. 13 is a right side view of the male member of the buckle;

FIG. 14 is a left side view of the male member of the buckle;

FIG. 15 is a perspective view of a female member of the buckle;

FIG. 16 is a front view of the female member of the buckle;

FIG. 17 is a rear view of the female member of the buckle;

FIG. 18 is a plan view of the female member of the buckle;

FIG. 19 is a right side view of the female member of the buckle; and,

FIG. 20 is a left side view of the female member of the buckle.

1 Claim, 8 Drawing Sheets

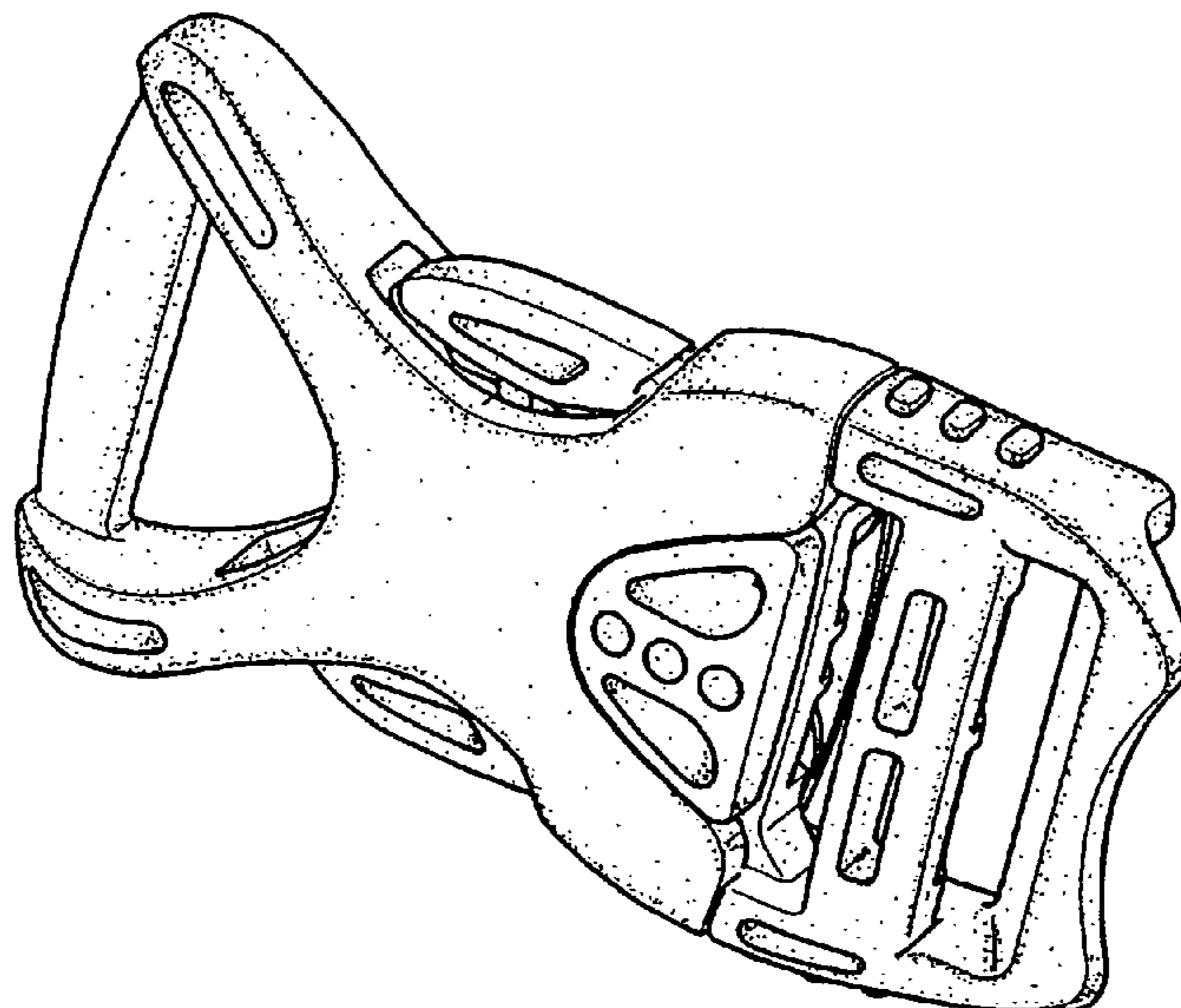


Fig. 1

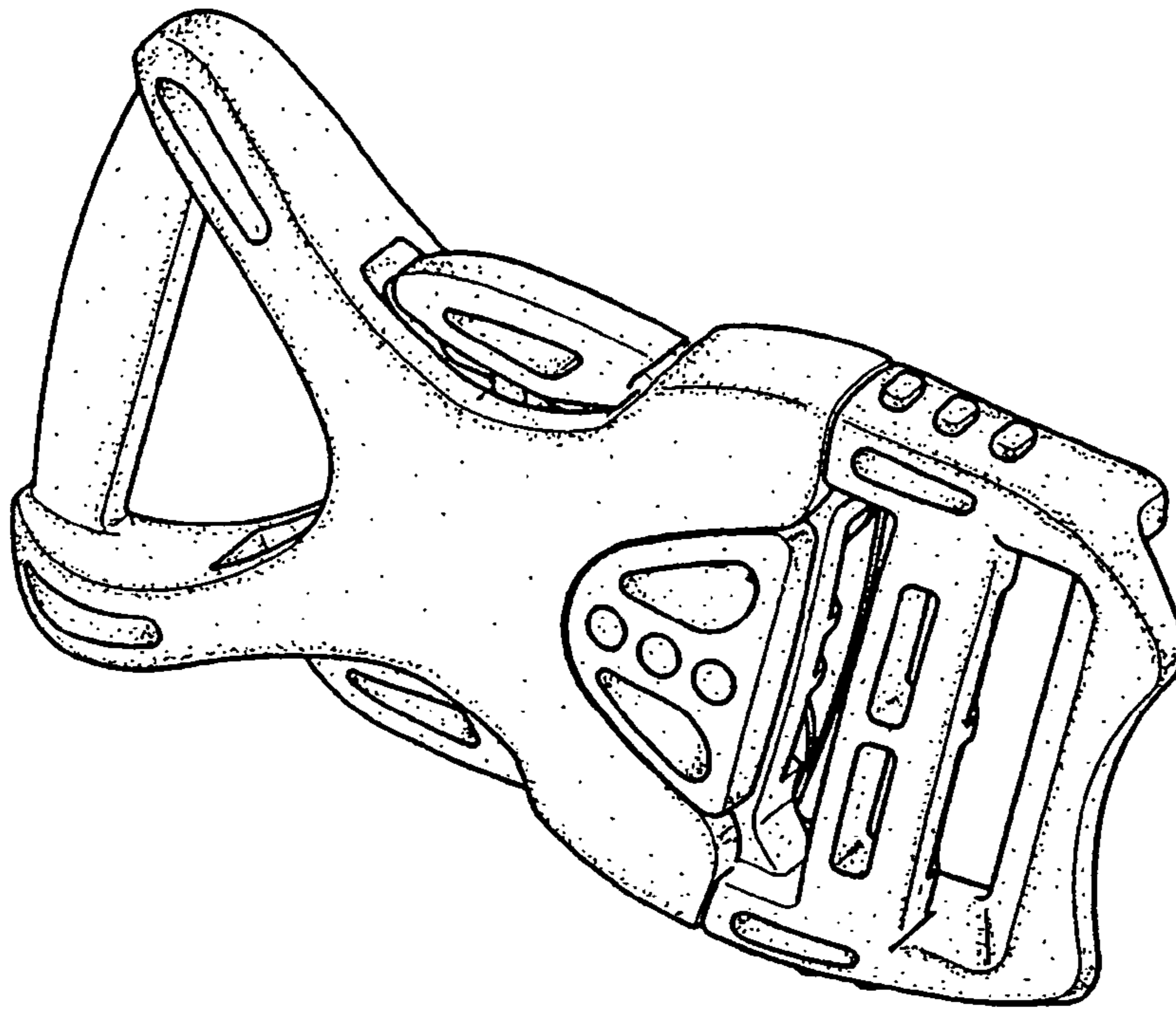


Fig. 2

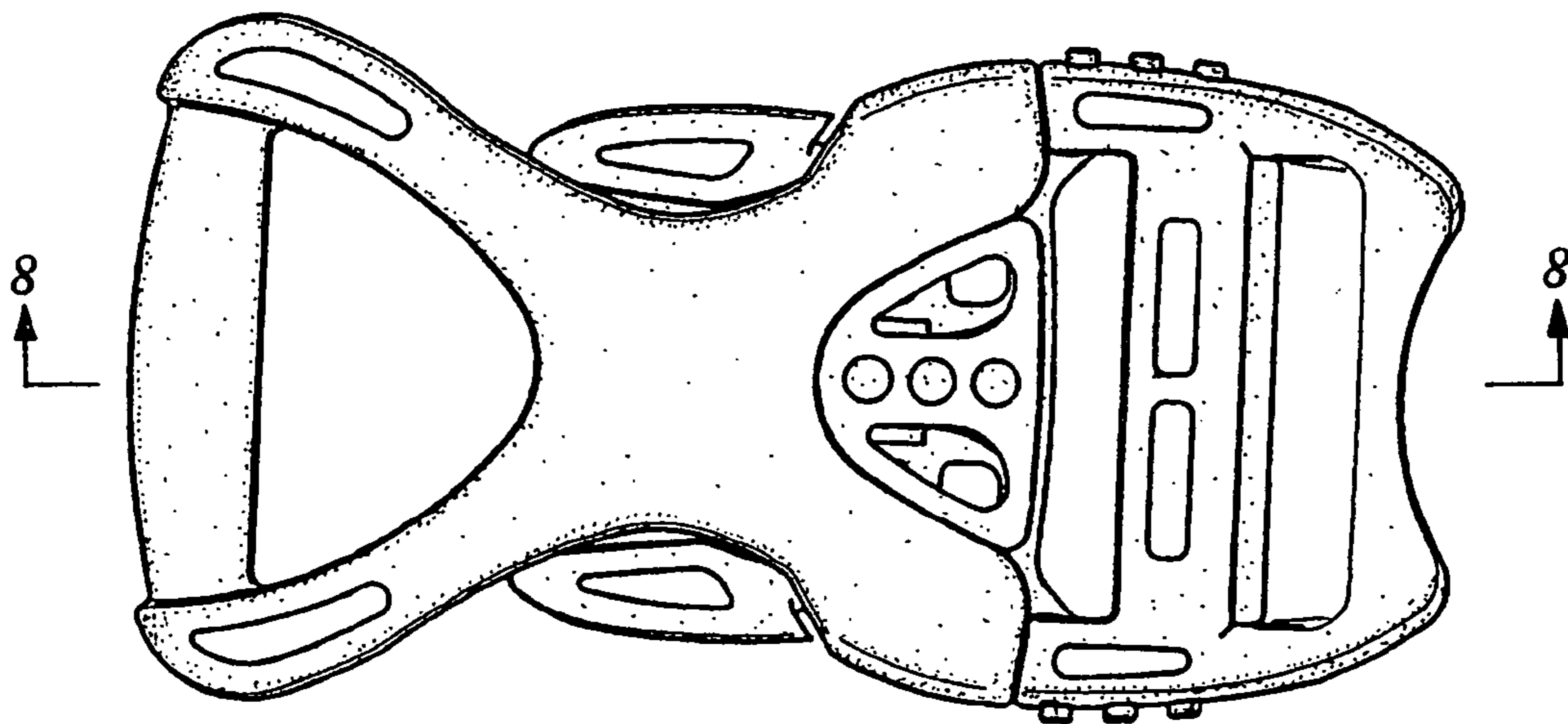


Fig. 3

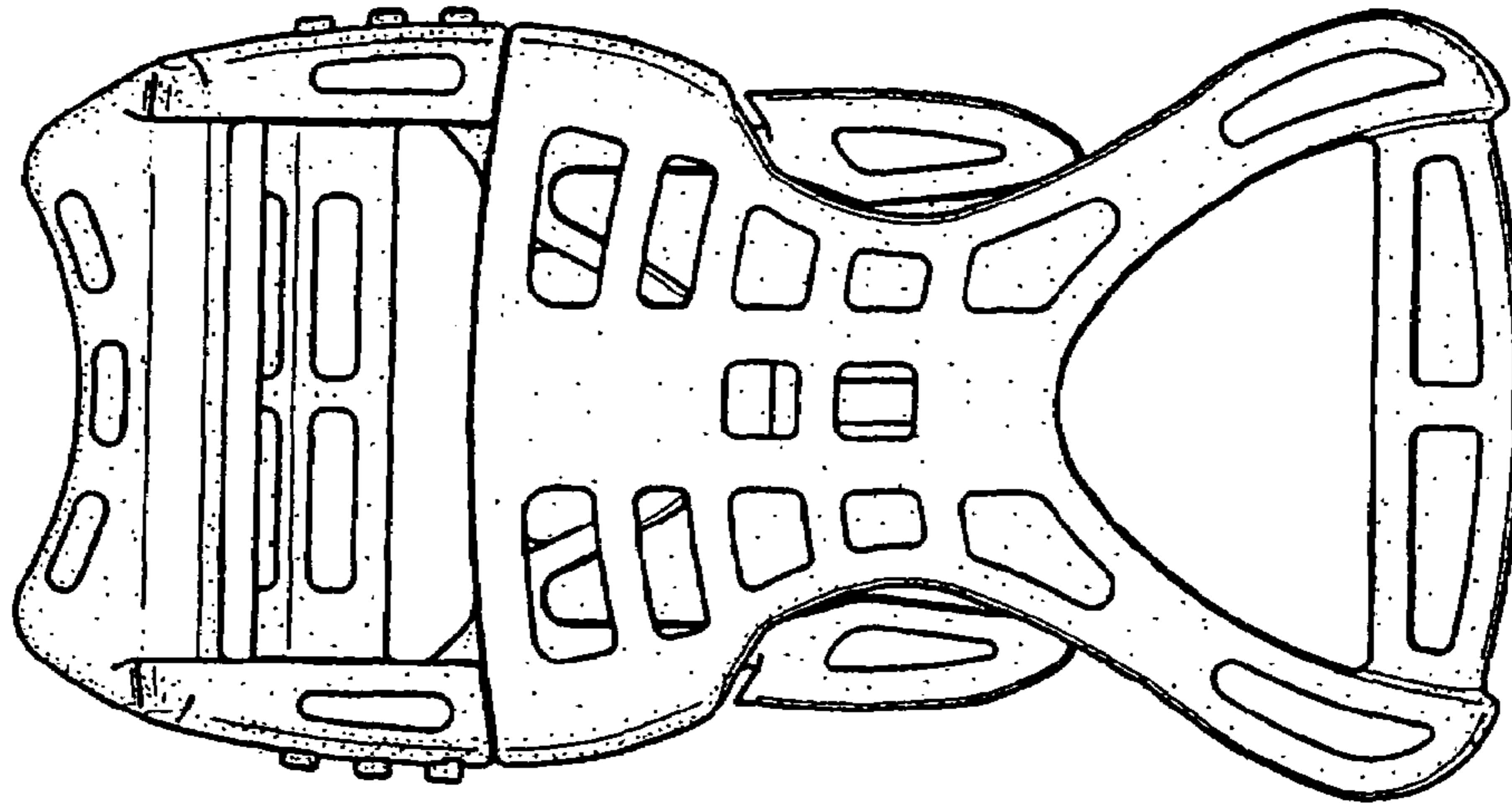


Fig. 4

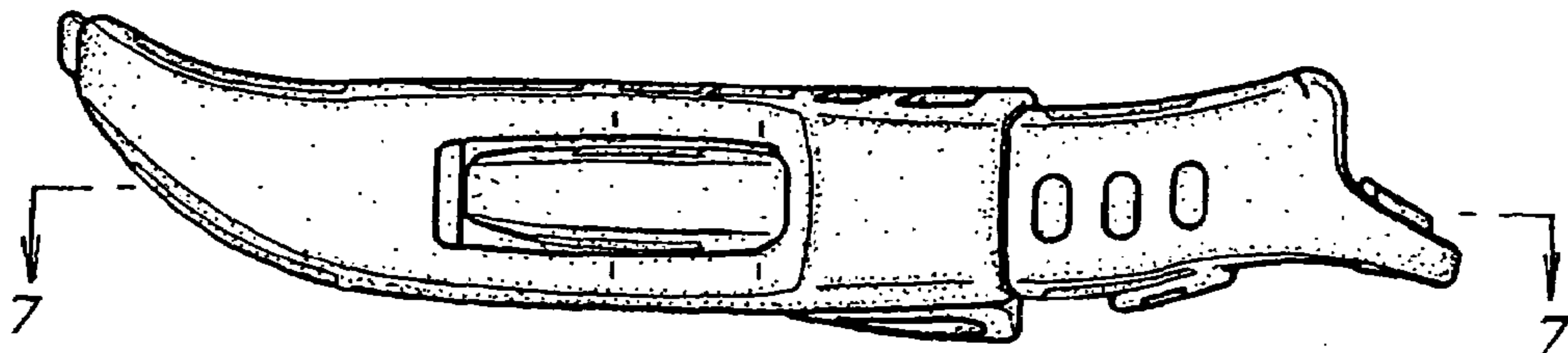


Fig. 5

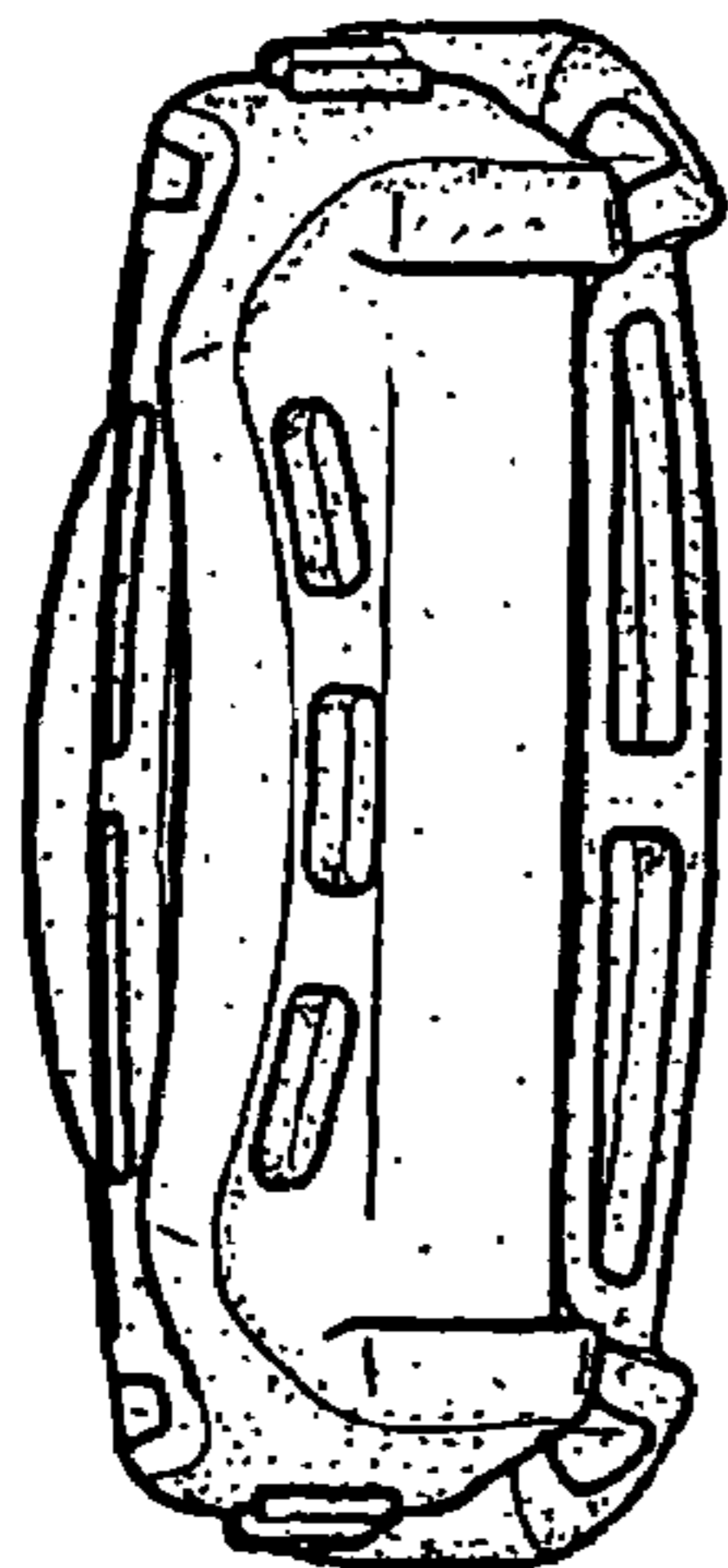


Fig. 6

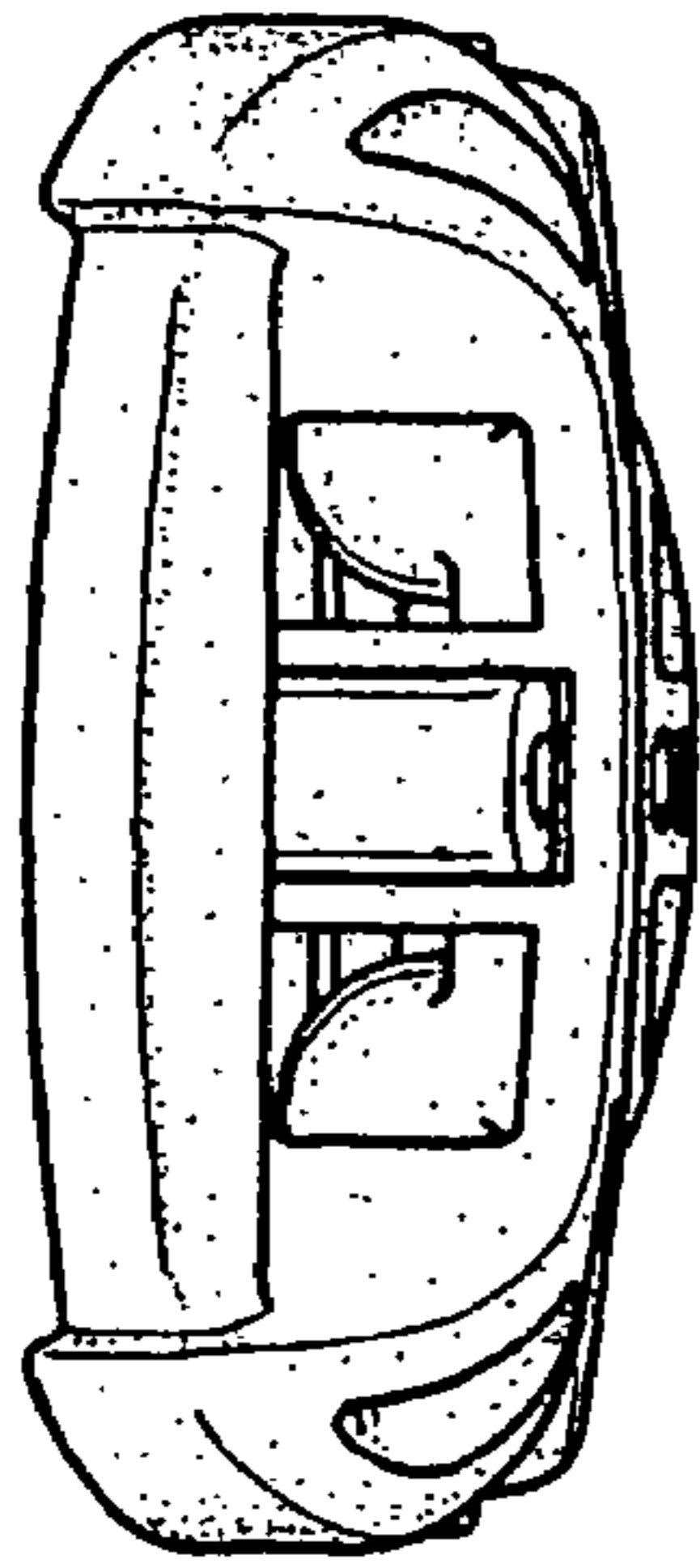


Fig. 7

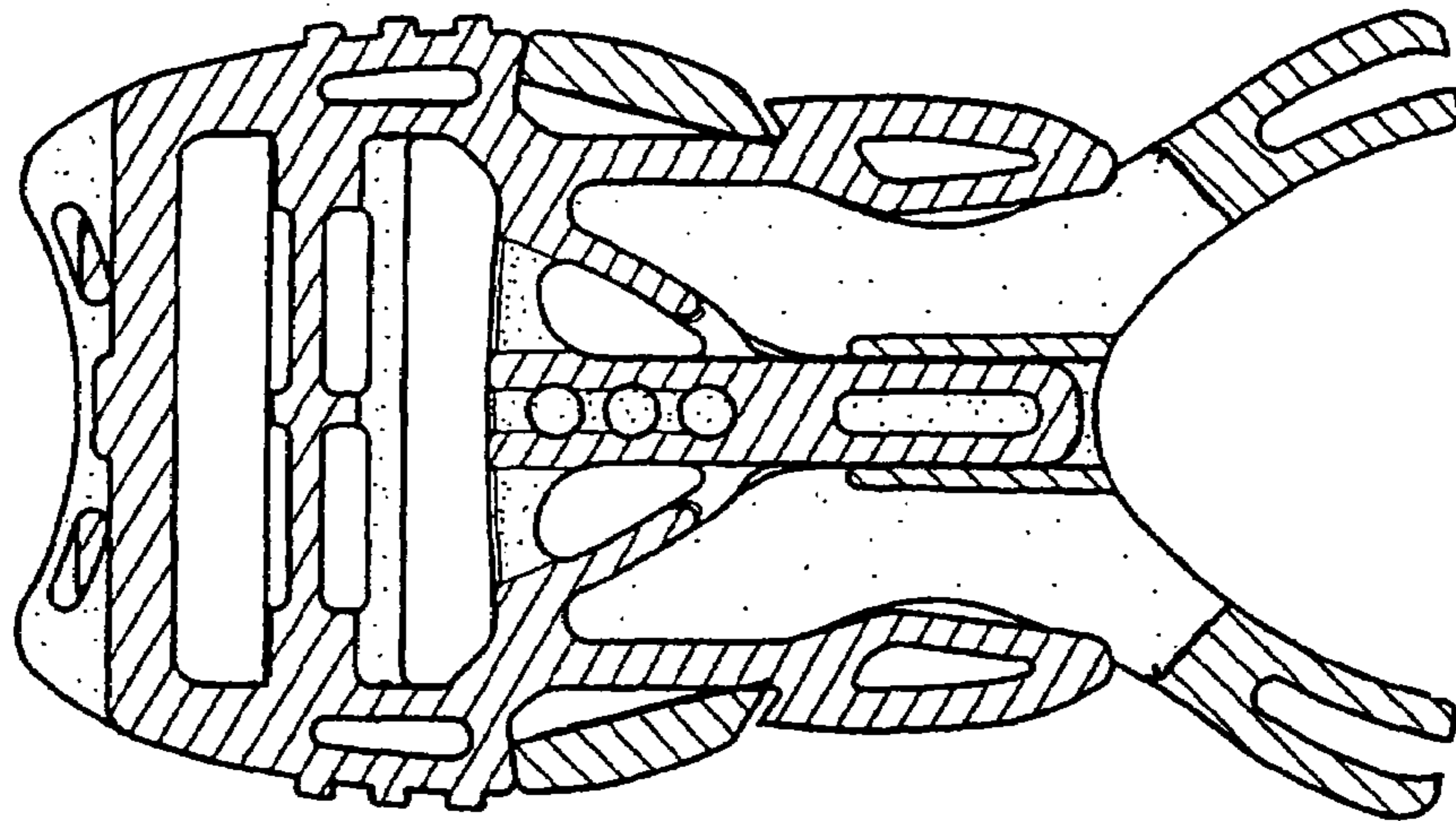


Fig. 8

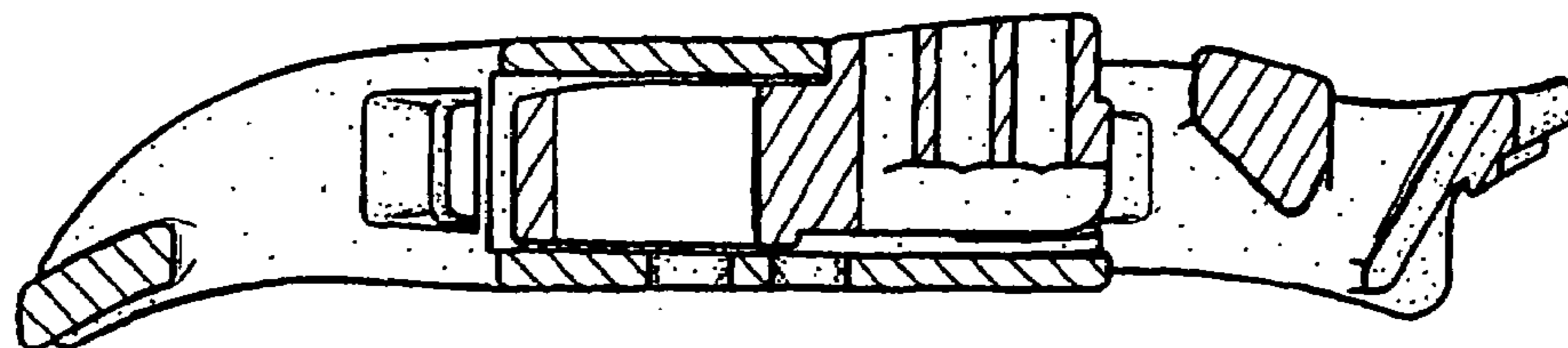


Fig. 9

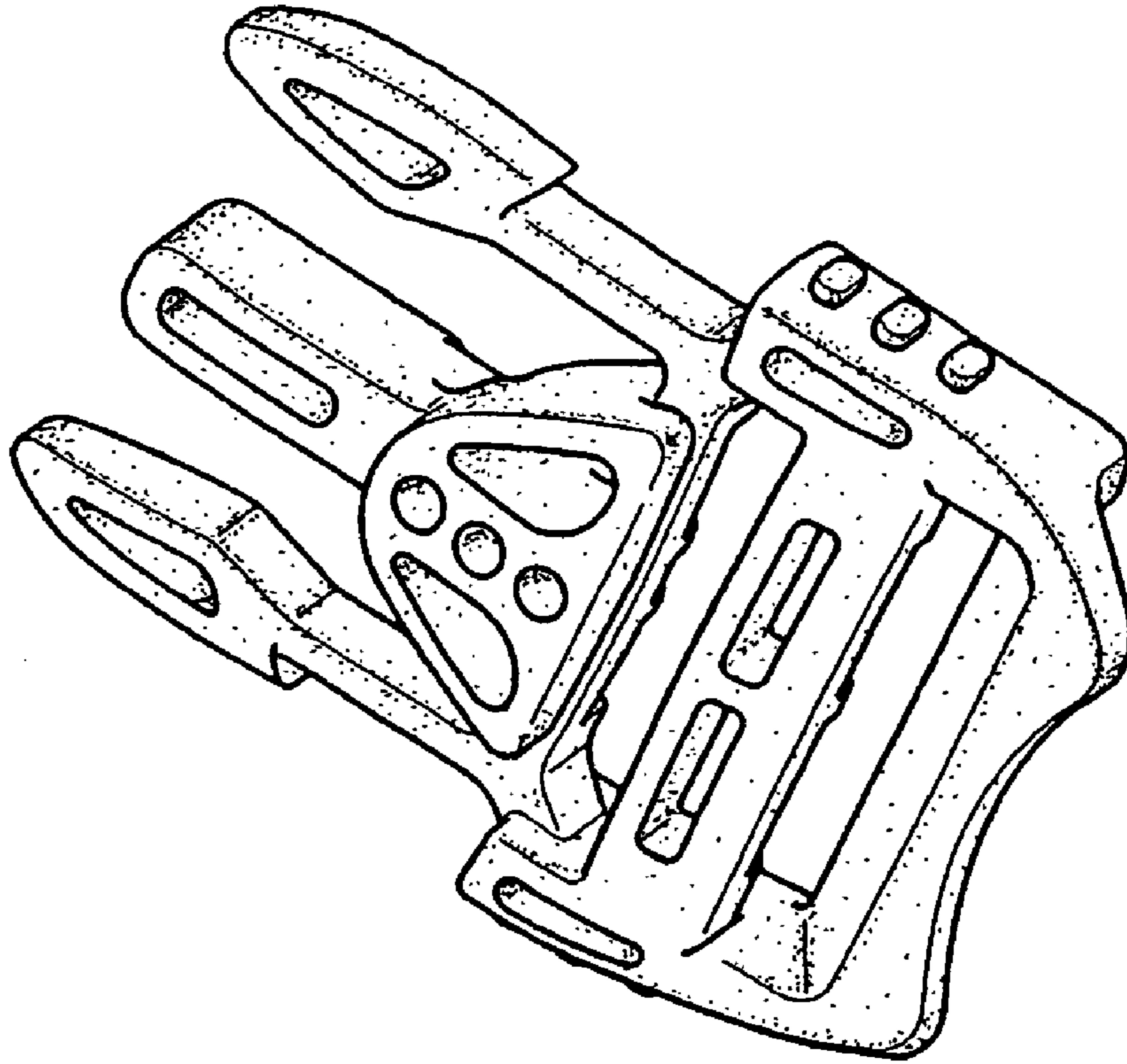


Fig. 10

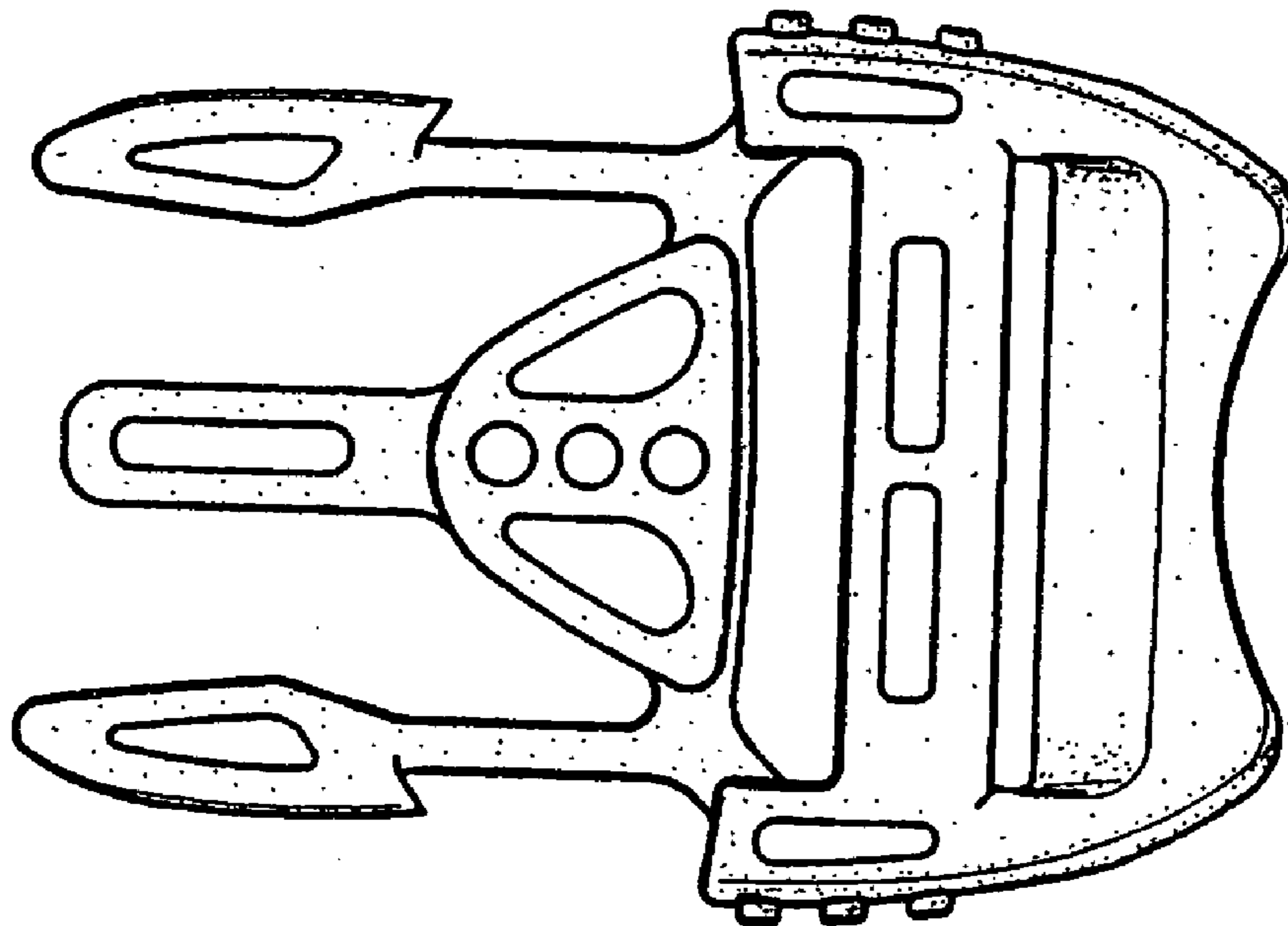


Fig. 11

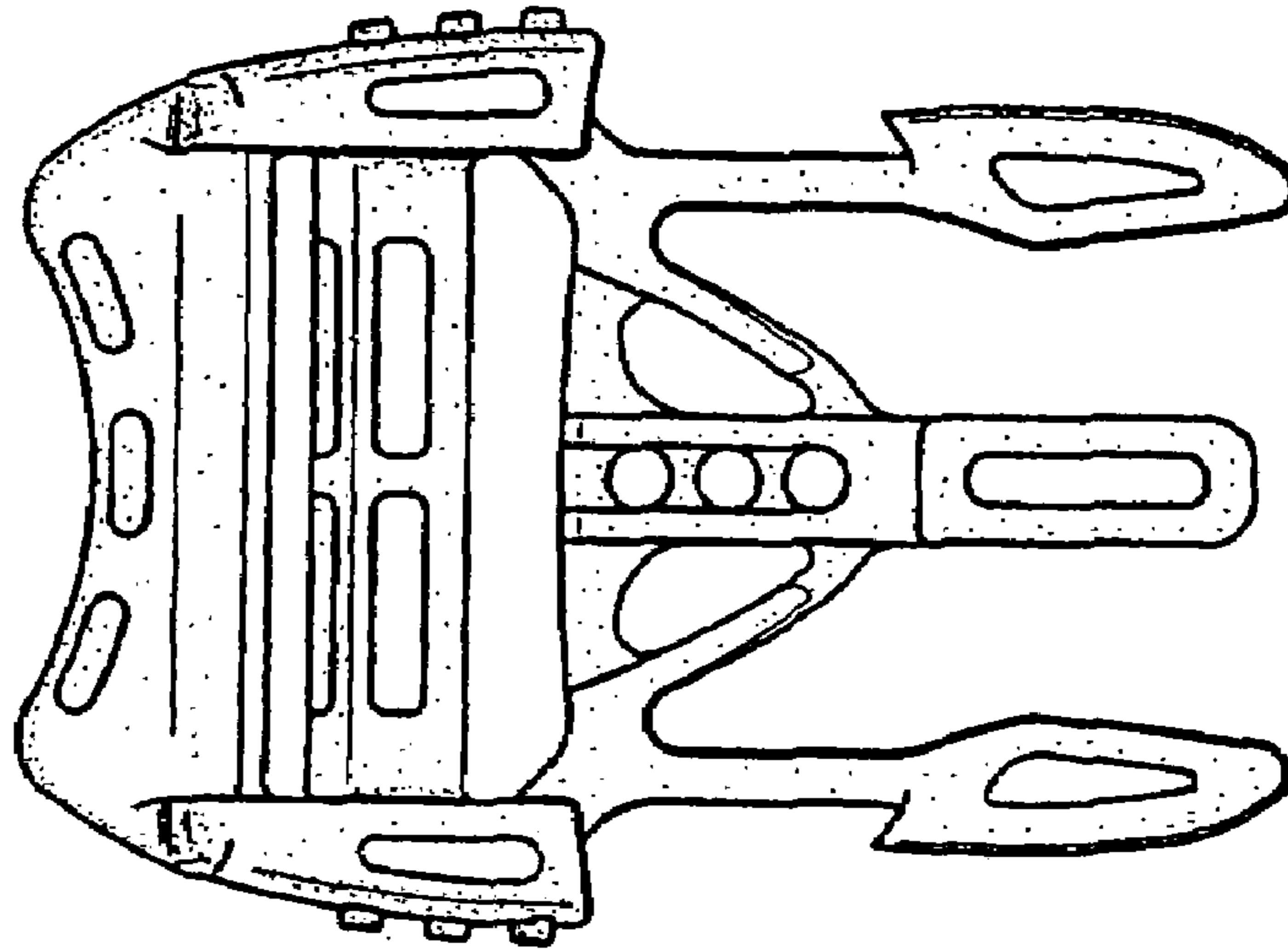


Fig. 12

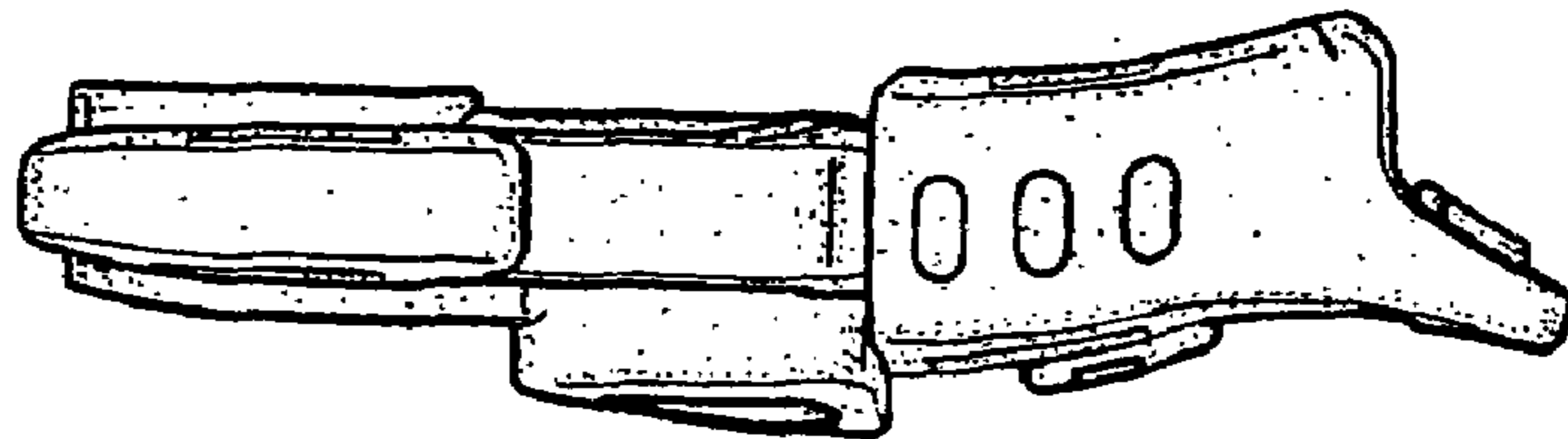


Fig. 13

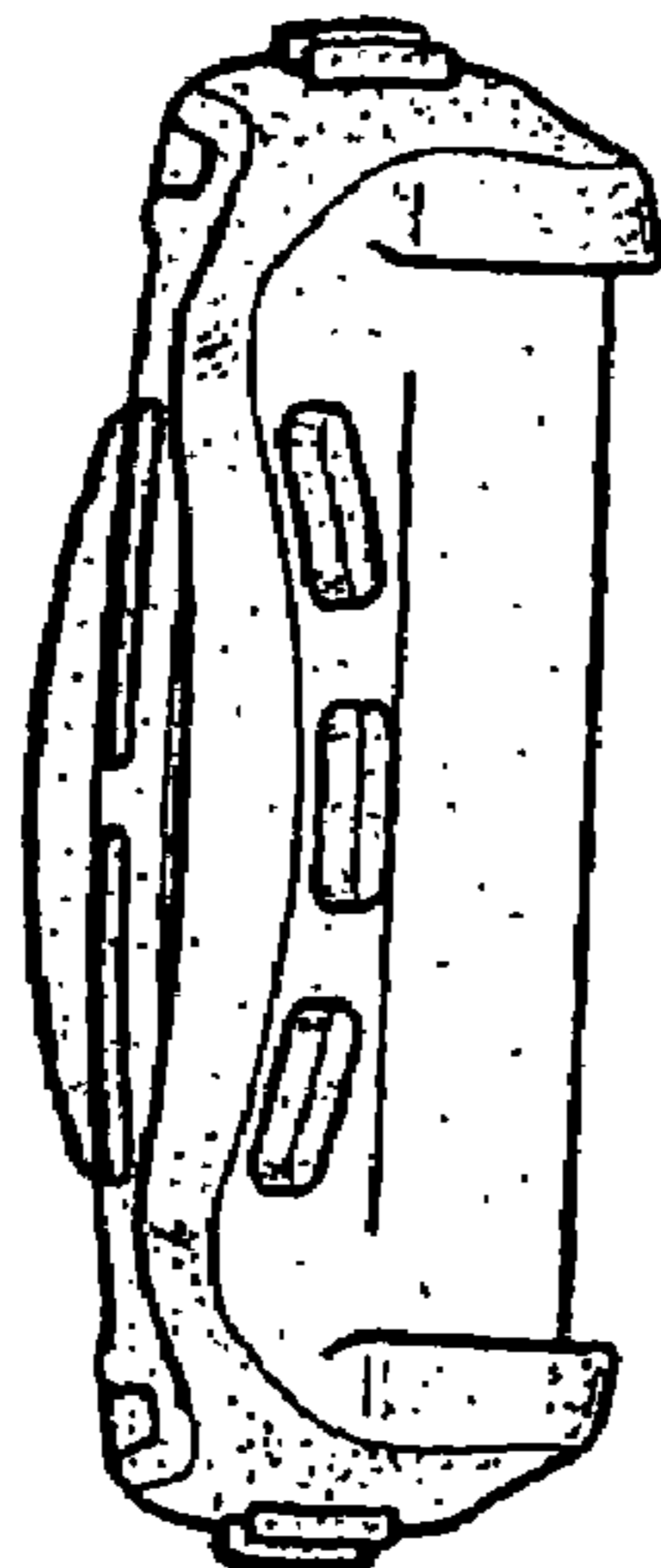


Fig. 14

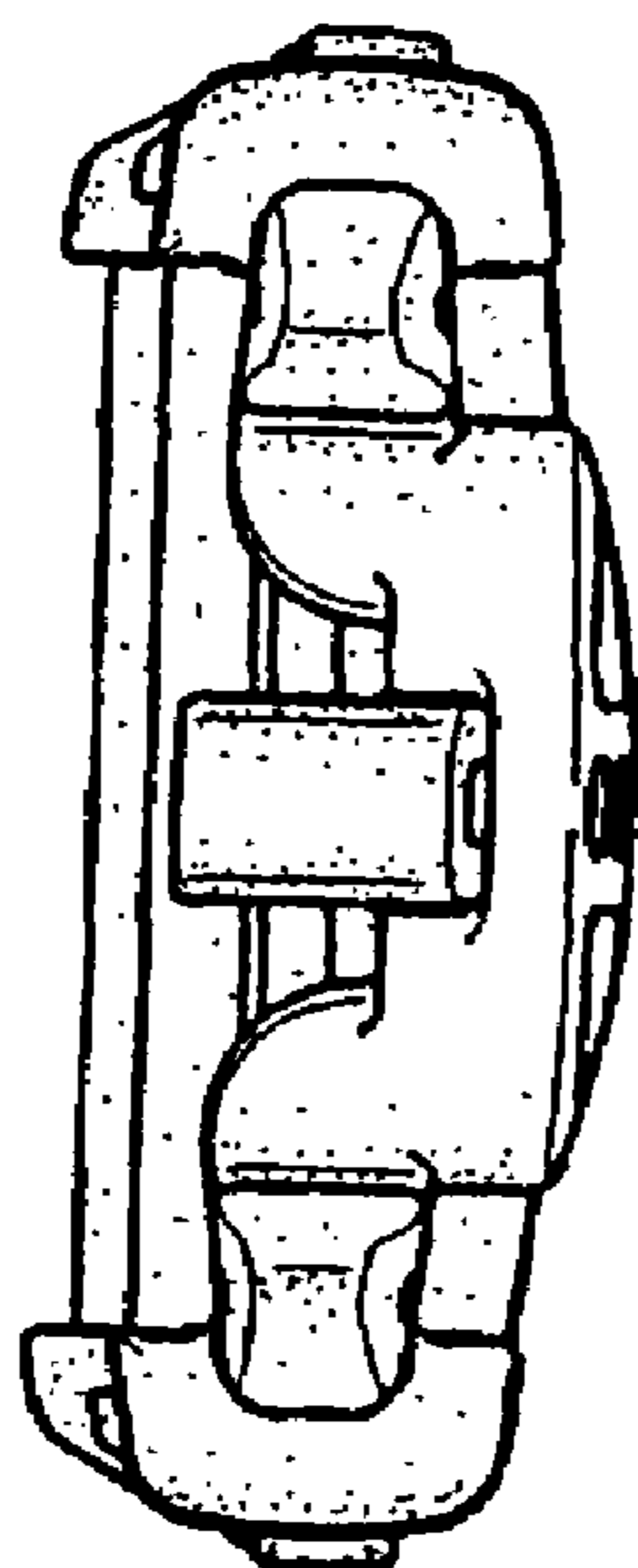


Fig. 15

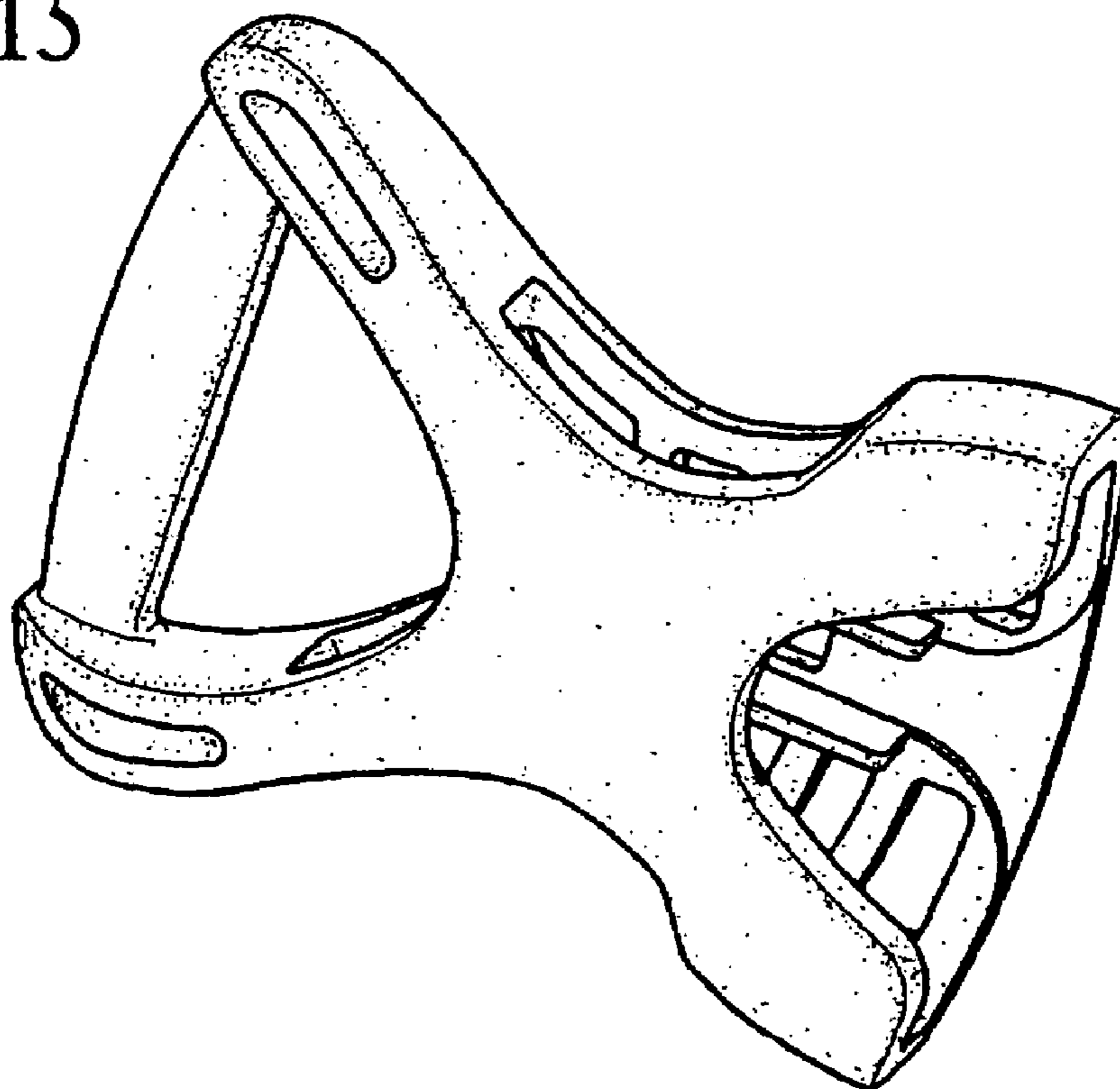


Fig. 16

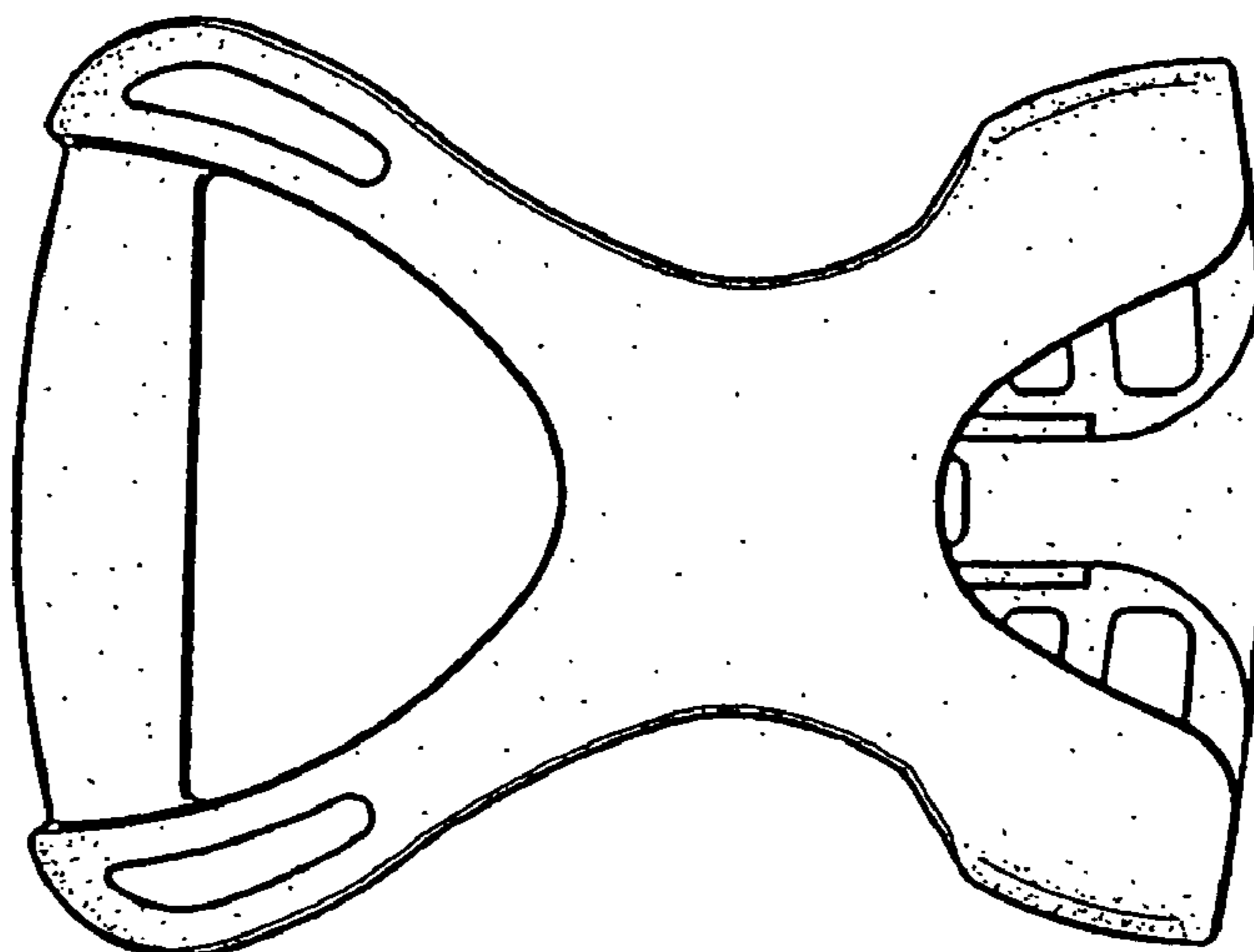


Fig. 17

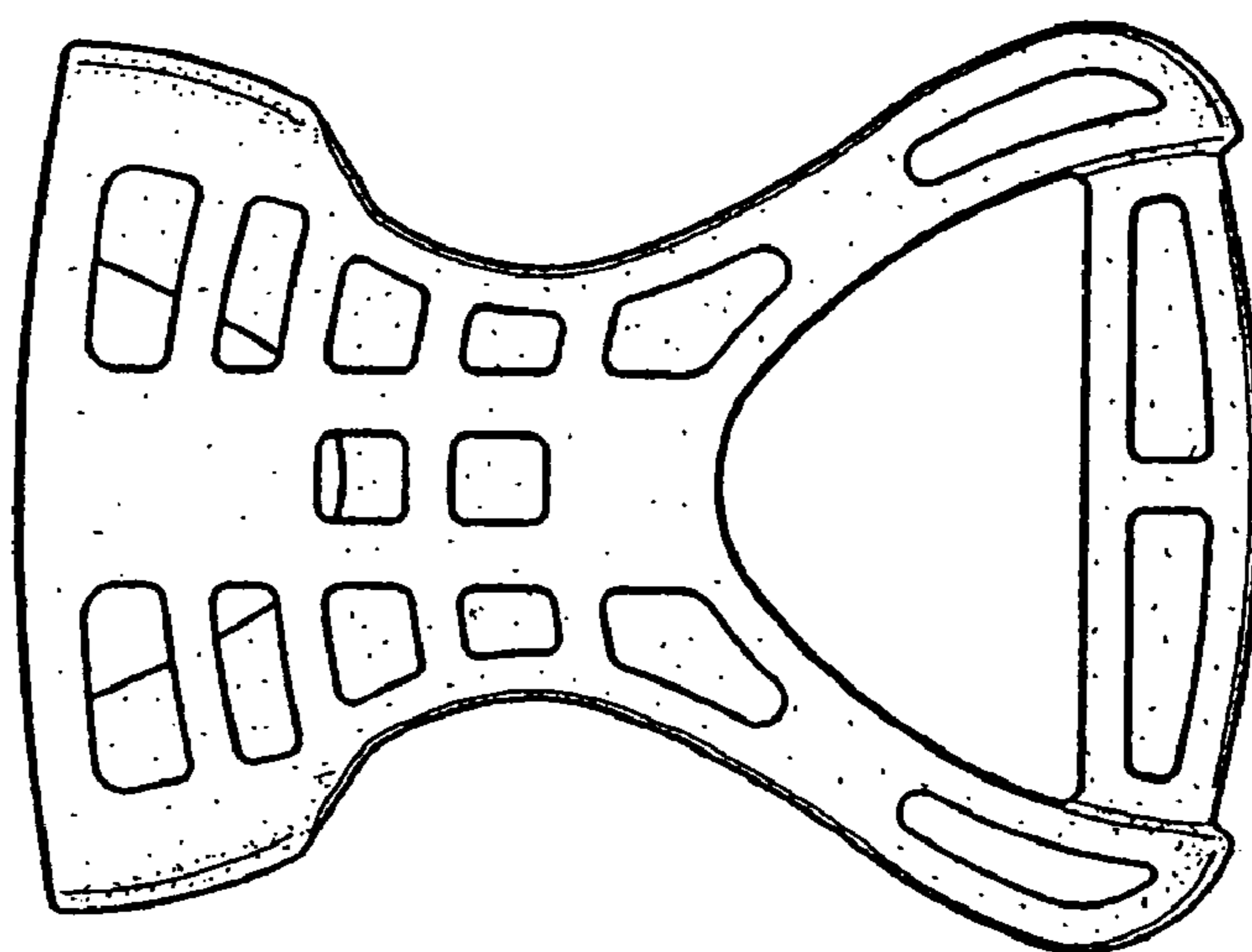


Fig. 18

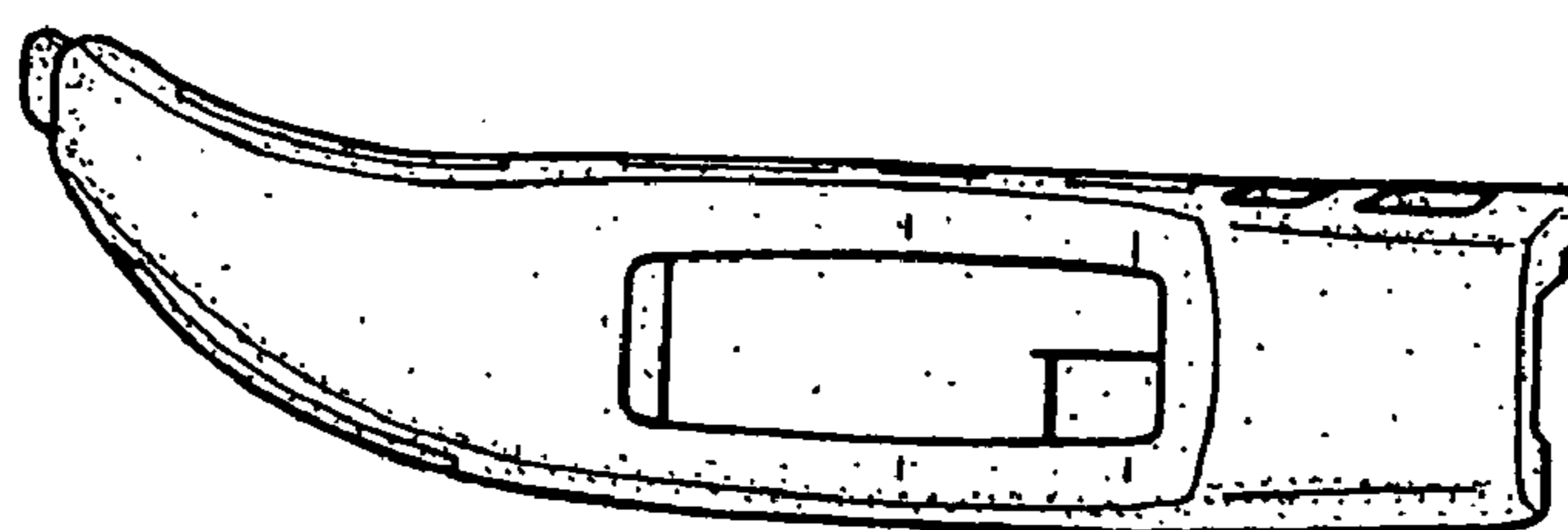


Fig. 19

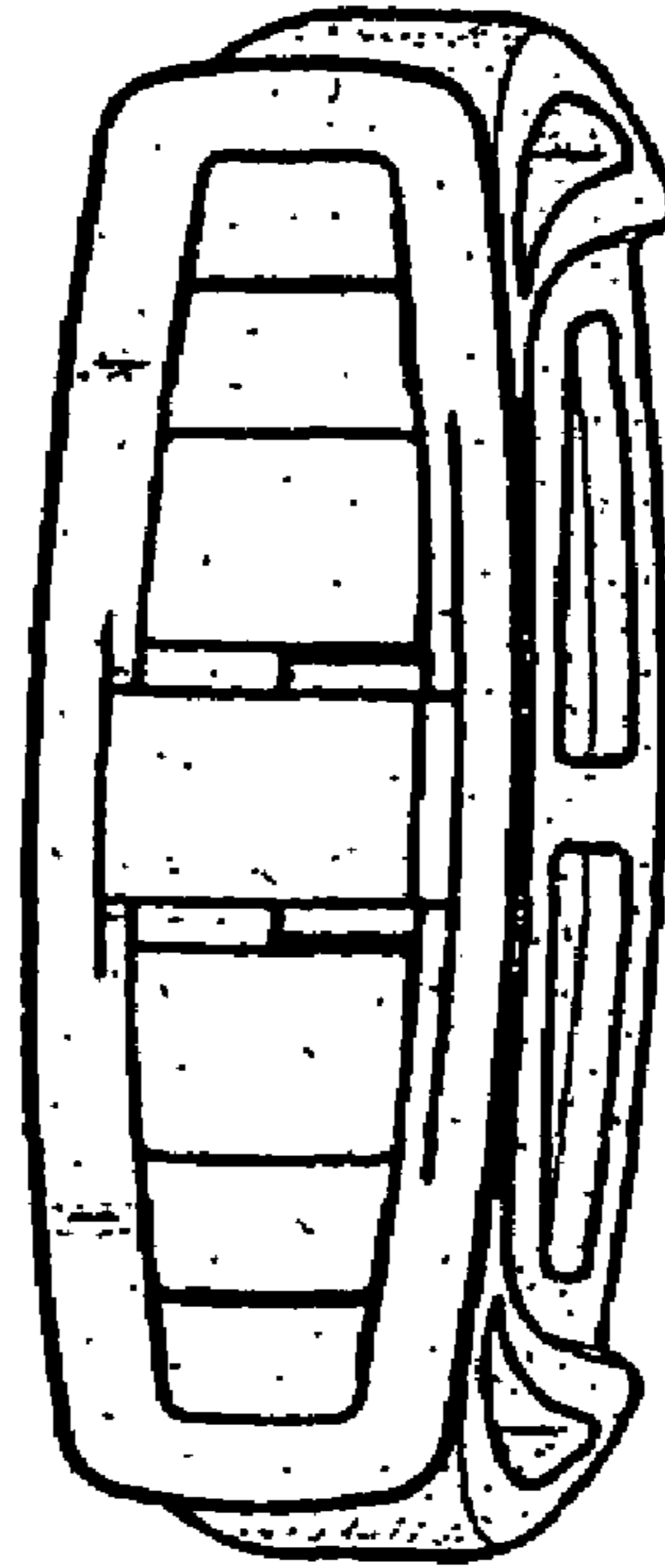


Fig. 20

