



US00D576073S

(12) **United States Design Patent**
Paniccia

(10) **Patent No.:** **US D576,073 S**

(45) **Date of Patent:** **** Sep. 2, 2008**

(54) **HANGING BASKET**

(75) **Inventor:** **Frank G. Paniccia**, Columbus, OH (US)

(73) **Assignee:** **Panacea Products Corporation**,
Columbus, OH (US)

(**) **Term:** **14 Years**

(21) **Appl. No.:** **29/306,768**

(22) **Filed:** **Apr. 16, 2008**

(51) **LOC (8) Cl.** **11-02**

(52) **U.S. Cl.** **D11/152**

(58) **Field of Classification Search** D3/306;
D6/403-405, 556; D11/143-156; D19/77,
D19/81, 84; D25/100; D26/9; D30/108,
D30/109, 114, 119; 47/32.7, 33, 39, 41.01,
47/41.11-41.15, 44-47, 65.5, 65.9, 66.1,
47/66.2, 66.6, 66.7, 67-70

See application file for complete search history.

(56) **References Cited**

U.S. PATENT DOCUMENTS

33,774 A *	11/1861	Chamberlain	47/67
D207,330 S *	4/1967	Culpitt	D7/564
5,018,300 A *	5/1991	Chiu et al.	47/67
D393,549 S *	4/1998	Marinos	D6/403
D411,058 S *	6/1999	Sellers	D6/403

6,269,588 B1 *	8/2001	Ito	47/39
D448,320 S *	9/2001	Jones et al.	D11/148
D451,742 S *	12/2001	Jones et al.	D6/556
D460,019 S *	7/2002	Thimm	D11/148
D555,388 S *	11/2007	Yeh	D6/403

* cited by examiner

Primary Examiner—Caron D. Veynar

Assistant Examiner—Garth Rademaker

(74) *Attorney, Agent, or Firm*—Gallagher & Dawsey Co.
LPA; Michael J. Gallagher; David J. Dawsey

(57) **CLAIM**

I claim the ornamental design for a hanging basket, as shown and described.

DESCRIPTION

FIG. 1 is a top plan view of a hanging basket showing my new design;

FIG. 2 is a bottom plan view thereof;

FIG. 3 is a front elevation view thereof;

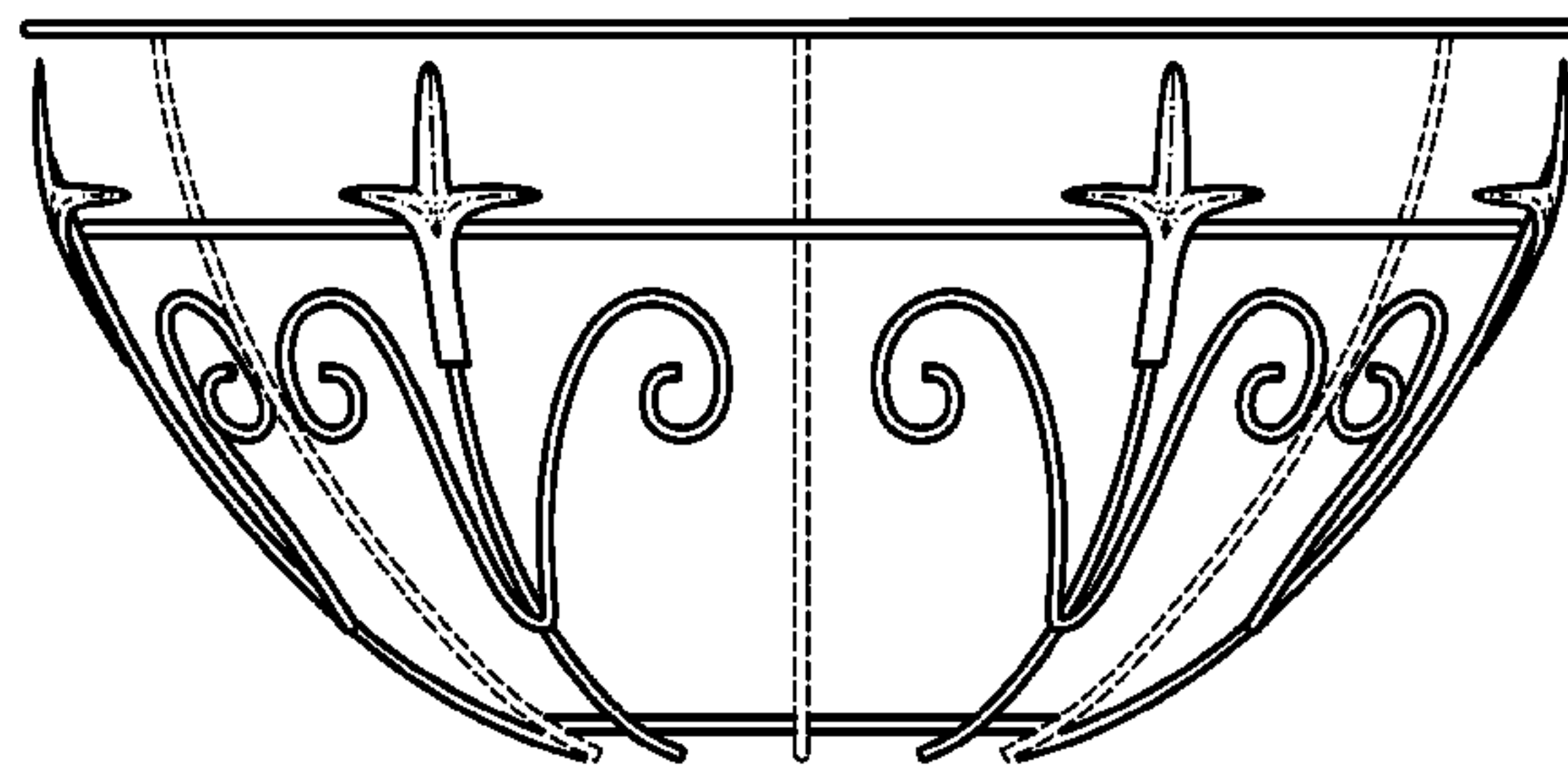
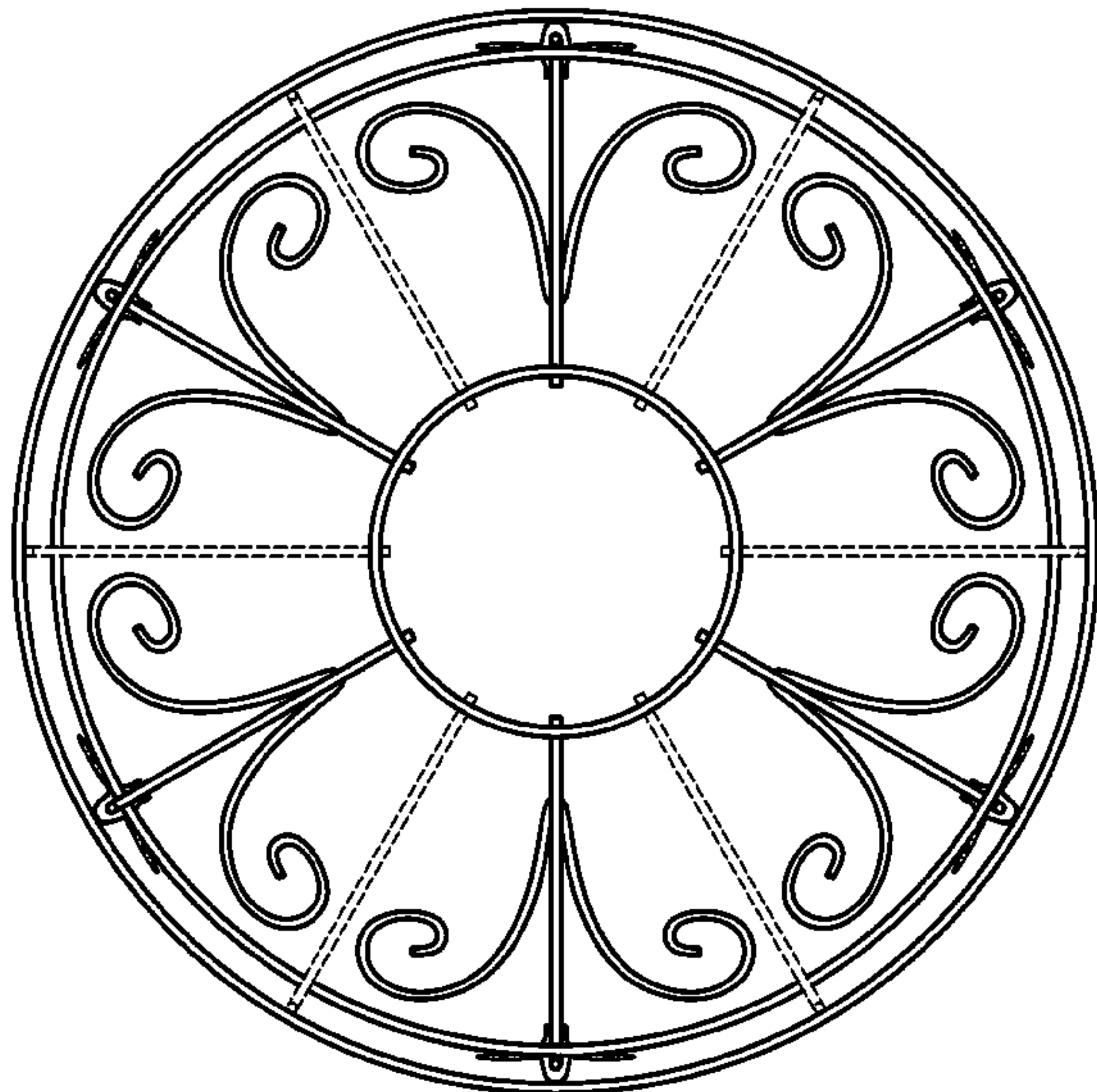
FIG. 4 is a rear elevation view thereof;

FIG. 5 is a left side elevation view thereof; and,

FIG. 6 is a right side elevation view thereof.

The broken lines depict environmental subject matter only and form no part of the claimed design.

1 Claim, 6 Drawing Sheets



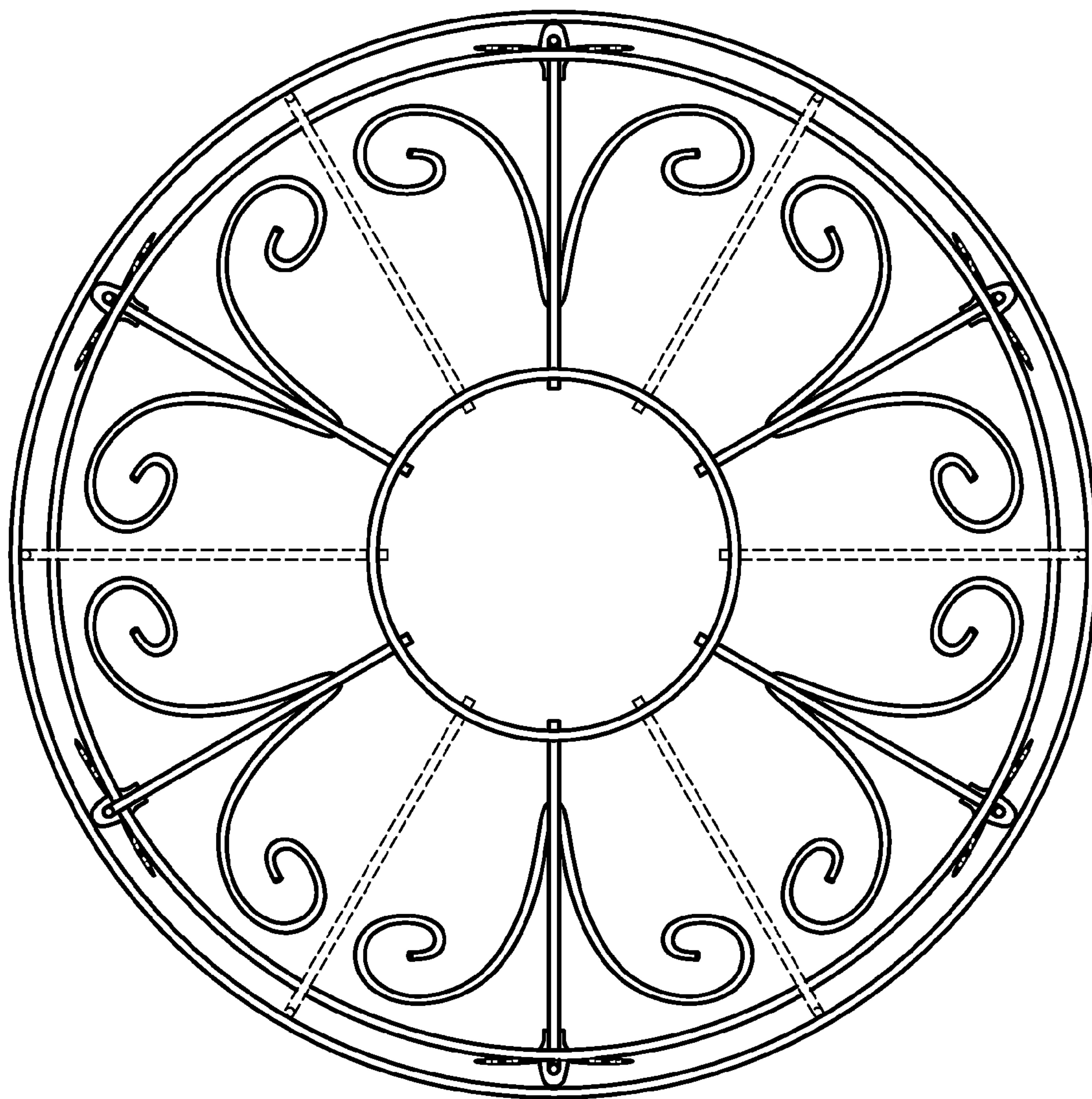


Fig. 1

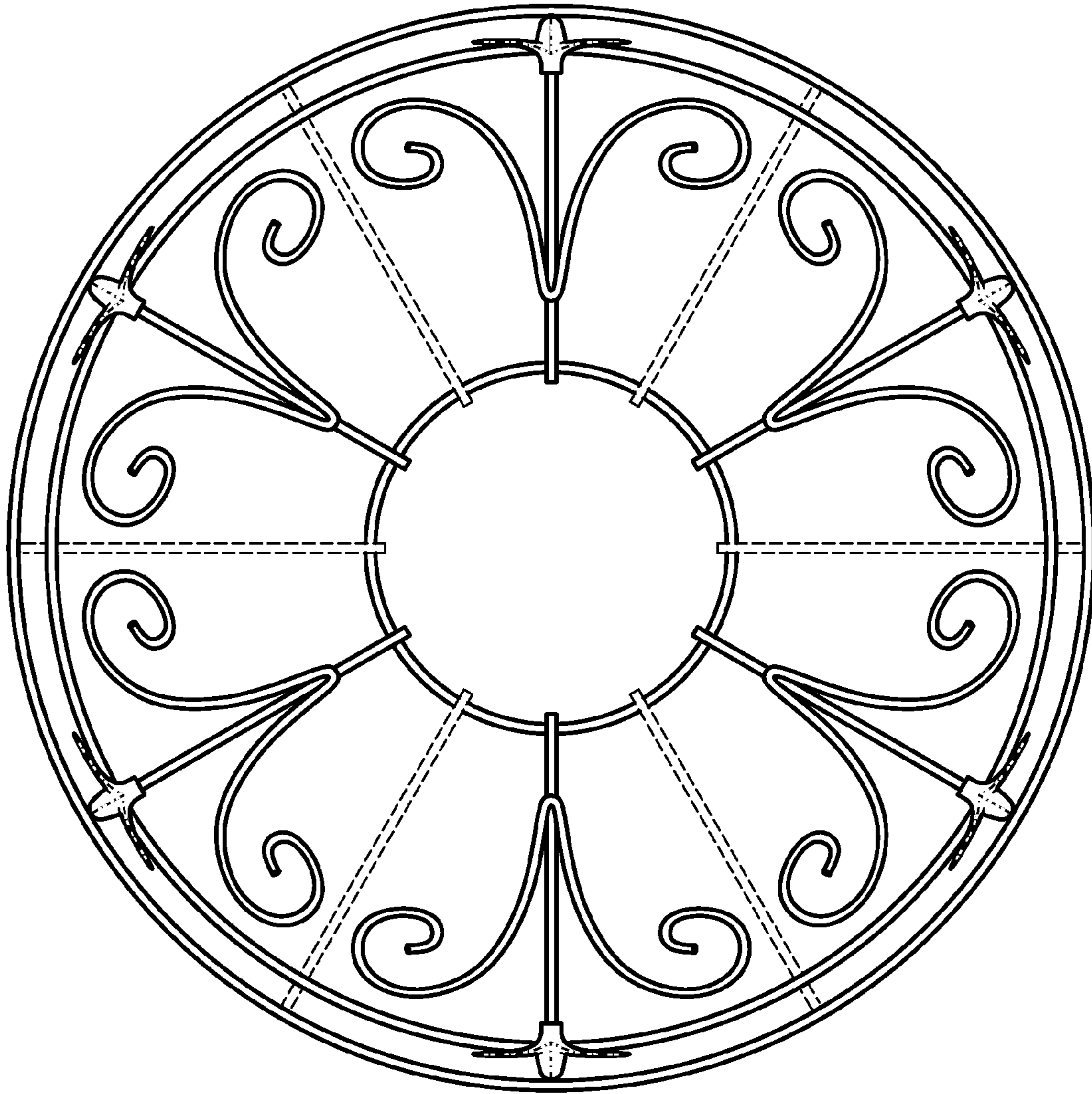


Fig. 2

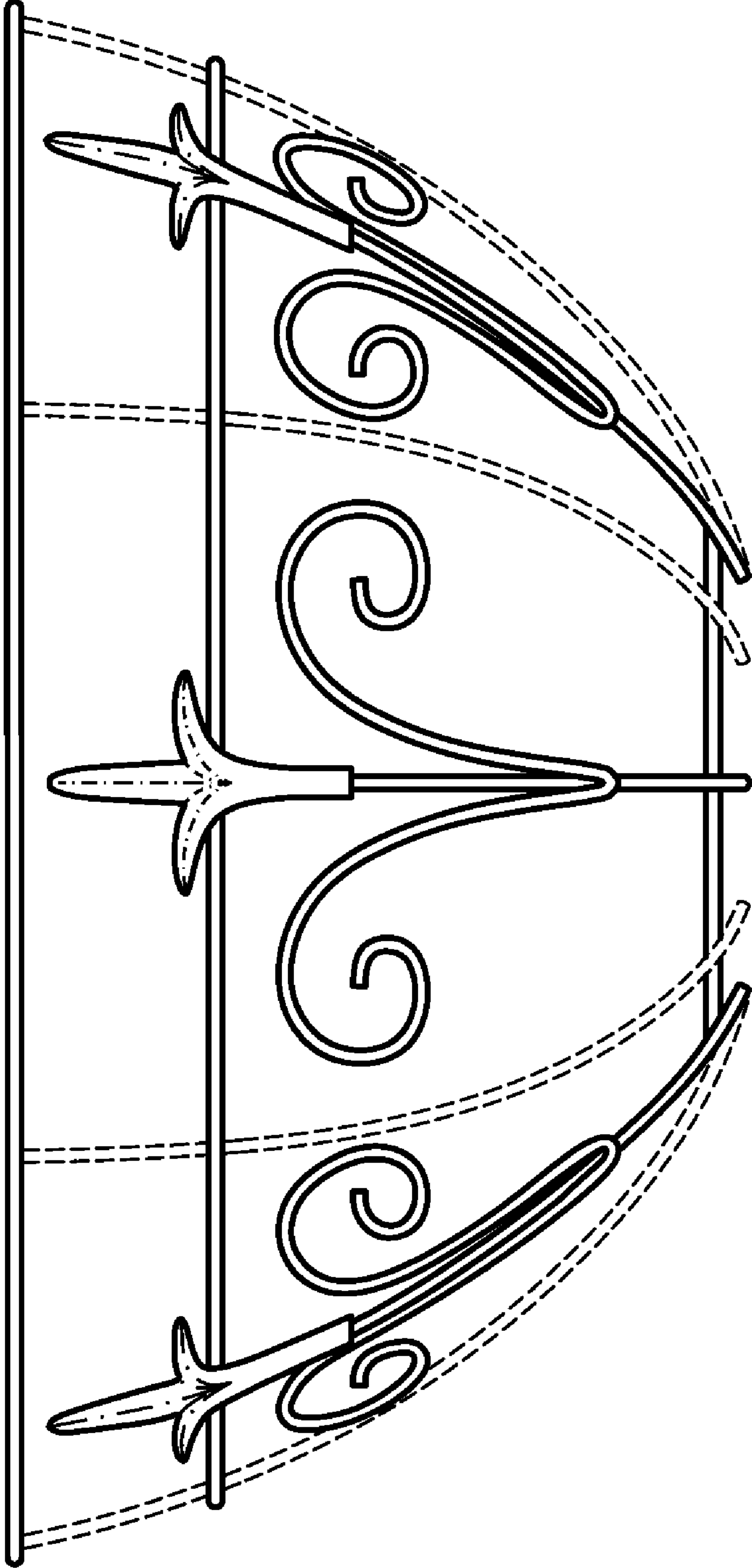


Fig. 3

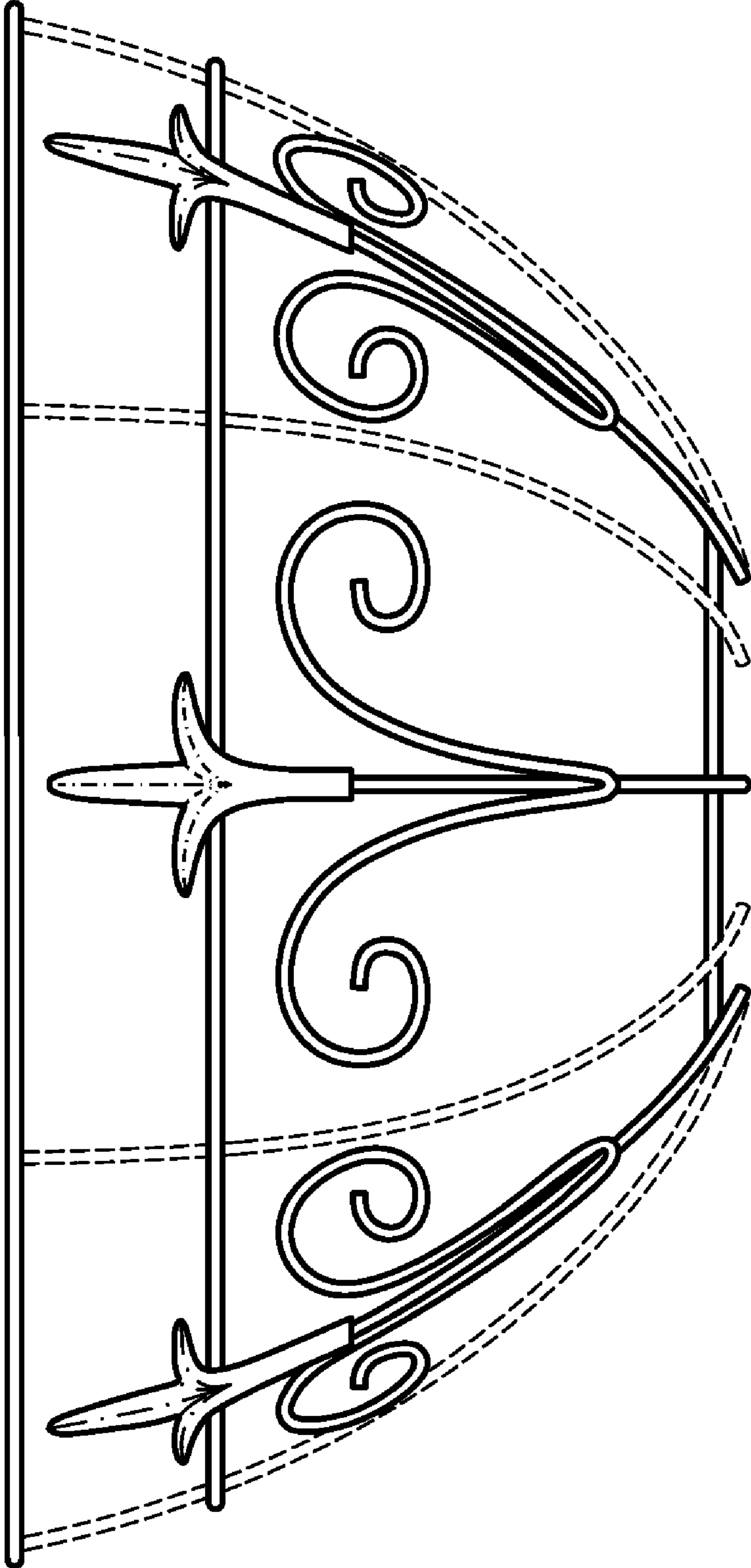


Fig. 4

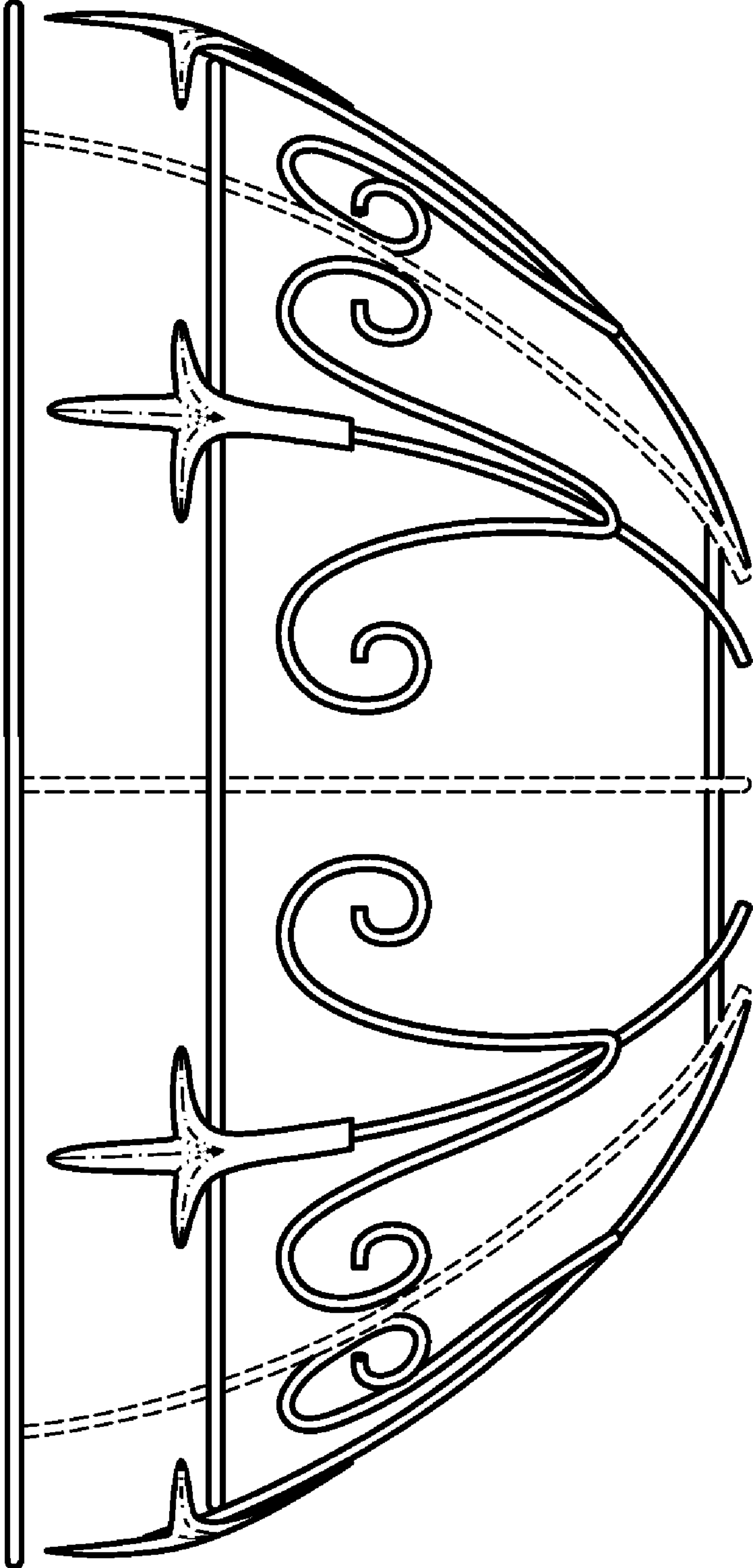


Fig. 5

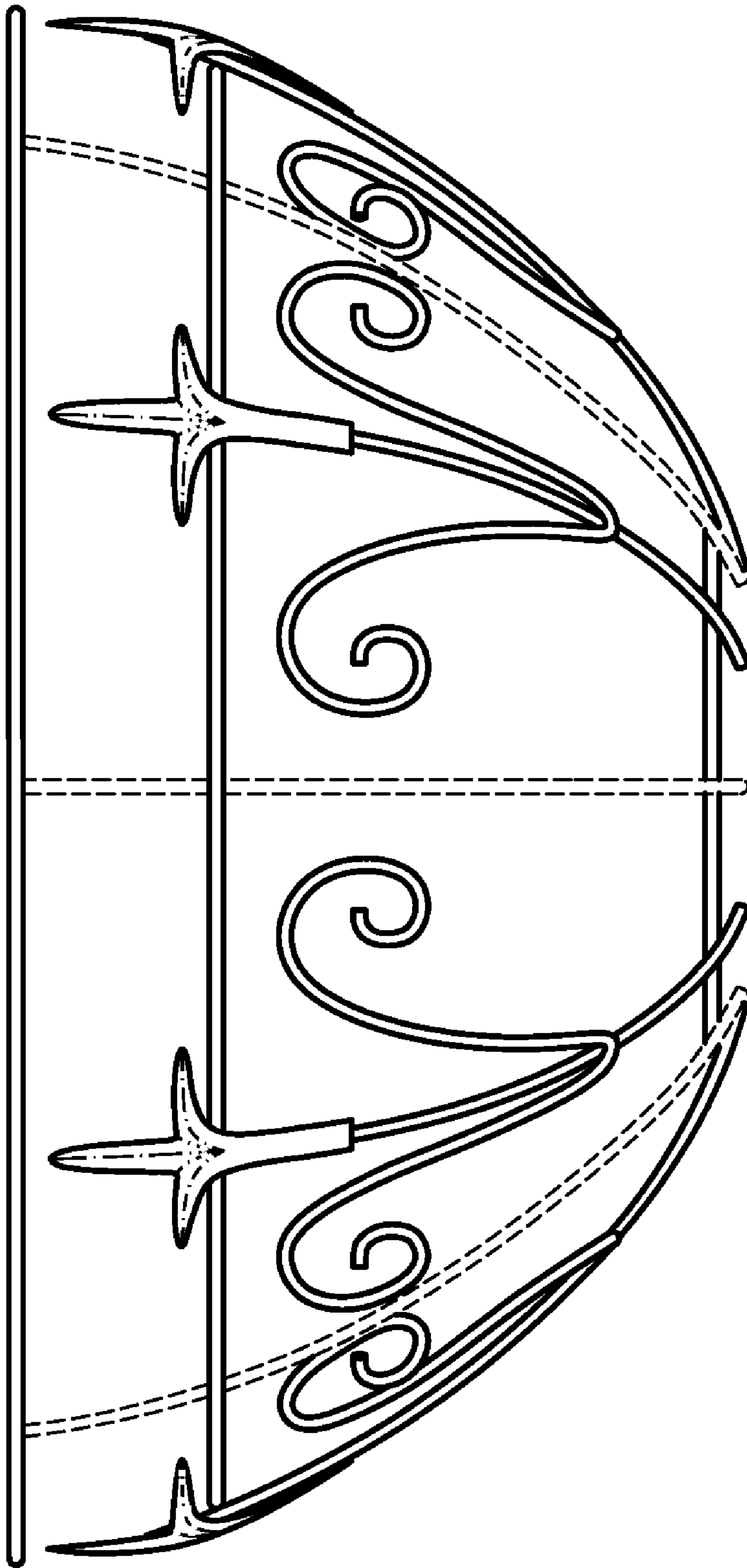


Fig. 6