



US00D576066S

(12) **United States Design Patent**
Barrickman

(10) **Patent No.:** **US D576,066 S**

(45) **Date of Patent:** **** Sep. 2, 2008**

(54) **NECKLACE**

(76) **Inventor:** **Clay Barrickman**, 1755 Lum Crowe Rd.
EXT, Roswell, GA (US) 30075-6377

(**) **Term:** **14 Years**

(21) **Appl. No.:** **29/303,546**

(22) **Filed:** **Feb. 12, 2008**

(51) **LOC (8) Cl.** **11-01**

(52) **U.S. Cl.** **D11/8**

(58) **Field of Classification Search** D11/1-25,
D11/79-81, 117-130.1; 63/3, 3.1, 3.2, 4,
63/5.1, 7, 10, 11, 15, 15.7, 18, 21, 35, 37,
63/38; 224/175

See application file for complete search history.

(56) **References Cited**

U.S. PATENT DOCUMENTS

2,228,686	A *	1/1941	Bezault	63/1.11
4,894,757	A *	1/1990	Frusha et al.	362/104
D358,562	S	5/1995	Bulgari		
D373,095	S	8/1996	Bulgari		
D499,977	S	12/2004	Graham		
7,178,930	B2	2/2007	Damrau		
7,393,113	B2 *	7/2008	Damrau	D11/6

* cited by examiner

Primary Examiner—Louis S Zarfes

Assistant Examiner—Michael A Pratt

(74) *Attorney, Agent, or Firm*—George Ronald Reardon

(57) **CLAIM**

I claim the ornamental design for a necklace, as shown and described.

DESCRIPTION

FIG. 1 is a perspective view of a necklace.

FIG. 2 is a front plan view of a necklace.

FIG. 3 is a bottom plan view of a necklace.

FIG. 4 is a top plan view of a necklace.

FIG. 5 is a left side plan view of a necklace.

FIG. 6 is a right side plan view of a necklace.

FIG. 7 is a rear plan view of a necklace.

FIG. 8 is a partial view of a necklace showing detail of the placement of an ornament element of the necklace; and,

FIG. 9 is a cross-sectional view of the ornamental element of the necklace in FIG. 8.

1 Claim, 9 Drawing Sheets





FIG. 1



FIG. 2

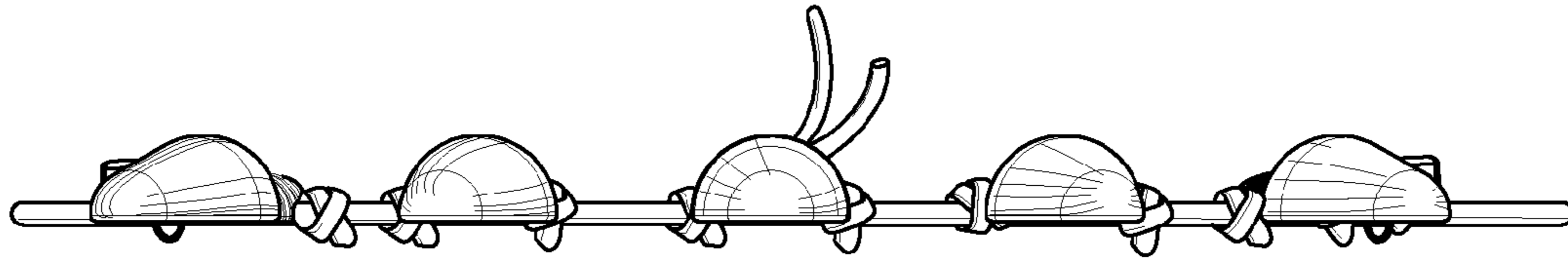


FIG. 3

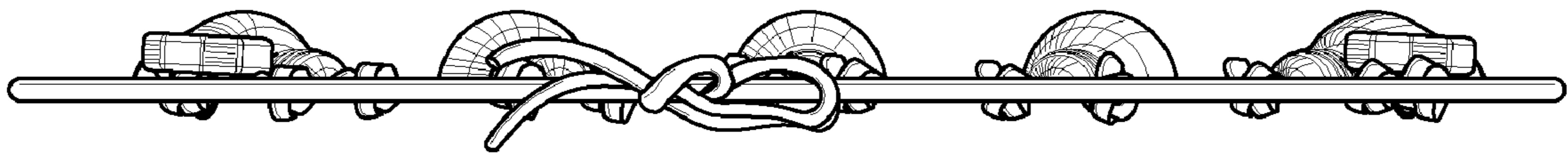


FIG. 4

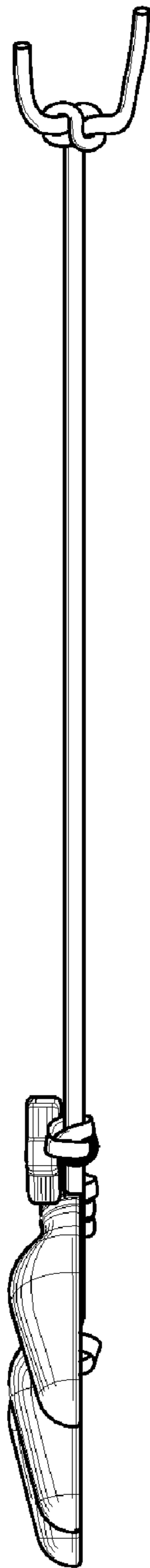


FIG. 5

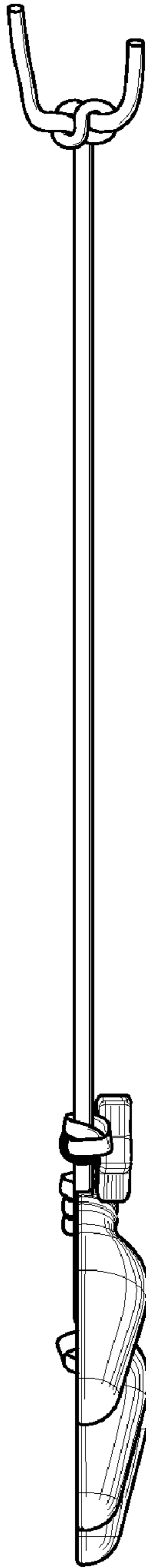


FIG. 6



FIG. 7

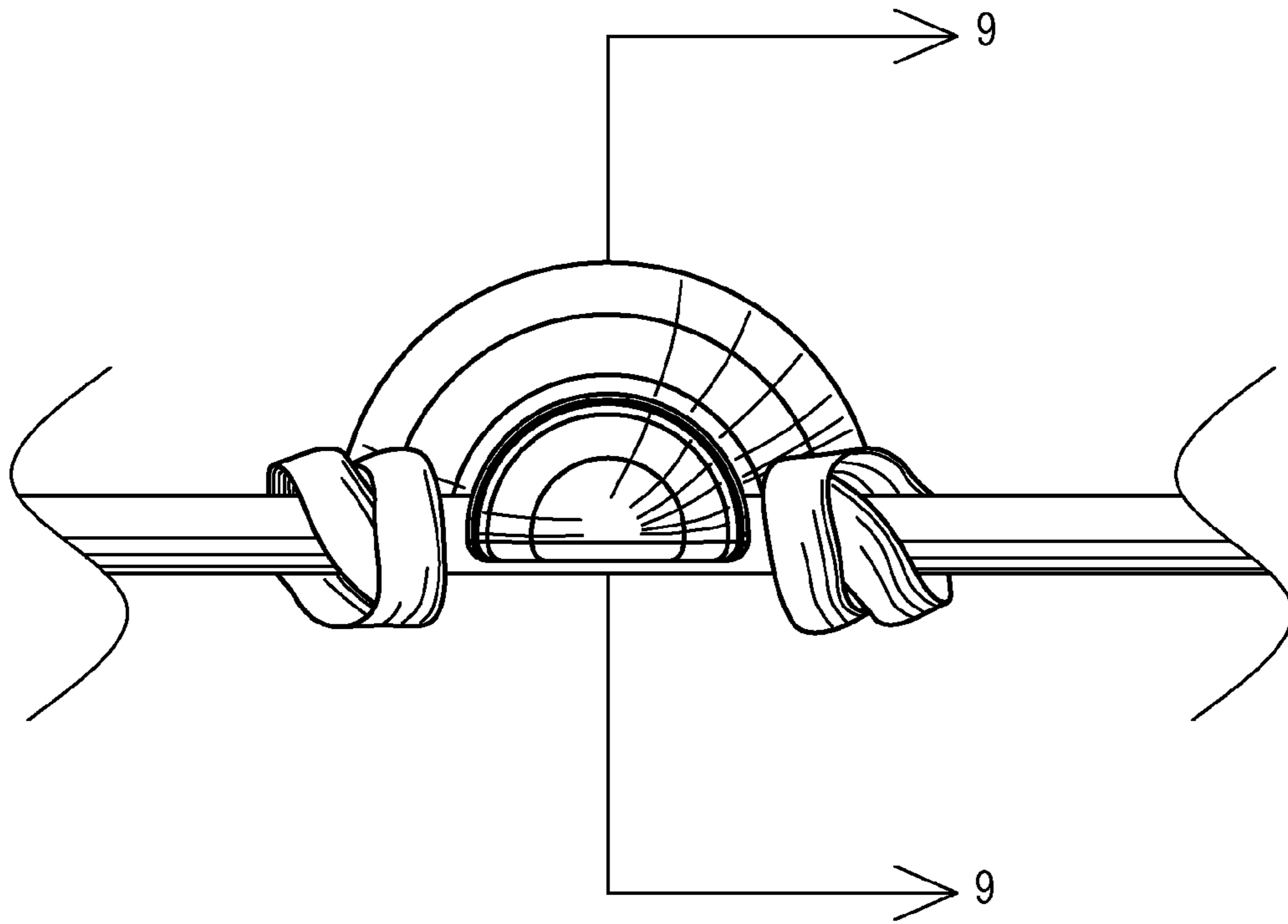


FIG. 8

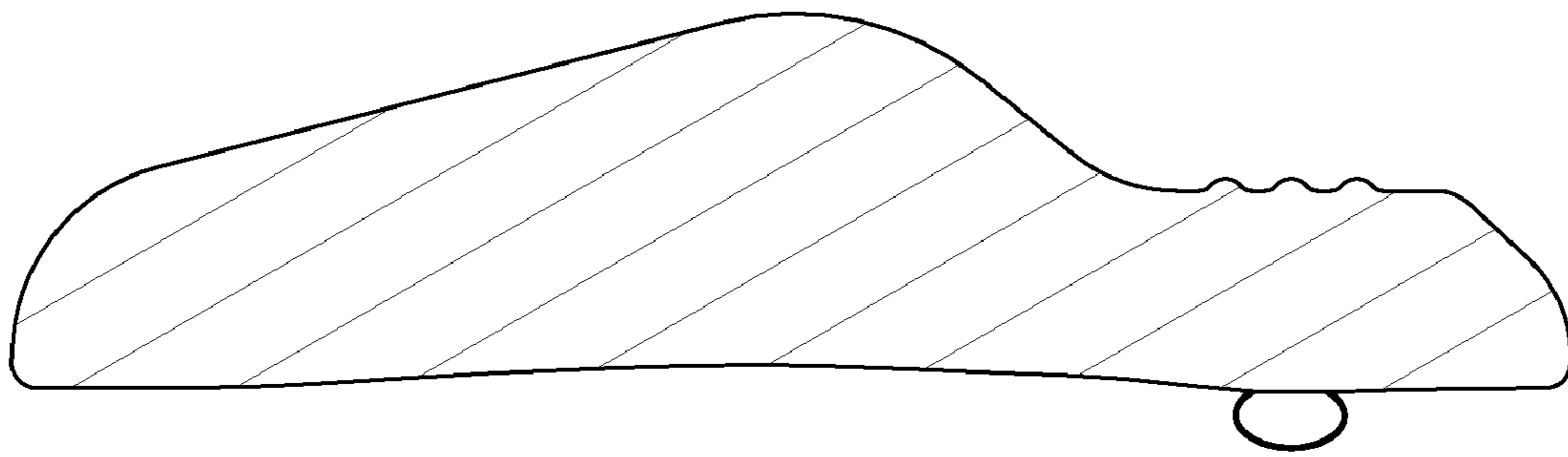


FIG. 9