



US00D576062S

(12) **United States Design Patent**  
**Hayamizu et al.**

(10) **Patent No.:** **US D576,062 S**  
(45) **Date of Patent:** **\*\* Sep. 2, 2008**

(54) **TOTAL STATION**

(75) Inventors: **Eiji Hayamizu**, Tokyo (JP); **Masayoshi Ootsuki**, Tokyo (JP)

(73) Assignees: **PENTAX Corporation**, Tokyo (JP);  
**PENTAX Industrial Instruments Co., Ltd.**, Tokyo (JP)

(\*\*) Term: **14 Years**

(21) Appl. No.: **29/270,570**

(22) Filed: **Dec. 28, 2006**

(30) **Foreign Application Priority Data**

Jun. 29, 2006 (JP) ..... 2006-016924

(51) **LOC (8) Cl.** ..... **10-04**

(52) **U.S. Cl.** ..... **D10/66**

(58) **Field of Classification Search** ..... D24/138,  
D24/137, 107, 108, 111, 169, 186, 231, 232;  
600/473, 109; 604/29; D10/66; D16/130;  
33/281, 285, 286, 290, 292; 356/138-155,  
356/3, 4.01; 717/104

See application file for complete search history.

(56) **References Cited**

**U.S. PATENT DOCUMENTS**

D358,471 S \* 5/1995 Cope et al. .... D24/137  
D427,087 S \* 6/2000 Kaneko et al. .... D10/66  
6,138,367 A \* 10/2000 Raby ..... 33/290

D438,952 S \* 3/2001 Cimino et al. .... D24/107  
D447,066 S \* 8/2001 Takayama et al. .... D10/66  
D494,074 S \* 8/2004 Ishii ..... D10/66  
D531,921 S \* 11/2006 Banba ..... D10/66  
D535,745 S \* 1/2007 Hayamizu ..... D24/138  
D537,163 S \* 2/2007 Nakamura ..... D24/138  
D558,075 S \* 12/2007 Ishii ..... D10/66

**FOREIGN PATENT DOCUMENTS**

JP 943897 S 6/1997  
JP 943897 S 7/1998

\* cited by examiner

*Primary Examiner*—Ian Simmons

*Assistant Examiner*—Christopher Lee

(74) *Attorney, Agent, or Firm*—Sughrue Mion, PLLC

(57) **CLAIM**

The ornamental design for a total station, as shown.

**DESCRIPTION**

FIG. 1 is a perspective view of the top, front, and right side of a total station showing our new design;

FIG. 2 is a front elevational view thereof;

FIG. 3 is a rear elevational view thereof;

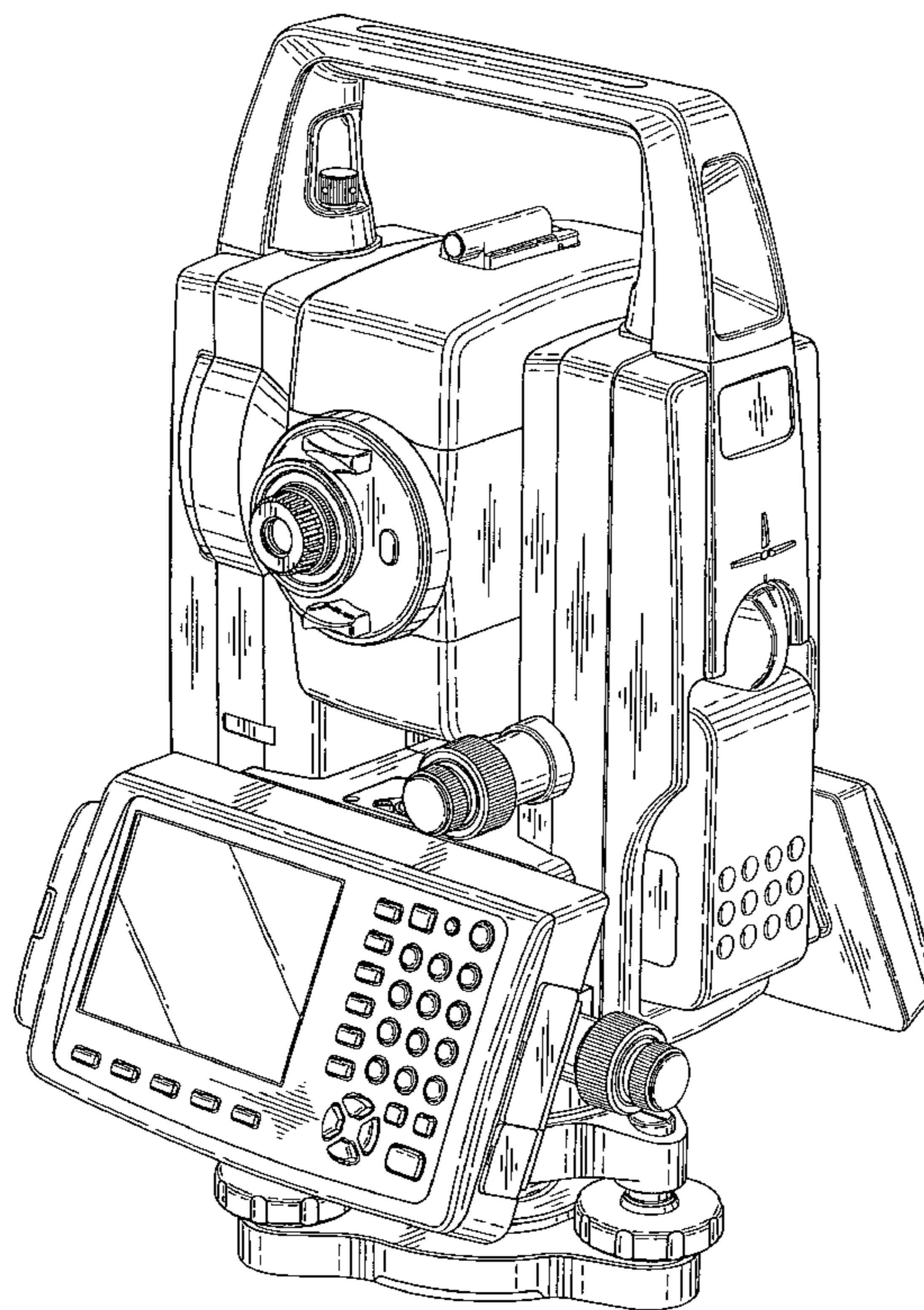
FIG. 4 is a right side elevational view thereof;

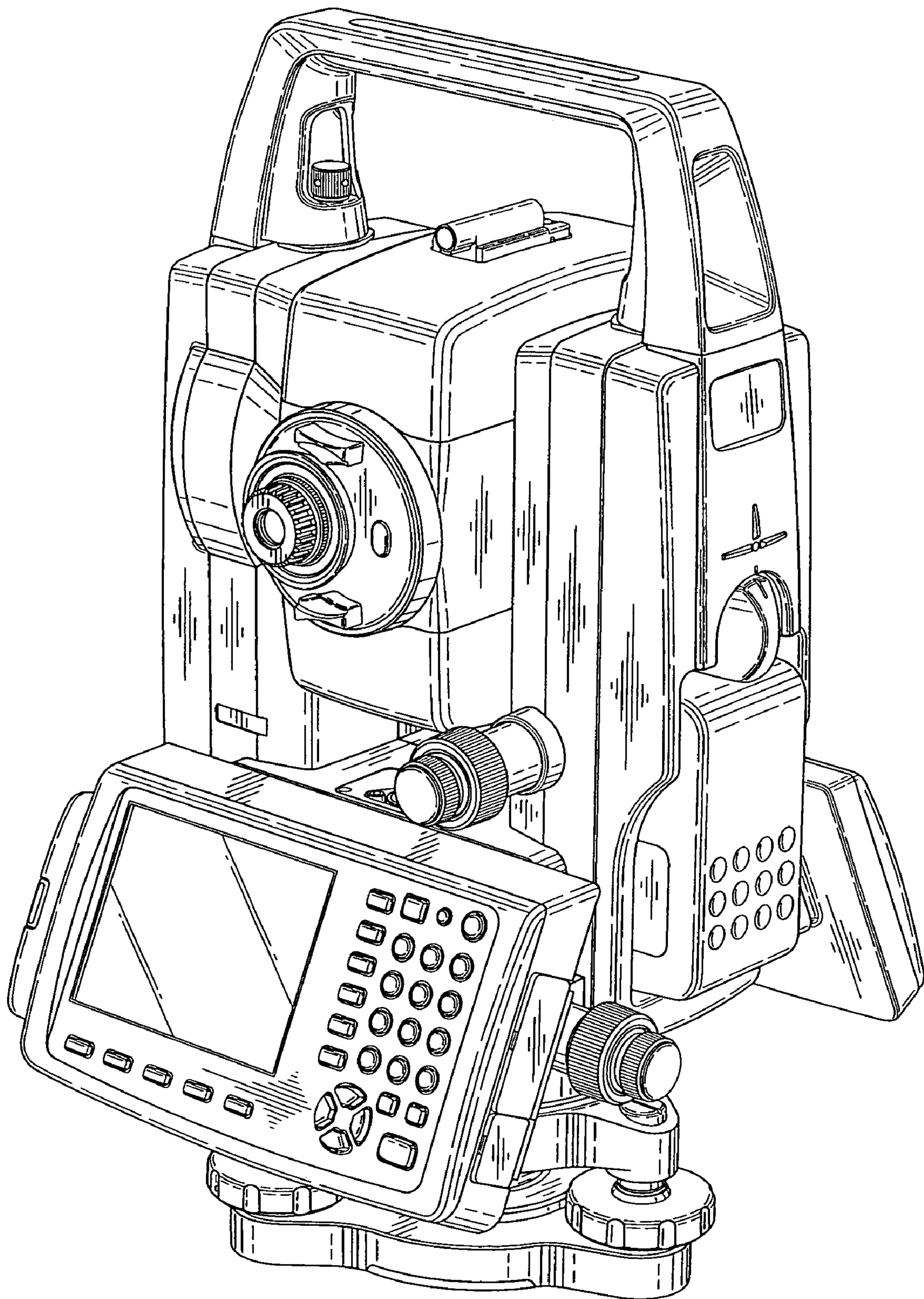
FIG. 5 is a left side elevational view thereof;

FIG. 6 is a top plan view thereof; and,

FIG. 7 is a bottom plan view thereof.

**1 Claim, 7 Drawing Sheets**





*FIG. 1*

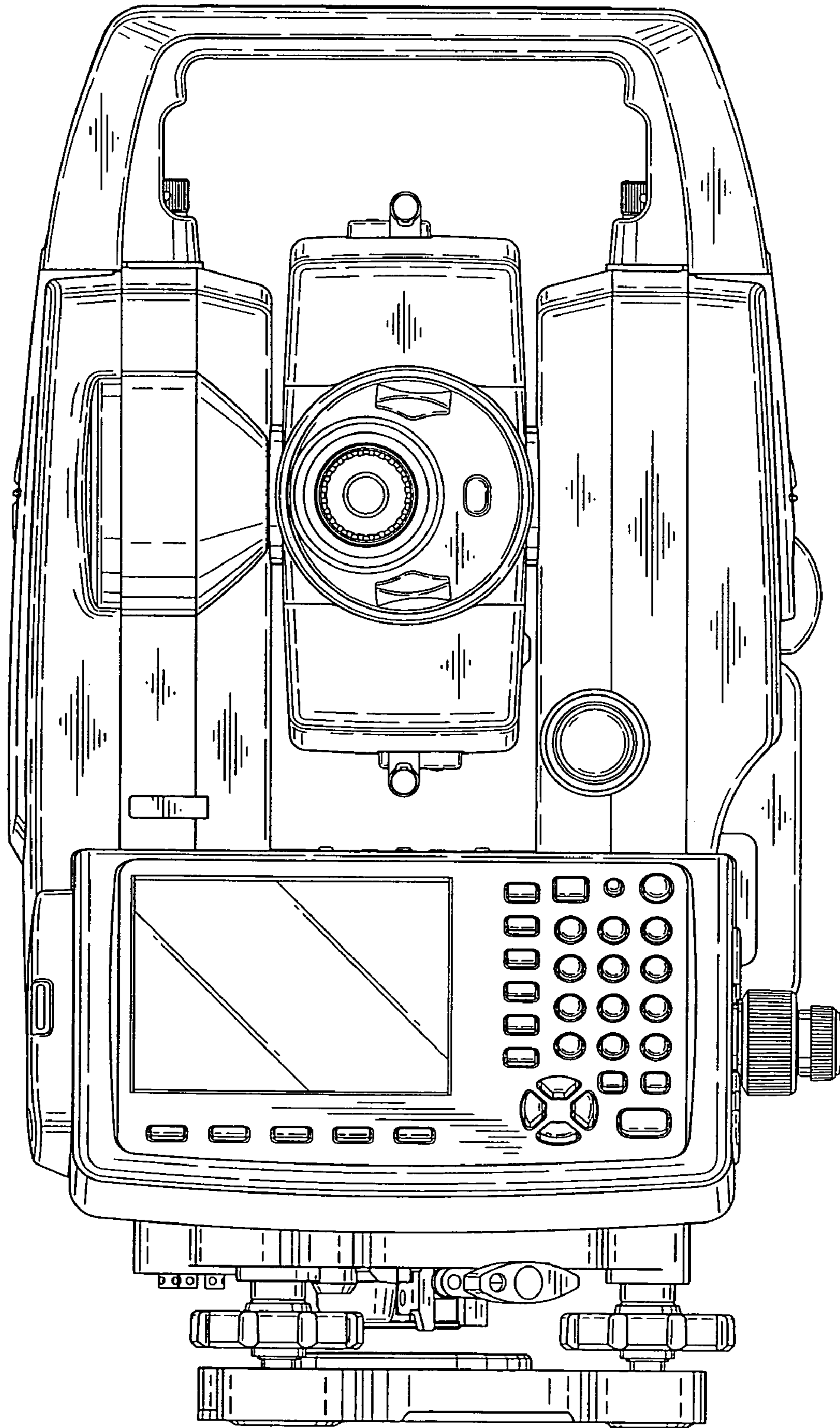


FIG. 2

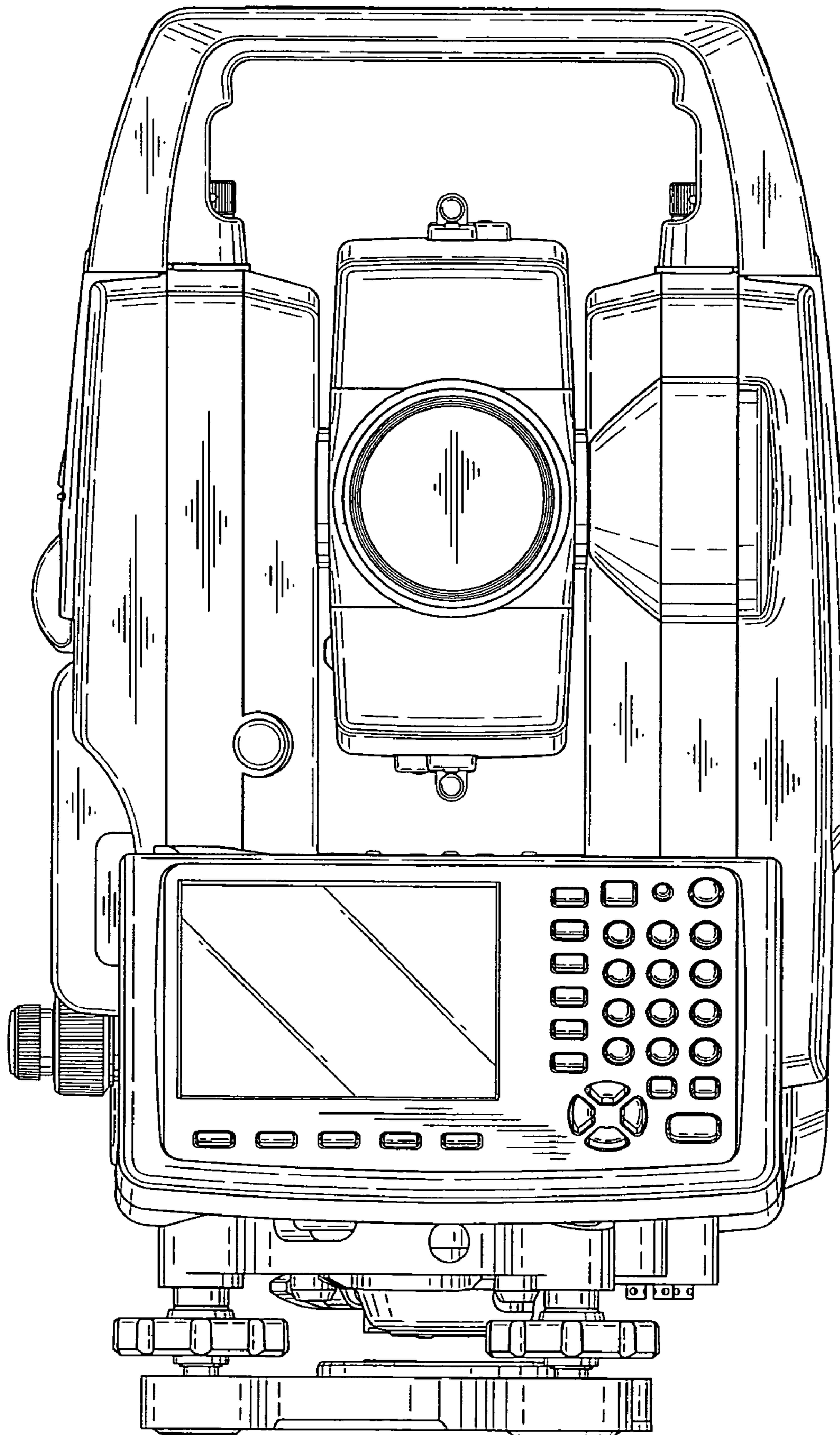


FIG. 3

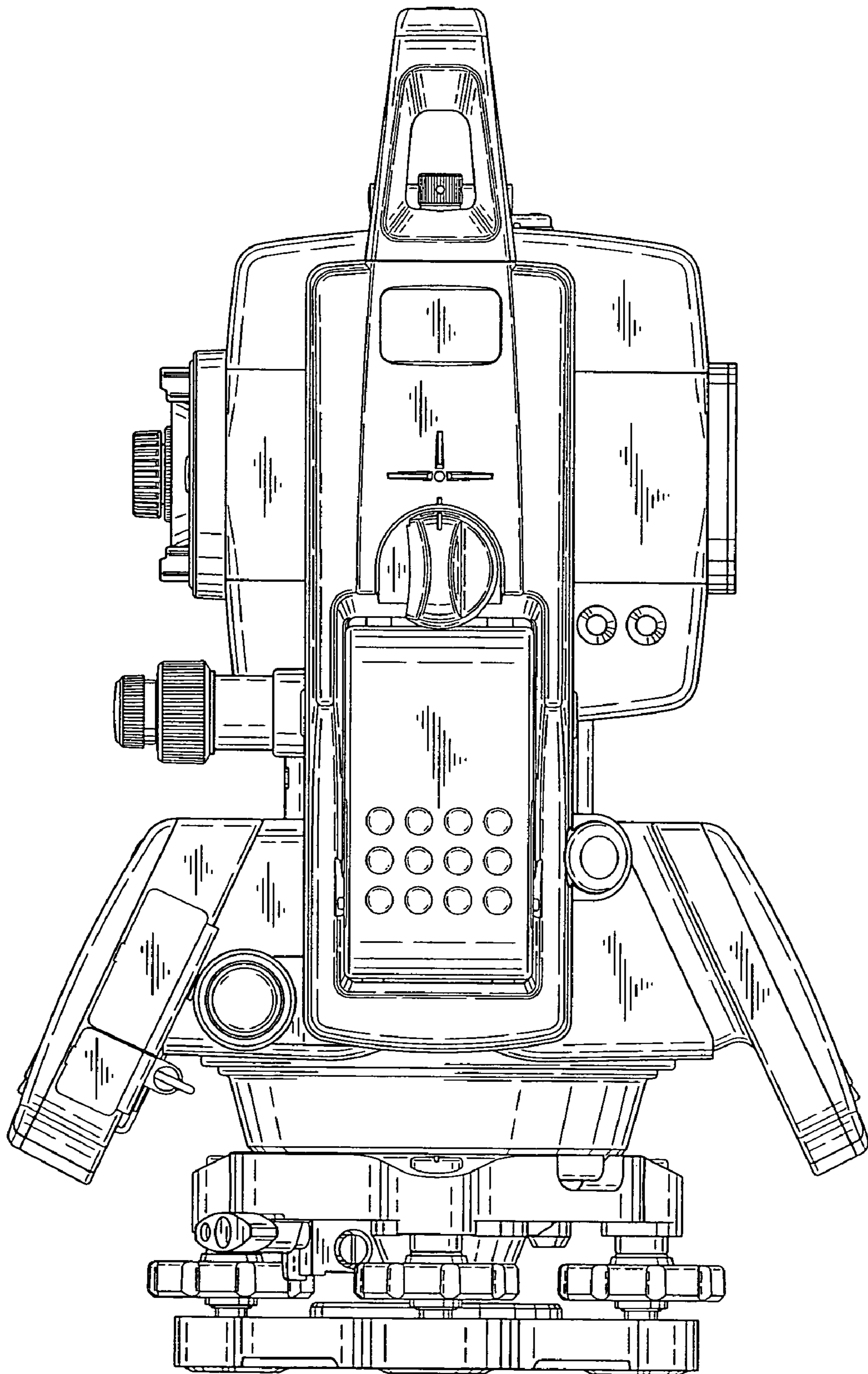


FIG. 4

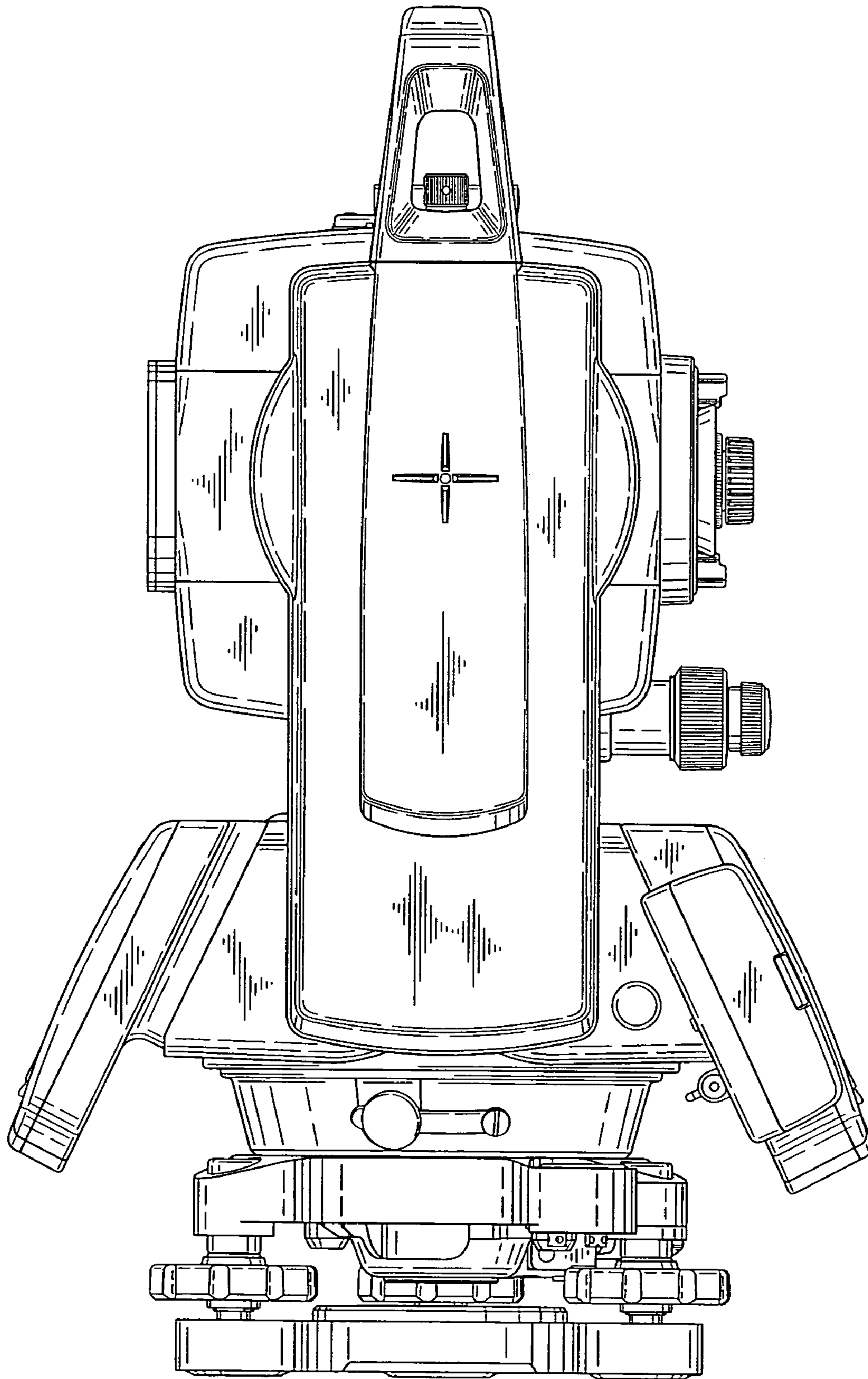


FIG. 5

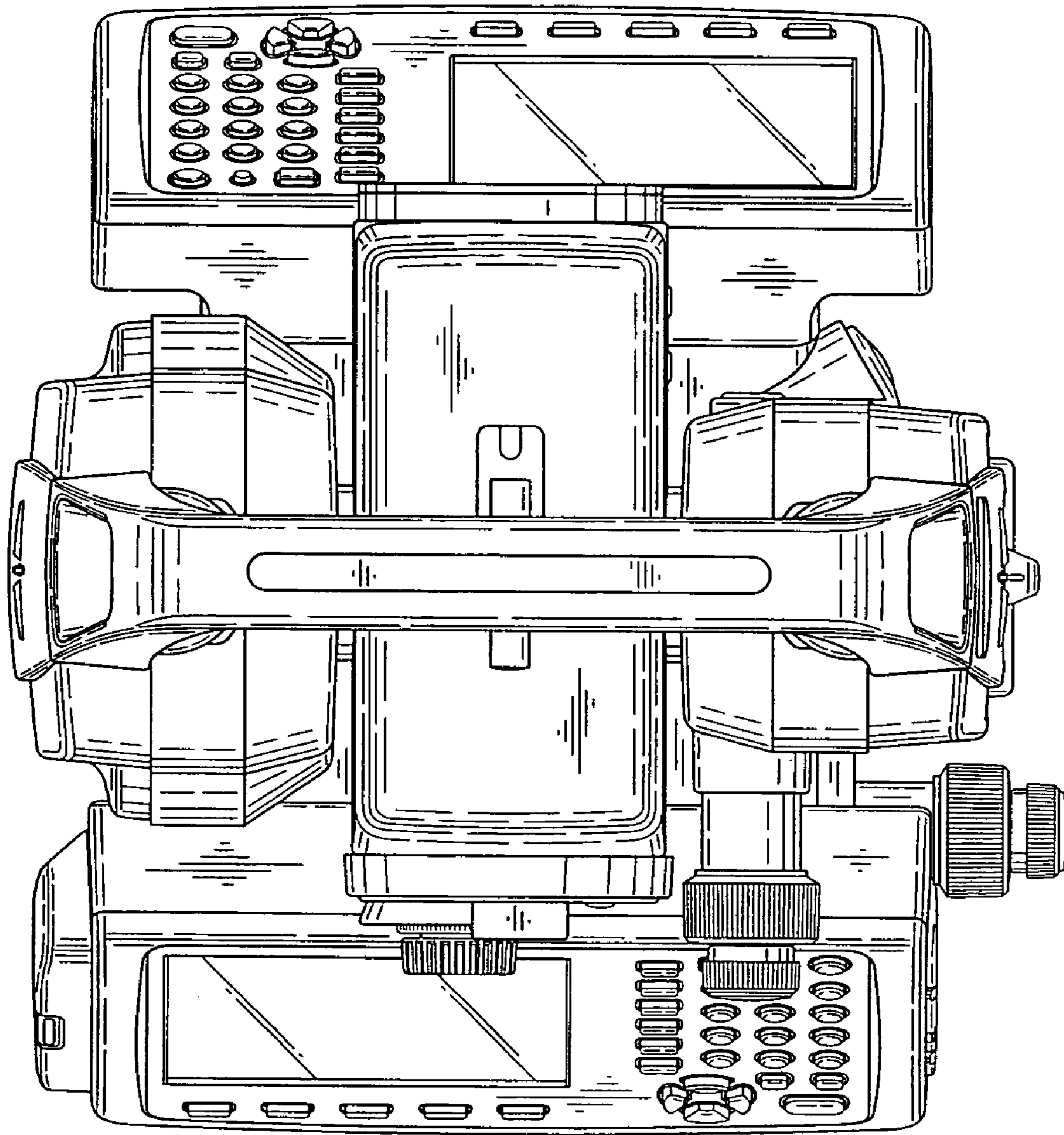
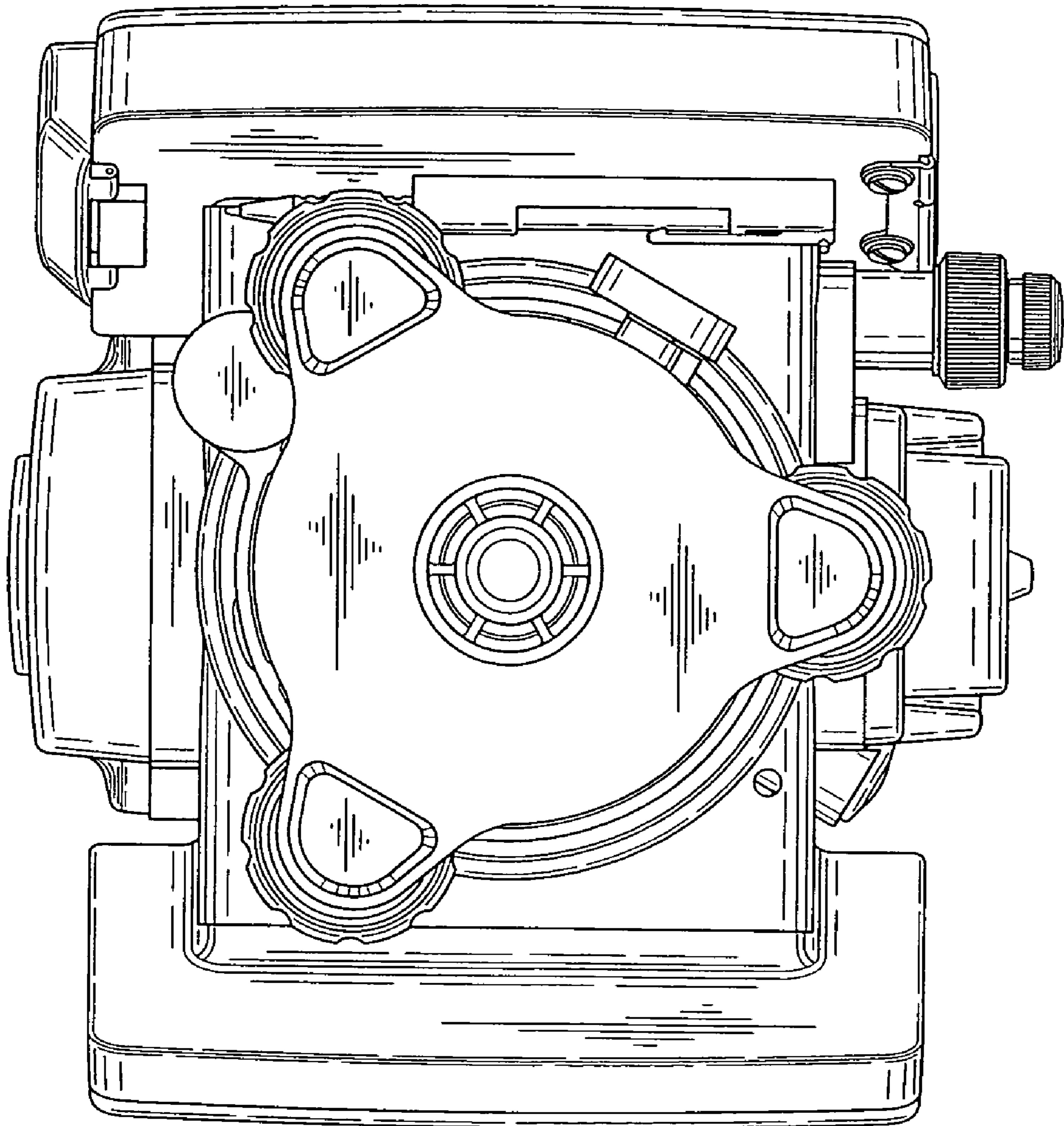


FIG. 6



*FIG. 7*