



US00D576061S

(12) **United States Design Patent**  
**Rider**

(10) **Patent No.:** **US D576,061 S**

(45) **Date of Patent:** **\*\* Sep. 2, 2008**

(54) **ROOF PANEL GAUGE**

(76) Inventor: **Terry Rider**, 915 Highway 45, Corinth,  
MS (US) 38834

(\*\*) Term: **14 Years**

(21) Appl. No.: **29/296,928**

(22) Filed: **Oct. 31, 2007**

(51) **LOC (8) Cl.** ..... **10-04**

(52) **U.S. Cl.** ..... **D10/65; D10/64**

(58) **Field of Classification Search** ..... D10/64-65;  
33/501.05-501.45, 567, 567.1, 562-563;  
52/465, 466, 468, 404, 519, 520, 542, 530,  
52/395, 469

See application file for complete search history.

(56) **References Cited**

**U.S. PATENT DOCUMENTS**

D31,837 S *	11/1899	Thomas	.....	D10/64
1,057,954 A *	4/1913	Poulon	.....	33/501.3
1,279,645 A *	9/1918	Bryant	.....	33/562
3,287,813 A *	11/1966	Lennon et al.	.....	33/562

3,380,172 A *	4/1968	Baumbach	.....	33/613
D251,059 S *	2/1979	Montell	.....	D10/64
4,476,658 A *	10/1984	Johnstone	.....	52/395
5,163,231 A *	11/1992	Craig	.....	33/501.45

\* cited by examiner

*Primary Examiner*—Antoine D Davis

(74) *Attorney, Agent, or Firm*—Wyatt, Tarrant & Combs, LLP

(57) **CLAIM**

I claim the ornamental design for a roof panel gauge, as shown and described.

**DESCRIPTION**

FIG. 1 is a perspective view showing a new design for a roof panel segment gauge;

FIG. 2 is a front view thereof;

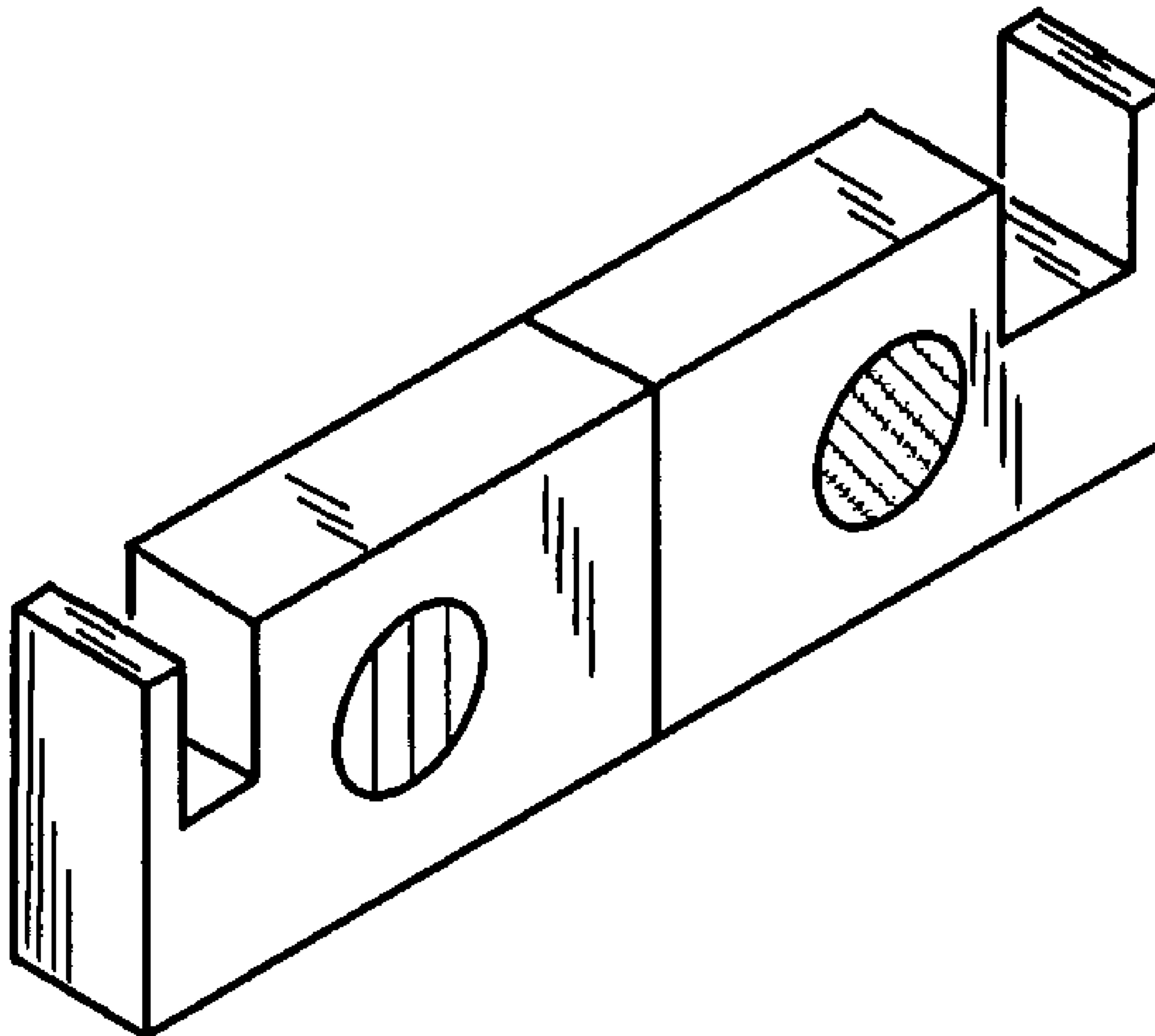
FIG. 3 is a bottom view thereof;

FIG. 4 is an inverted rear view thereof;

FIG. 5 is a top view thereof; and,

FIG. 6 is a side view thereof.

**1 Claim, 1 Drawing Sheet**



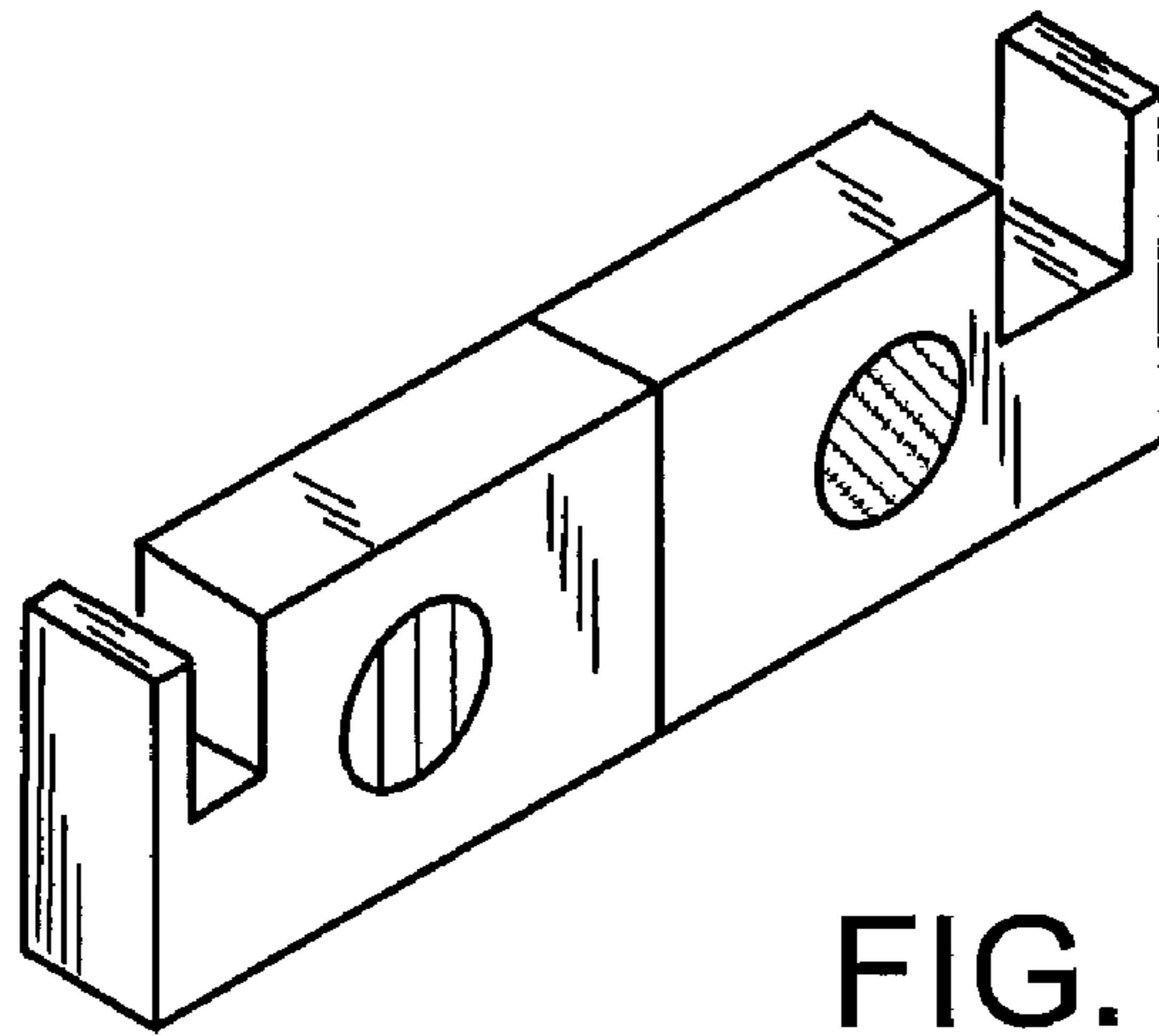


FIG. 1

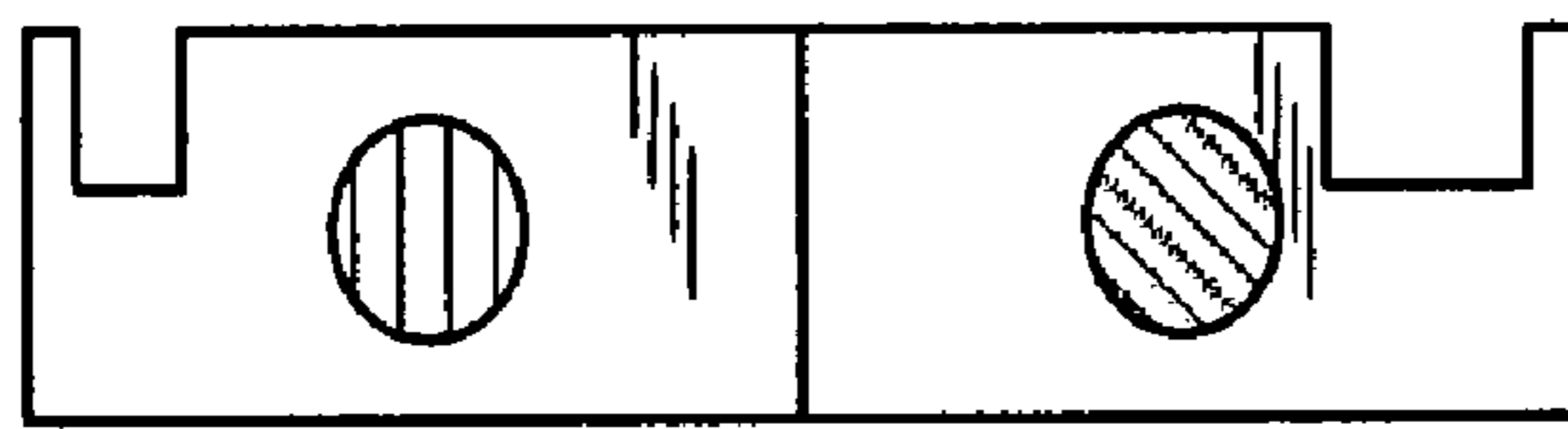


FIG. 2



FIG. 3



FIG. 6

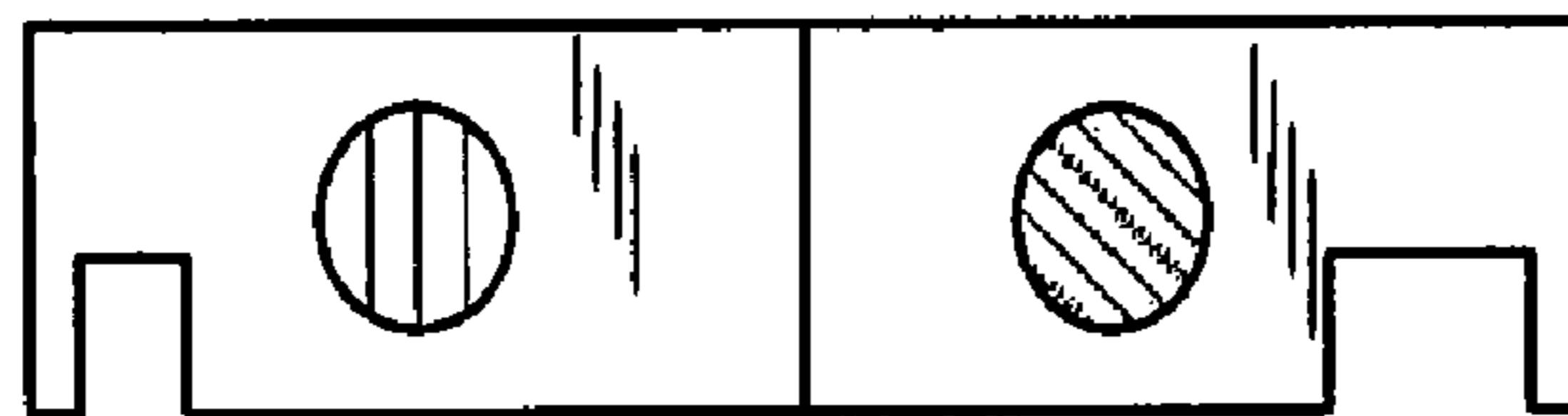


FIG. 4



FIG. 5