



US00D576057S

(12) **United States Design Patent**
Hebert et al.

(10) **Patent No.:** **US D576,057 S**
(45) **Date of Patent:** **** Sep. 2, 2008**

(54) **BIOMETRIC IDENTIFICATION DEVICE**

(75) Inventors: **Raphael V. Hebert**, Santa Cruz, CA (US); **Tem W. Kuechle**, Santa Cruz, CA (US); **David P. Moriconi**, Ben Lomond, CA (US)

(73) Assignee: **Privaris, Inc.**, Charlottesville, VA (US)

(**) Term: **14 Years**

(21) Appl. No.: **29/281,436**

(22) Filed: **Jun. 22, 2007**

(51) **LOC (8) Cl.** **10-04**

(52) **U.S. Cl.** **D10/46**

(58) **Field of Classification Search** D10/46;
D13/162-162.1; D14/383-384; 235/380;
380/23-24, 247; 382/124-127, 115-116,
382/312-314, 188, 118; 356/71; 340/825.34,
340/5.81, 5.8, 5.82, 5.83, 5.84, 5.85; 713/202,
713/182, 183, 184, 185, 186; 705/39, 64,
705/72, 76; 902/40; 455/410; 456/411

See application file for complete search history.

(56) **References Cited**

U.S. PATENT DOCUMENTS

6,484,260 B1 11/2002 Scott et al.
6,532,298 B1 3/2003 Cambier et al.
6,657,538 B1 12/2003 Ritter

6,662,166 B2 12/2003 Pare, Jr. et al.
6,786,397 B2 9/2004 Silverbrook et al.
D501,208 S * 1/2005 Ozolins et al. D14/383
6,844,660 B2 1/2005 Scott
6,870,966 B1 3/2005 Silverbrook et al.
D508,245 S * 8/2005 Ozolins et al. D14/383
D522,510 S * 6/2006 Su D14/384
D535,992 S * 1/2007 Ozolins et al. D14/383

* cited by examiner

Primary Examiner—Antoine D Davis

(74) *Attorney, Agent, or Firm*—Cooley Godward Kronish LLP

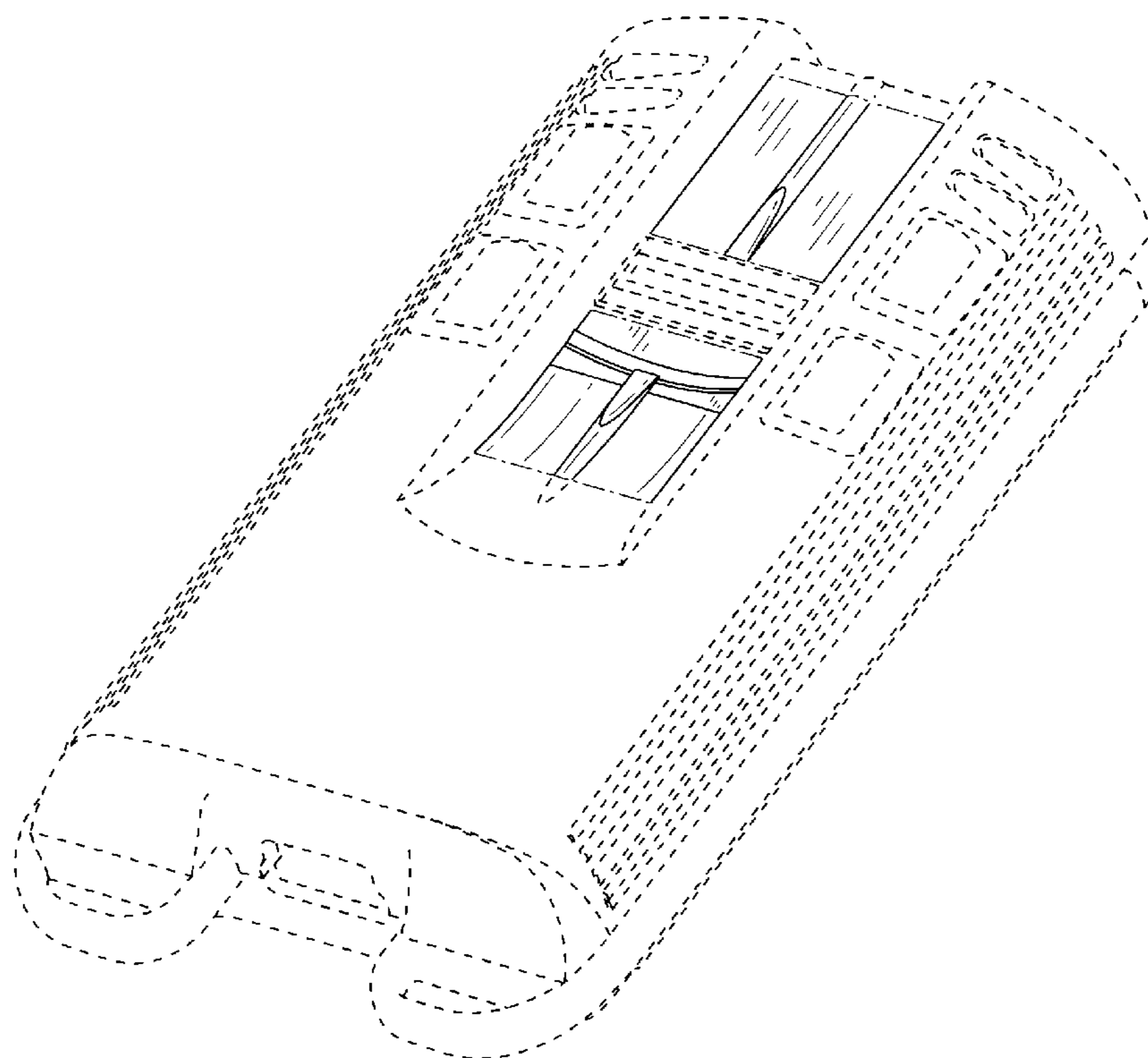
(57) **CLAIM**

The ornamental design for a biometric identification device, as shown and described.

DESCRIPTION

FIG. 1 is a top view of a biometric identification device;
FIG. 2 is a left side view;
FIG. 3 is a bottom view;
FIG. 4 is a right side view;
FIG. 5 is a front view;
FIG. 6 is a rear view;
FIG. 7 is a top perspective view; and,
FIG. 8 is a bottom perspective view.

1 Claim, 8 Drawing Sheets



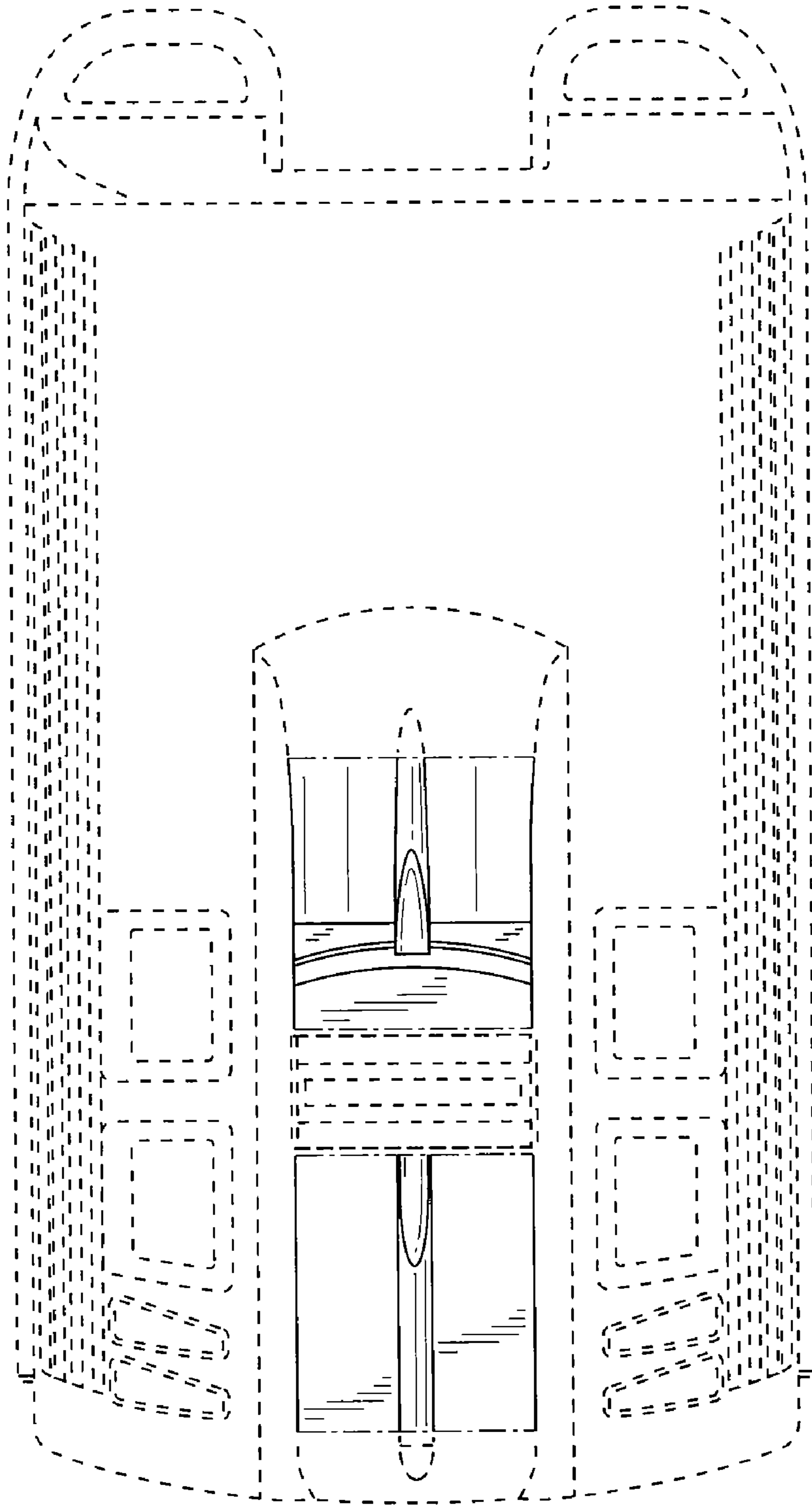


FIG.1

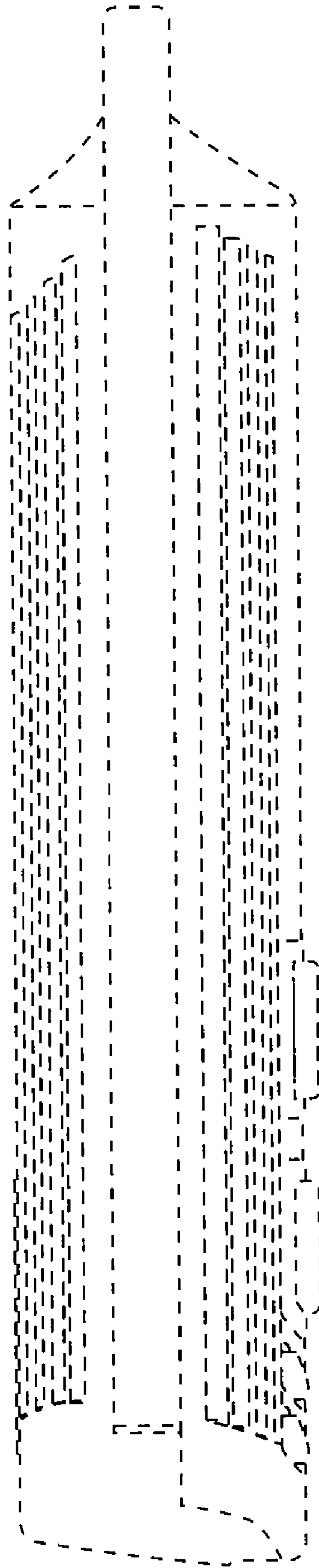


FIG.2

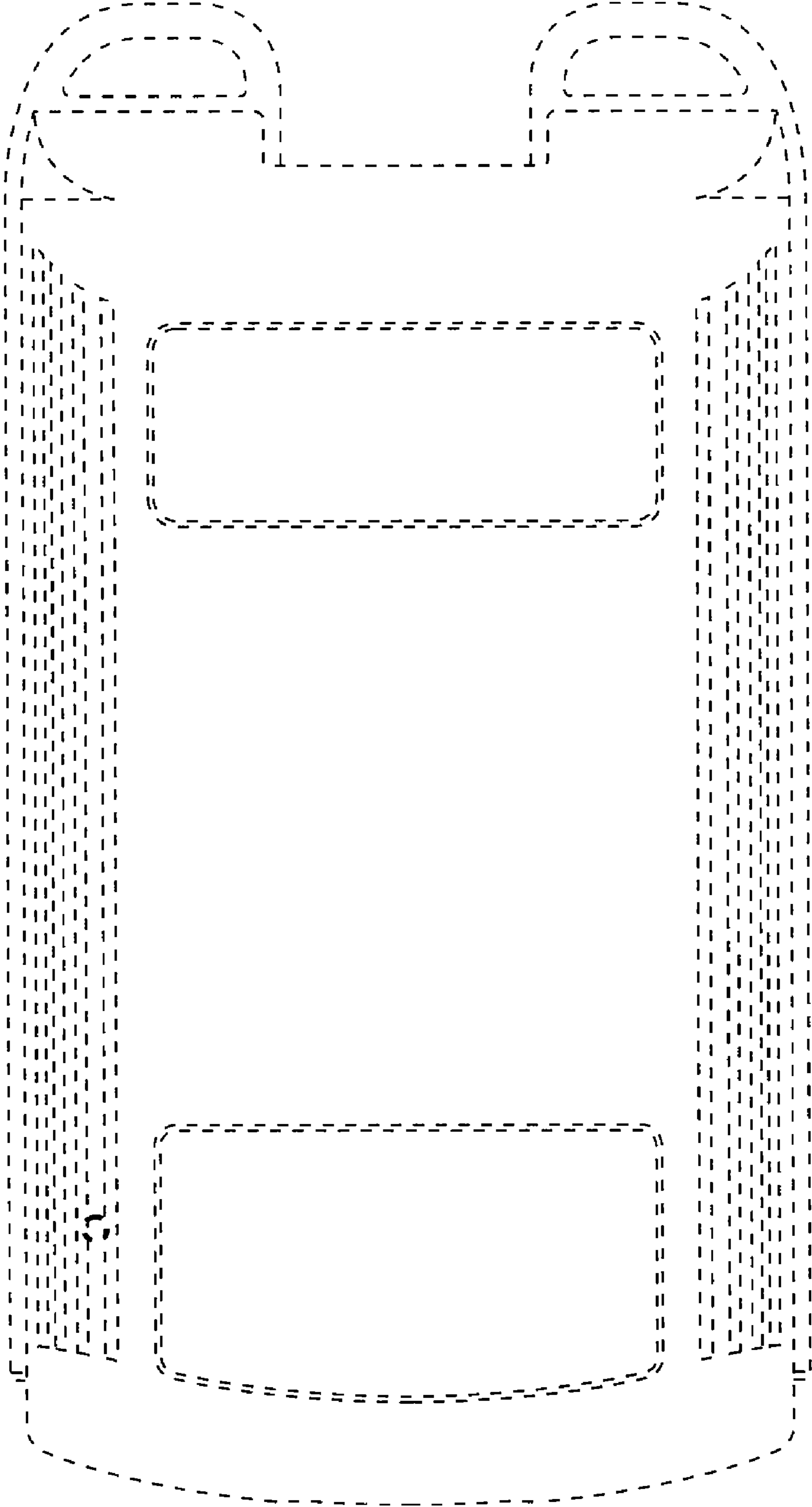


FIG.3

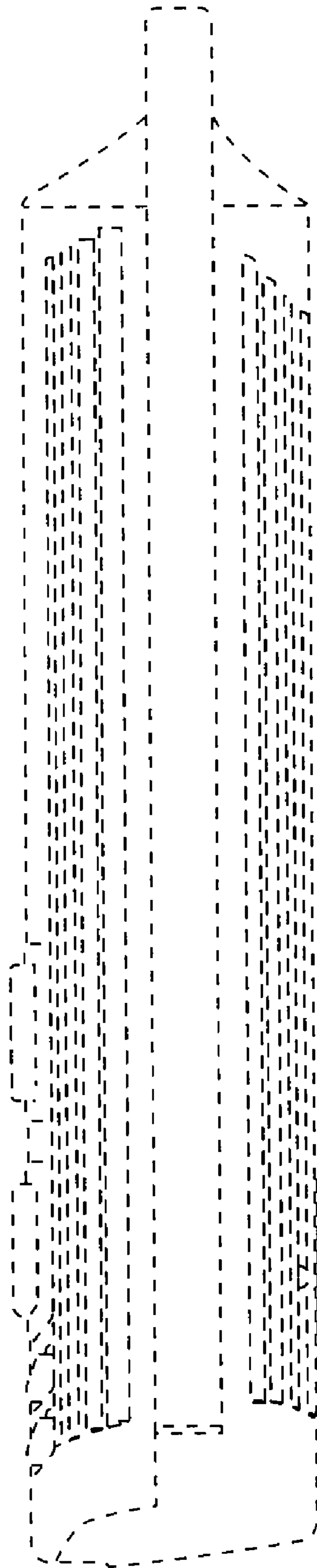


FIG.4

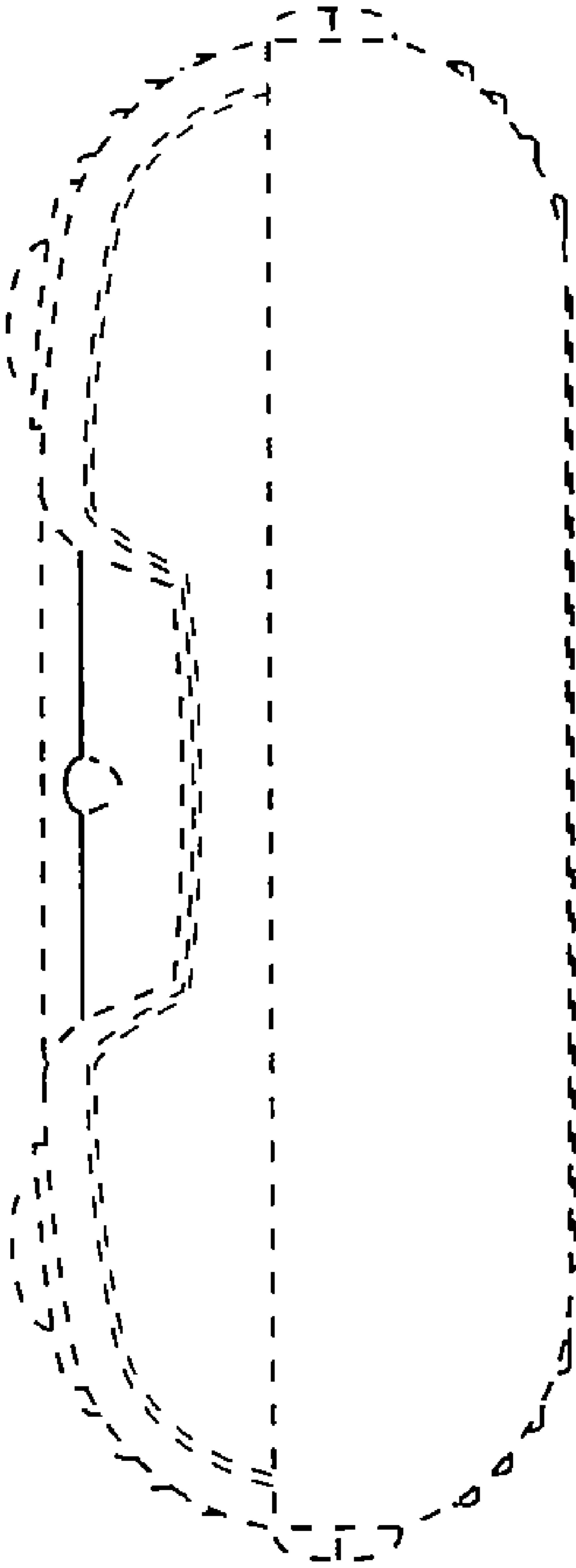


FIG. 5

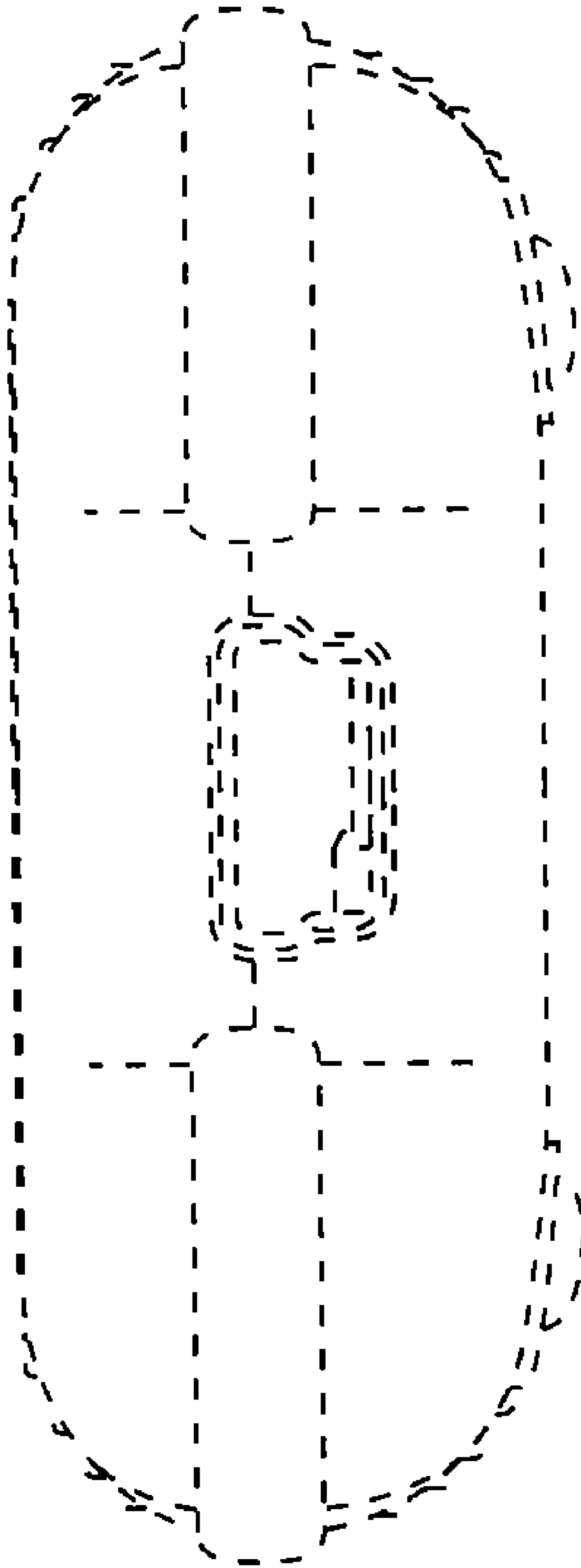


FIG. 6

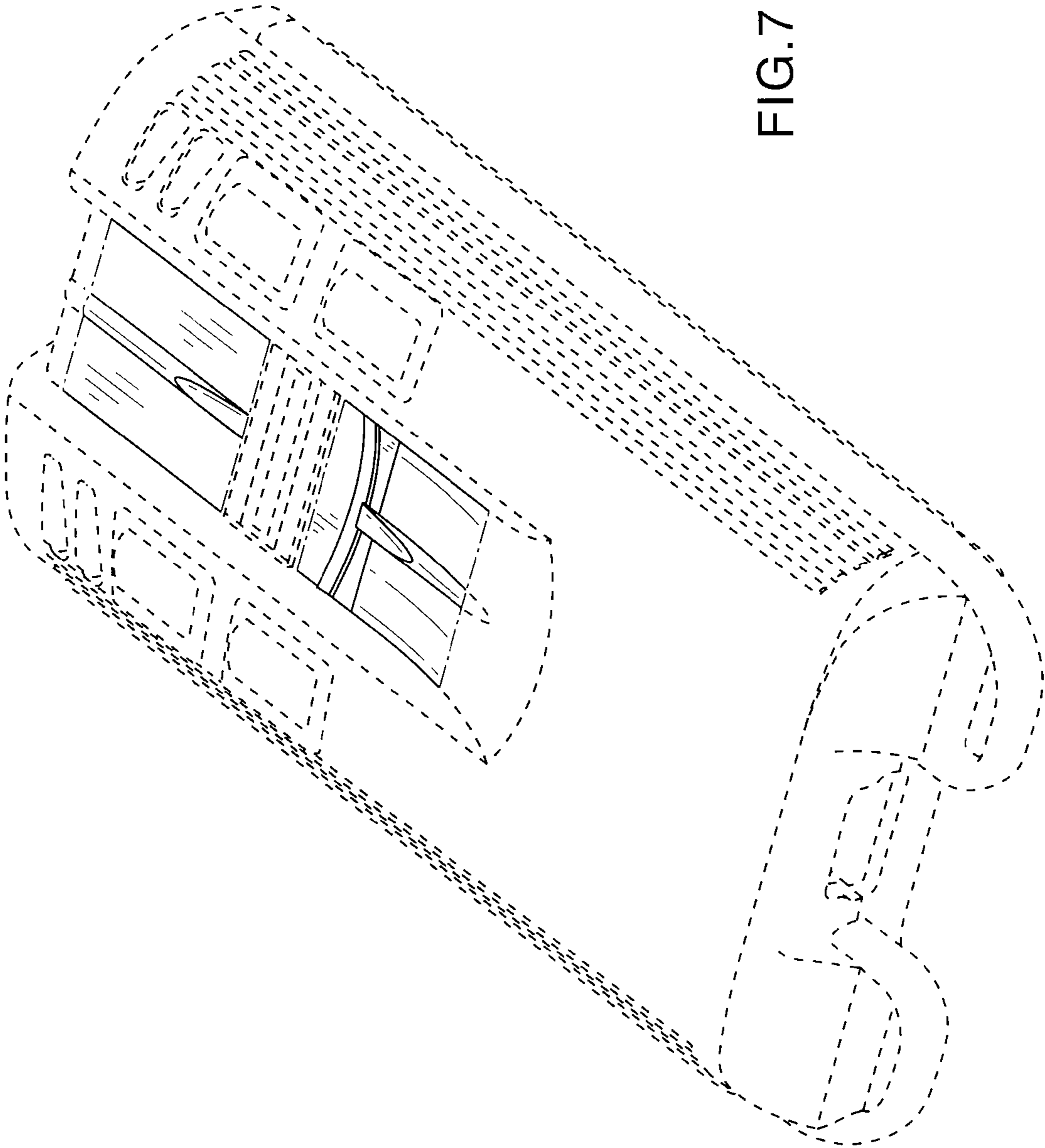


FIG. 7

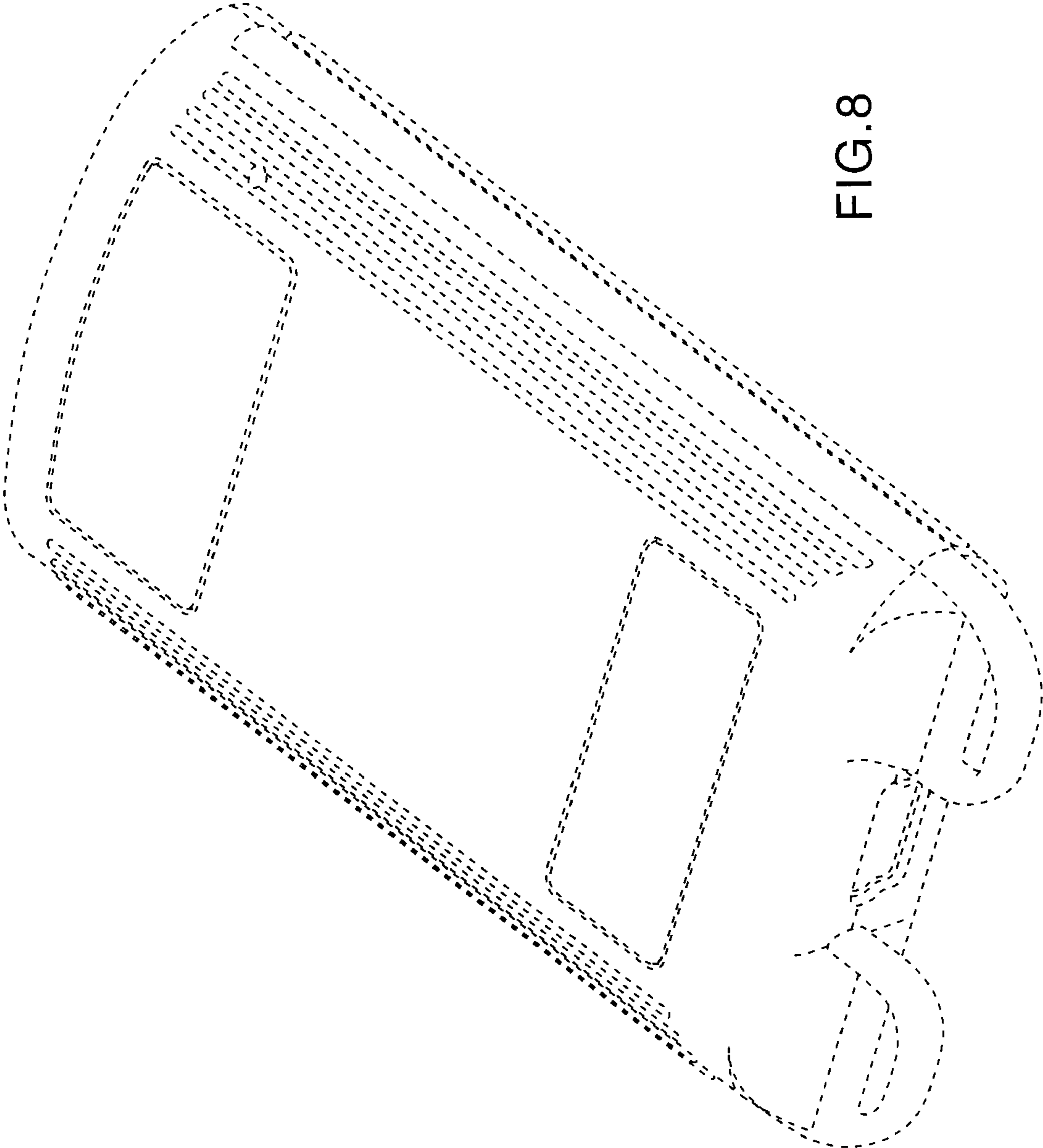


FIG. 8