

US00D576054S

(12) **United States Design Patent**
Vaptzarof

(10) **Patent No.:** **US D576,054 S**

(45) **Date of Patent:** **** Sep. 2, 2008**

(54) **WATCH CASE**

(75) **Inventor:** **Philippe Vaptzarof, L'Abbaye (CH)**

(73) **Assignee:** **Audemars Piguet (Marketing) SA, Le Brassus (CH)**

(**) **Term:** **14 Years**

(21) **Appl. No.:** **29/291,984**

(22) **Filed:** **Sep. 24, 2007**

(30) **Foreign Application Priority Data**

Mar. 27, 2007 (CH) 133730

(51) **LOC (8) Cl.** **10-02**

(52) **U.S. Cl.** **D10/38**

(58) **Field of Classification Search** D10/30-39,
D10/122-132; 368/276, 281, 282, 285, 288,
368/308, 319, 28, 80, 223, 228, 232, 294,
368/295

See application file for complete search history.

(56) **References Cited**

U.S. PATENT DOCUMENTS

D317,871 S *	7/1991	Applegate, Jr.	D10/30
D323,996 S *	2/1992	Nakazawa	D10/39
D338,838 S *	8/1993	Byrne	D10/39
D390,791 S *	2/1998	Kubisch	D10/39
D479,135 S *	9/2003	Emmenegger	D10/30
D490,722 S *	6/2004	Weismann et al.	D10/39
D497,109 S *	10/2004	Itsubo	D10/30
D500,452 S *	1/2005	Itsubo	D10/39
D534,084 S *	12/2006	Linde	D10/39
D539,669 S *	4/2007	Vaptzarof	D10/31

D539,674 S *	4/2007	Vaptzarof	D10/38
D543,872 S *	6/2007	Garcia	D10/38
D551,101 S *	9/2007	Nataf	D10/38
D558,614 S *	1/2008	Strasser	D10/38

OTHER PUBLICATIONS

Wristwatches A Connoisseur's Guide, Frank Edwards, copyright 1997, Firefly Publishing, p. 36 Audemars Piguet Royal Oak Offshore watch.*

Watches International VI, The Original Annual of the World's Finest wristwatches, copyright 2005, Tourbillon International, LLC, p. 109, Audemars Piguet Royal Oak Offshore Juan Pablo Montoya chronograph.*

* cited by examiner

Primary Examiner—Lucy Lieberman

(74) *Attorney, Agent, or Firm*—Frommer Lawrence & Haug LLP; Ronald R. Santucci

(57) **CLAIM**

The ornamental design for a watch case, as shown and described.

DESCRIPTION

FIG. 1 is a perspective view of the watch case showing the present design,

FIG. 2 is a front elevation thereof;

FIG. 3 is a rear elevation thereof;

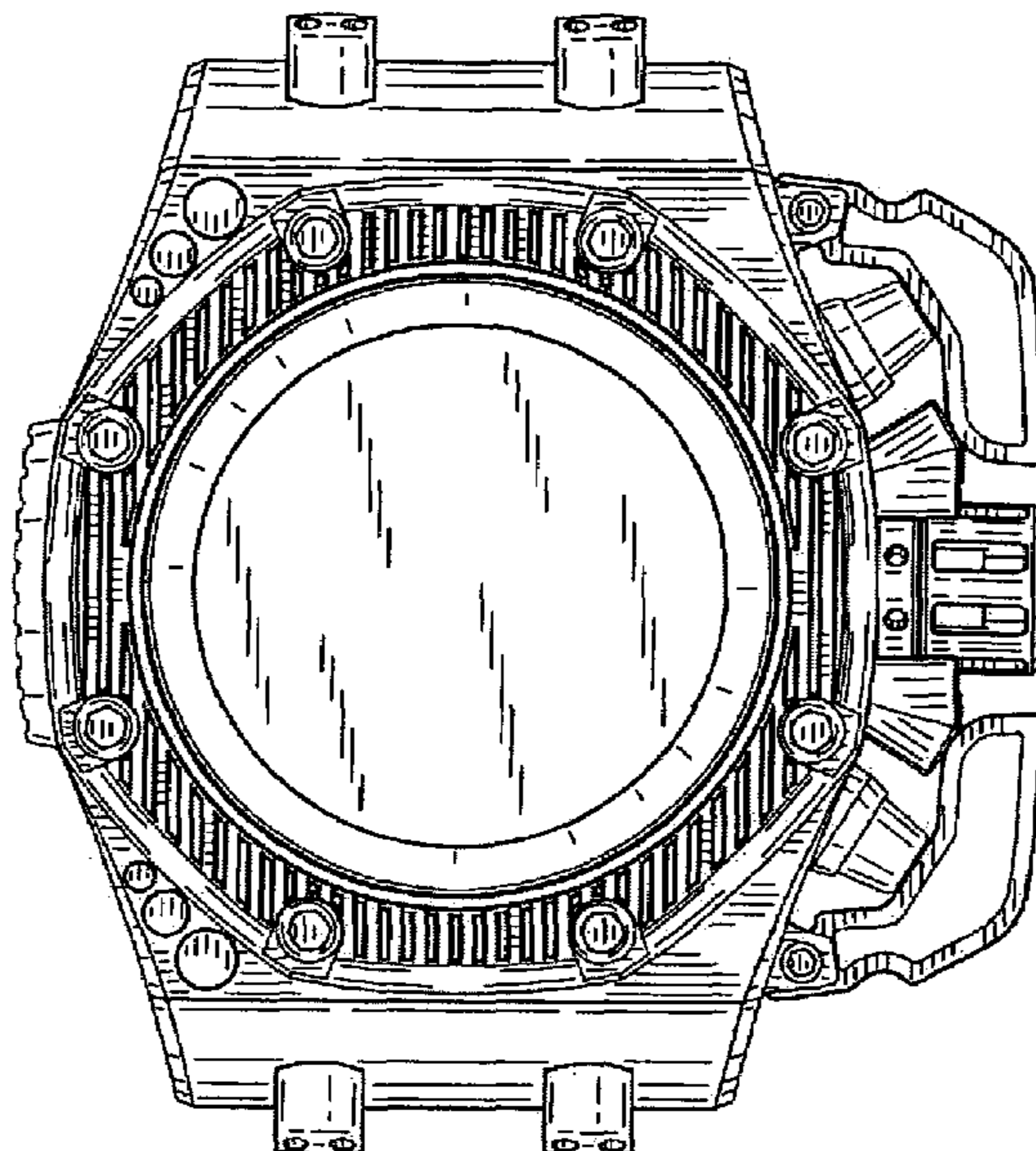
FIG. 4 is a bottom side view thereof,

FIG. 5 is a top side view thereof,

FIG. 6 is a right side view thereof; and,

FIG. 7 is a left side view thereof.

1 Claim, 3 Drawing Sheets



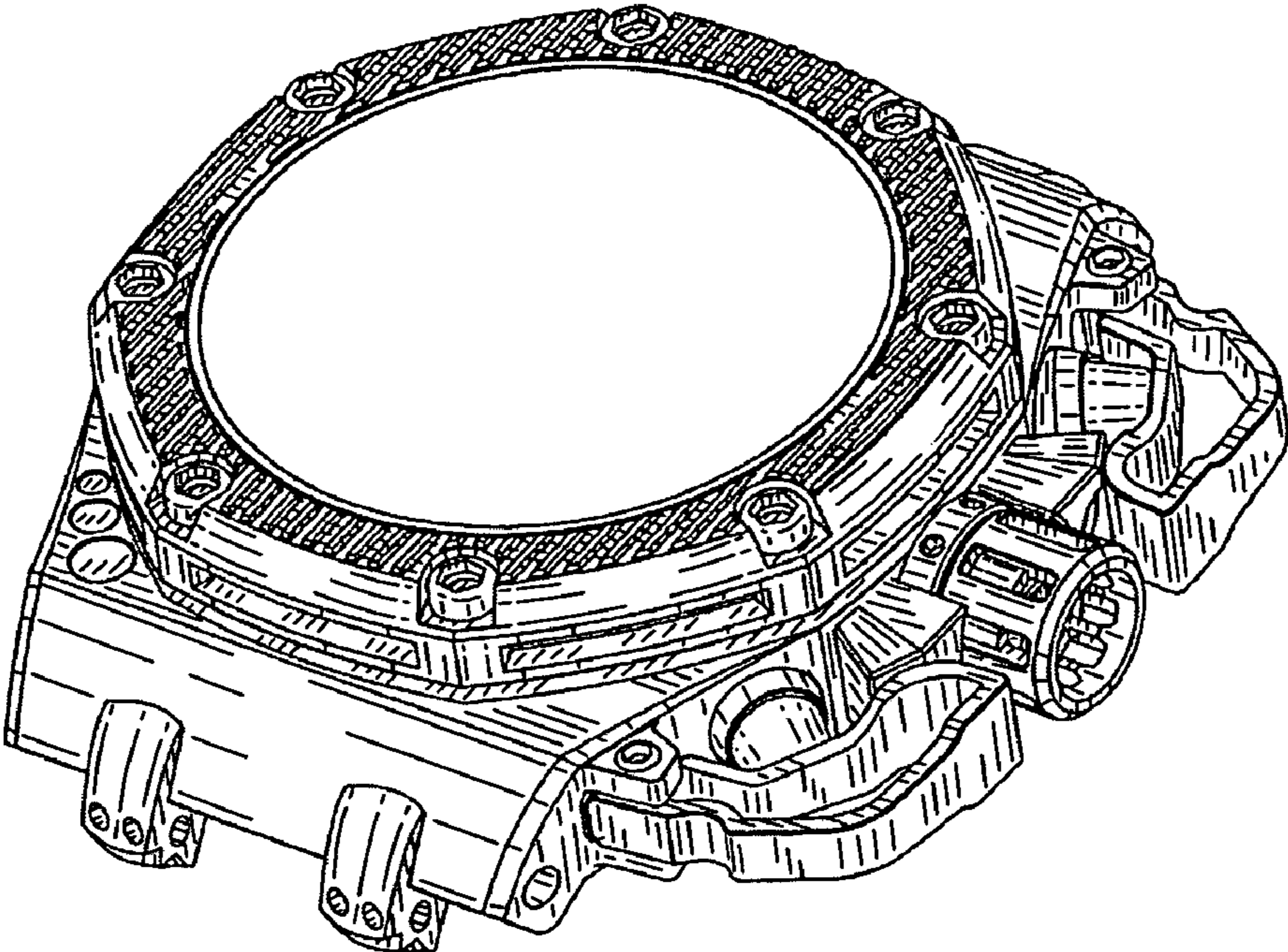


FIG. 1

FIG. 2

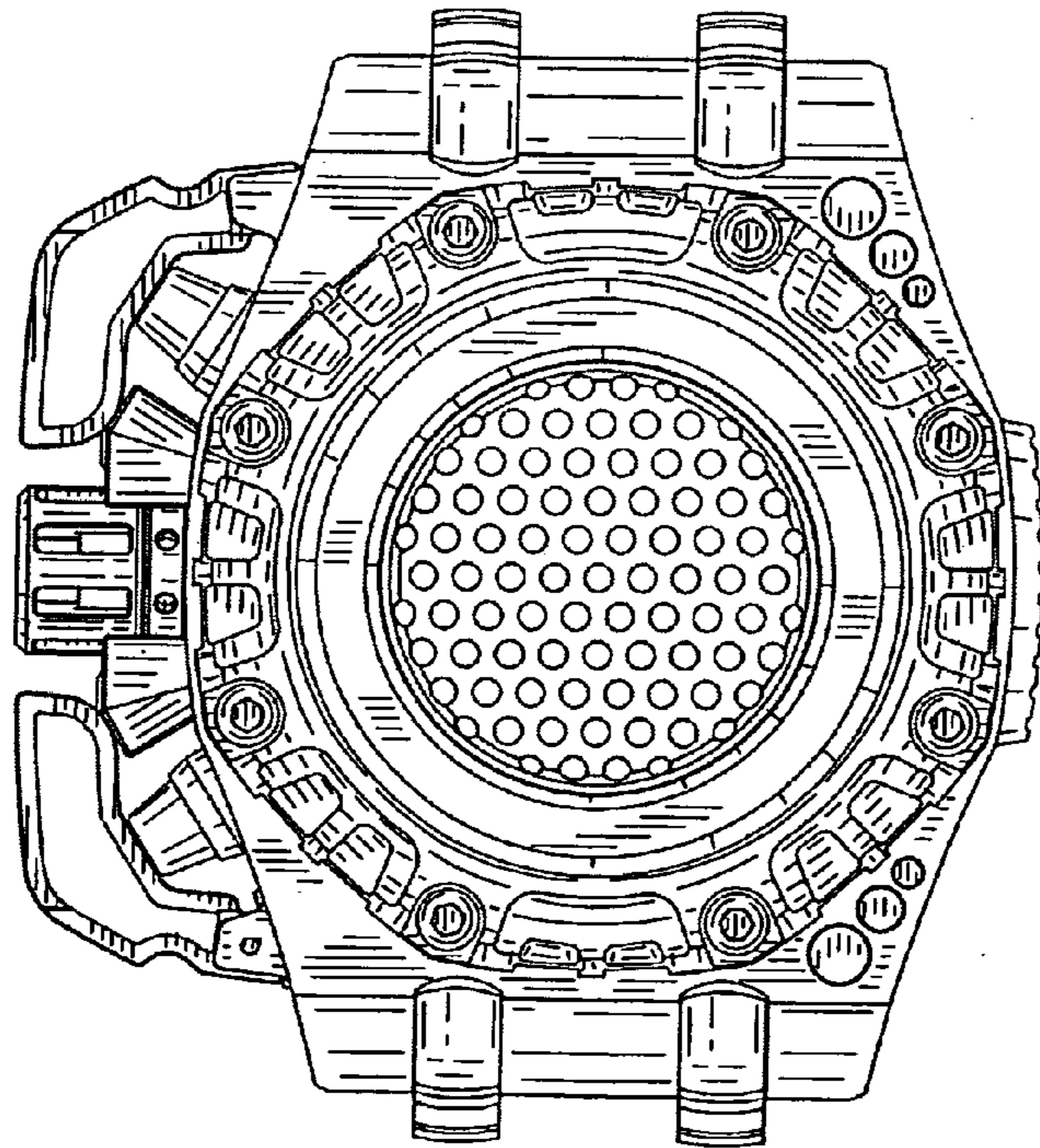
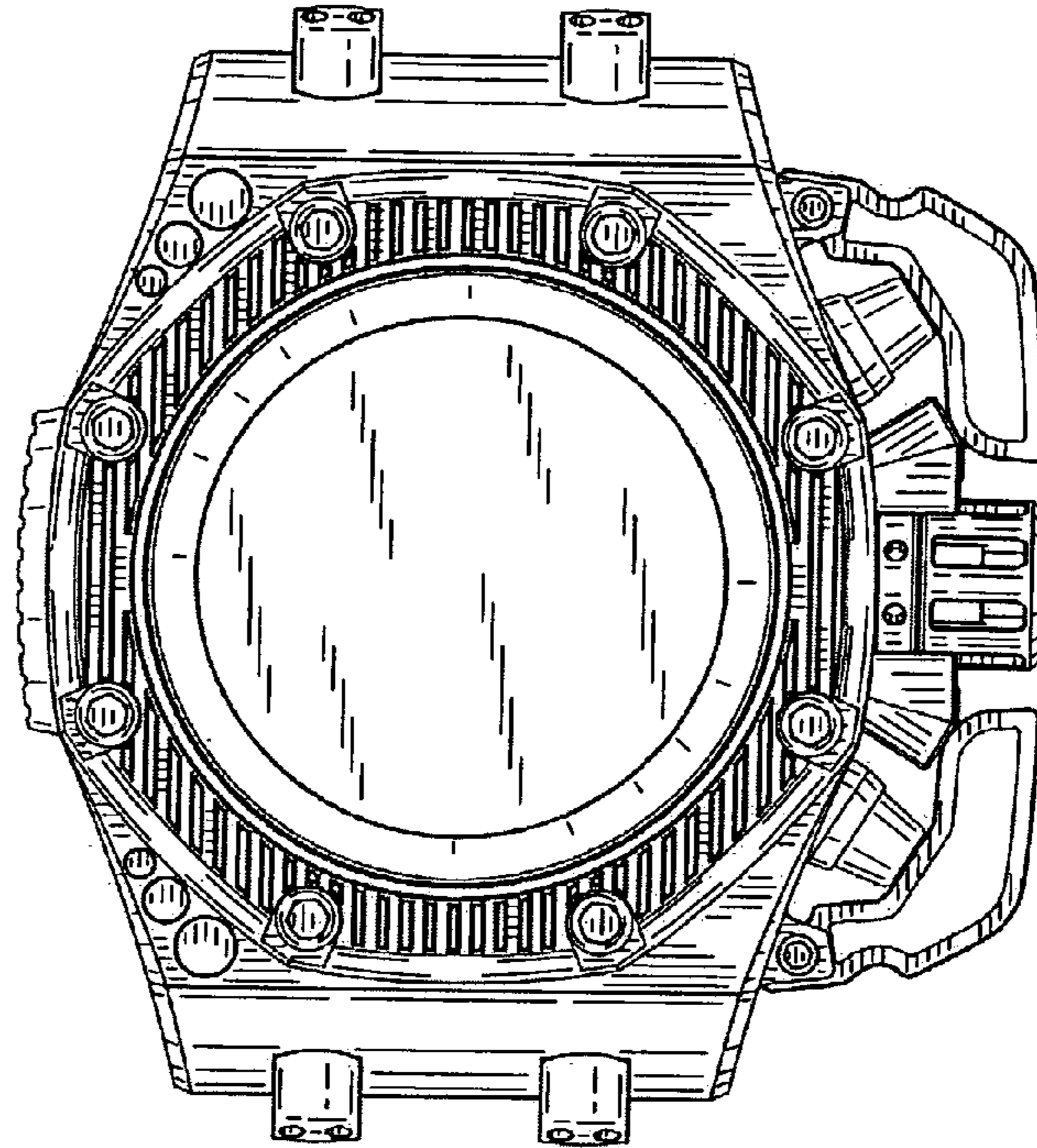


FIG. 3

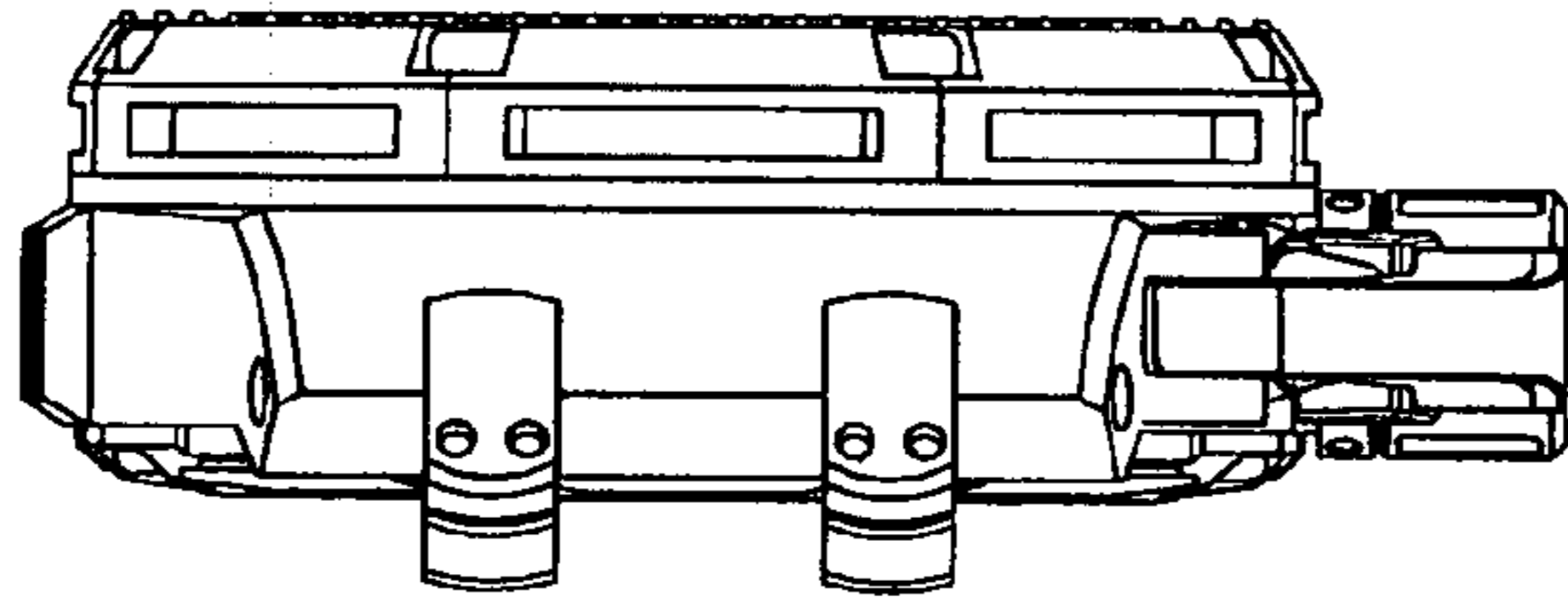


Fig.4

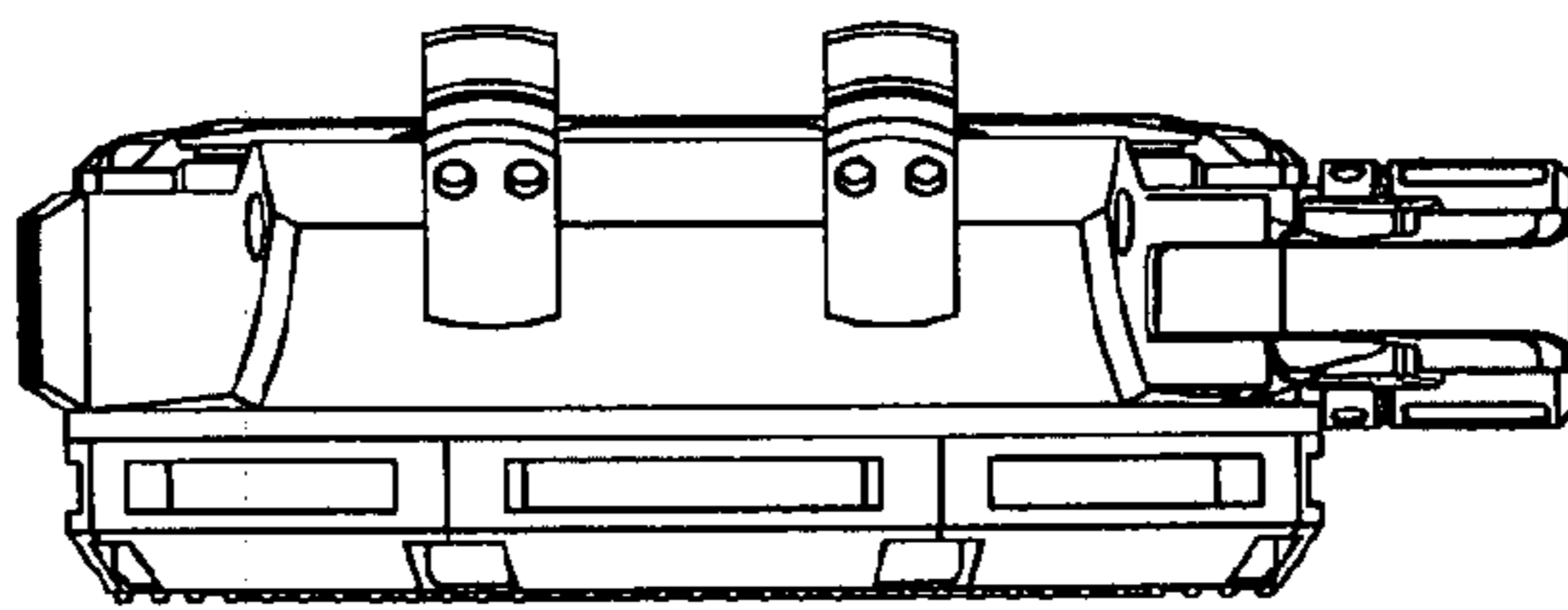


Fig.5

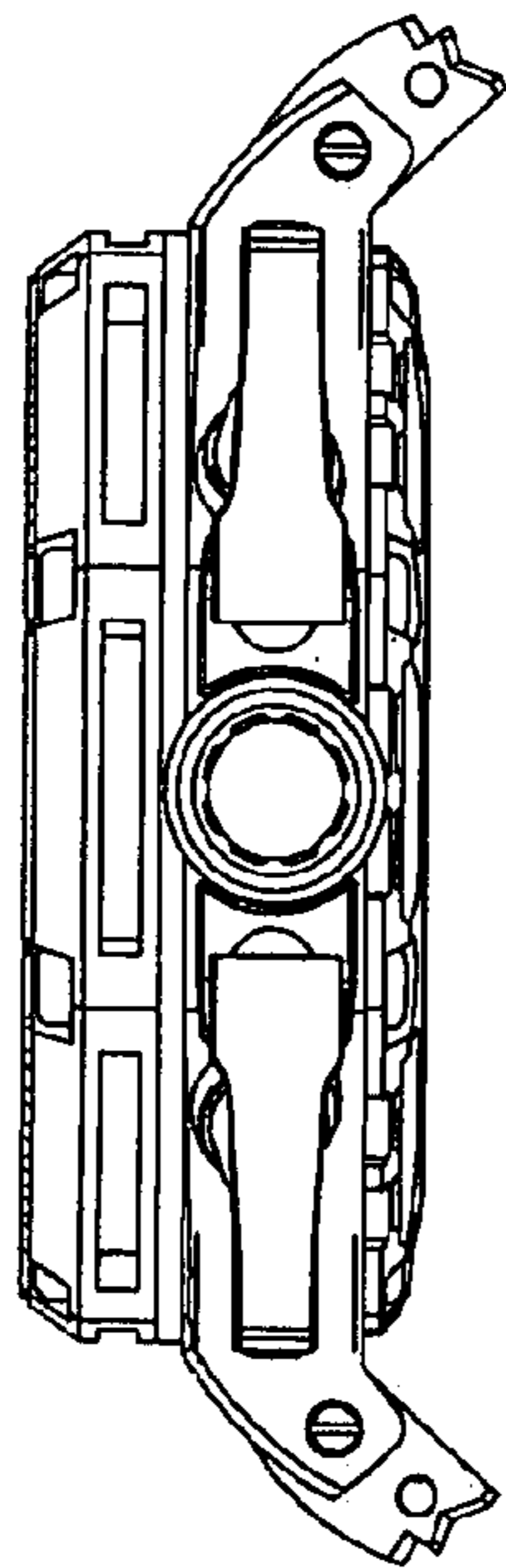


Fig.6

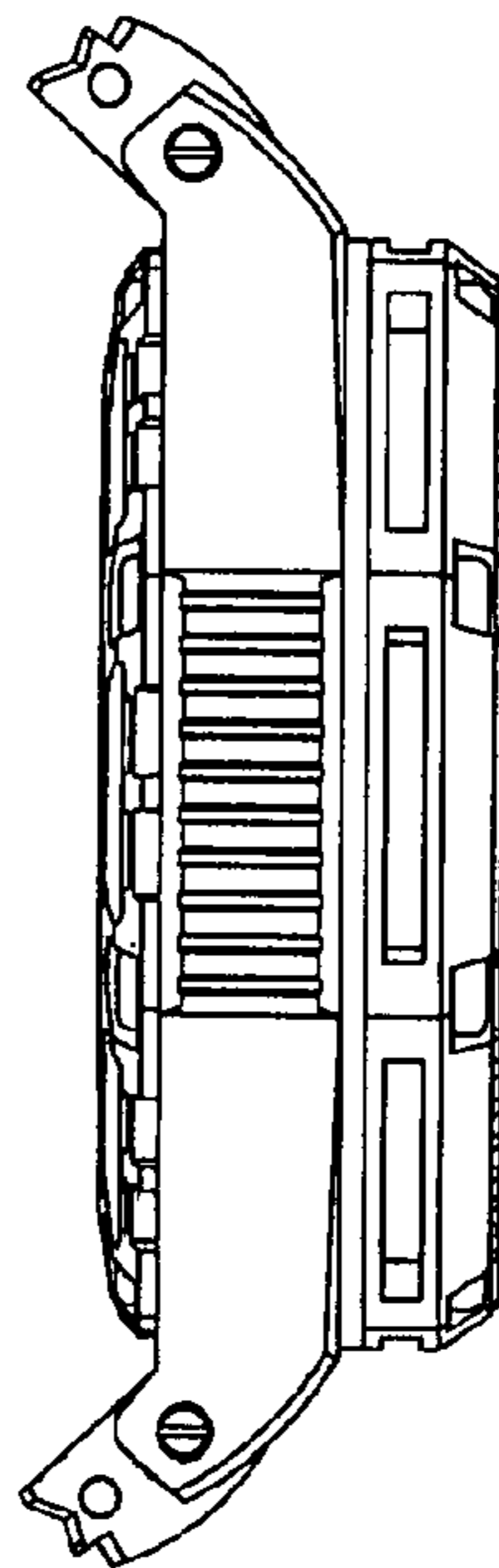


Fig.7