

US00D576037S

(12) **United States Design Patent**
Beam et al.

(10) **Patent No.:** **US D576,037 S**
(45) **Date of Patent:** **** Sep. 2, 2008**

(54) **CONTAINER CAP**

(75) Inventors: **Erin Melcher Beam**, Califon, NJ (US);
Stephen Wahl, San Francisco, CA (US);
Opher Doron Yom Tov, San Francisco,
CA (US); **Alan Regala**, Mountain View,
CA (US); **Stephen Kim**, San Francisco,
CA (US)

(73) Assignee: **McNeil-PPC, Inc.**, Skillman, NJ (US)

(**) Term: **14 Years**

(21) Appl. No.: **29/289,119**

(22) Filed: **Jul. 6, 2007**

Related U.S. Application Data

(63) Continuation of application No. 29/286,015, filed on Apr. 18, 2007, now abandoned, which is a continuation-in-part of application No. 29/285,980, filed on Apr. 18, 2007, which is a continuation-in-part of application No. 29/285,981, filed on Apr. 18, 2007, which is a continuation of application No. 11/375,774, filed on Mar. 15, 2006.

(51) **LOC (8) Cl.** **09-07**

(52) **U.S. Cl.** **D9/449; D9/435**

(58) **Field of Classification Search** D3/5,
D3/11, 203.5, 265, 266; D9/686, 529, 549,
D9/556, 558, 569, 574-575, 420, 423, 435;
215/382-384, 396, 398; 220/660; D28/7,
D28/85

See application file for complete search history.

(56) **References Cited**

U.S. PATENT DOCUMENTS

969,329 A * 9/1910 Blake 220/504
1,748,430 A * 2/1930 Stringham D3/265 X
D242,692 S * 12/1976 Mitchell D9/529
D243,067 S * 1/1977 Mitchell D9/529
4,615,451 A * 10/1986 Rebhan 215/398

D289,565 S * 4/1987 Mann D9/529 X
D302,659 S * 8/1989 Peterson et al. D9/529
D353,227 S * 12/1994 Desgrippes D28/85
D354,909 S * 1/1995 Blanche D9/529 X
D357,186 S * 4/1995 Dinand D9/529
D367,605 S * 3/1996 Moore D9/686
D400,009 S * 10/1998 Conway D3/265
D432,784 S * 10/2000 Conway D3/203.5
D453,071 S * 1/2002 Chen D3/265
D455,261 S * 4/2002 Browne D3/265
D466,685 S * 12/2002 Gref D3/11
D471,804 S * 3/2003 Staples D9/423
D473,461 S * 4/2003 Joubert D9/423
D531,030 S * 10/2006 Nukuto et al. D9/445
D558,051 S * 12/2007 Born et al. D9/529

OTHER PUBLICATIONS

Container for Johnson's Bebe Young Care pH 5.5 Alcohol-Free Toner, Ca. 1999.

* cited by examiner

Primary Examiner—Carol Rademaker

(74) *Attorney, Agent, or Firm*—Karen Horowitz

(57) **CLAIM**

The ornamental design for a container cap, as shown and described.

DESCRIPTION

FIG. 1 is a top, back, and right side perspective view of a container cap showing my new design;

FIG. 2 is a right side elevational view thereof;

FIG. 3 is left side elevational view thereof;

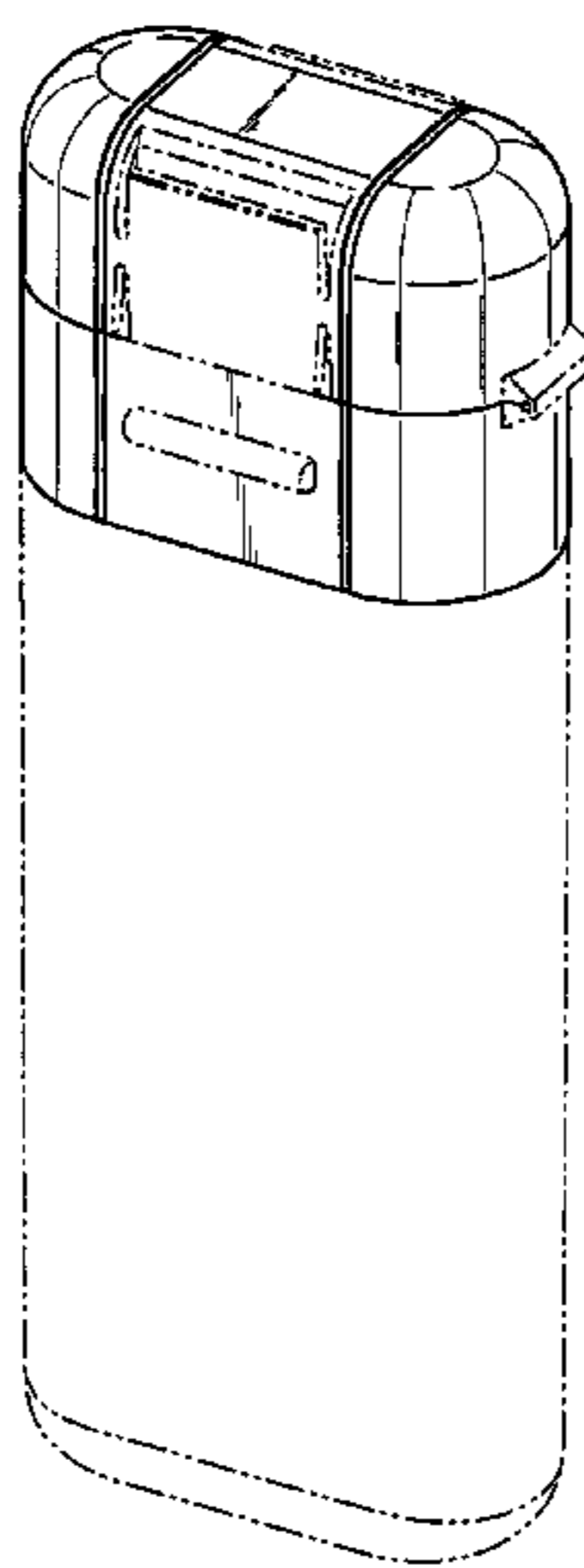
FIG. 4 is a front elevational view thereof;

FIG. 5 is a back elevational view thereof; and,

FIG. 6 is a top plan view thereof.

The broken lines in the drawings are environmental and for illustrative purposes only and form no part of the claimed design.

1 Claim, 6 Drawing Sheets



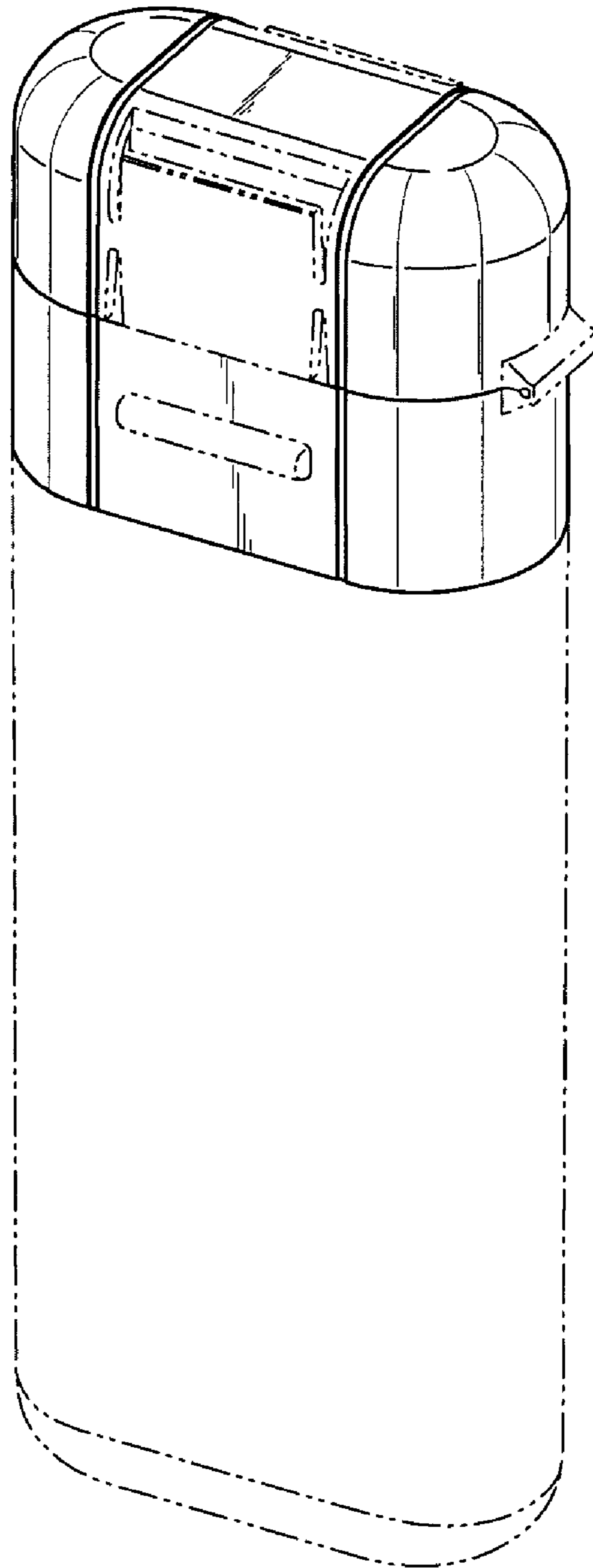


Fig. 1

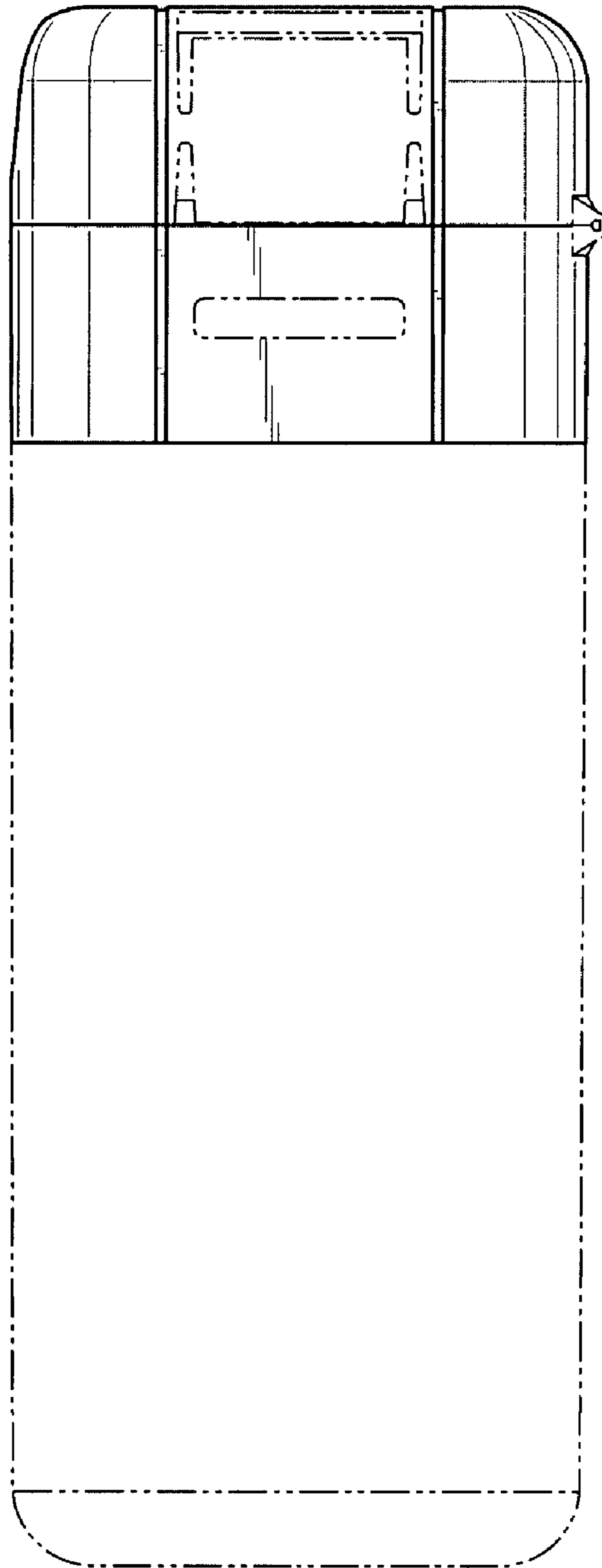


Fig. 2



Fig. 3

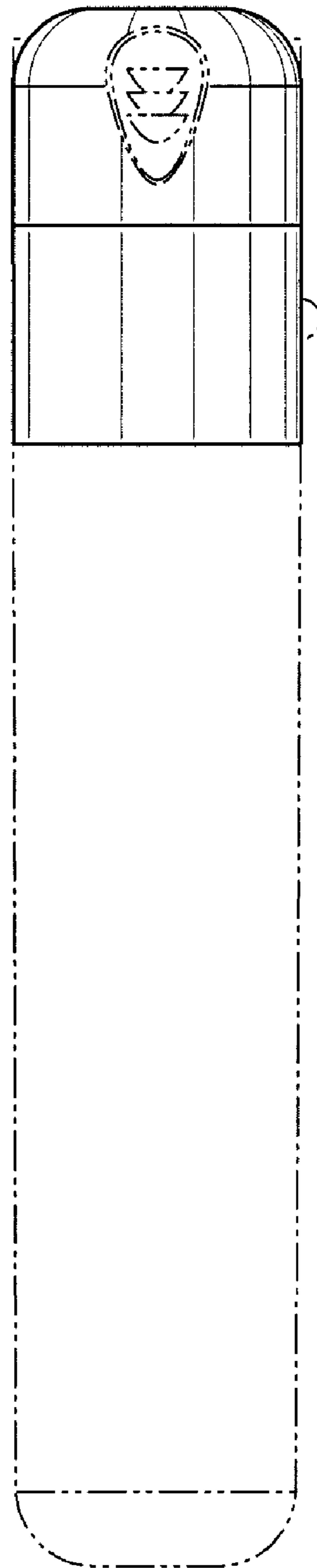


Fig. 4

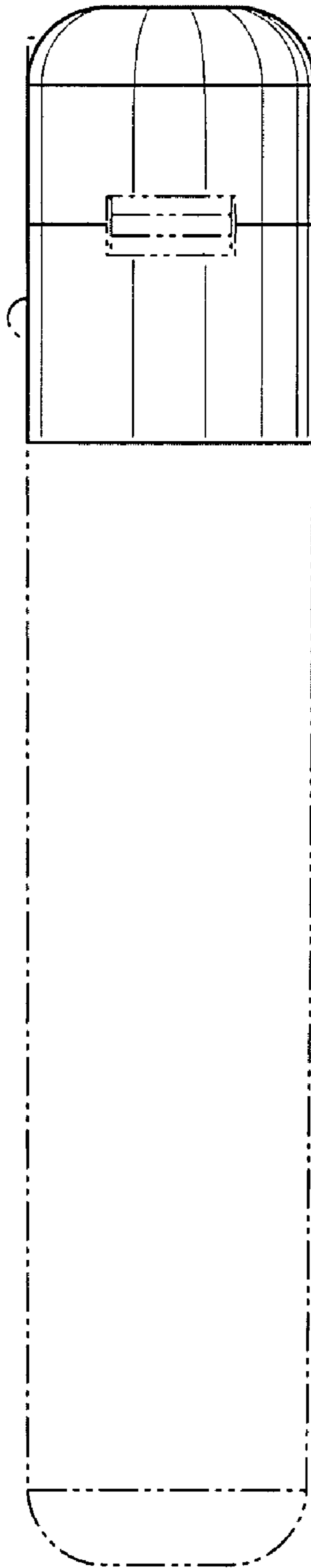


Fig. 5

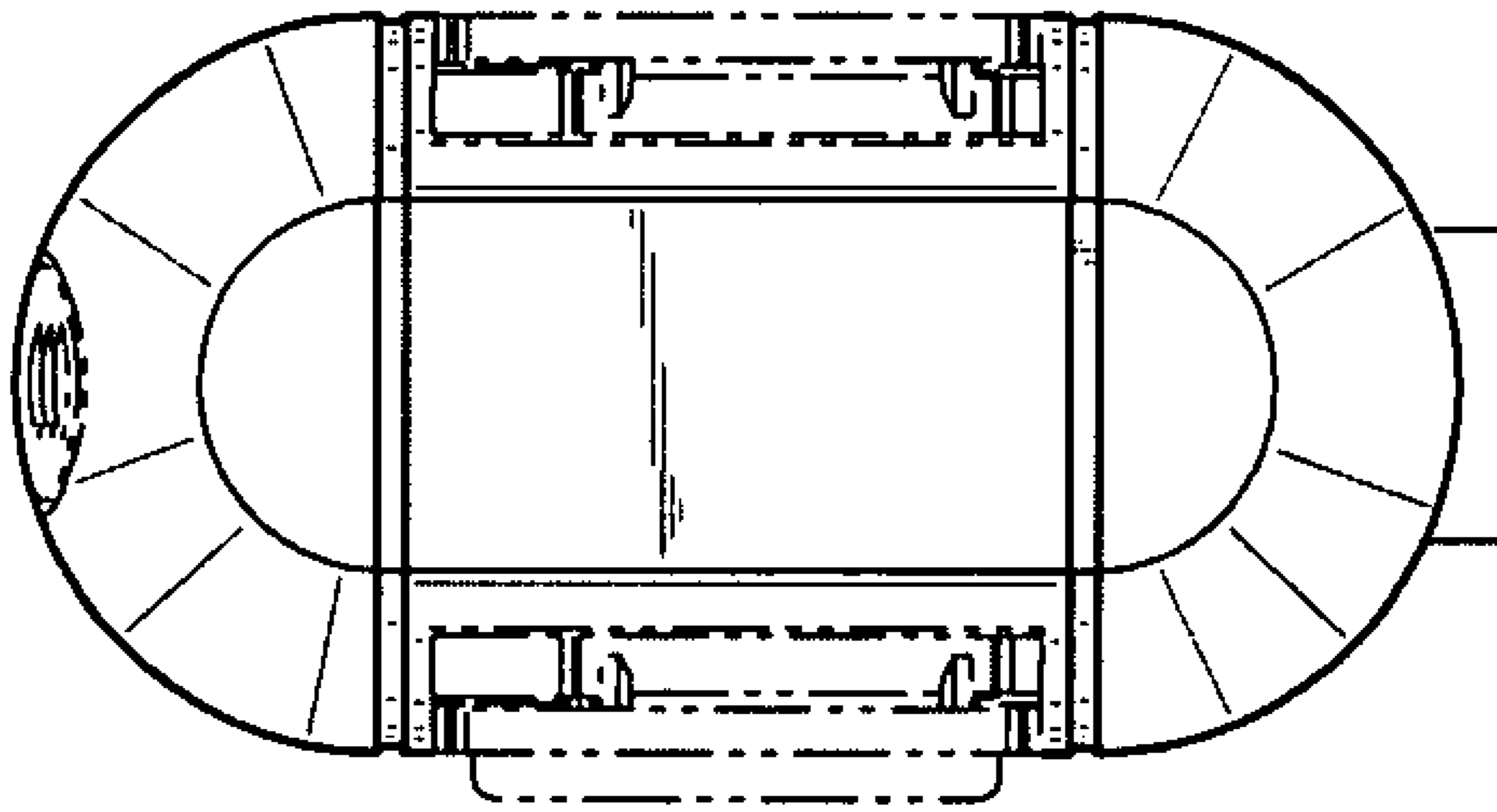


Fig. 6