



US00D576030S

(12) **United States Design Patent**
Lee et al.

(10) **Patent No.:** **US D576,030 S**
(45) **Date of Patent:** **** Sep. 2, 2008**

- (54) **CABLE DISPLAY PACKAGE**
- (75) Inventors: **Noel Lee**, Las Vegas, NV (US);
Kendrew Lee, San Jose, CA (US);
Jacky Hsiung, San Jose, CA (US)
- (73) Assignee: **Monster Cable Products, Inc.**,
Brisbane, CA (US)
- (**) Term: **14 Years**
- (21) Appl. No.: **29/299,430**
- (22) Filed: **Dec. 26, 2007**
- (51) **LOC (8) Cl.** **09-03**
- (52) **U.S. Cl.** **D9/415; D9/425**
- (58) **Field of Classification Search** D9/414-416,
D9/418, 420, 424-432, 433, 443, 527-530,
D9/704, 730-734, 751-757; D7/354, 360,
D7/505, 540-545, 554, 565-567, 570, 574,
D7/584-586, 590, 604, 629, 667; D30/123,
D30/129-133; 426/115, 122, 394; 206/162,
206/170, 216, 469, 471, 497, 508, 536, 557,
206/804, 815; 220/4.21-4.22, 266, 350,
220/470, 471, 495.01, 557, 574, 618, 793;
229/117.14, 117.18, 123.1, 125.35, 220,
229/406, 362.4; D3/203.2, 304, 314, 294,
D3/323; 221/250, 260, 267, 281, 299, 807
See application file for complete search history.

(56) **References Cited**

U.S. PATENT DOCUMENTS

- D237,591 S * 11/1975 Gutkowski D9/425
- D267,777 S * 2/1983 Niimi et al. D9/737
- D306,561 S * 3/1990 Lee D9/415
- D396,632 S * 8/1998 Lee D9/415
- D400,096 S * 10/1998 Lee D9/415
- D405,367 S * 2/1999 Lee et al. D9/415
- D405,368 S * 2/1999 Lee D9/415
- D405,688 S * 2/1999 Lee et al. D9/415
- D406,753 S * 3/1999 Lee D9/415
- D408,280 S * 4/1999 Manley et al. D9/415
- D418,407 S * 1/2000 Uzawa D9/415
- D431,461 S * 10/2000 Glassman D9/415
- D433,937 S * 11/2000 Glassman D9/415
- D434,316 S * 11/2000 Simmers D9/415
- D474,023 S * 5/2003 Vasudeva D3/315

- D482,965 S * 12/2003 Spiegel D9/415
- D485,752 S * 1/2004 Milan D9/415
- D496,268 S * 9/2004 Stamm et al. D9/415
- D499,964 S * 12/2004 Elliott et al. D9/415
- D503,882 S * 4/2005 Milan D9/415
- D504,064 S * 4/2005 Lee et al. D9/415
- D508,844 S * 8/2005 Calcerano D9/415
- D517,908 S * 3/2006 Kent et al. D9/415
- D517,909 S * 3/2006 Kent et al. D9/415
- D521,861 S * 5/2006 Lee et al. D9/415
- D524,643 S * 7/2006 Legrand D9/415
- D554,492 S * 11/2007 Bochmann et al. D9/415
- D554,493 S * 11/2007 Bochmann et al. D9/415

* cited by examiner

Primary Examiner—Robert M. Spear
Assistant Examiner—Susan E Krakower

(74) *Attorney, Agent, or Firm*—LaRiviere, Grubman & Payne, LLP

(57) **CLAIM**

The ornamental design for a cable display package, as shown and described.

DESCRIPTION

A portion of the disclosure of this patent document contains material which is subject to copyright protection. The copyright owner has no objection to the facsimile reproduction by any one of the patent document or the patent disclosure, as it appears in the Patent and Trademark Office patent file or records, but otherwise reserves all copyright rights whatsoever.

FIG. 1 is a perspective view of a cable display package, showing our new design;

FIG. 2 is a front elevation view thereof;

FIG. 3 is a rear elevation view thereof;

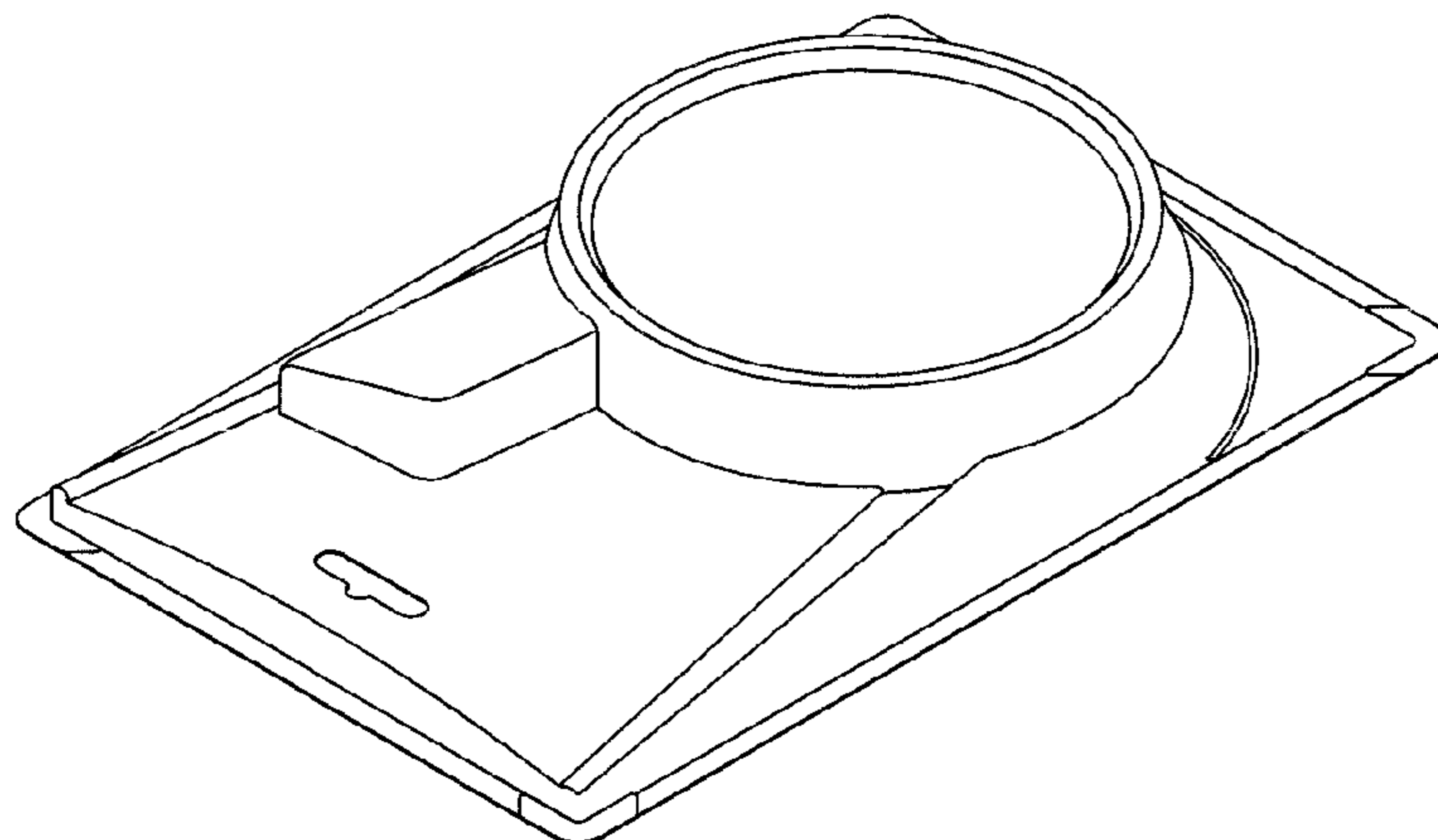
FIG. 4 is a side elevation view thereof;

FIG. 5 is a side elevation view of the opposite side view shown in FIG. 4;

FIG. 6 is a top plan view thereof; and,

FIG. 7 is a bottom plan view thereof.

1 Claim, 3 Drawing Sheets



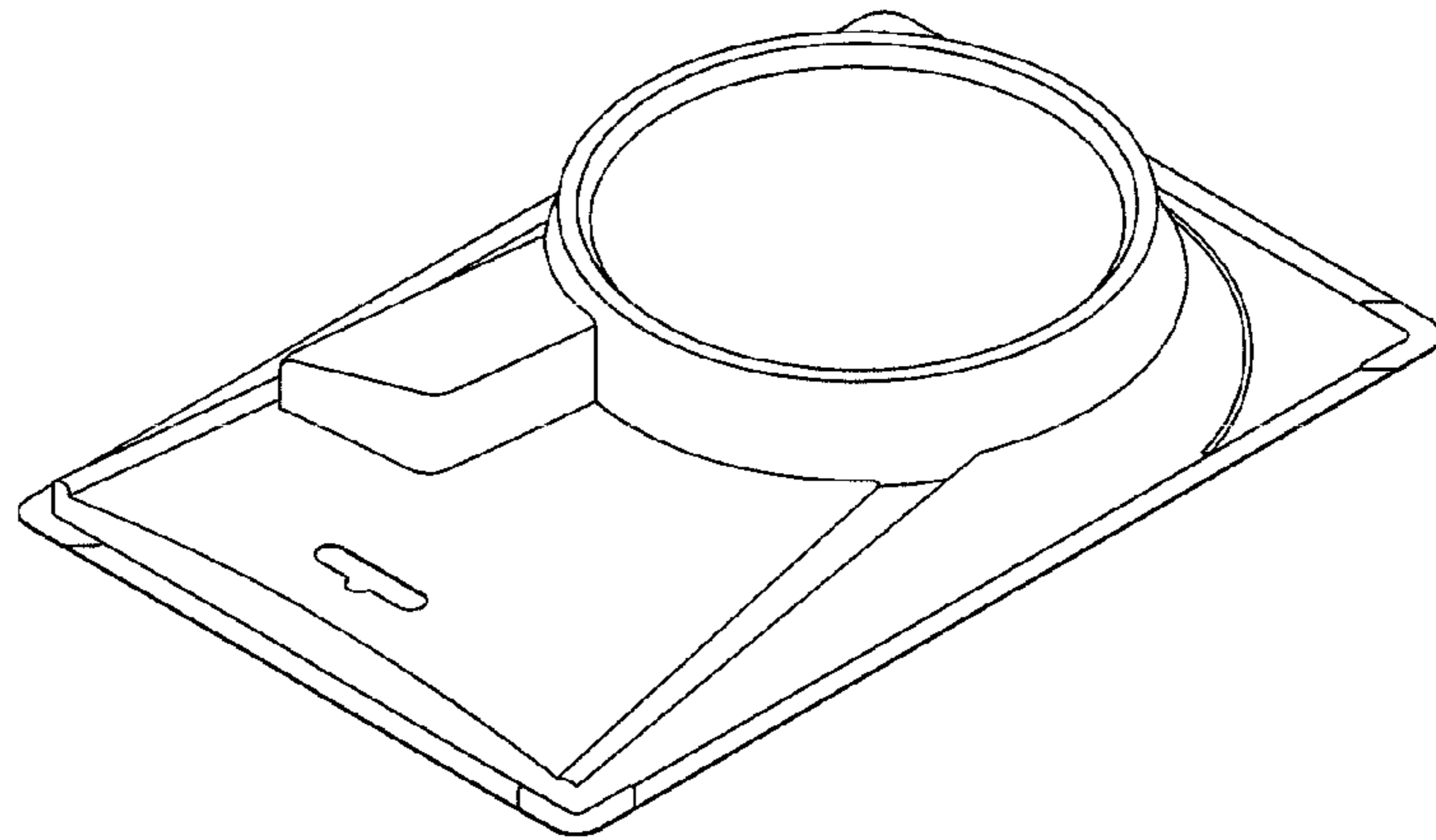


Figure 1

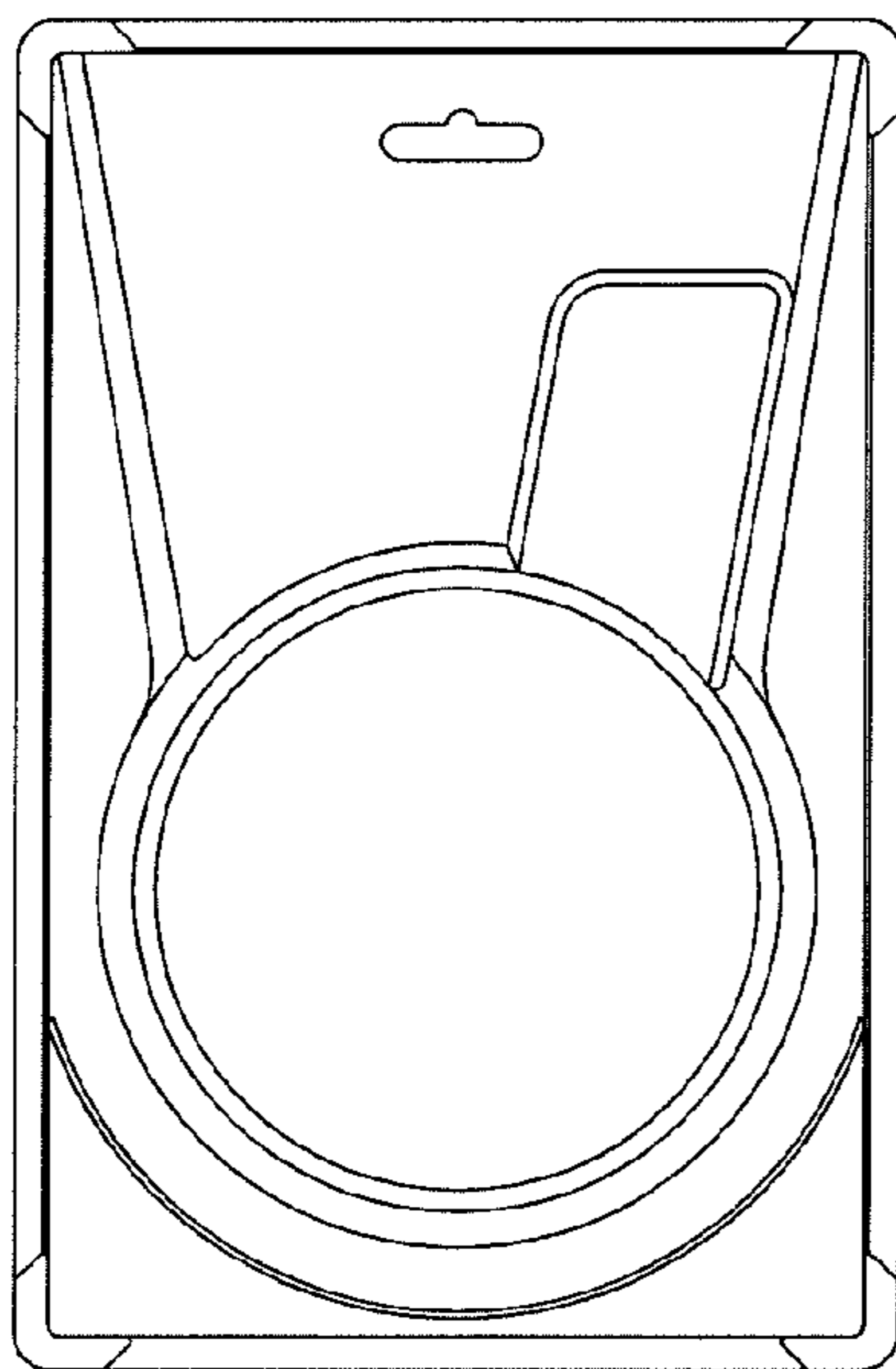


Figure 2

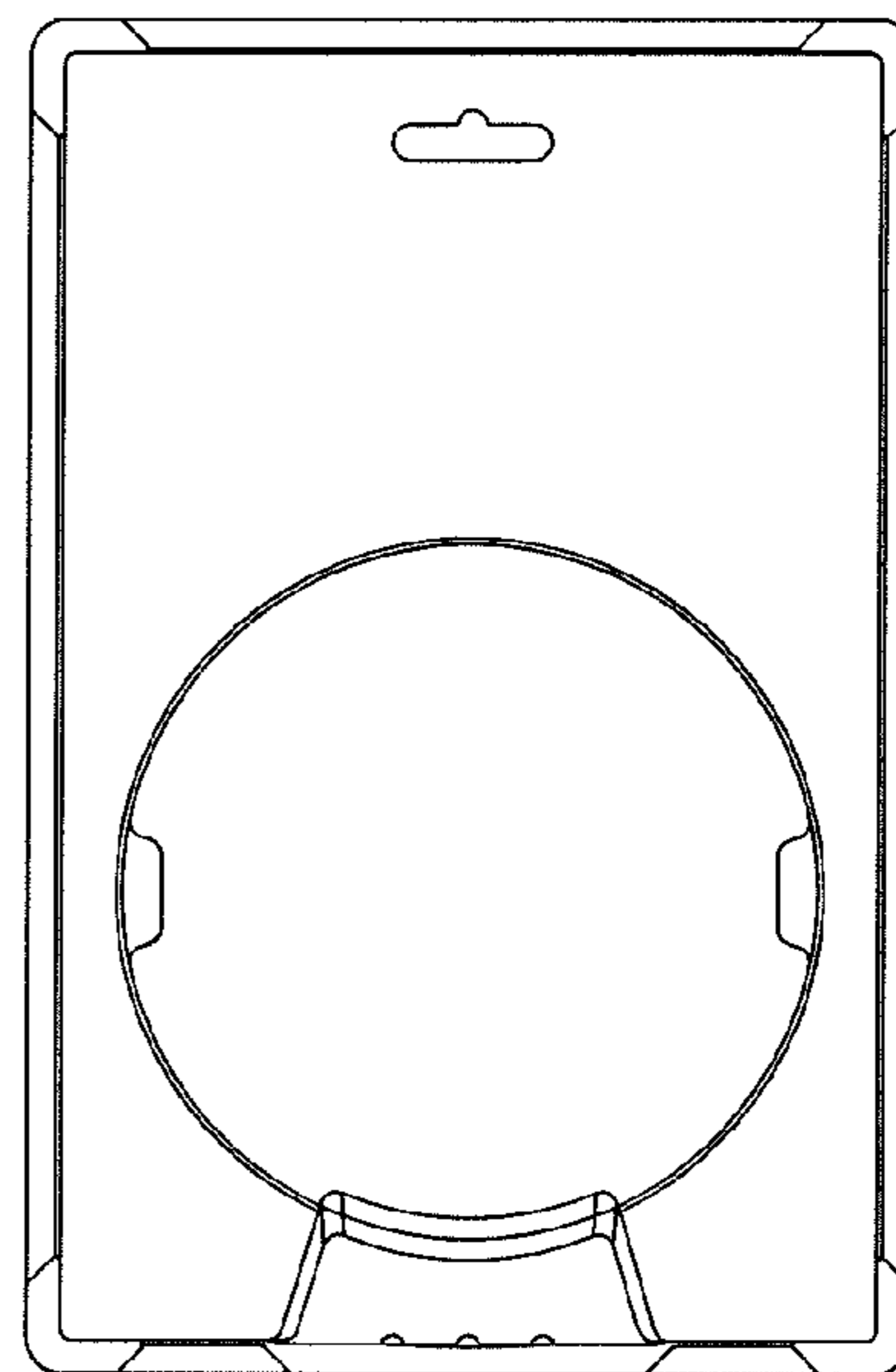


Figure 3

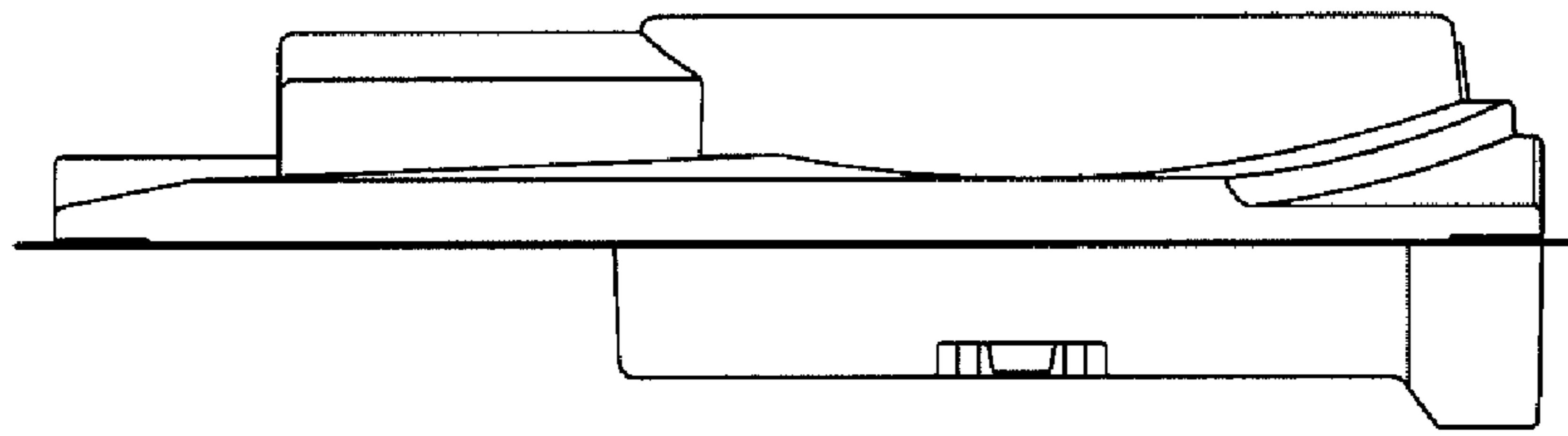


Figure 4

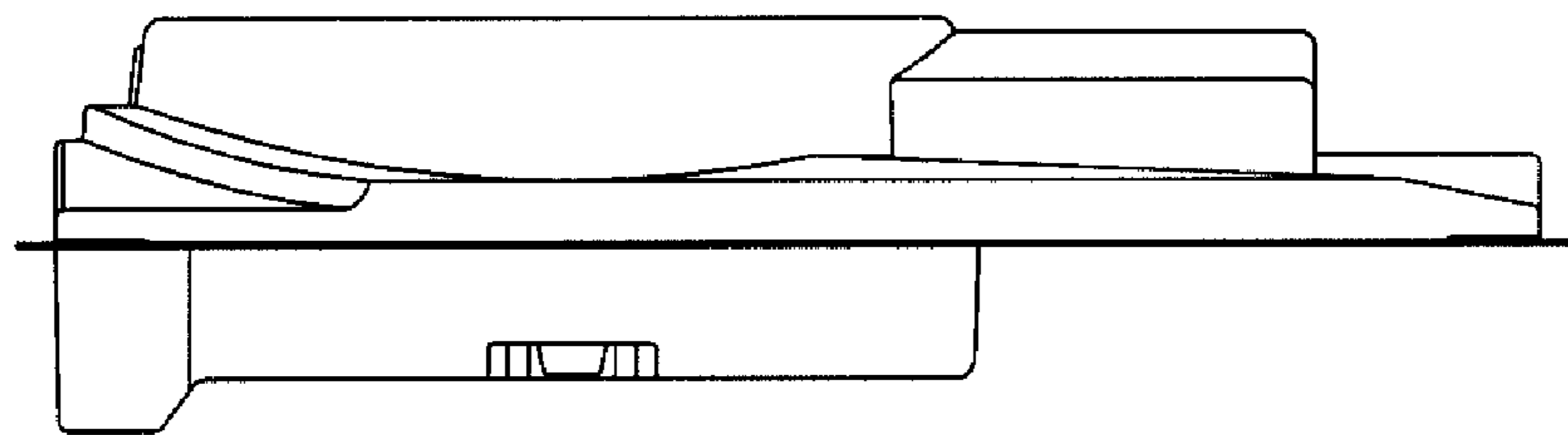


Figure 5

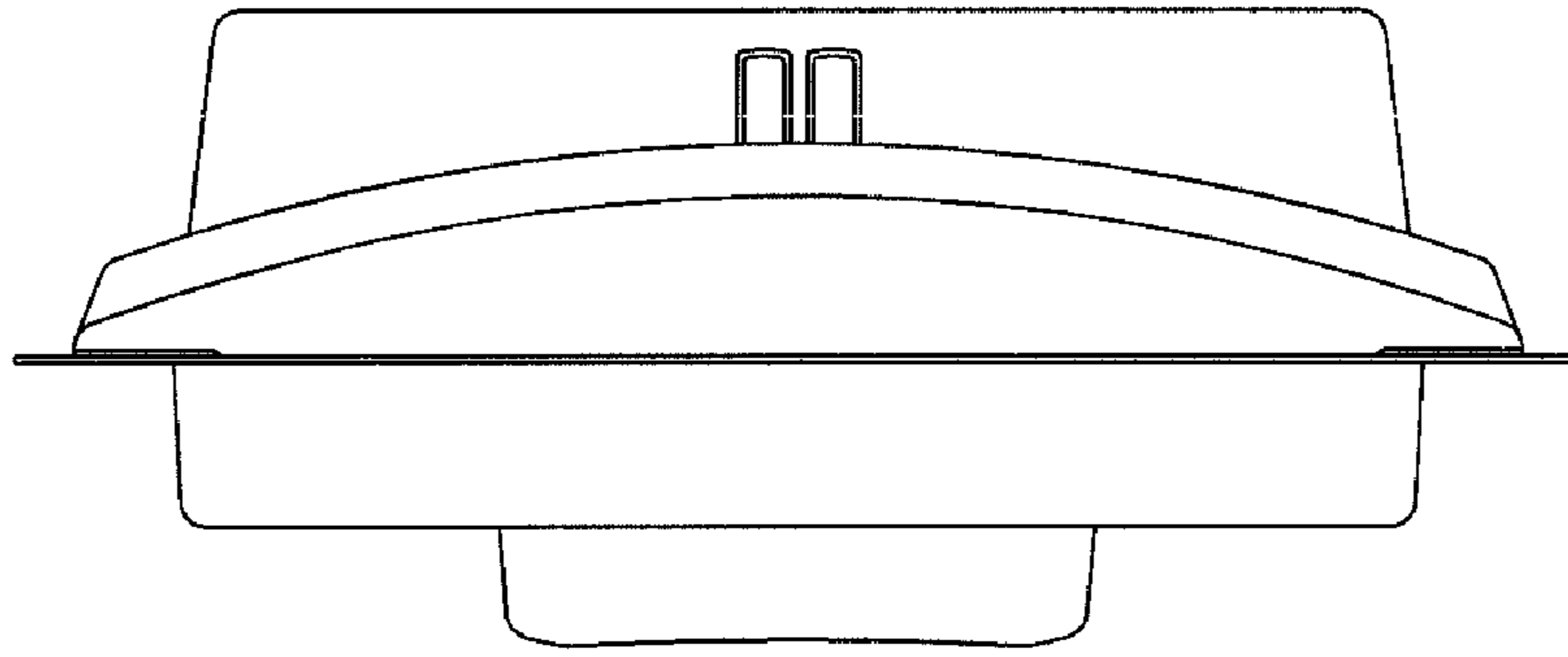


Figure 6

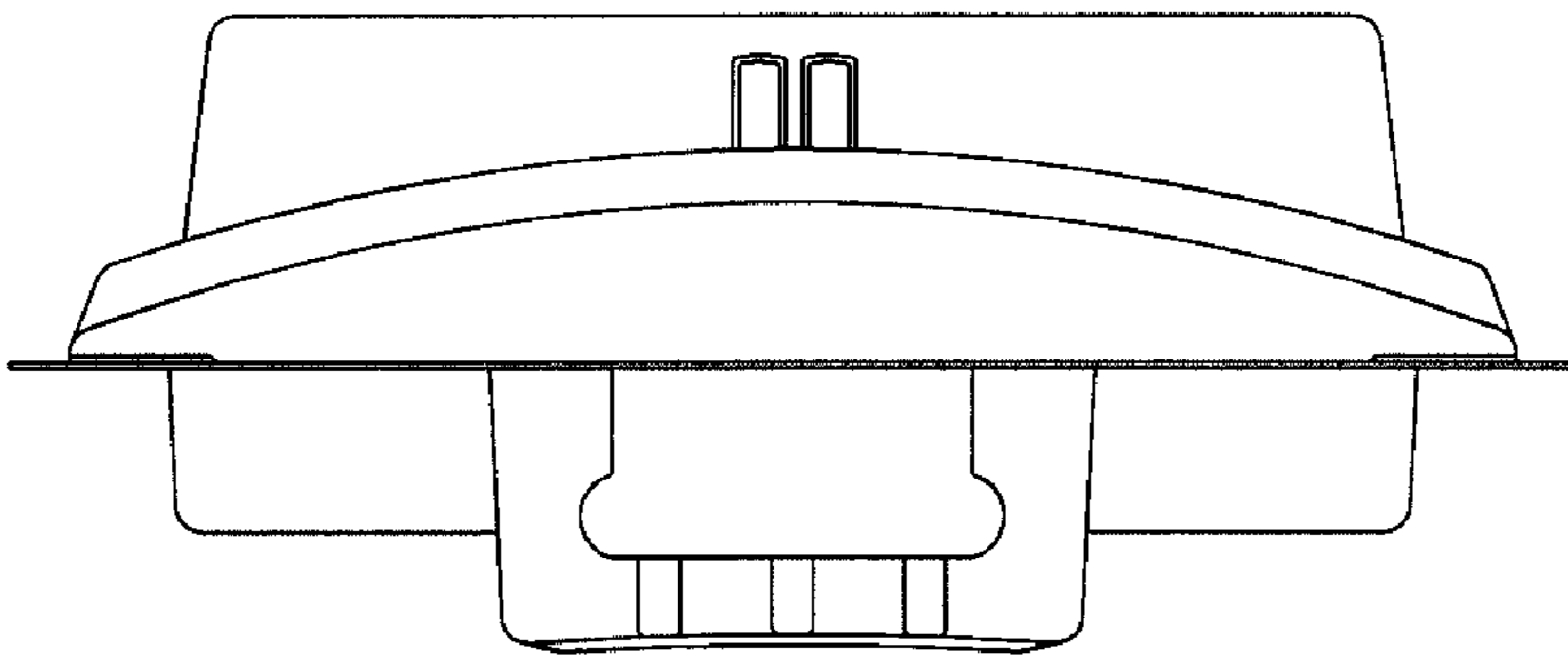


Figure 7