



US00D576028S

(12) **United States Design Patent**
Lin

(10) **Patent No.:** **US D576,028 S**

(45) **Date of Patent:** **** Sep. 2, 2008**

(54) **NUT**
(75) **Inventor:** **Morries Lin**, Rende Township, Tainan County (TW)

(73) **Assignee:** **Tech Stell Co., Ltd.**, Tainan County (TW)

(**) **Term:** **14 Years**

(21) **Appl. No.:** **29/282,571**

(22) **Filed:** **Jul. 24, 2007**

(51) **LOC (8) Cl.** **08-08**

(52) **U.S. Cl.** **D8/397**

(58) **Field of Classification Search** D8/382, D8/387, 394, 397-399, 29; 81/121.1; 222/412; 411/81, 88, 90-93, 96-98, 103, 114, 106-108, 411/132-165, 172-189, 337, 338, 366.1-366.3, 411/368, 369, 371.2, 371.5, 418, 427, 429-432, 411/436, 437, 526, 531-538, 542, 544; D12/213
See application file for complete search history.

(56) **References Cited**

U.S. PATENT DOCUMENTS

D56,847	S	*	1/1921	Armstrong	D8/399
1,607,273	A	*	11/1926	Hecht	411/432
1,632,991	A	*	6/1927	Booth	411/429
2,101,514	A	*	12/1937	Schmaus	285/46
2,923,339	A	*	2/1960	Skidmore	411/277
3,000,420	A	*	9/1961	Spokes	411/180
3,399,705	A	*	9/1968	Breed et al.	411/180
3,577,577	A	*	5/1971	Zak	470/163
3,824,675	A	*	7/1974	Ballantyne	29/445
4,132,145	A	*	1/1979	Becker	411/427
4,571,452	A	*	2/1986	Giubileo	174/77 R

5,080,544	A	*	1/1992	Bruyere	411/120
6,050,741	A	*	4/2000	Aultman et al.	403/374.1
D453,000	S	*	1/2002	Shinjo et al.	D8/397
D484,036	S	*	12/2003	Koch	D8/397
6,764,264	B2	*	7/2004	Lin	411/431
7,278,341	B1	*	10/2007	Novin et al.	81/121.1
D557,132	S	*	12/2007	Shinjo	D8/397
7,331,874	B2	*	2/2008	Lin	470/41
2002/0028122	A1	*	3/2002	Kuo et al.	411/429
2007/0243040	A1	*	10/2007	Chen	411/161

FOREIGN PATENT DOCUMENTS

ES	EC-199013-0002	*	7/2004
GB	2426801 A	*	12/2006

* cited by examiner

Primary Examiner—T. Chase Nelson
Assistant Examiner—Karen Acker

(74) *Attorney, Agent, or Firm*—Alan Kamrath; Kamrath & Associates PA

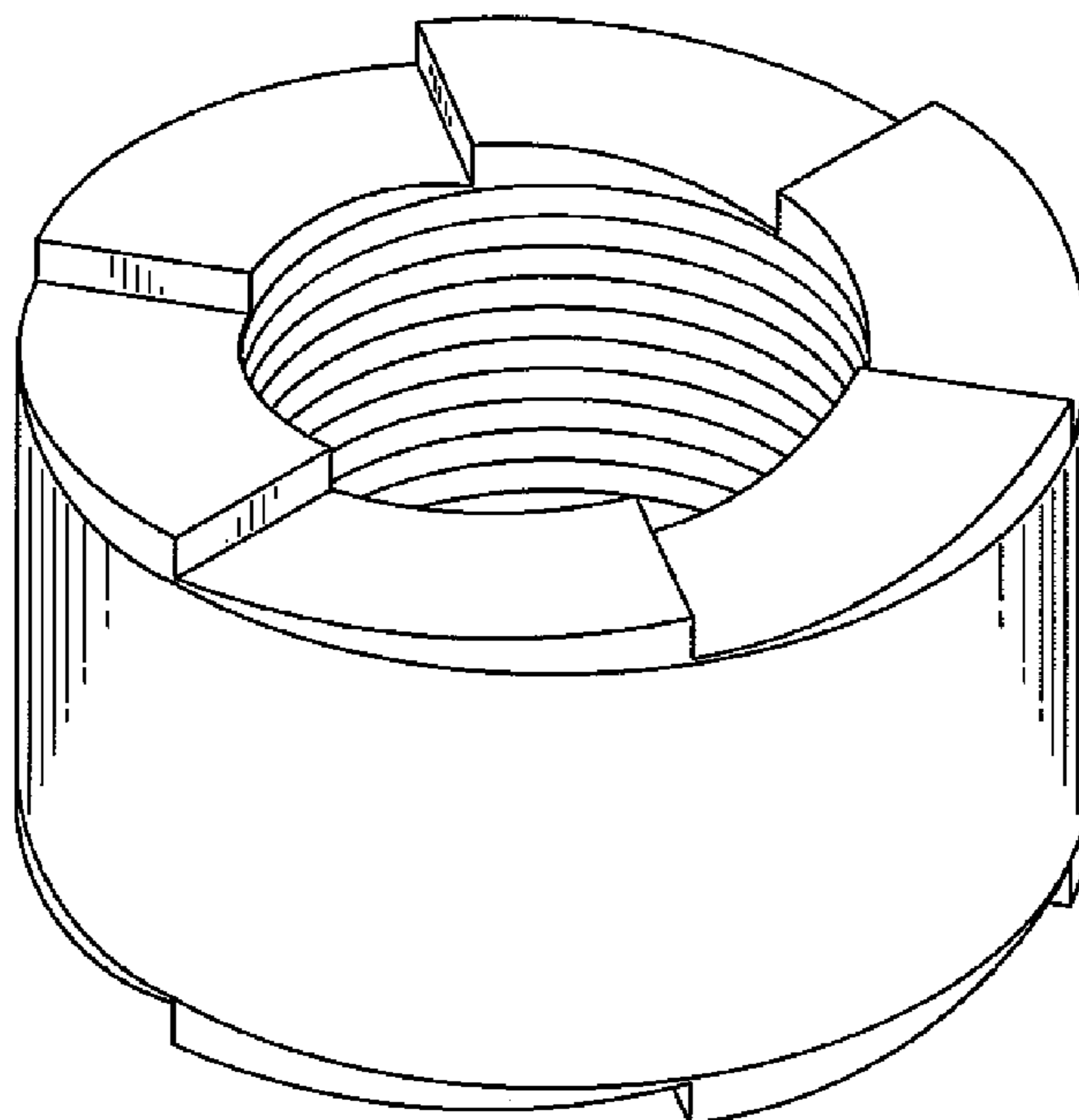
(57) **CLAIM**

The ornamental design for a nut, as shown and described.

DESCRIPTION

FIG. 1 is a perspective view of a nut showing my design;
FIG. 2 is a front elevational view thereof;
FIG. 3 is a rear elevational view thereof;
FIG. 4 is a left side elevational view thereof;
FIG. 5 is a right side elevational view thereof;
FIG. 6 is a top plan view thereof; and,
FIG. 7 is a bottom plan view thereof.

1 Claim, 7 Drawing Sheets



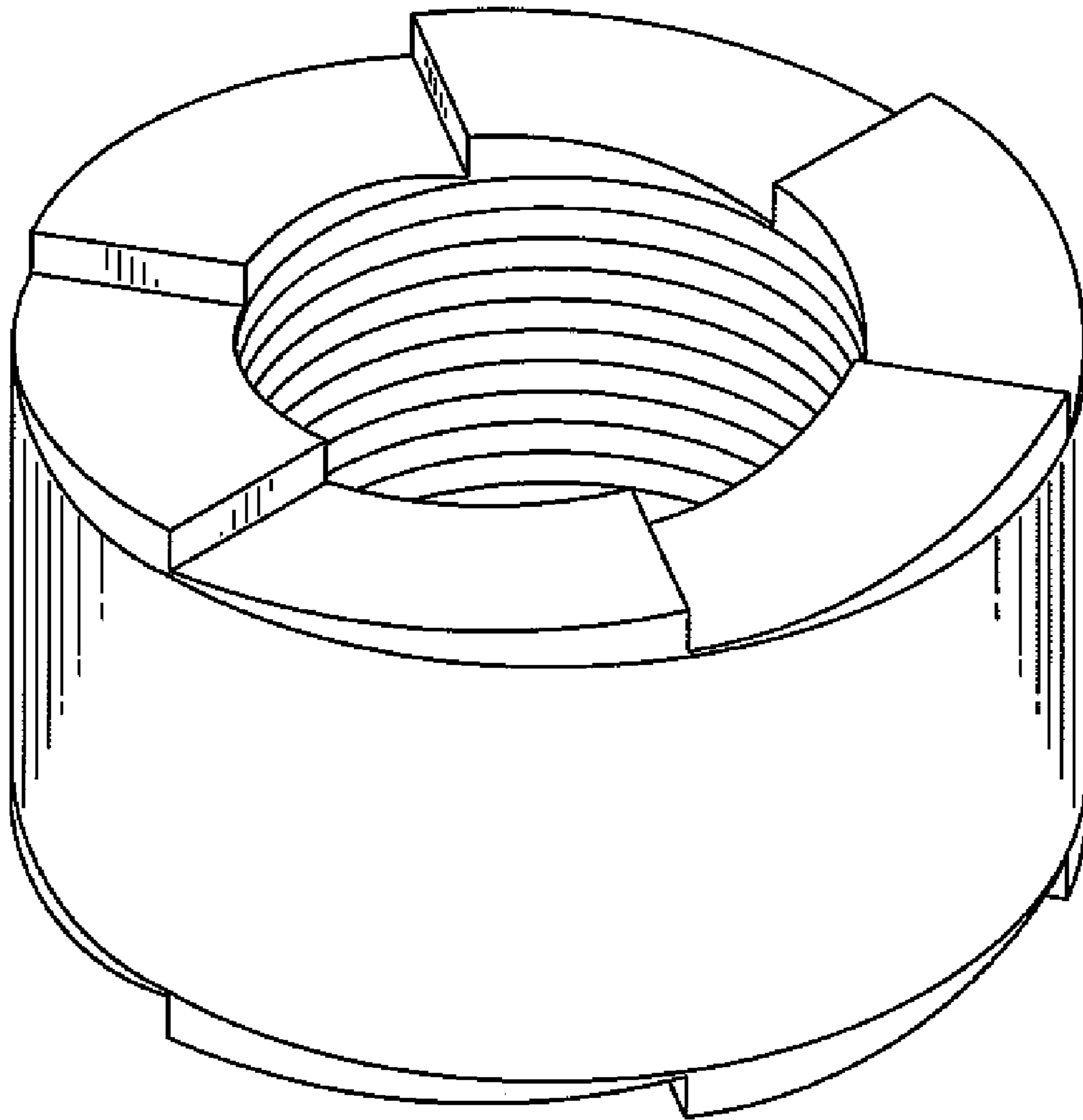


FIG. 1

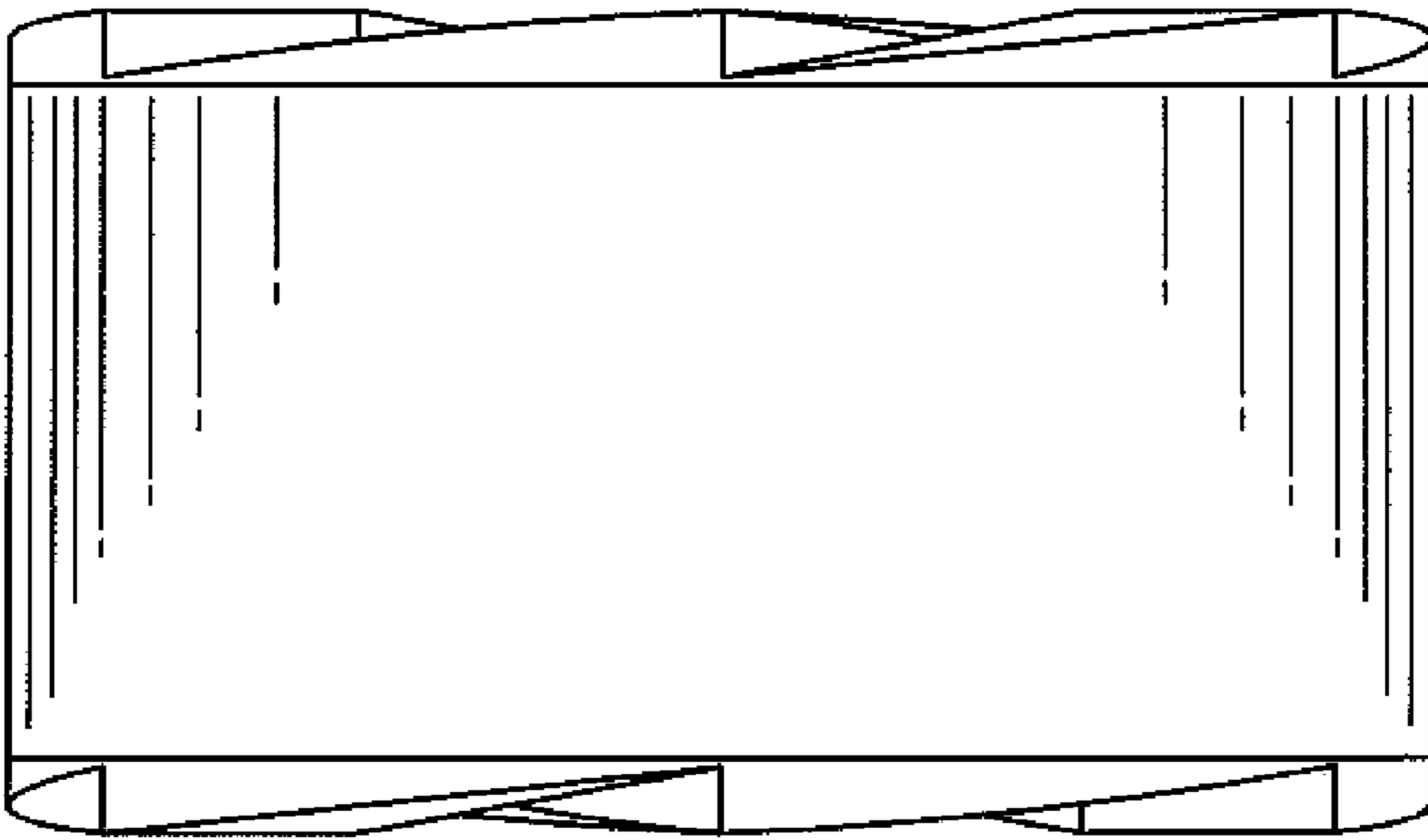


FIG. 2

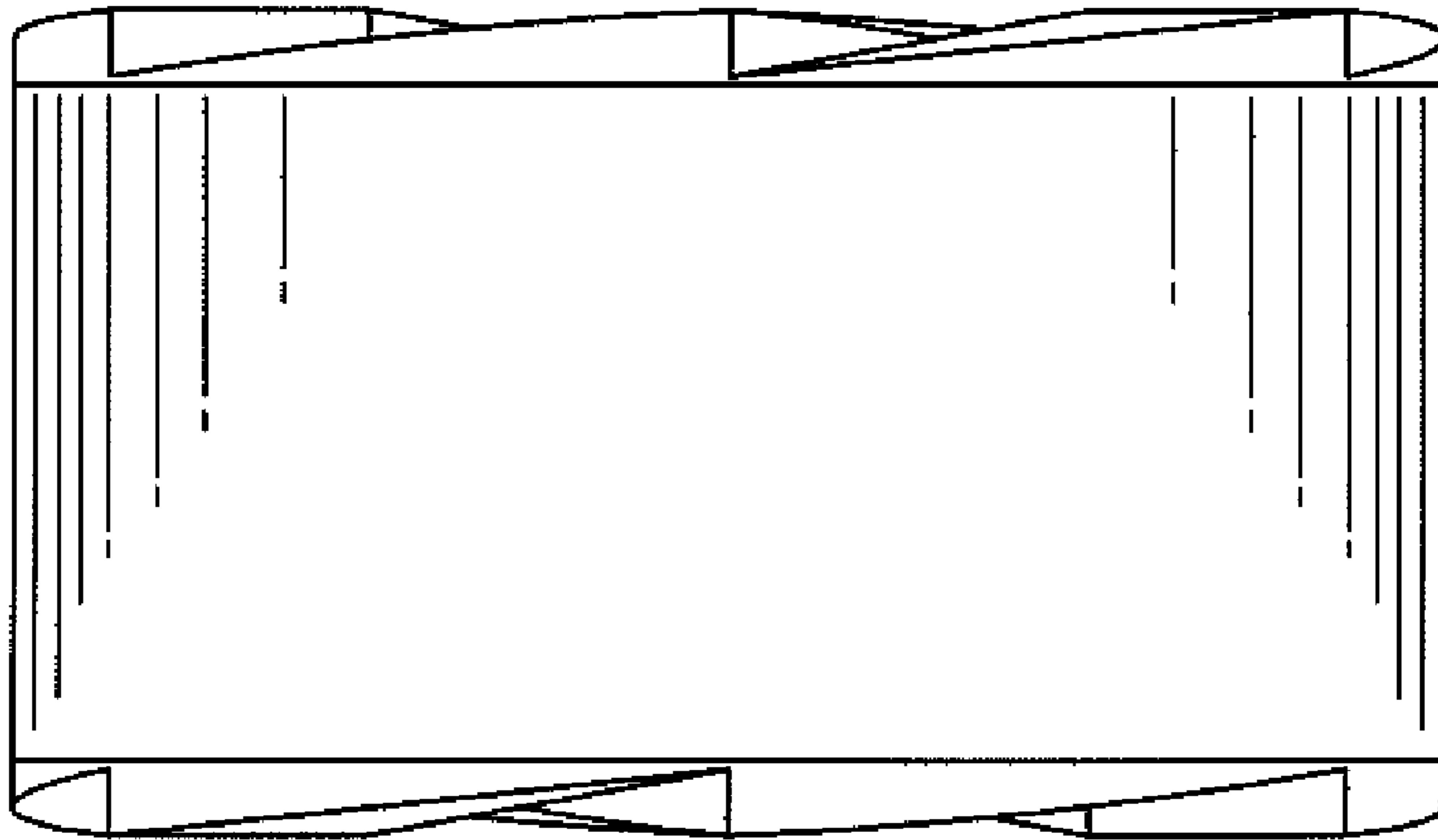


FIG. 3

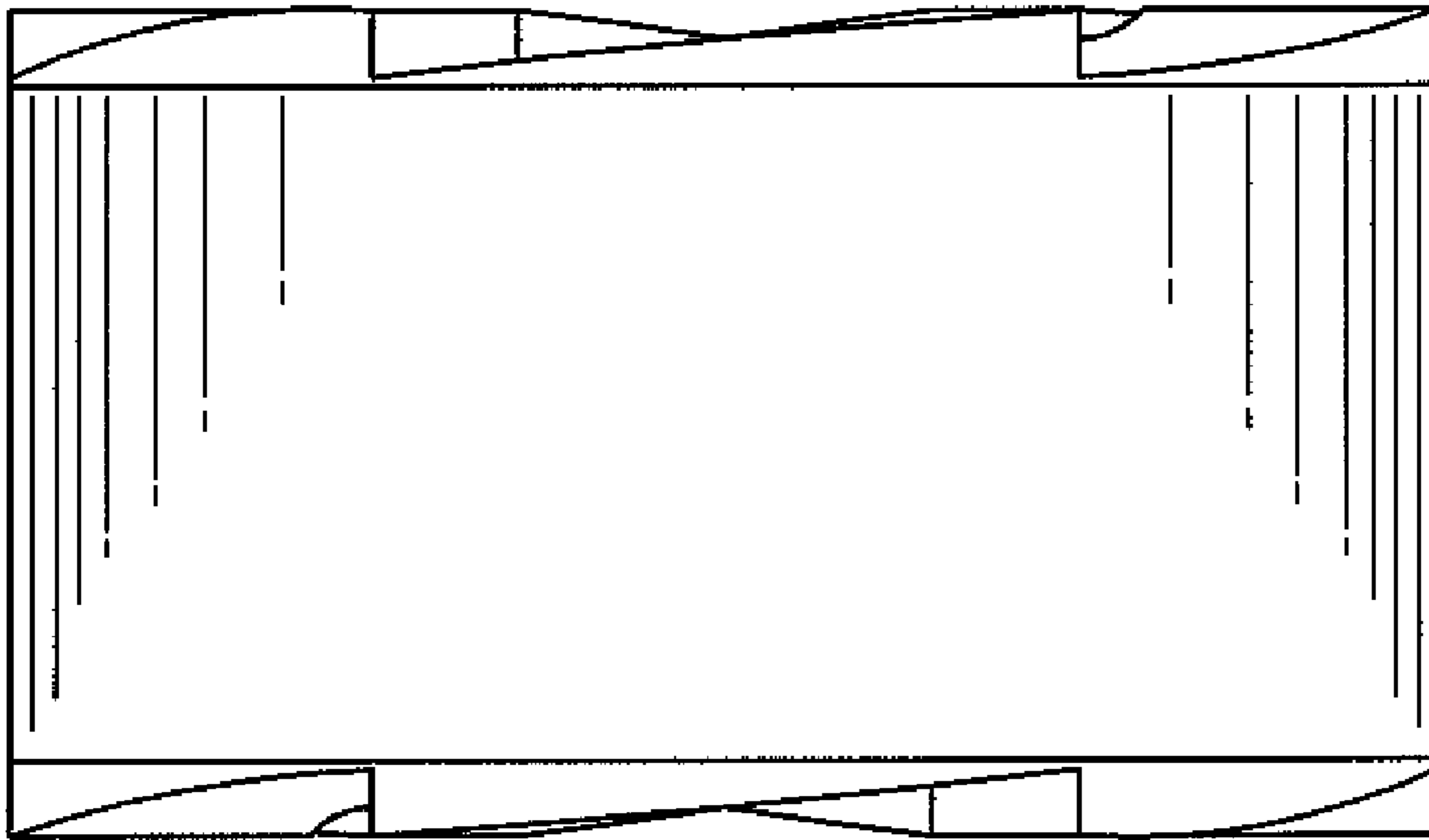


FIG. 4

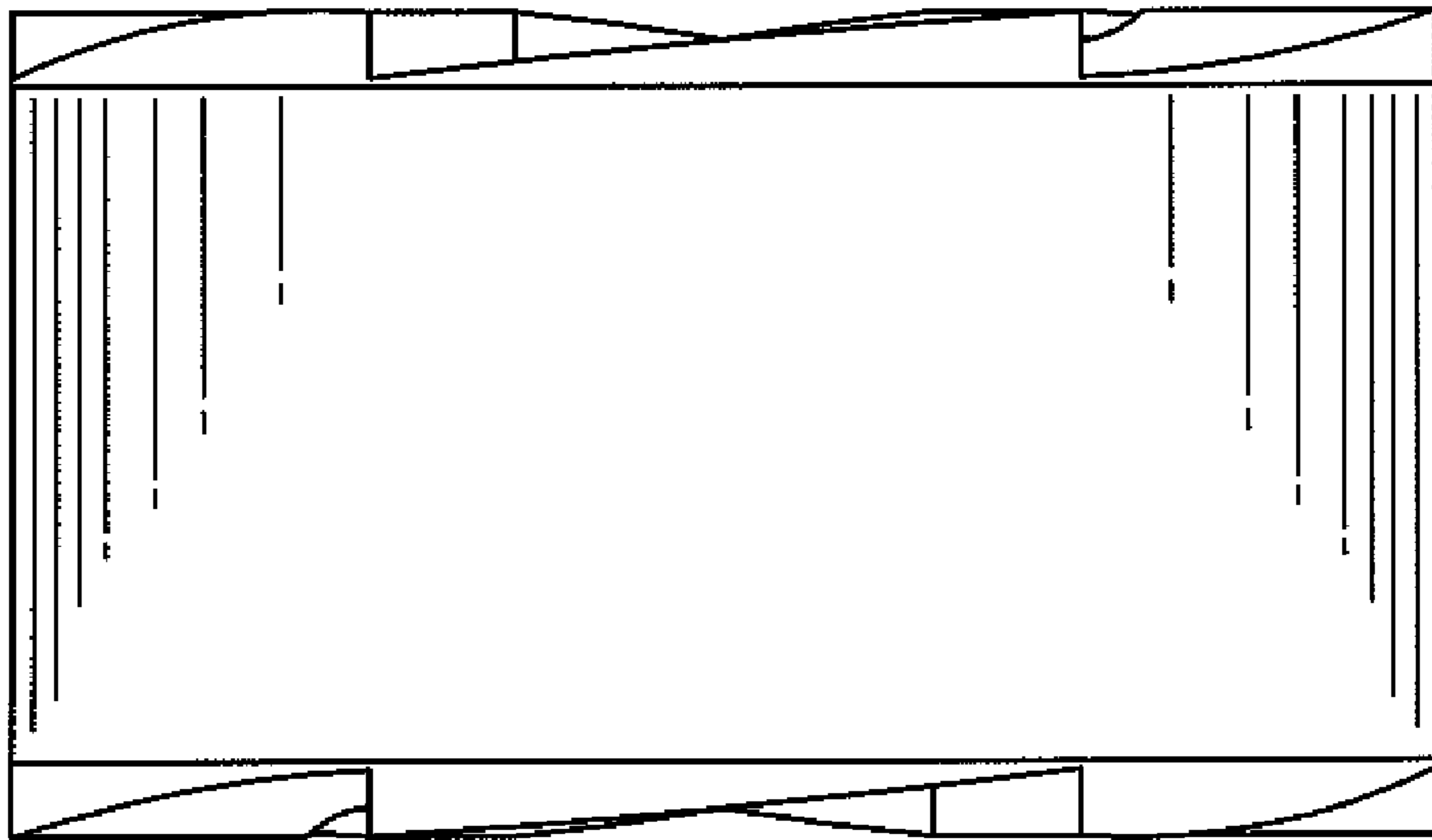


FIG. 5

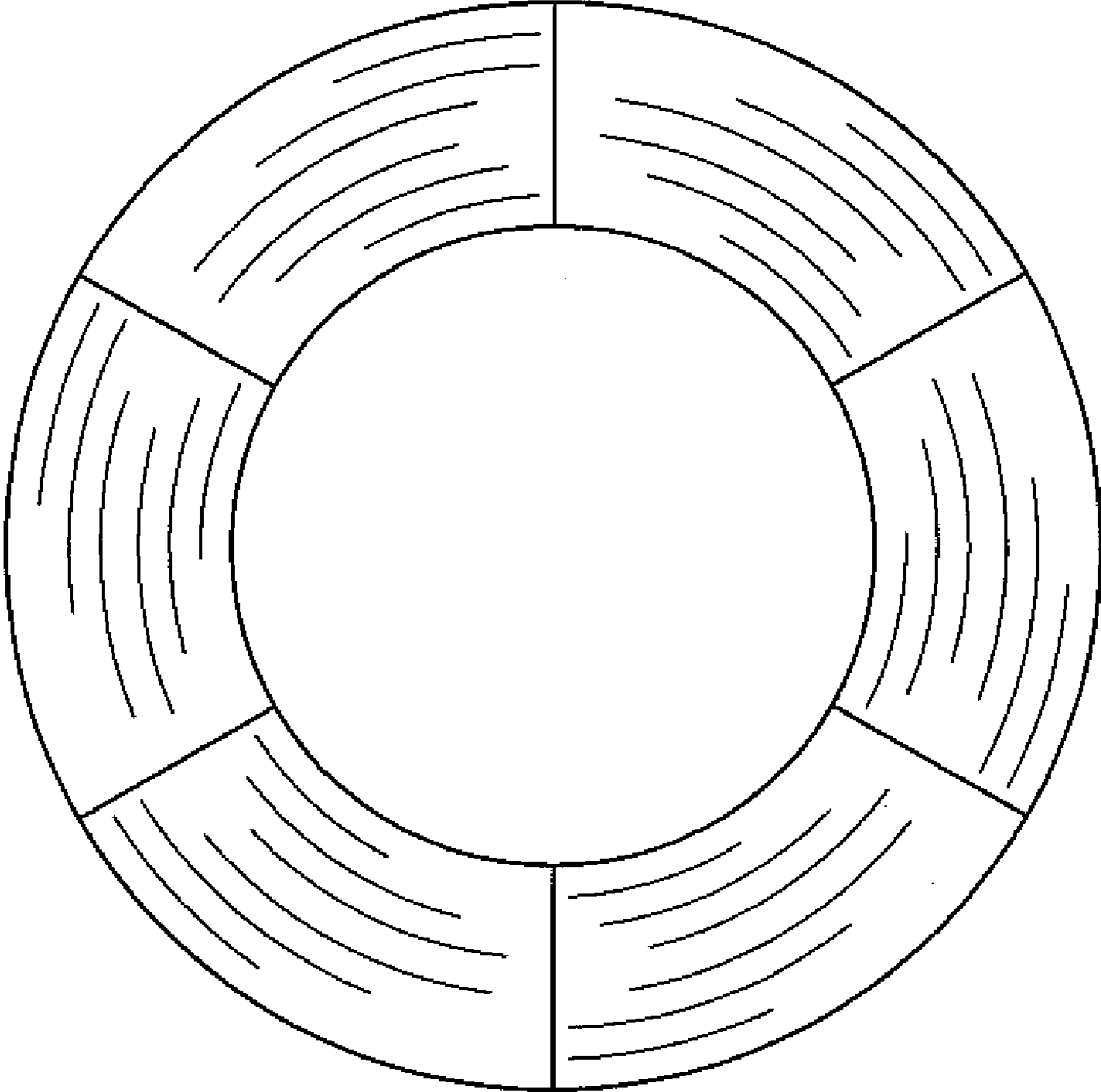


FIG. 6

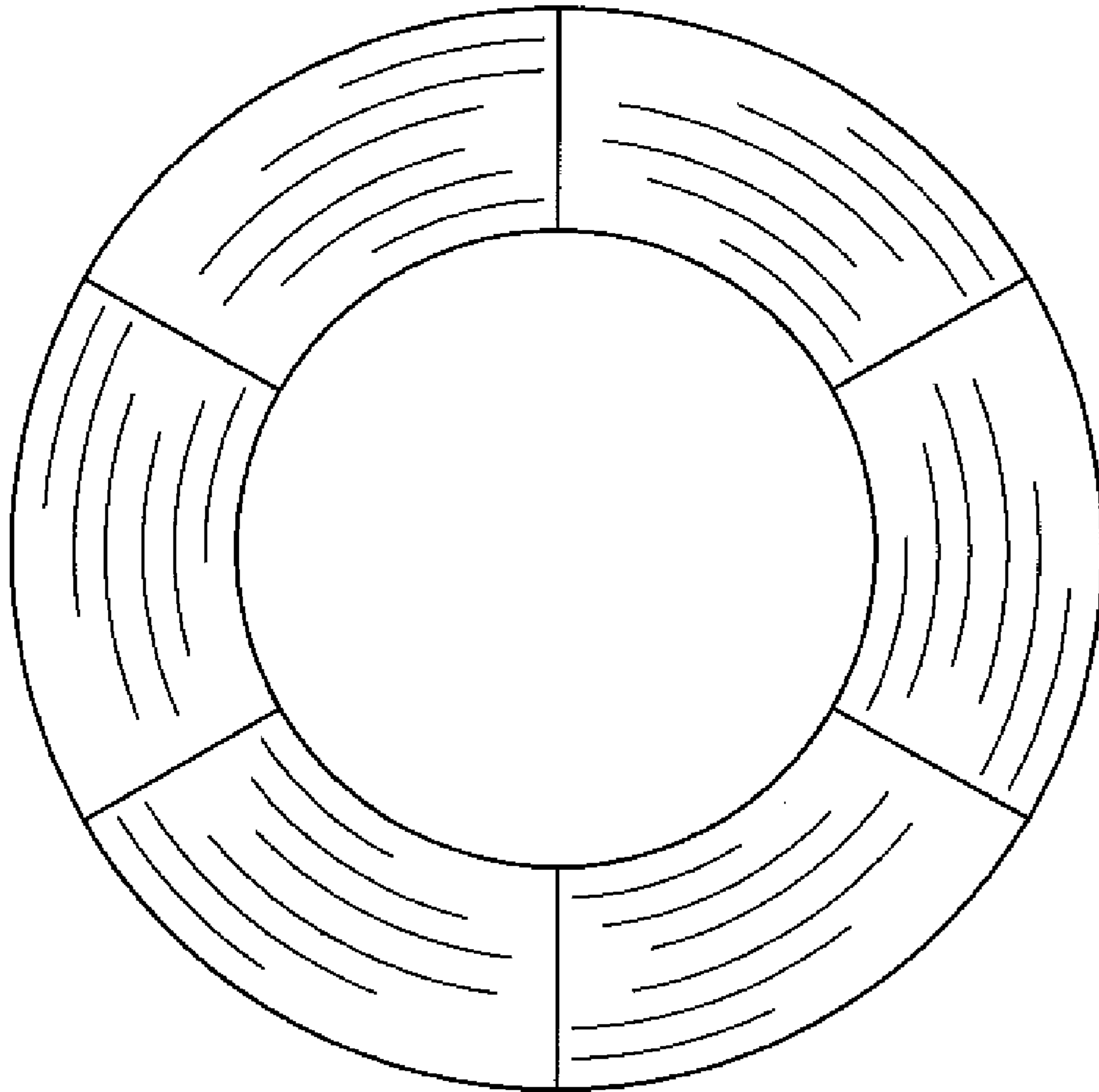


FIG. 7