



US00D576027S

(12) **United States Design Patent**
Lanz

(10) **Patent No.:** **US D576,027 S**
(45) **Date of Patent:** **** Sep. 2, 2008**

(54) **THREAD END ATTACHMENT FIXTURE FOR TUBULAR STOCK MATERIAL**

(76) Inventor: **Donald D. Lanz**, 15657 S. Neibur Rd., Oregon City, OR (US) 97045

(**) Term: **14 Years**

(21) Appl. No.: **29/291,269**

(22) Filed: **Aug. 21, 2007**

(51) **LOC (8) Cl.** **08-08**

(52) **U.S. Cl.** **D8/387**

(58) **Field of Classification Search** D8/387;
411/178, 378

See application file for complete search history.

(56) **References Cited**

U.S. PATENT DOCUMENTS

- D248,824 S * 8/1978 Imai et al. D8/387
- D310,956 S * 10/1990 Huska D8/387
- D397,401 S * 8/1998 Diederich D21/840

* cited by examiner

Primary Examiner—Holly H. Baynham
Assistant Examiner—Sheryl Friedman

(57) **CLAIM**

I claim the ornamental design for a thread end attachment fixture for tubular stock material, as shown and described.

DESCRIPTION

FIG. 1 is a top perspective view showing my new design, parts shown in broken lines illustrating the environment of the fixture on the end of a tube member and forming no part of the claimed design.

FIG. 2 is a front elevational view of the threaded end attachment fixture of FIG. 1.

FIG. 3 is a side elevational view taken from the left in FIG. 2.

FIG. 4 is a side elevational view taken from the right in FIG. 2.

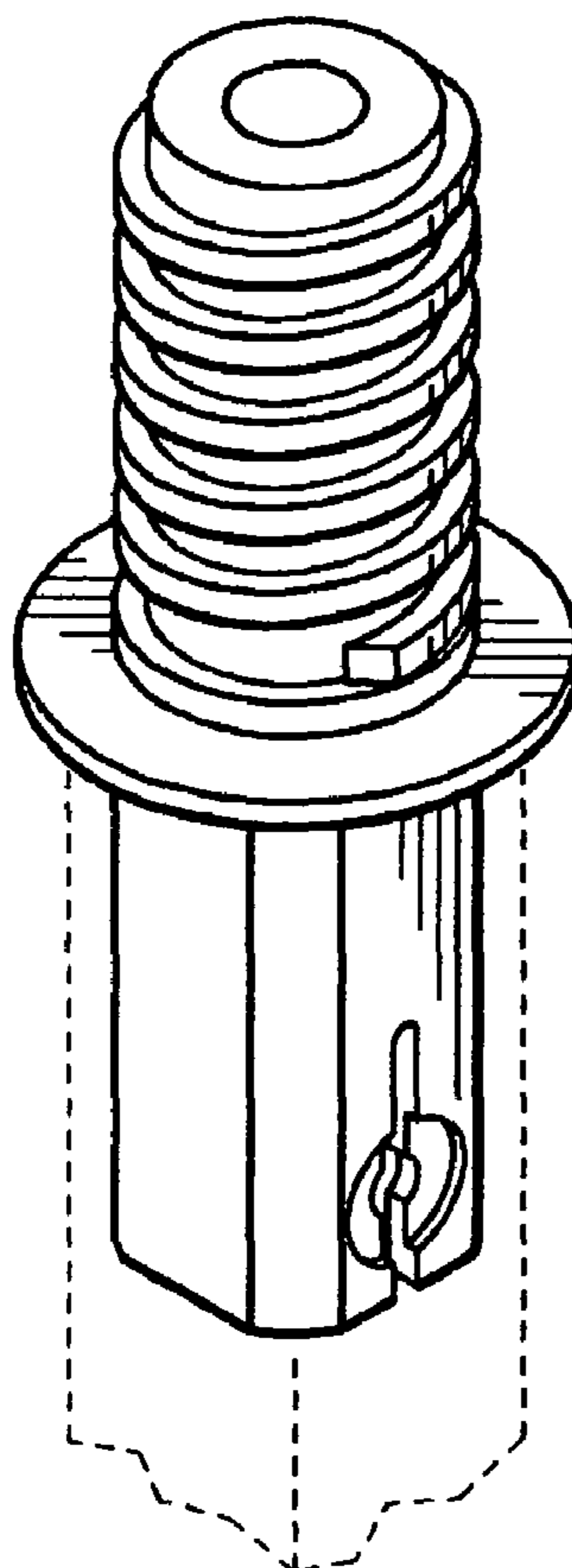
FIG. 5 is a rear elevational view taken from the opposite direction in FIG. 2.

FIG. 6 is a top plan view as viewed from the top in FIG. 2; and,

FIG. 7 is a bottom plan view as viewed from the bottom in FIG. 2.

The broken line showing in FIG. 1 is for environmental purposes only and forms no part of the claimed design.

1 Claim, 1 Drawing Sheet



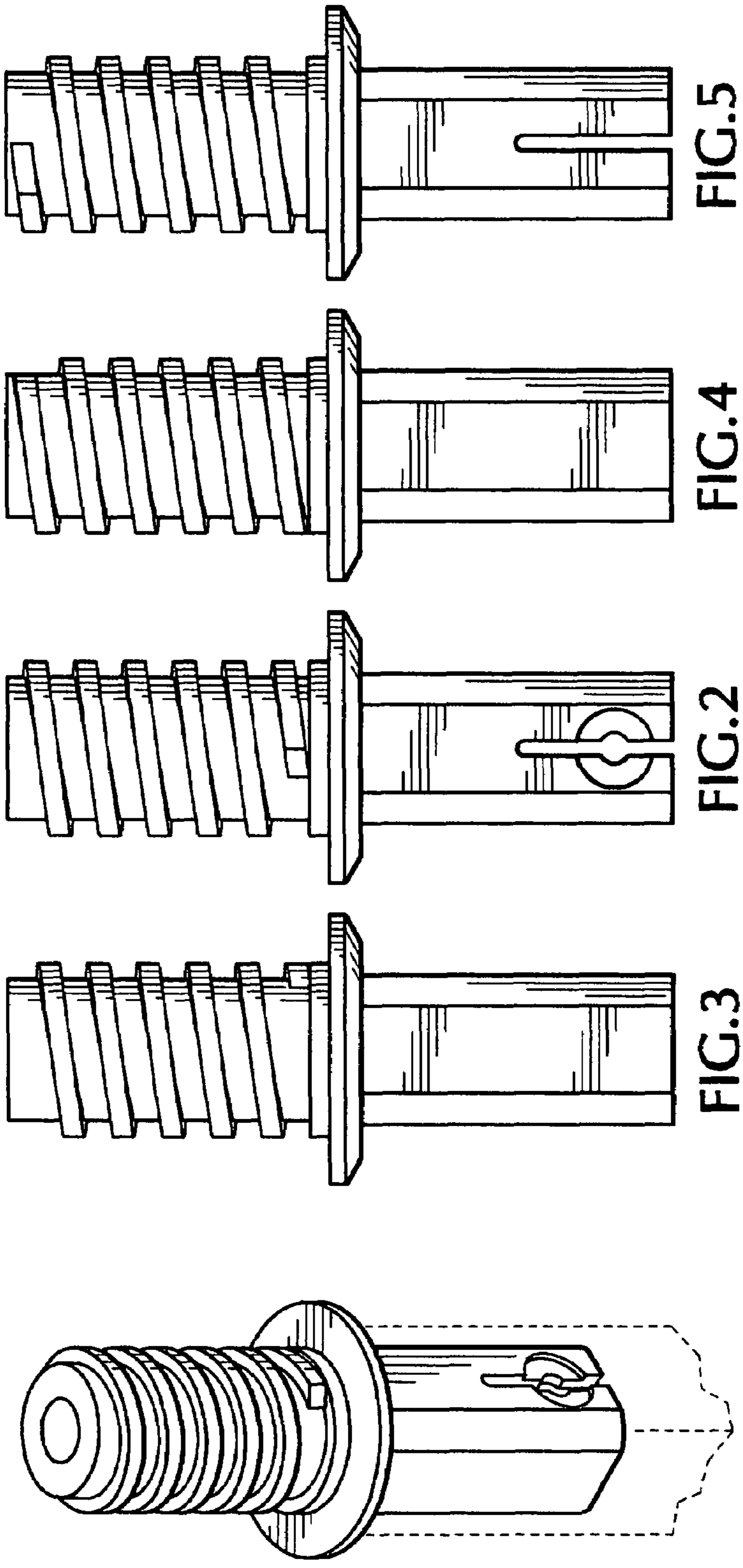


FIG.1

FIG.3

FIG.2

FIG.4

FIG.5

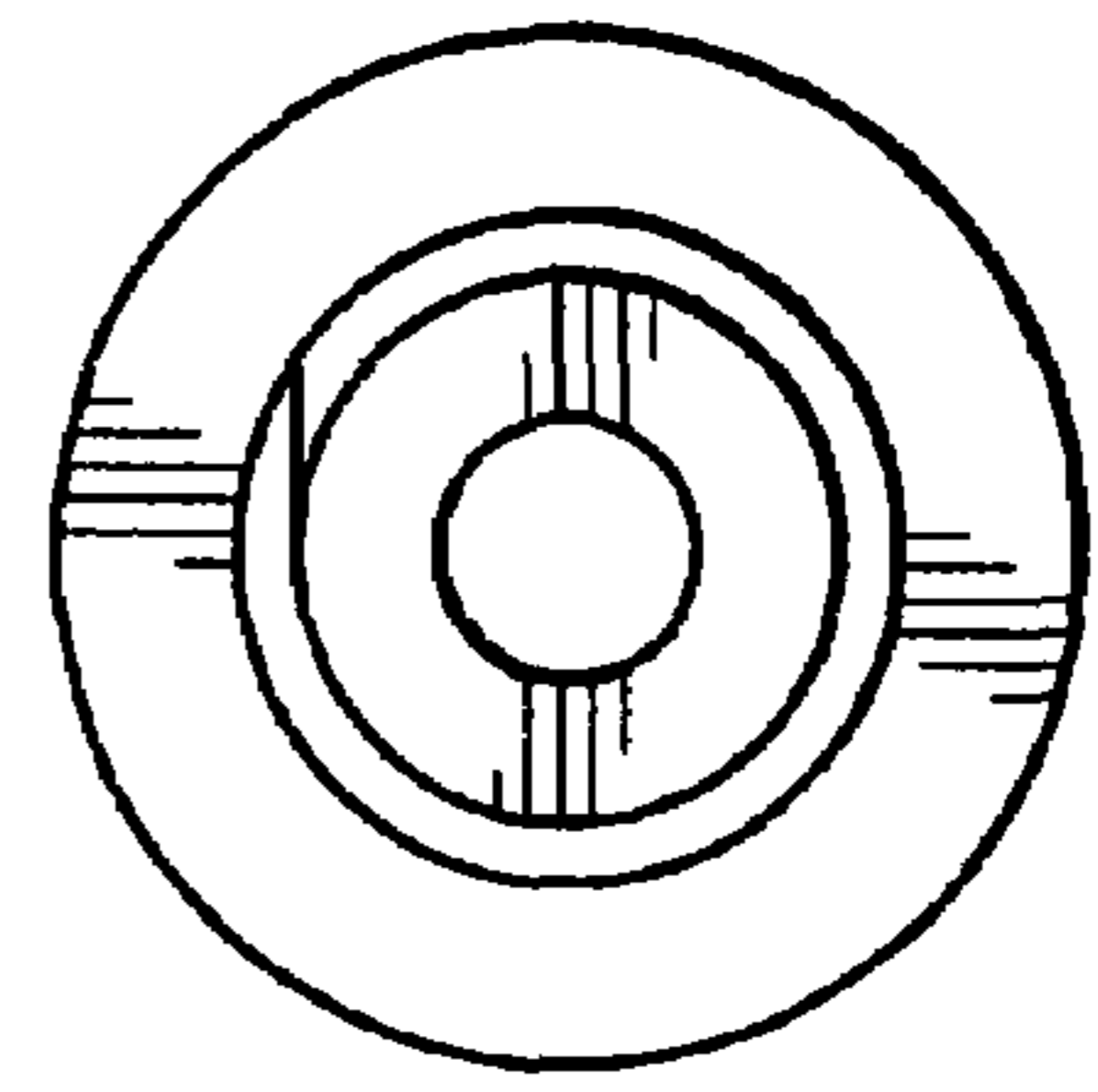


FIG.6

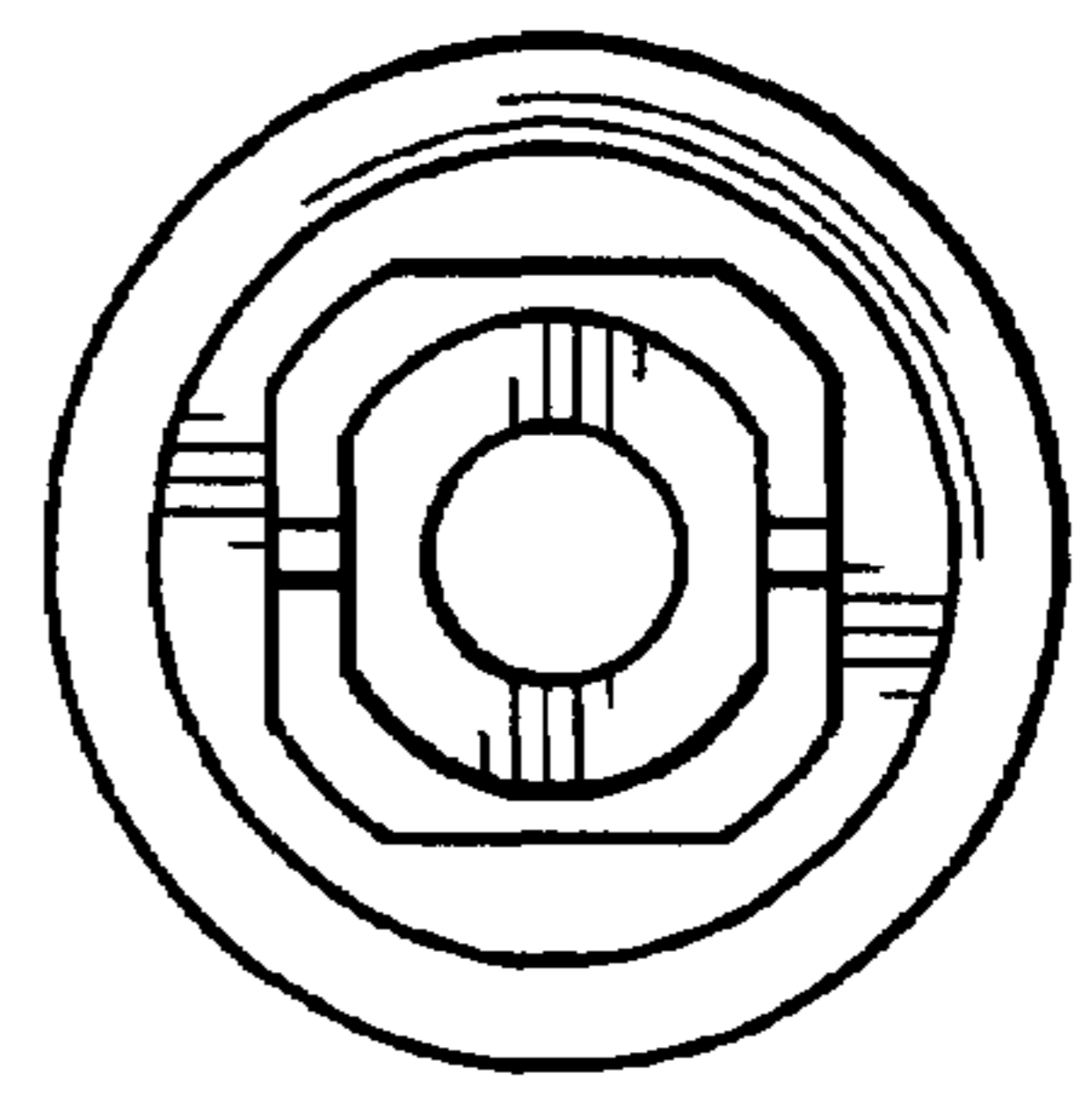


FIG.7