



US00D576026S

(12) **United States Design Patent**
Mazzocco

(10) **Patent No.:** **US D576,026 S**
(45) **Date of Patent:** **** Sep. 2, 2008**

(54) **STRUCTURAL ASSEMBLY CONNECTOR**

D553,968 S * 10/2007 Skinner D8/382
D558,040 S * 12/2007 Skinner D8/382

(75) Inventor: **Miguel Mazzocco**, City of Flores da Cunha (BR)

* cited by examiner

(73) Assignee: **Sitmed Equipamentos Medicos Ltda.**, Flores do Cunha (BR)

Primary Examiner—Holly H. Baynham
Assistant Examiner—Sheryl Friedman
(74) *Attorney, Agent, or Firm*—Thomas, Kayden, Horstemeyer & Risley, LLP

(**) Term: **14 Years**

(21) Appl. No.: **29/284,444**

(57) **CLAIM**

(22) Filed: **Sep. 7, 2007**

The ornamental design of a structural assembly connector, as shown and described.

(30) **Foreign Application Priority Data**

Mar. 8, 2007 (BR) DI 6701434

DESCRIPTION

(51) **LOC (8) Cl.** **08-08**

FIG. 1 is a perspective view showing my new structural assembly connector;

(52) **U.S. Cl.** **D8/382**

FIG. 2 is a right side elevational view thereof;

(58) **Field of Classification Search** D8/382;
403/300, 305, 388, 217; D23/262, 266, 540,
D23/68.1

FIG. 3 is a left side elevational view thereof;

See application file for complete search history.

FIG. 4 is a front elevational view thereof;

FIG. 5 is a rear elevational view thereof;

(56) **References Cited**

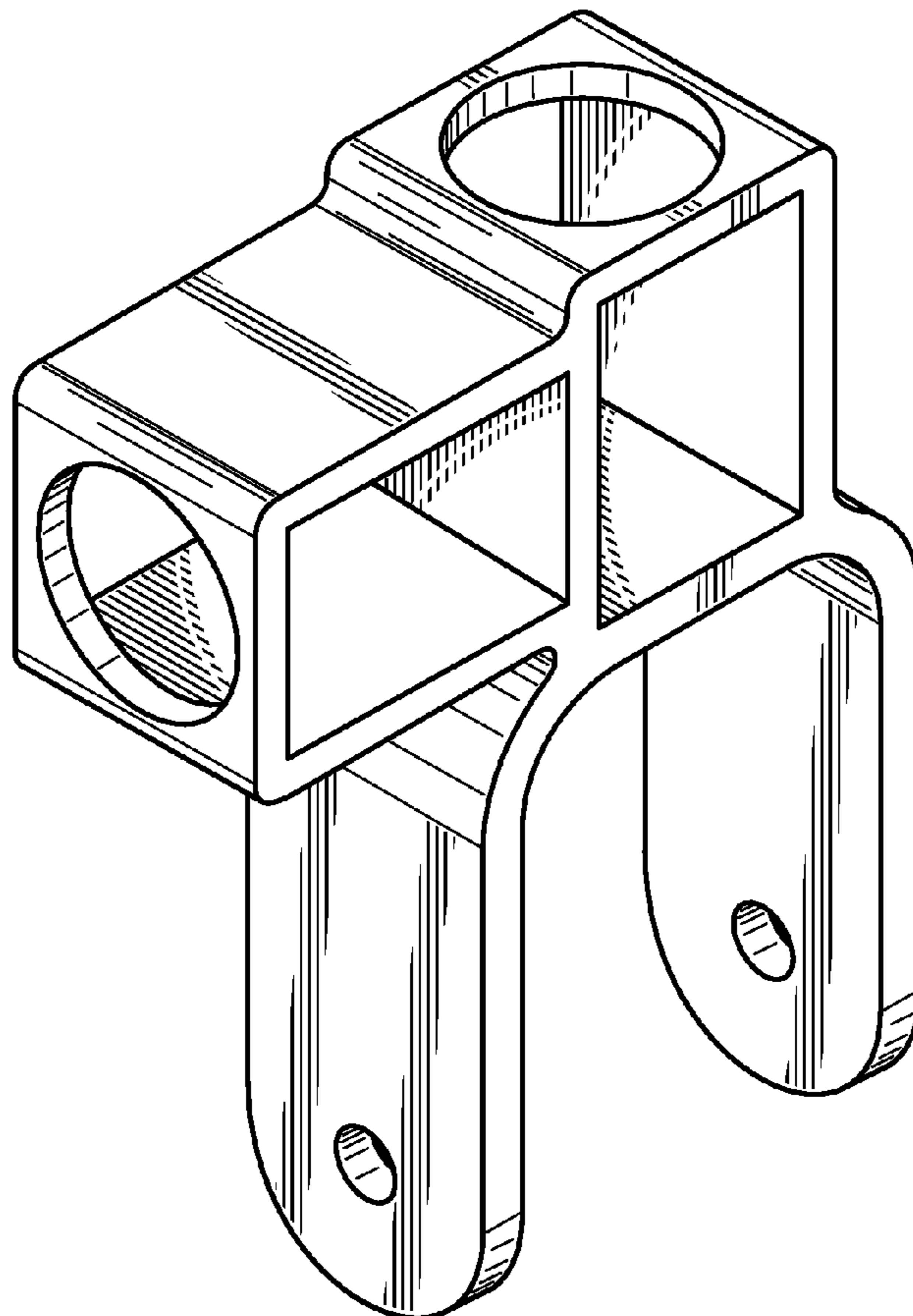
FIG. 6 is a top plan view thereof; and,

FIG. 7 is a bottom plan view thereof.

U.S. PATENT DOCUMENTS

D400,428 S * 11/1998 Sabounjian D8/382

1 Claim, 3 Drawing Sheets



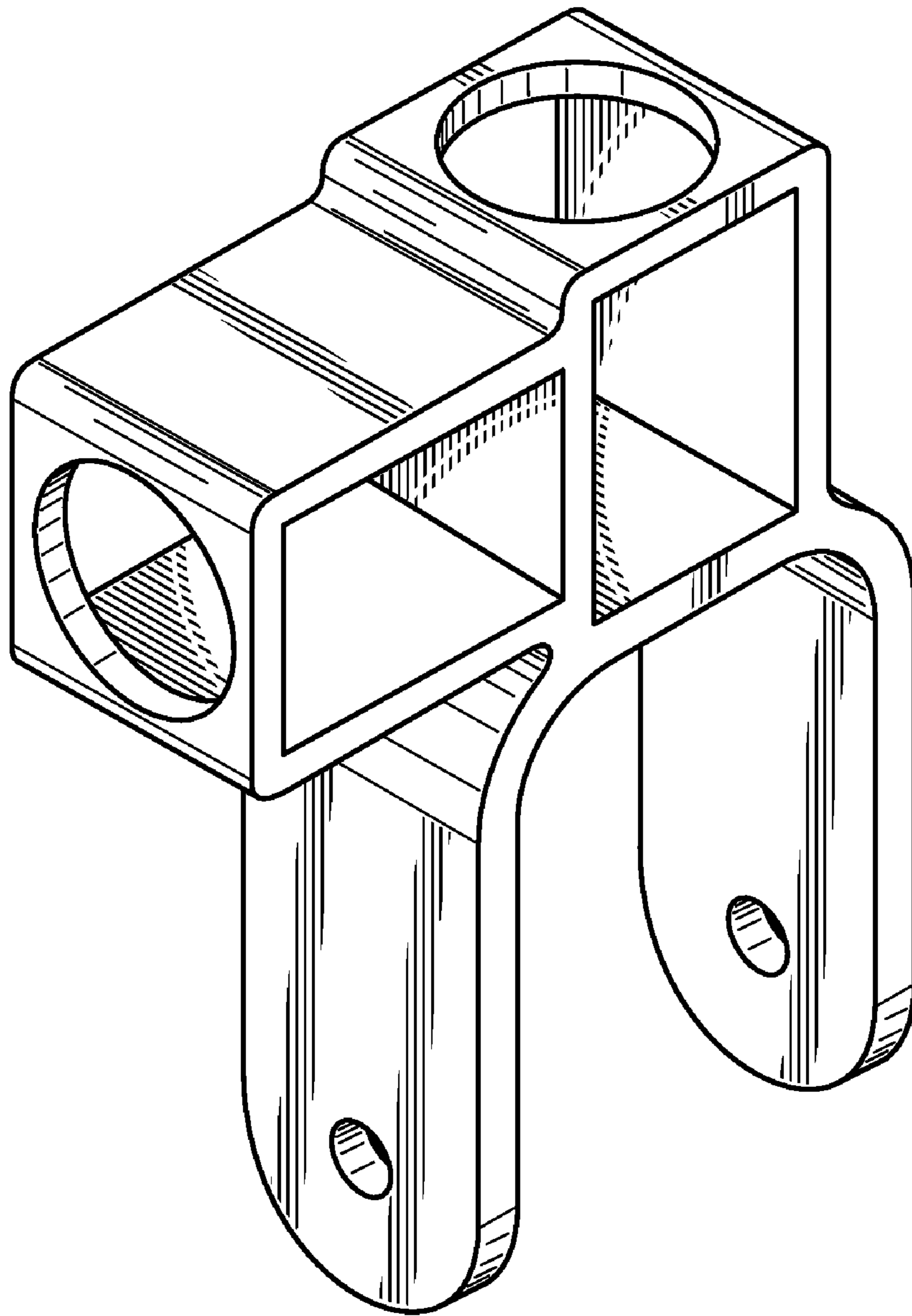


Fig. 1

Fig. 2

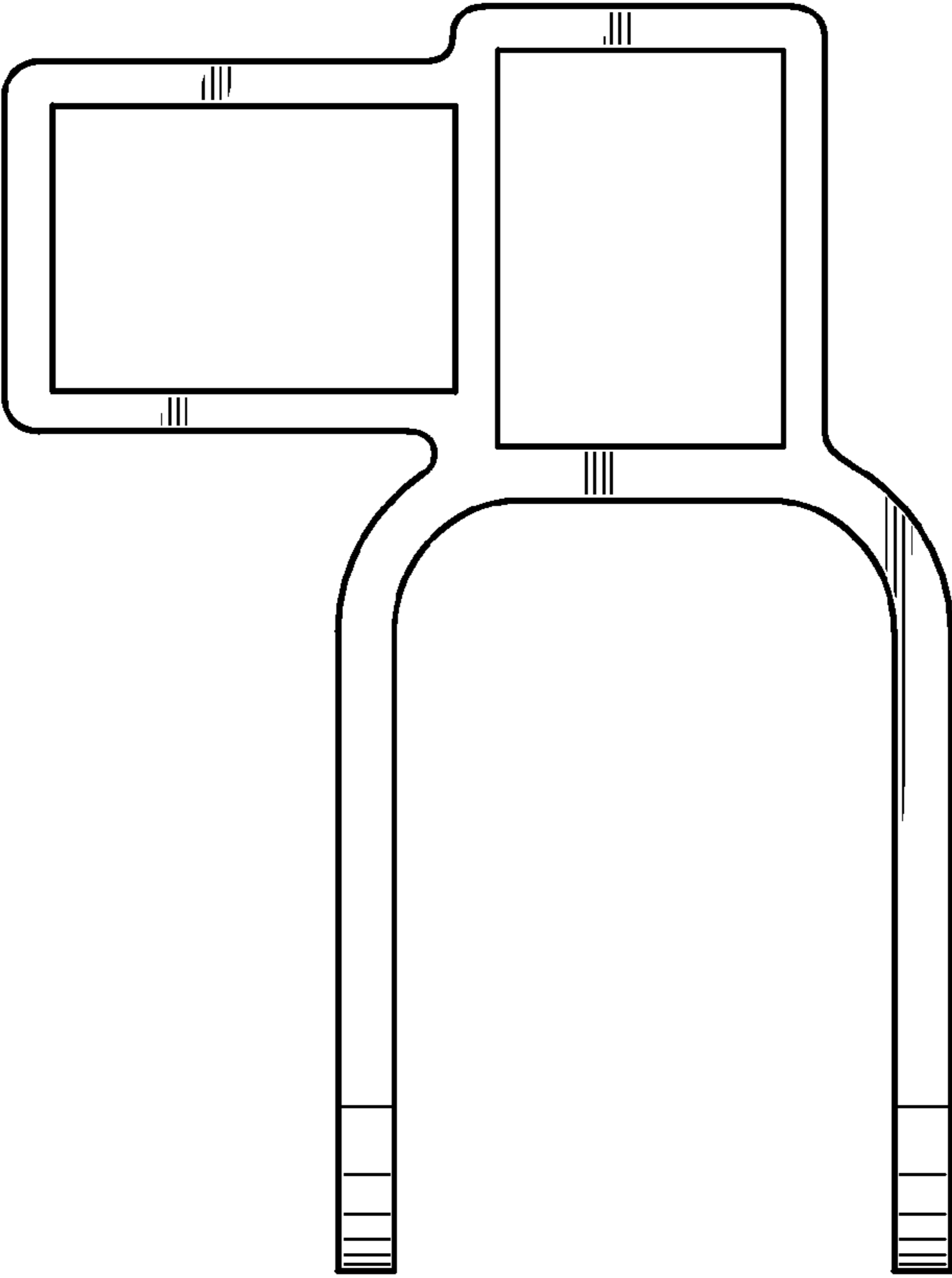
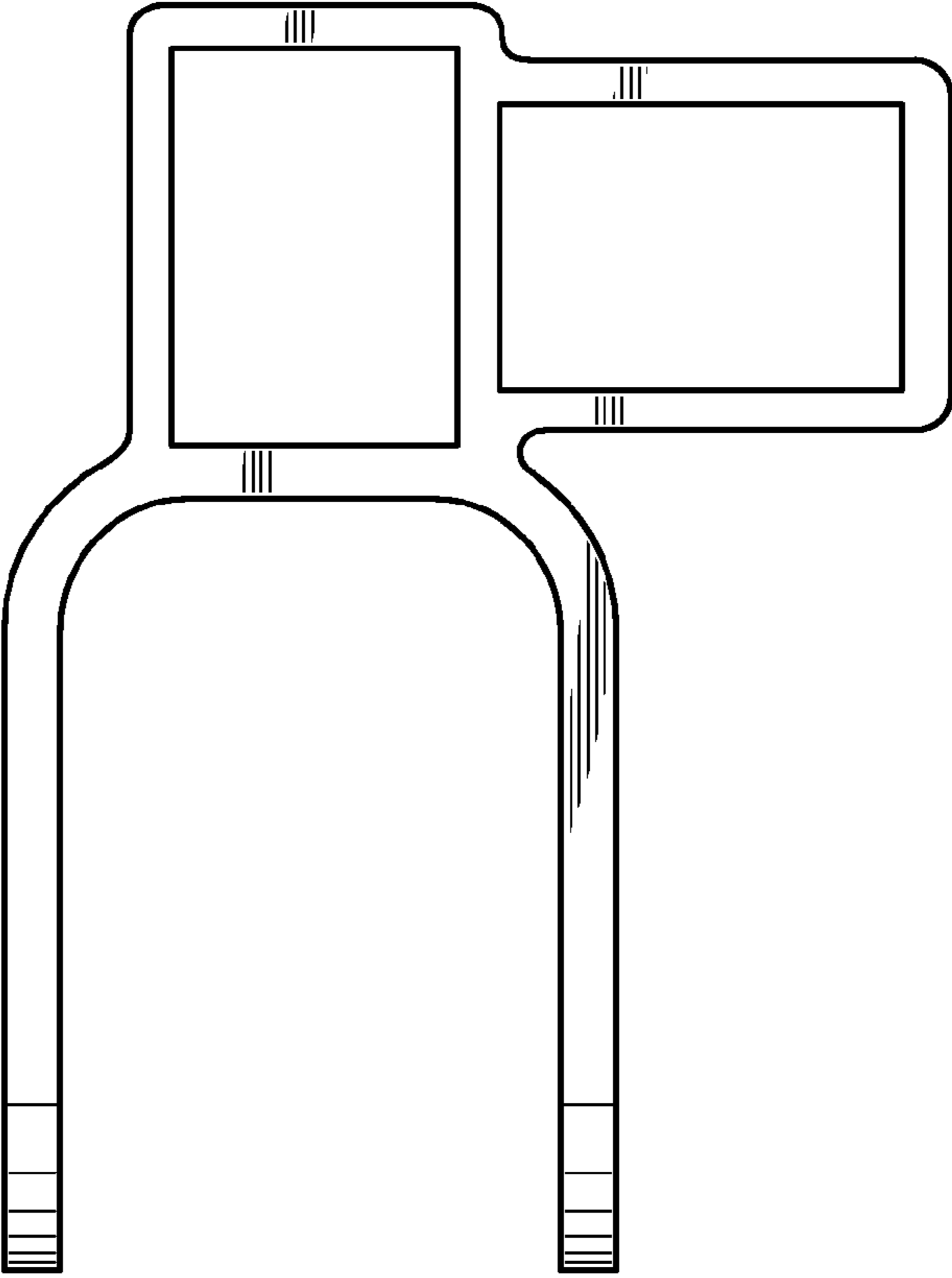


Fig. 3



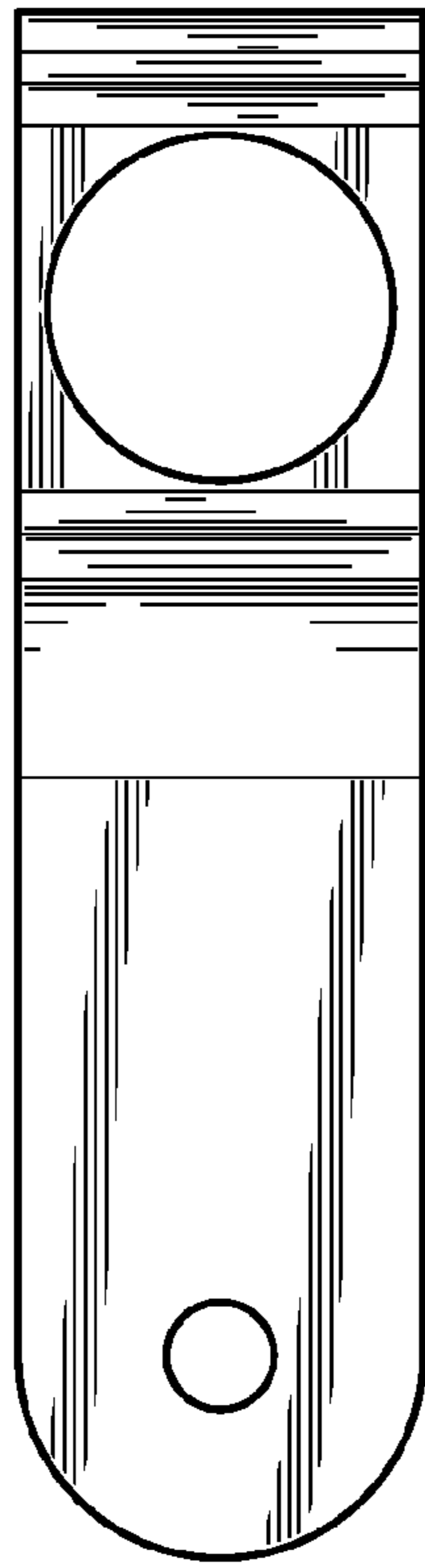


Fig. 4

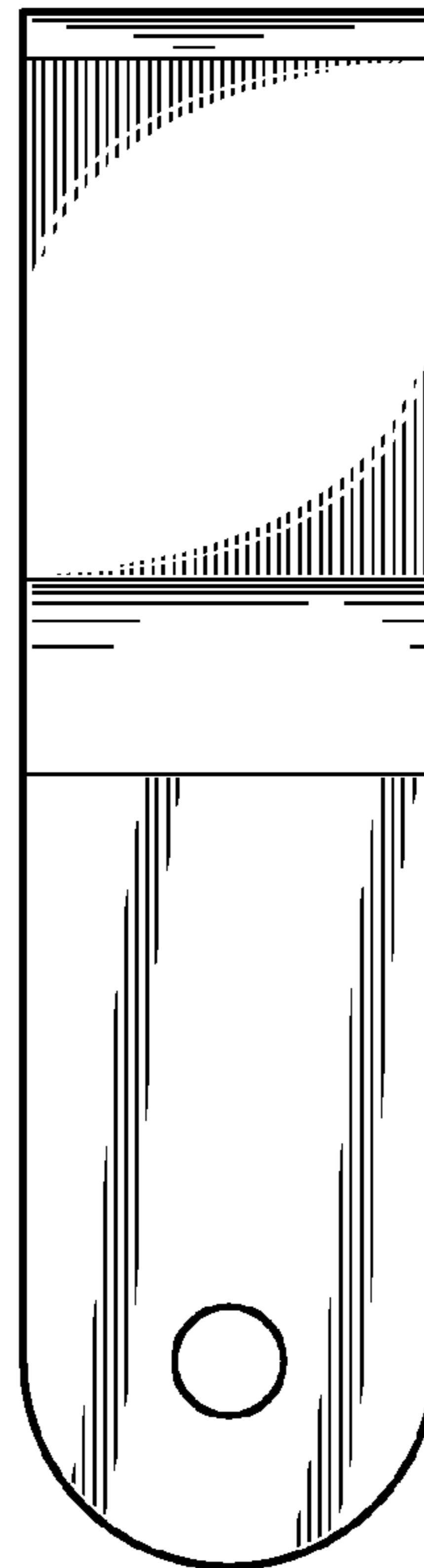


Fig. 5

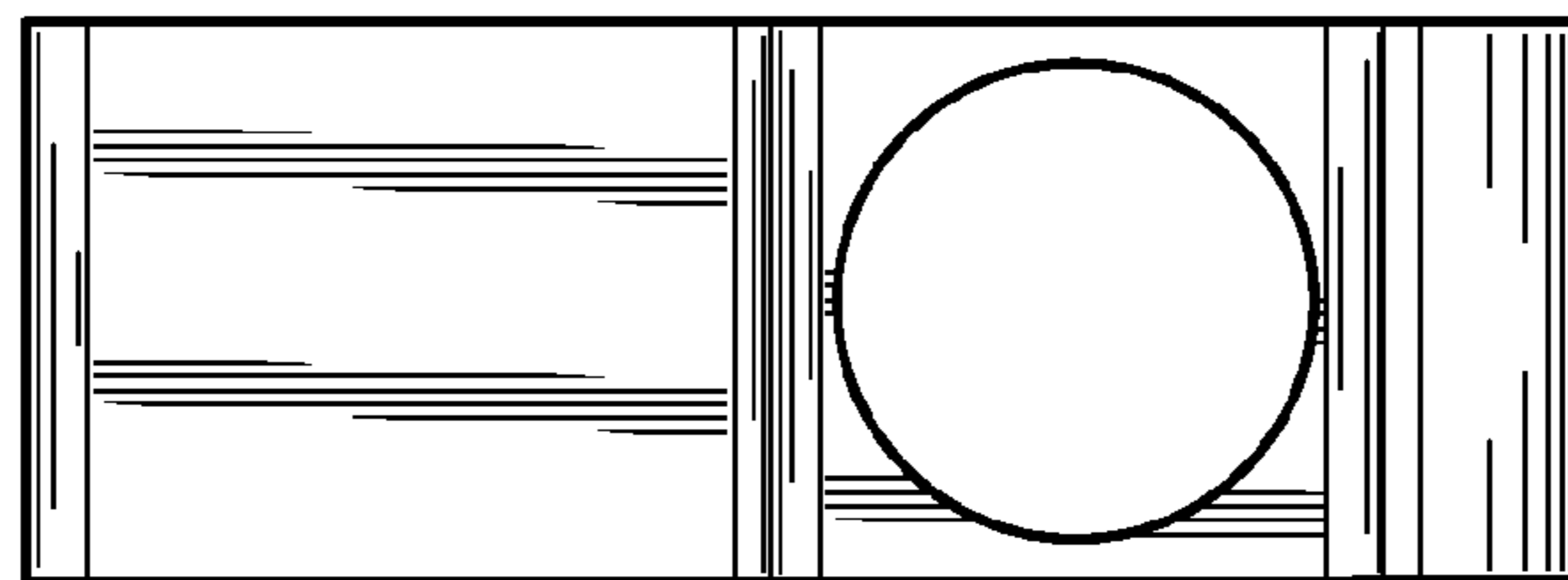


Fig. 6

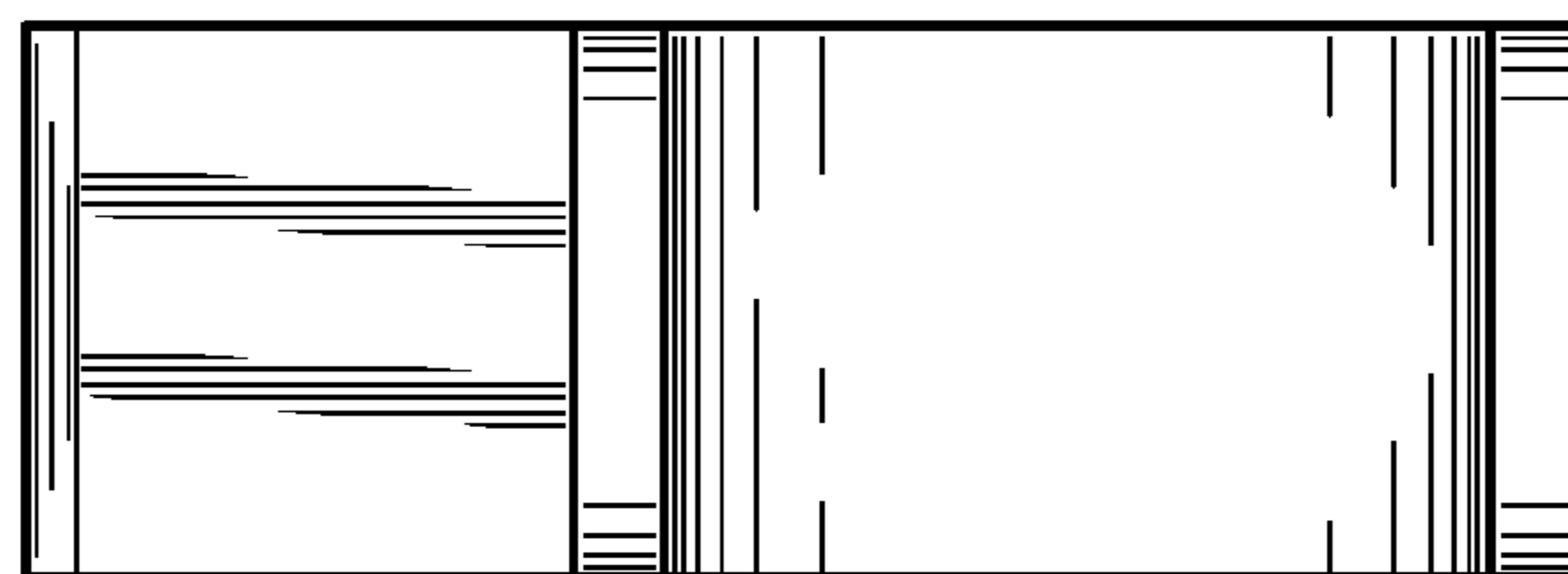


Fig. 7