



US00D576023S

(12) **United States Design Patent**
Urmson, Jr. et al.

(10) **Patent No.:** **US D576,023 S**
(45) **Date of Patent:** **** Sep. 2, 2008**

(54) **CENTER SUPPORTED BOND JOINT**

(75) Inventors: **W. Thomas Urmson, Jr.**, Valencia, PA (US); **John W. Mospan**, Pittsburgh, PA (US); **John M. Downey**, Ashland, KY (US); **Patrick J. Boario**, Allegheny Township, PA (US); **Richard Jarosinski**, Sarver, PA (US)

(73) Assignee: **Portec Rail Products, Inc.**, Pittsburgh, PA (US)

(**) Term: **14 Years**

(21) Appl. No.: **29/221,351**

(22) Filed: **Jan. 13, 2005**

(51) **LOC (8) Cl.** **08-08**

(52) **U.S. Cl.** **D8/382**

(58) **Field of Classification Search** D8/382,
D8/377, 349, 354, 373, 371; D25/25, 114;
52/730.3, 730.6; 248/300, 200

See application file for complete search history.

(56) **References Cited**

U.S. PATENT DOCUMENTS

D26,885 S *	4/1897	Gardner	D8/377
D217,115 S *	4/1970	Chap	D8/382
D225,219 S *	11/1972	Dallaire	D25/119
3,953,015 A *	4/1976	Taylor et al.	269/46
5,425,212 A *	6/1995	Menchetti	52/731.7
5,503,331 A	4/1996	Urmson, Jr. et al.		
D375,040 S *	10/1996	Miyashita	D8/382
D420,149 S *	2/2000	Hersh et al.	D25/119
D428,328 S *	7/2000	Jarnagin et al.	D8/382
D491,447 S *	6/2004	Diss	D8/373

(Continued)

Primary Examiner—Holly H. Baynham

Assistant Examiner—Sheryl Friedman

(74) *Attorney, Agent, or Firm*—The Webb Law Firm

(57) **CLAIM**

The ornamental design for a center supported bond joint, is shown and described.

DESCRIPTION

The present invention is directed to a center supported bond joint used in a bonded rail joint to connect two adjacent rails together.

FIG. 1 is a front perspective view of the center supported bond joint showing my new design;

FIG. 2 is a front elevational view of the design shown in FIG. 1;

FIG. 3 is a rear elevational view of the design shown in FIG. 1;

FIG. 4 is a top plan view of the design shown in FIG. 1;

FIG. 5 is a bottom plan view of the design shown in FIG. 1;

FIG. 6 is a left end elevational view of the design shown in FIG. 1;

FIG. 7 is a right end elevational view of the design shown in FIG. 1;

FIG. 8 is a front perspective view of the center supported bond joint showing a second embodiment of the new design;

FIG. 9 is a front elevational view of the design shown in FIG. 8;

FIG. 10 is a rear elevational view of the design shown in FIG. 8;

FIG. 11 is a top plan view of the design shown in FIG. 8;

FIG. 12 is a bottom plan view of the design shown in FIG. 8;

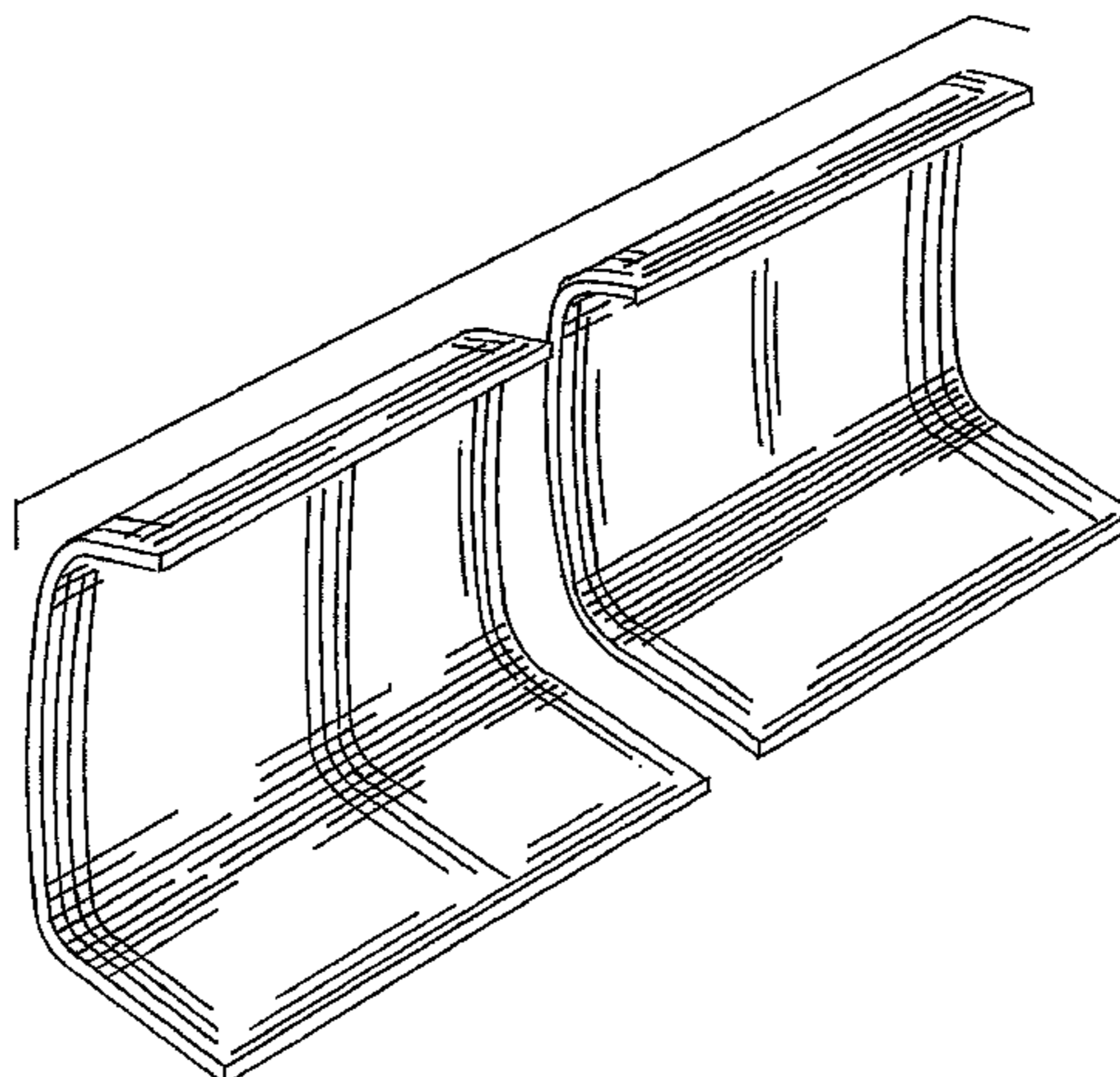
FIG. 13 is a left end elevational view of the design shown in FIG. 8; and,

FIG. 14 is a right end elevational view of the design shown in FIG. 8.

For ease of illustration, the drawings have been shown broken away to indicate an indeterminate length.

By “length” it is meant to be measured from the left end to the right end of the center supported joint.

1 Claim, 6 Drawing Sheets



US D576,023 S

Page 2

U.S. PATENT DOCUMENTS

7,073,757 B2 *	7/2006	Johnson et al.	248/205.1	D547,642 S *	7/2007	Urmson et al.	D8/382
D529,630 S *	10/2006	Zarb	D25/119	2006/0027674 A1 *	2/2006	Urmson et al.	238/243
D543,094 S *	5/2007	Remmers	D8/377	2006/0169849 A1 *	8/2006	Saavedra	248/49

* cited by examiner

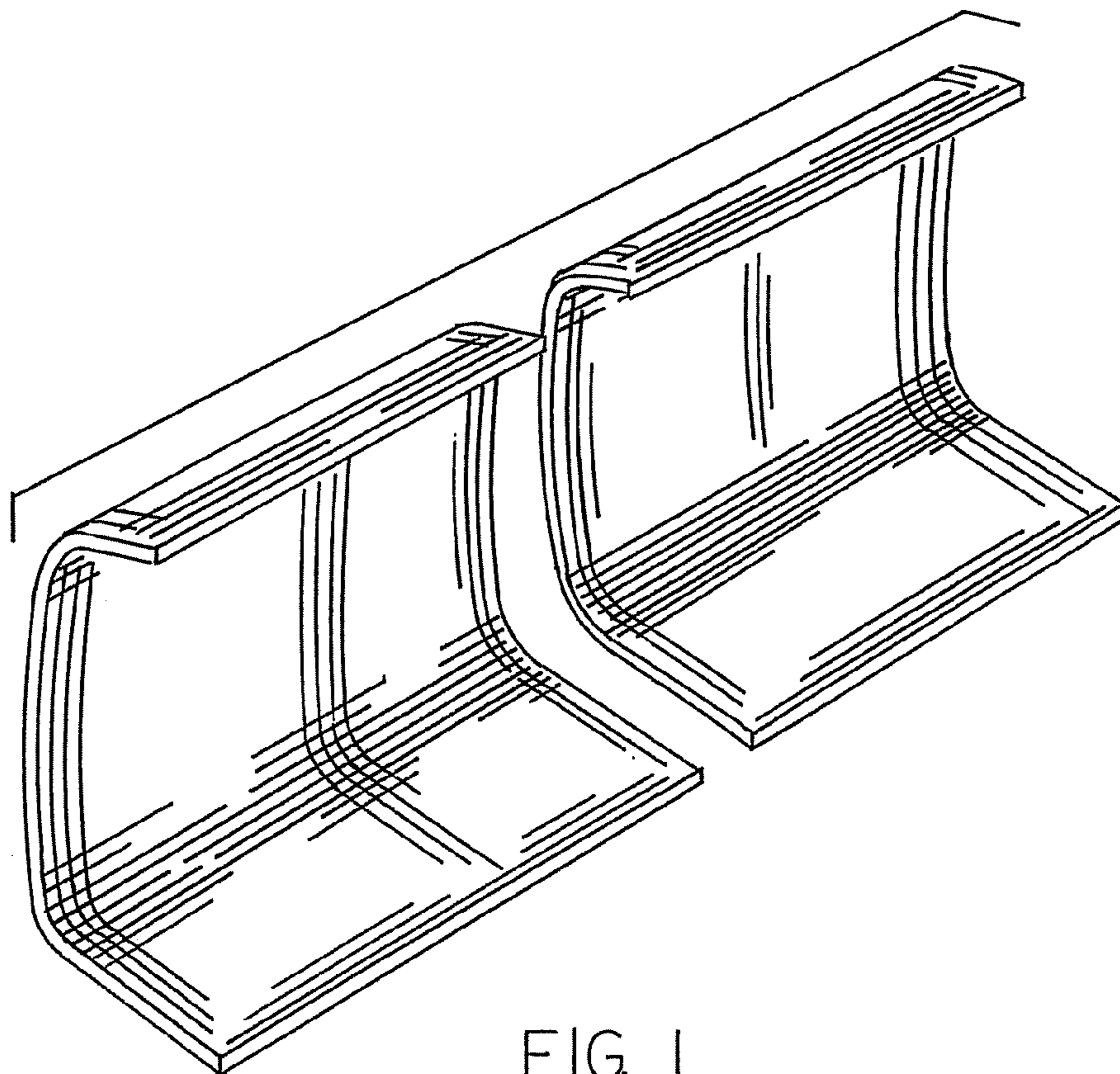


FIG. 1

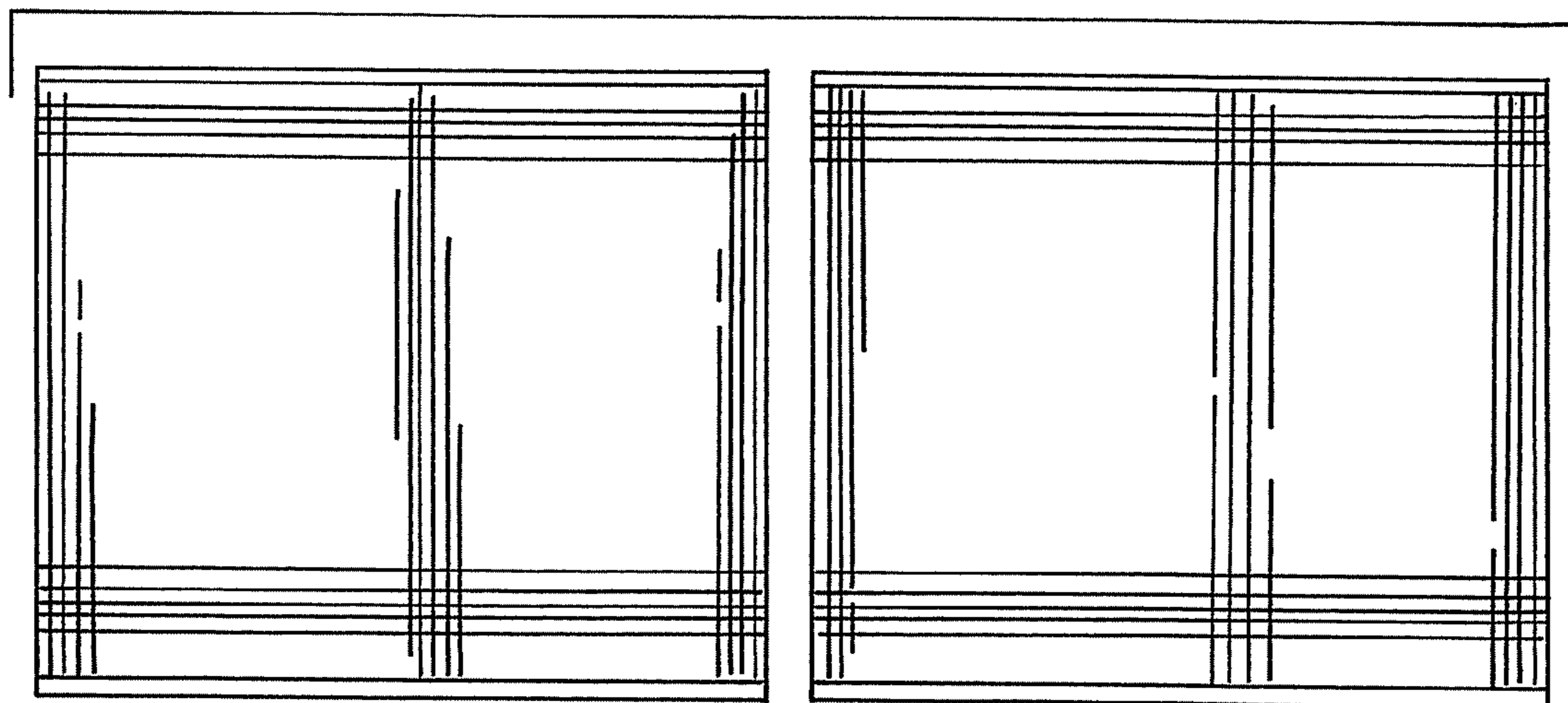


FIG. 2

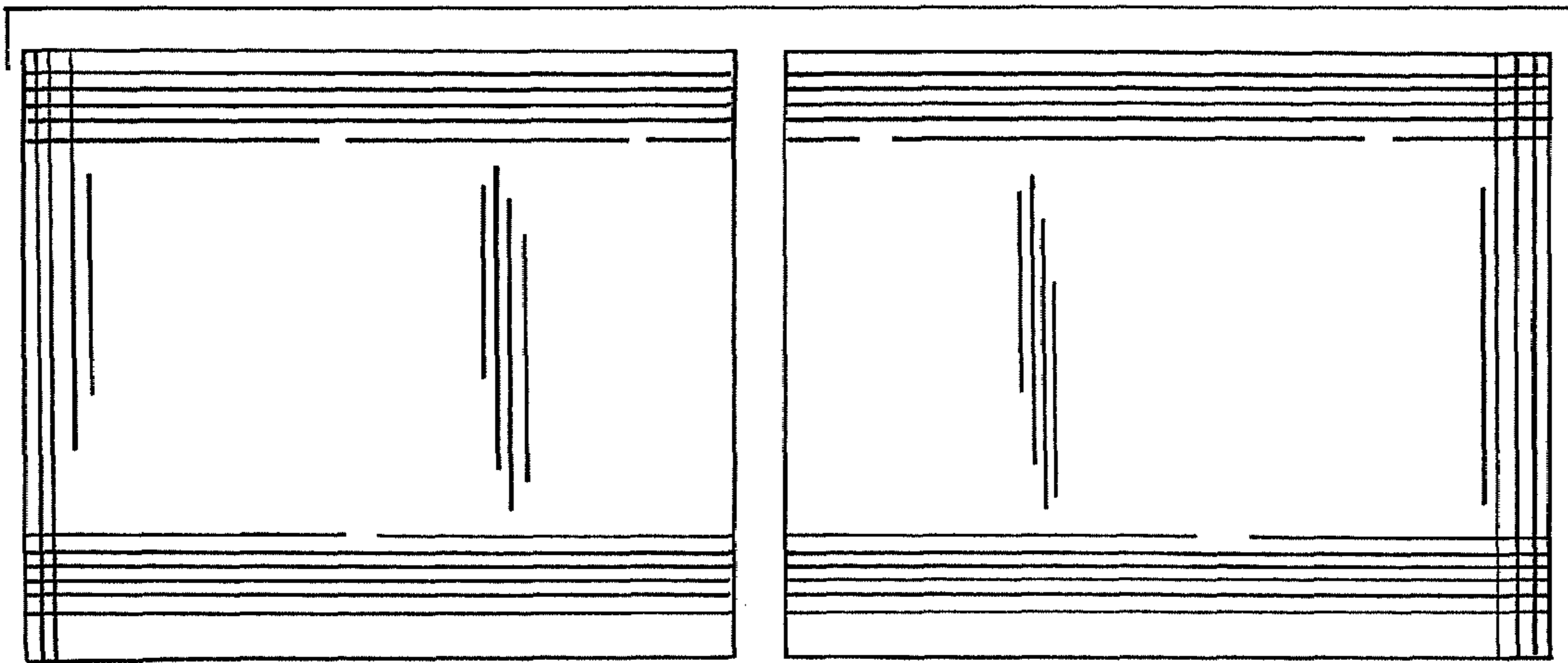


FIG. 3

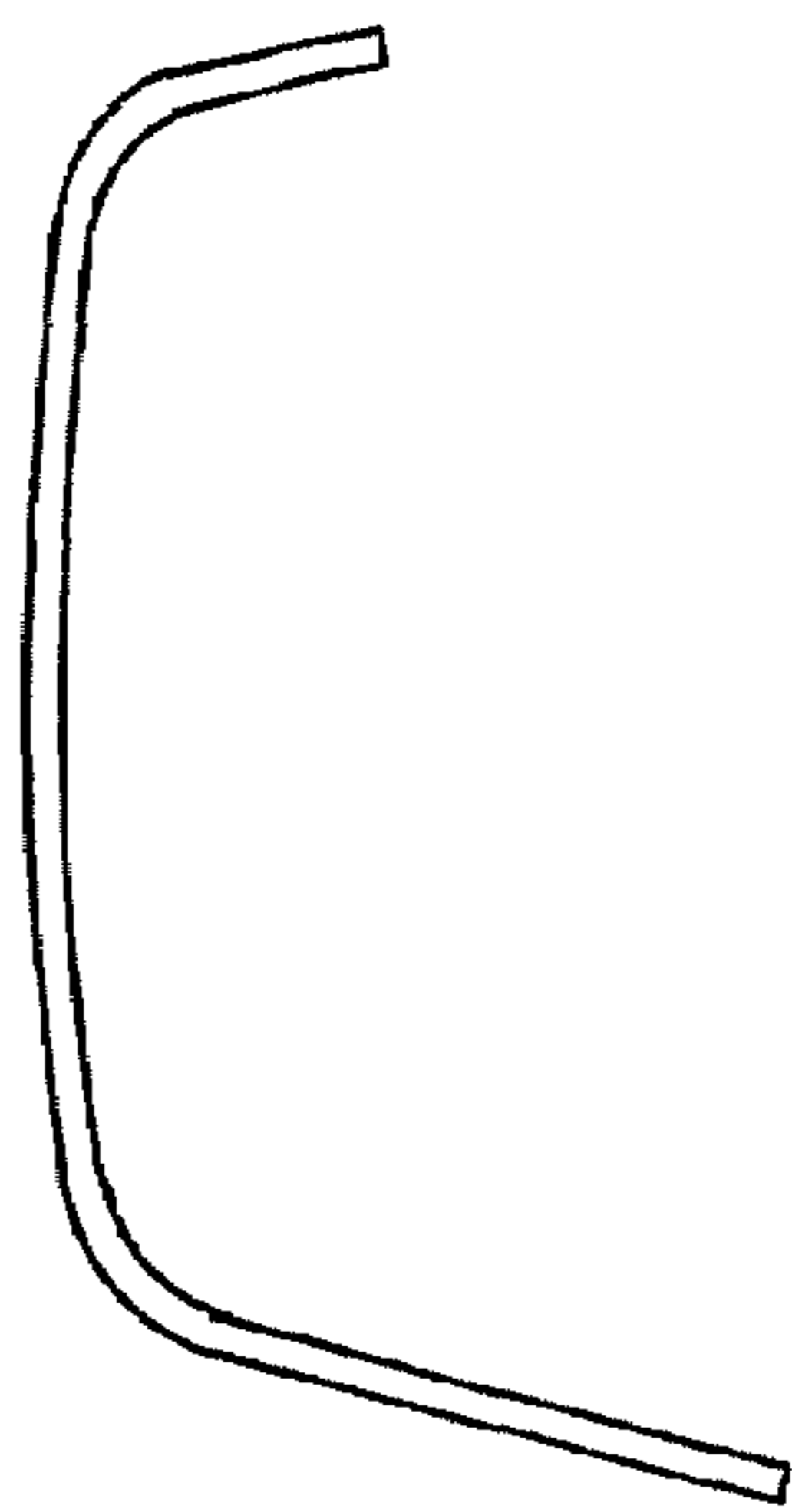


FIG. 6



FIG. 7

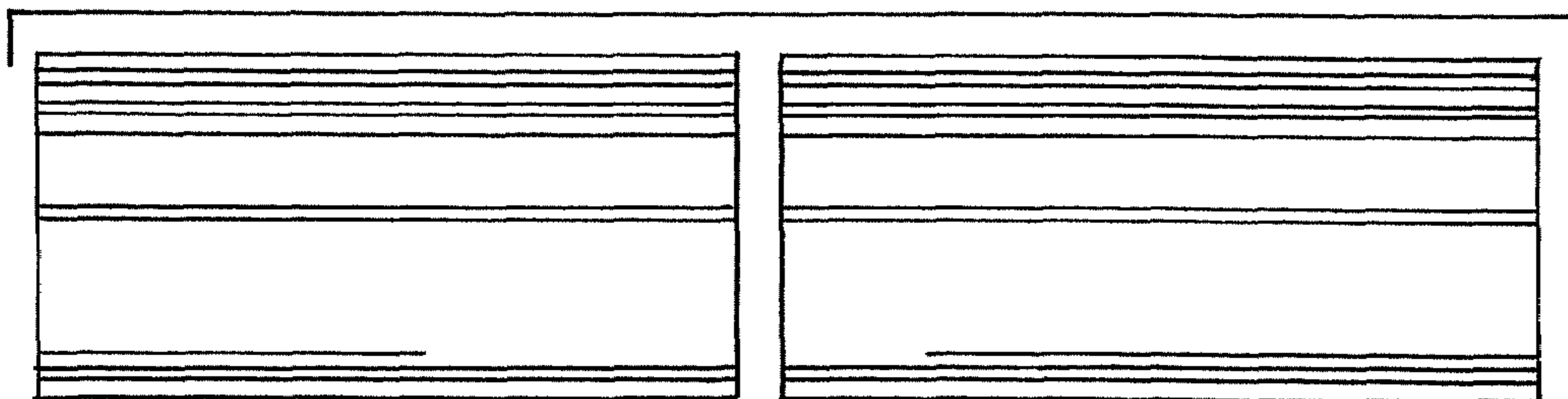


FIG. 4

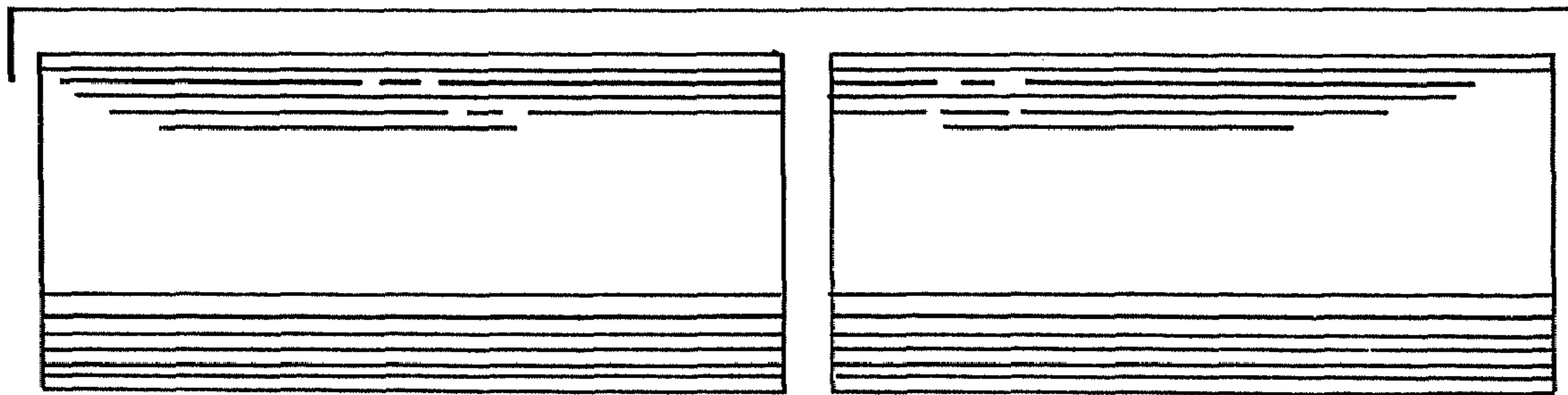


FIG. 5

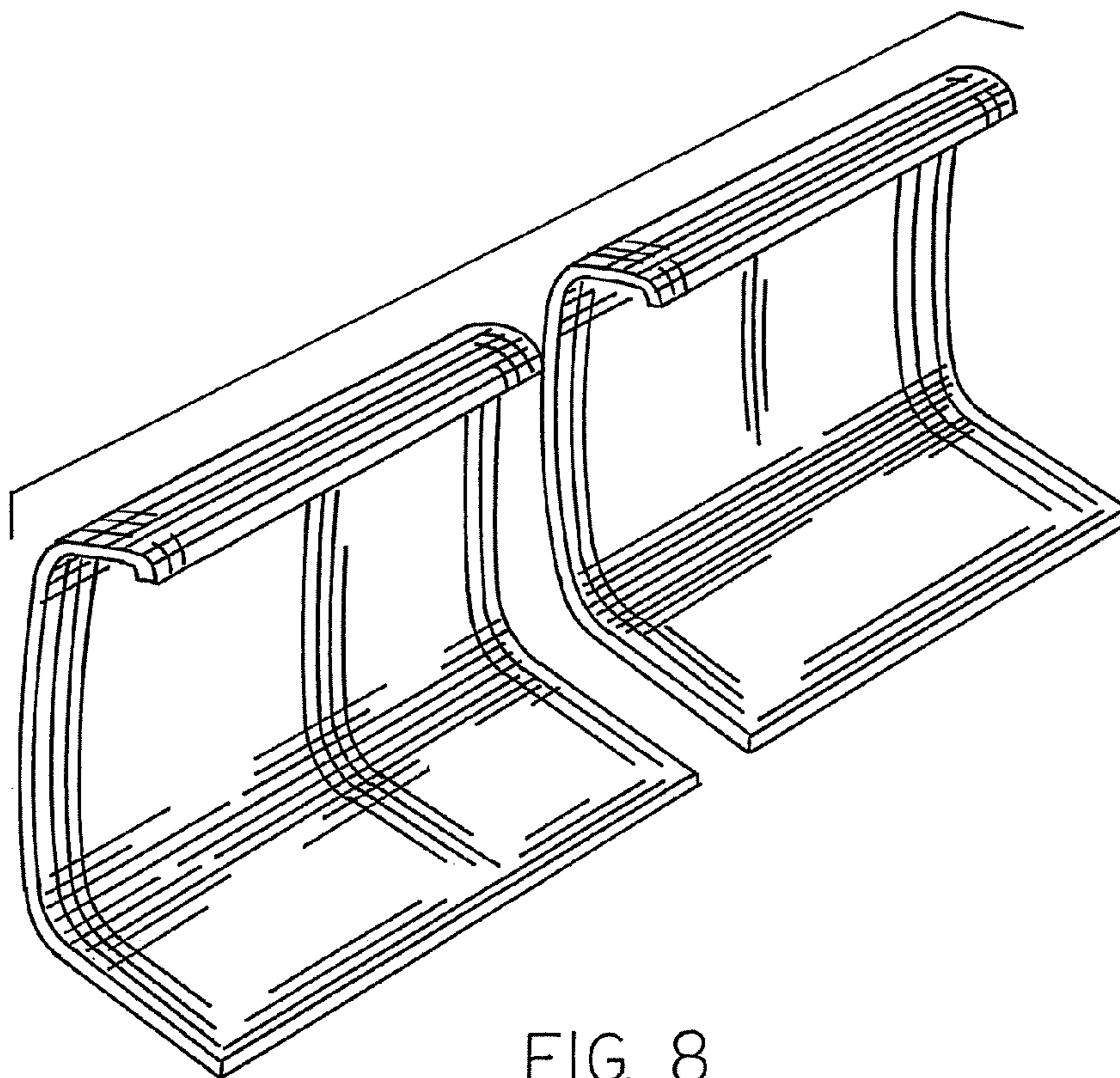


FIG. 8

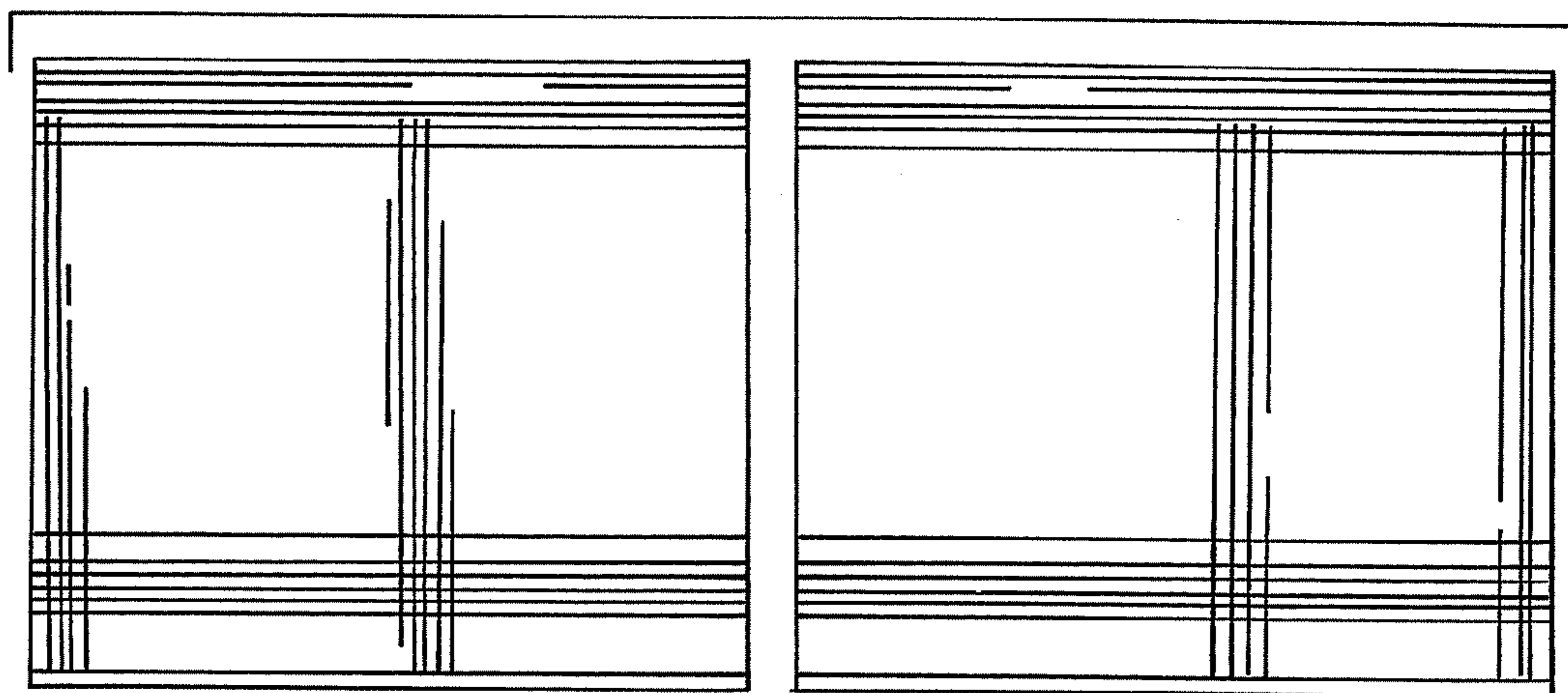


FIG. 9

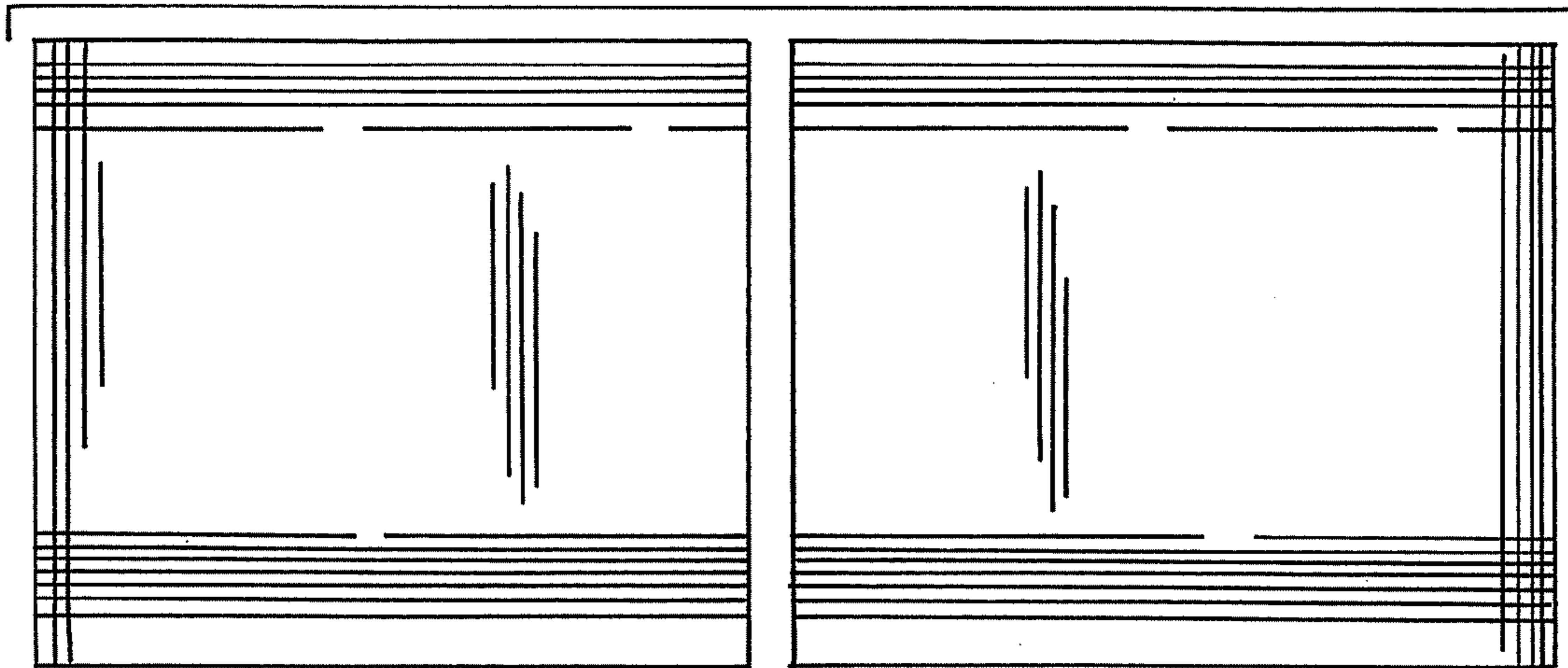


FIG. 10

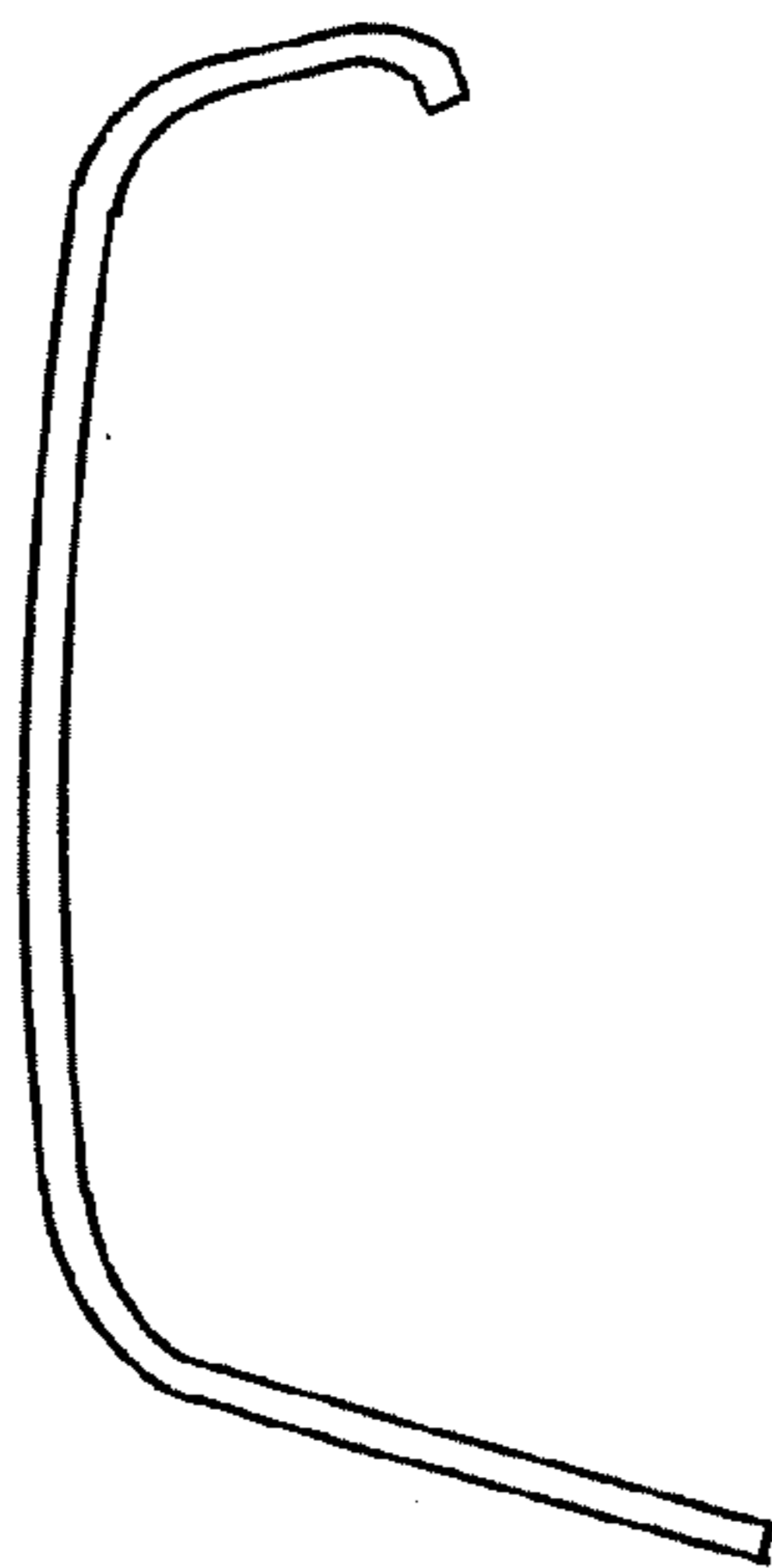


FIG. 13

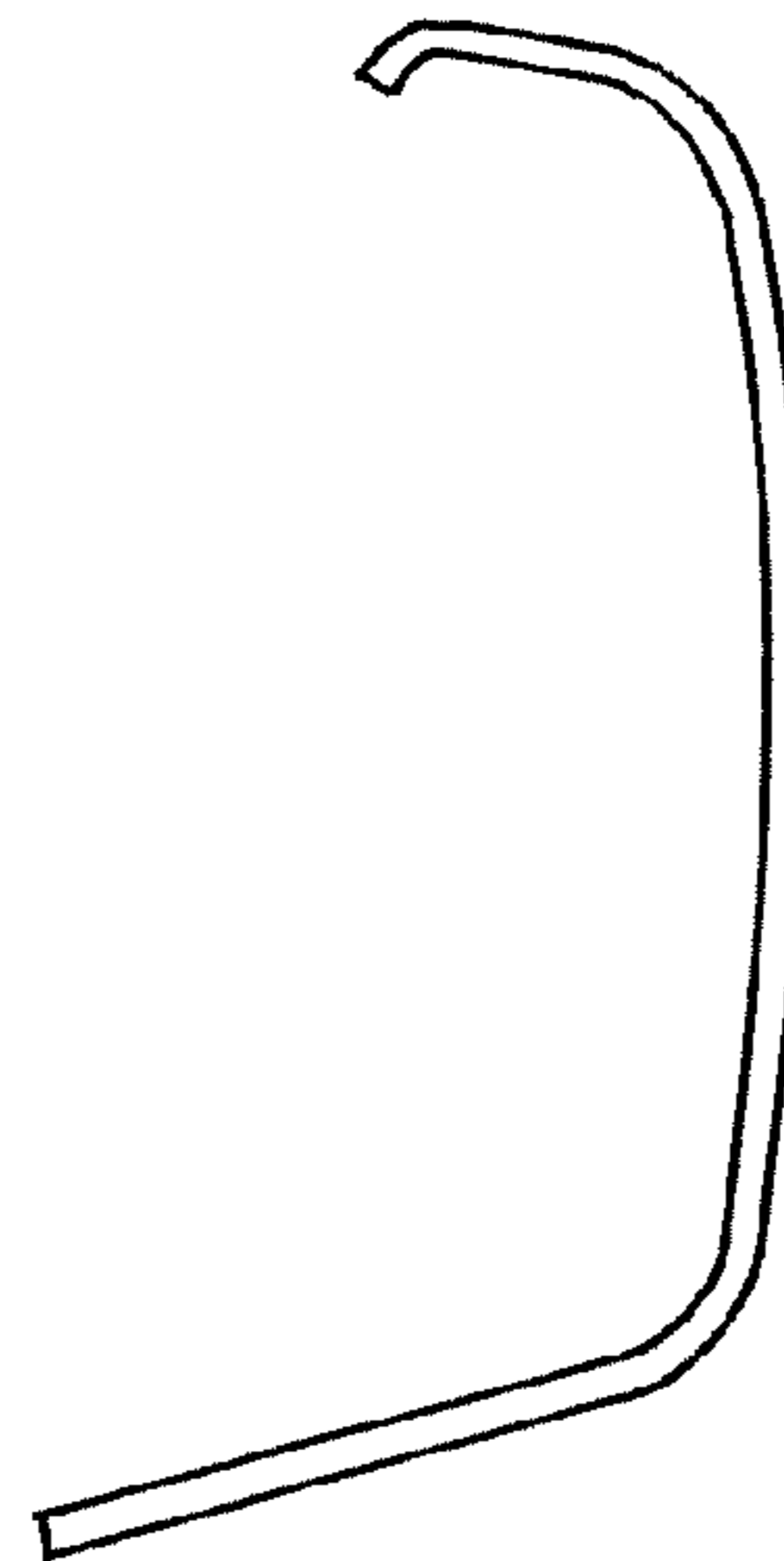


FIG. 14

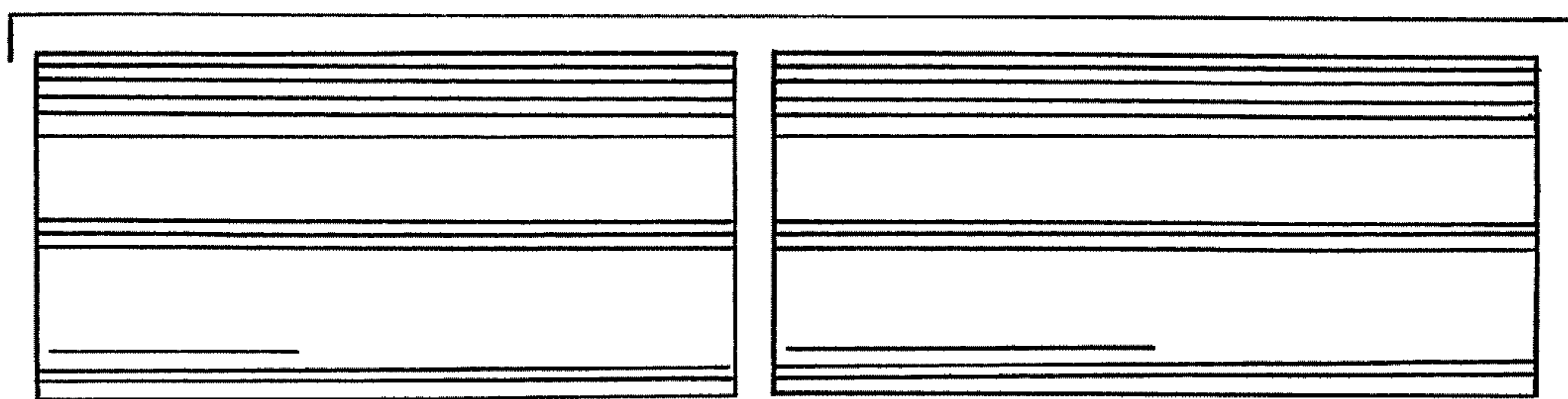


FIG. 11

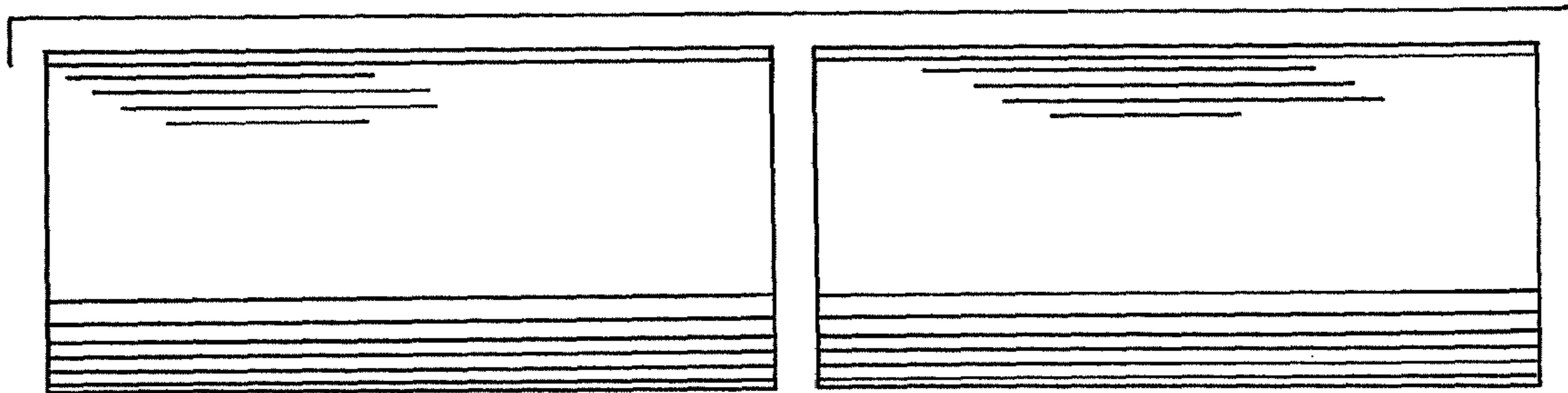


FIG. 12

UNITED STATES PATENT AND TRADEMARK OFFICE
CERTIFICATE OF CORRECTION

PATENT NO. : Des. 576,023 S
APPLICATION NO. : 29/221351
DATED : September 2, 2008
INVENTOR(S) : Urmson et al.

Page 1 of 1

It is certified that error appears in the above-identified patent and that said Letters Patent is hereby corrected as shown below:

Title page, Item (56) References Cited, U.S. PATENT DOCUMENTS, the sixth
reference "5,503,331 A 4/1996 Uramson, Jr. et al." should read
-- 5,503,331 A 4/1996 Urmson, Jr. et al. --

Signed and Sealed this

Twentieth Day of January, 2009



JON W. DUDAS

Director of the United States Patent and Trademark Office