



US00D576017S

(12) **United States Design Patent**
Hatton

(10) **Patent No.:** **US D576,017 S**
(45) **Date of Patent:** **** Sep. 2, 2008**

(54) **CASE LATCH**

(75) Inventor: **James Hatton**, East Sussex (GB)

(73) Assignee: **Penn Fabrication Limited**, East Sussex (GB)

(**) Term: **14 Years**

(21) Appl. No.: **29/254,298**

(22) Filed: **Feb. 22, 2006**

(30) **Foreign Application Priority Data**

Aug. 22, 2005 (EM) 000389929

(51) **LOC (8) Cl.** **08-07**

(52) **U.S. Cl.** **D8/331**

(58) **Field of Classification Search** D8/300-301,
D8/306-308, 310-314, 330-331, 336-338,
D8/339, 341-344; 16/445, 412, 416; 292/109-114,
292/203, 216, 336.3; 220/766; 403/182

See application file for complete search history.

(56) **References Cited**

U.S. PATENT DOCUMENTS

1,304,700 A * 5/1919 Otte 16/412
2,793,386 A * 5/1957 Muhlhauser 16/416
2,820,995 A * 1/1958 Schlueter 403/182

2,853,752 A * 9/1958 Schlueter 403/182
3,384,402 A * 5/1968 Swanson 292/113
3,936,082 A * 2/1976 Swanson 292/113
4,522,436 A * 6/1985 Hoen et al. 292/113
D303,618 S * 9/1989 Russell et al. D8/306
D371,500 S * 7/1996 McConnell et al. D8/302
5,797,635 A * 8/1998 Willems 292/111
D454,478 S * 3/2002 Willems D8/331
D457,801 S * 5/2002 Zamberg D8/331
D515,395 S * 2/2006 Willems D8/301

* cited by examiner

Primary Examiner—Paula A Greene

(74) *Attorney, Agent, or Firm*—Muncy, Geissler, Olds & Lowe, PLLC

(57) **CLAIM**

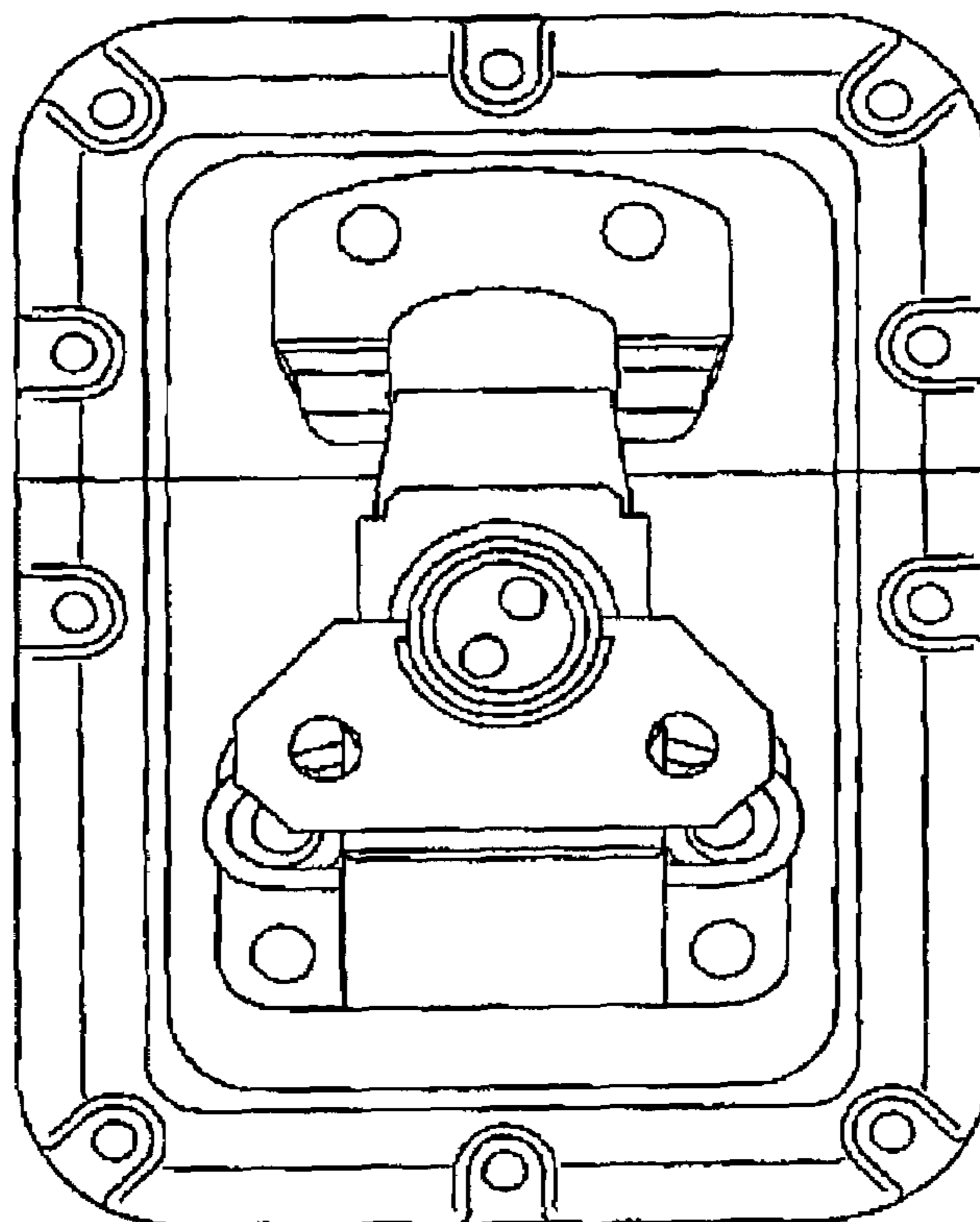
The ornamental design for a case latch, as shown and described.

DESCRIPTION

FIG. 1 is a front elevational view of a case latch showing my new design the top and bottom thereof being substantially flat and unornamented; and,

FIG. 2 is a right side view thereof, the left side being a mirror image thereof.

1 Claim, 2 Drawing Sheets



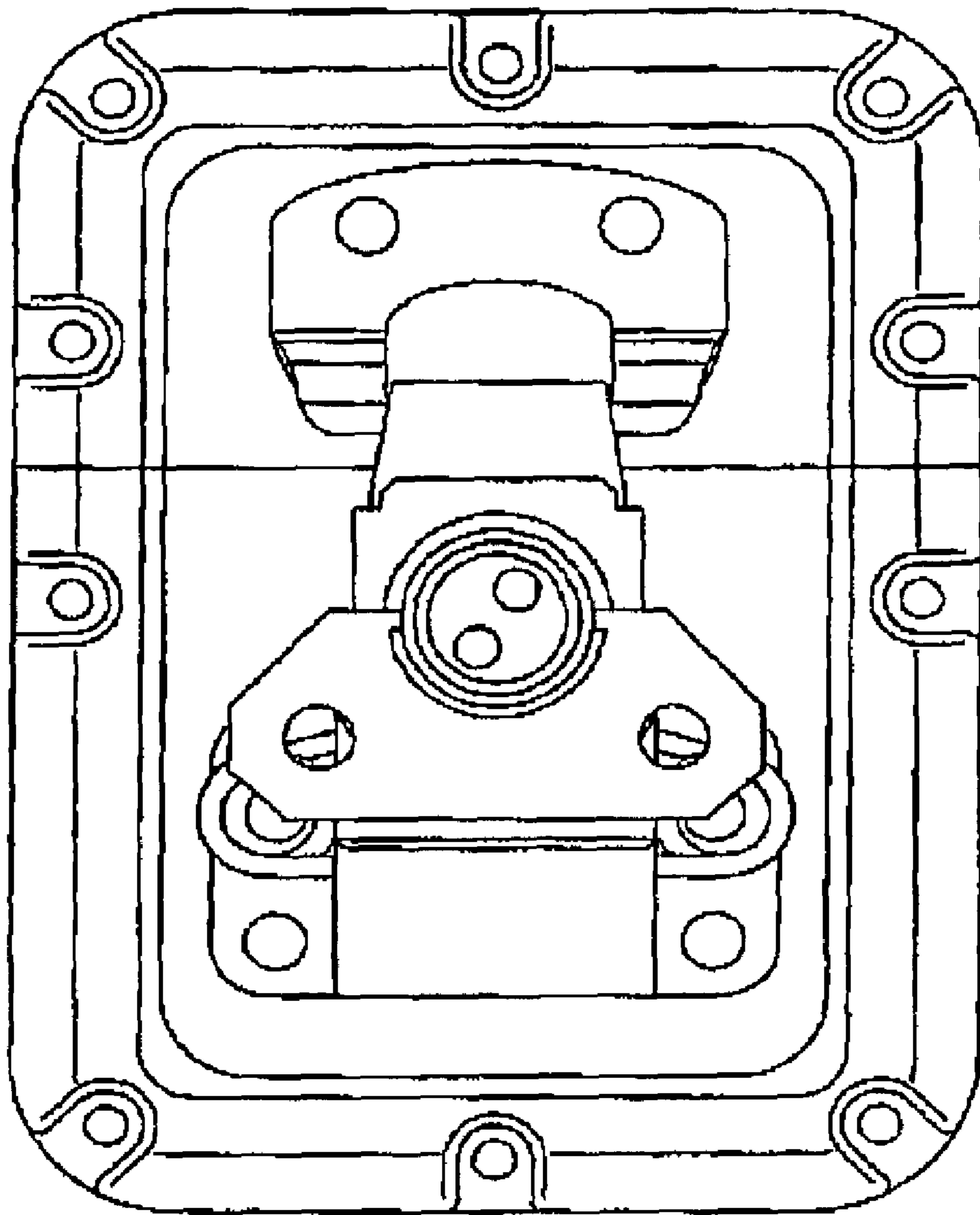


FIG. 1

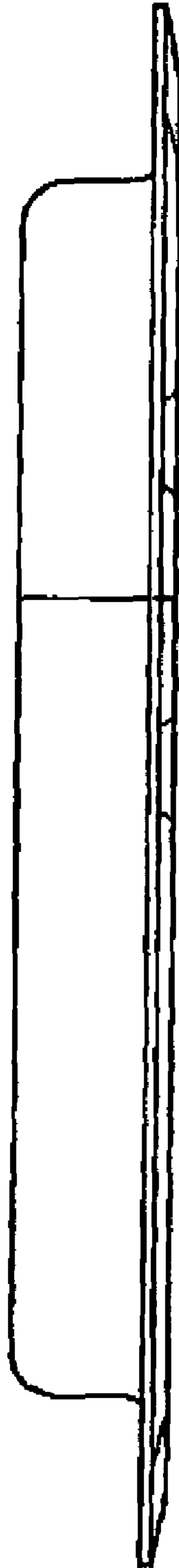


FIG. 2