



US00D576015S

(12) **United States Design Patent**
Lange

(10) **Patent No.:** **US D576,015 S**
(45) **Date of Patent:** **** Sep. 2, 2008**

(54) **HINGE FOR FLUSH MOUNT ENCLOSURE**

GB 2099422 * 2/2001
GB 2099423 * 10/2001

(75) Inventor: **Timothy Gordon Lange**, Champlin, MN (US)

(73) Assignee: **Hoffman Enclosures, Inc.**, Anoka, MN (US)

Primary Examiner—T. Chase Nelson
Assistant Examiner—Karen Acker
(74) *Attorney, Agent, or Firm*—Greenberg Traurig, LLP

(**) Term: **14 Years**

(57) **CLAIM**

(21) Appl. No.: **29/248,631**

The ornamental design for a hinge for flush mount enclosure, as shown and described.

(22) Filed: **Aug. 24, 2006**

Related U.S. Application Data

DESCRIPTION

(63) Continuation-in-part of application No. 11/138,071, filed on May 26, 2005.

(51) **LOC (8) Cl.** **08-06**

(52) **U.S. Cl.** **D8/323**

(58) **Field of Classification Search** D8/323–329, D8/354, 356, 371; 16/221, 234–237, 239–241, 16/245–246, 249, 254, 261, 262, 265, 272, 16/277, 307, 309, 316, 319, 327–330, 335, 16/339, 342, 379, 381–389, DIG. 13, DIG. 40, 16/DIG. 43; 248/200, 221.11, 300, 309.1, 248/317

See application file for complete search history.

FIG. 1 is a perspective view of a hinge for flush mount enclosure, incorporating the new design; the hinge for flush mount enclosure is shown in condition of use mounted onto the front of a broken line electrical enclosure with two additional broken line hinges. All broken lines shown are for illustrative purposes only and form no part of the claimed design.

FIG. 2 is a front view of a hinge for flush mount enclosure, incorporating the new design; the hinge for flush mount enclosure is shown in condition of use mounted onto the front of a broken line electrical enclosure with two additional broken line hinges. All broken lines shown are for illustrative purposes only and form no part of the claimed design.

FIG. 3 is a perspective view of the hinge for flush mount enclosure of FIG. 1;

FIG. 4 is a front view of the hinge for flush mount enclosure of FIG. 1;

FIG. 5 is a top view of the hinge for flush mount enclosure of FIG. 1;

FIG. 6 is a bottom view of the hinge for flush mount enclosure of FIG. 1;

FIG. 7 is a left side view of the hinge for flush mount enclosure of FIG. 1; and,

FIG. 8 is a right side view of the hinge for flush mount enclosure of FIG. 1.

(56) **References Cited**

U.S. PATENT DOCUMENTS

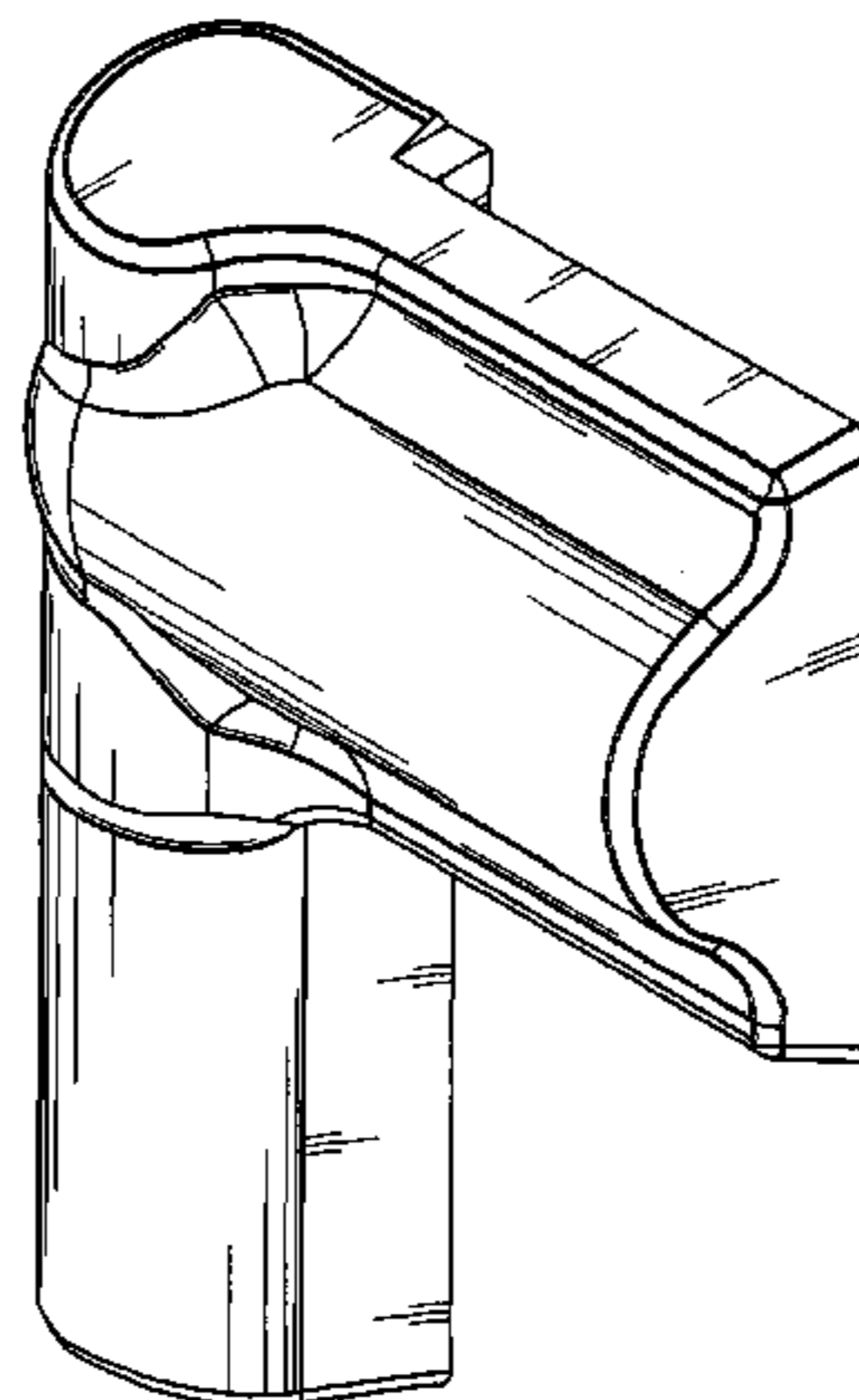
480,790 A * 8/1892 Mottinger 16/379

(Continued)

FOREIGN PATENT DOCUMENTS

GB 2017220 * 9/1991
GB 2017221 * 9/1991
GB 2017222 * 9/1991
GB 2017223 * 9/1991
GB 2017224 * 9/1991
GB 2017225 * 9/1991
GB 2049925 * 8/1995
GB 2096160 * 9/2000

1 Claim, 6 Drawing Sheets



US D576,015 S

Page 2

U.S. PATENT DOCUMENTS

481,044	A *	8/1892	Tangney	16/383	D433,918	S *	11/2000	Bradley et al.	D8/323
537,229	A *	4/1895	Ppleghar	16/389	D471,425	S *	3/2003	Zeilinger	D8/323
D165,982	S *	2/1952	Kennedy	D23/388	6,648,544	B2 *	11/2003	Liu	403/408.1
D235,415	S *	6/1975	Martini	D8/323	D507,170	S *	7/2005	Franchini	D8/323
4,338,699	A *	7/1982	Rock	16/237	D512,897	S *	12/2005	Franchini	D8/323
4,640,642	A *	2/1987	Magid et al.	403/157	7,168,136	B2 *	1/2007	Gan	16/367
5,647,182	A *	7/1997	Rutherford	52/287.1	7,203,995	B2 *	4/2007	Hsu et al.	16/330
5,715,572	A *	2/1998	Steinberg	16/221	2005/0251962	A1 *	11/2005	De Mello et al.	16/262
5,943,739	A *	8/1999	Vandergriff	16/366					

* cited by examiner

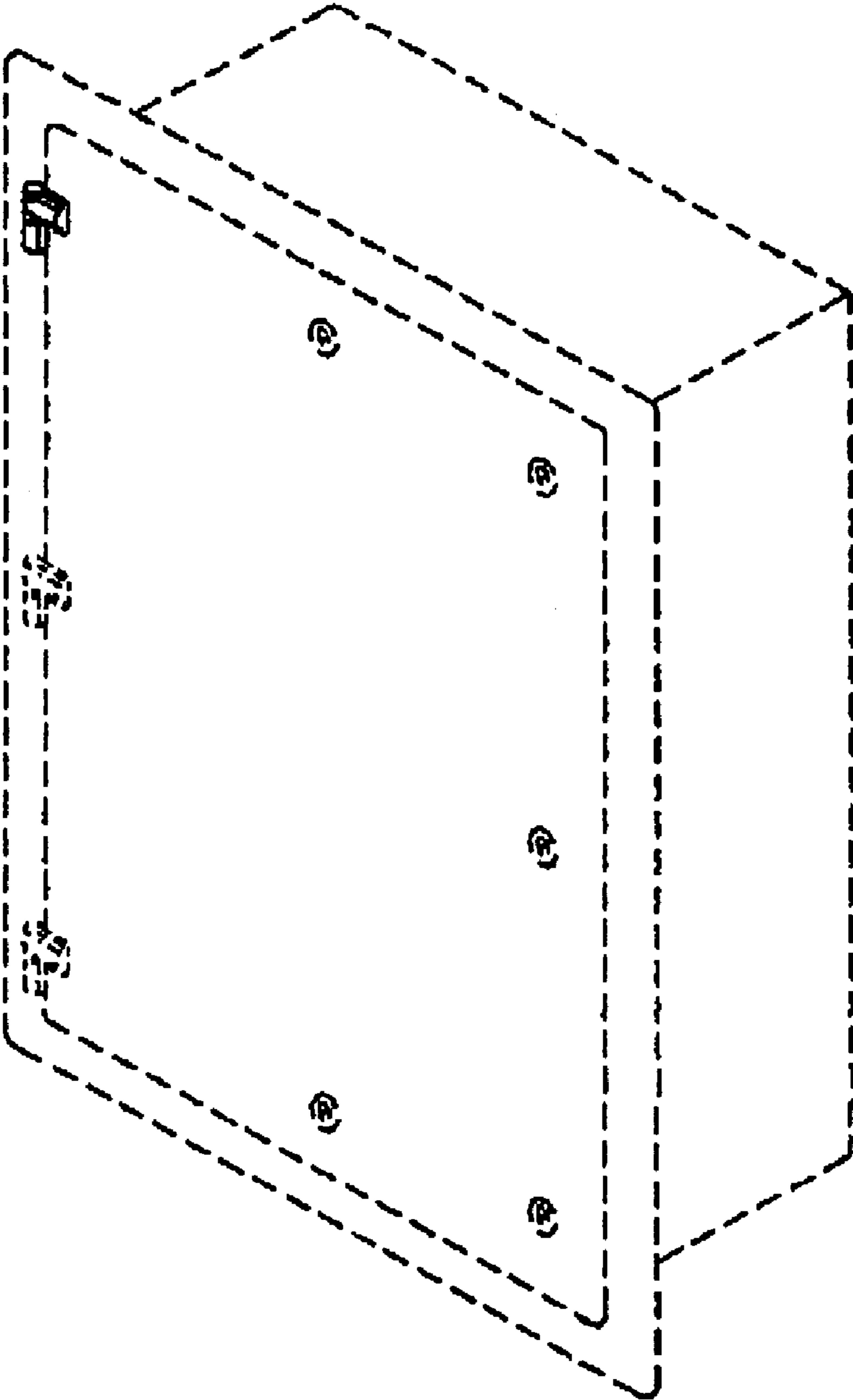


FIG. 1

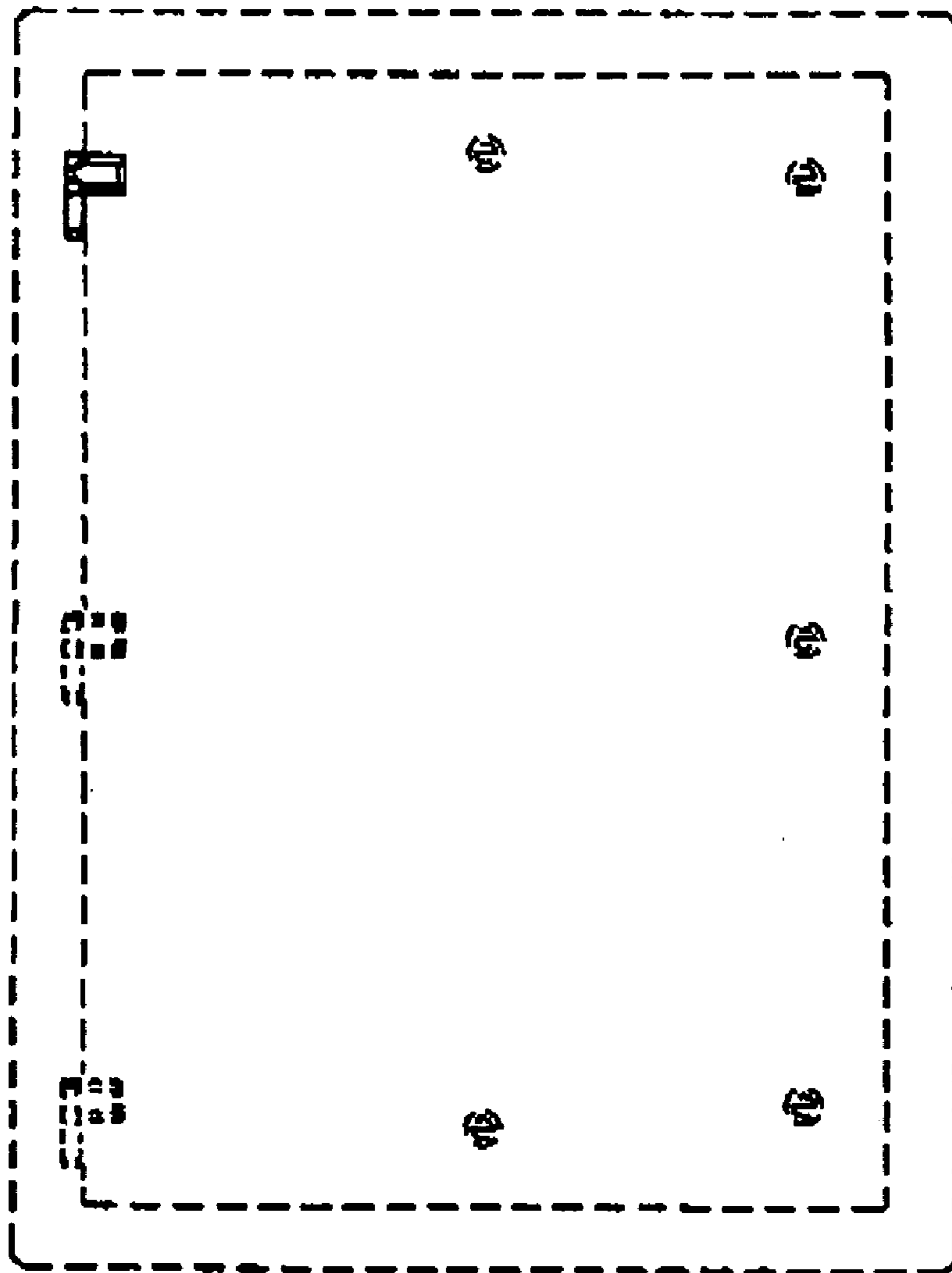


FIG. 2

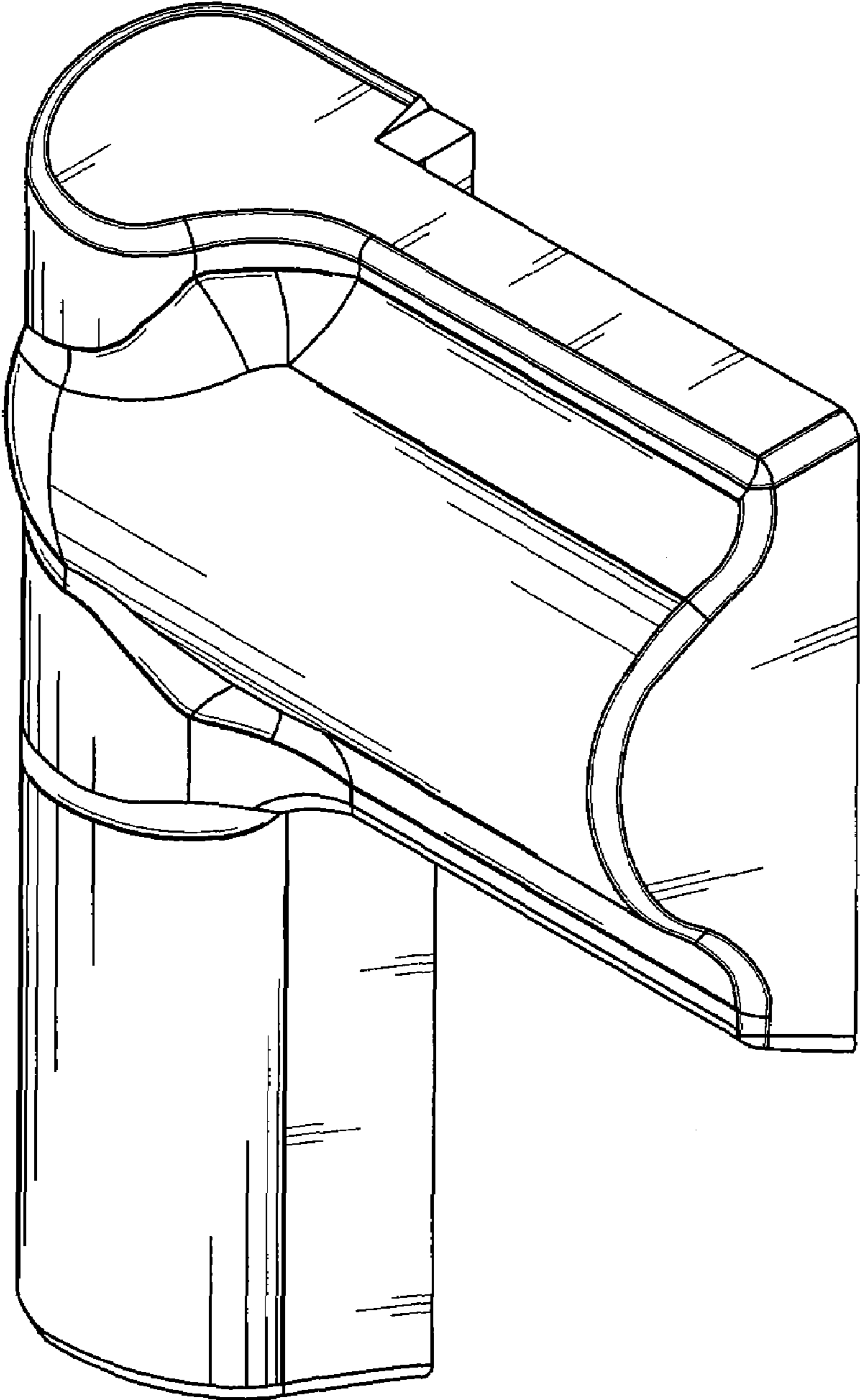


FIG. 3

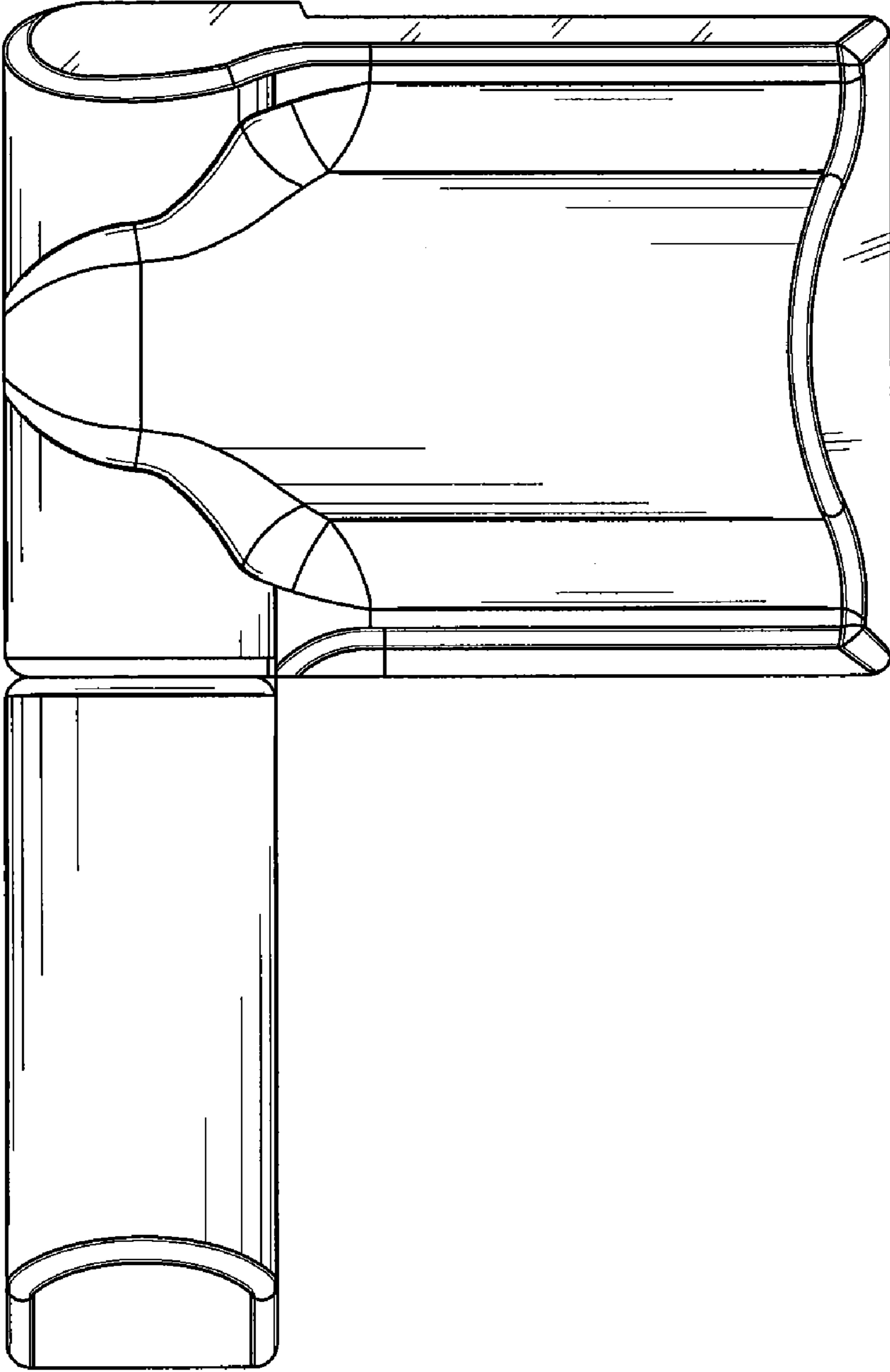


FIG. 4

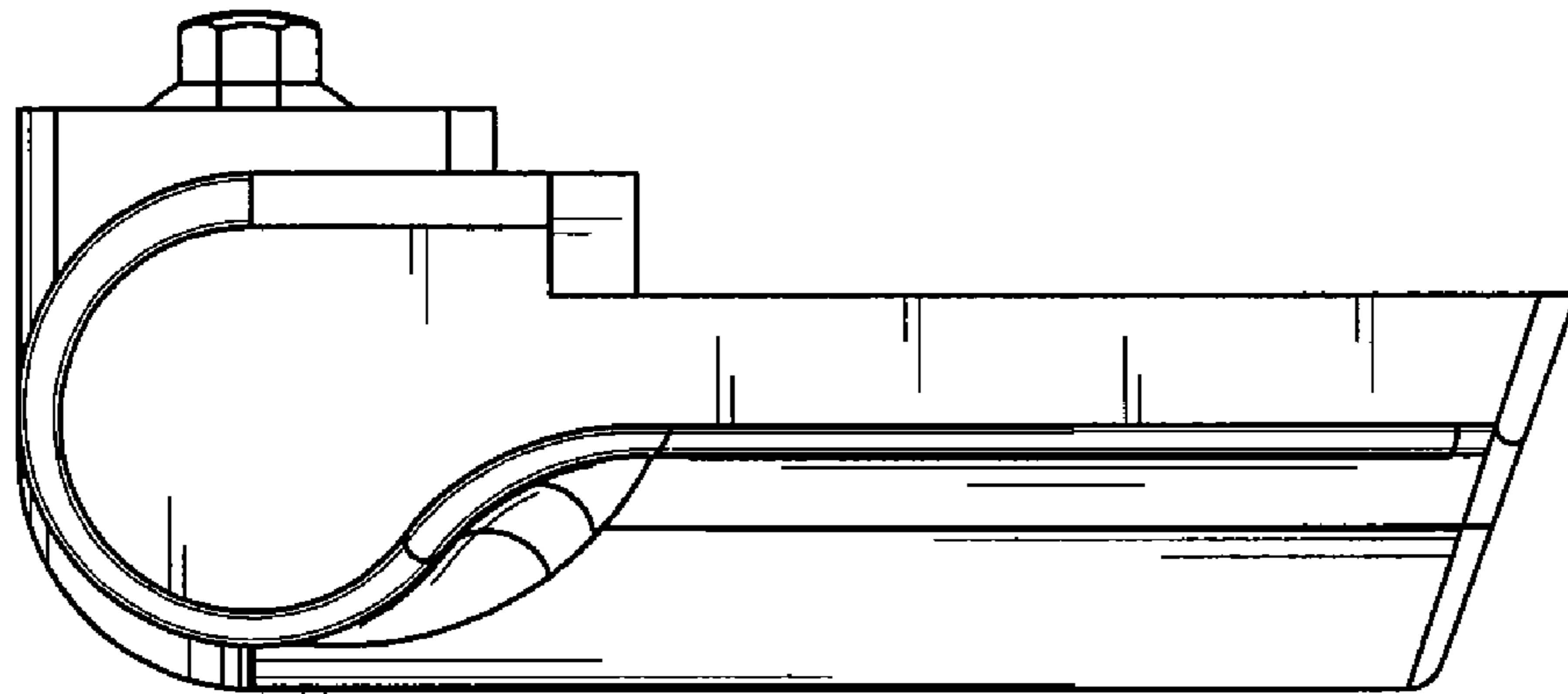


FIG. 5

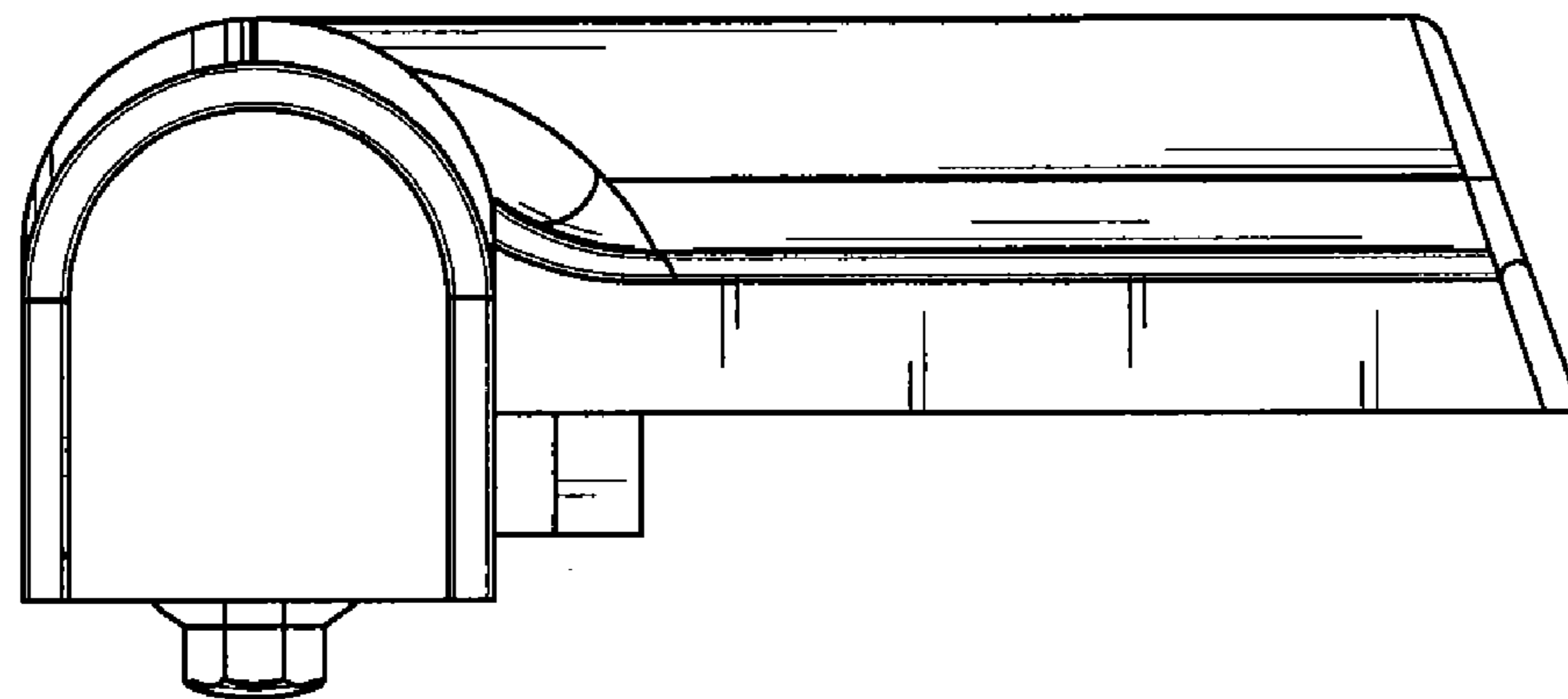


FIG. 6

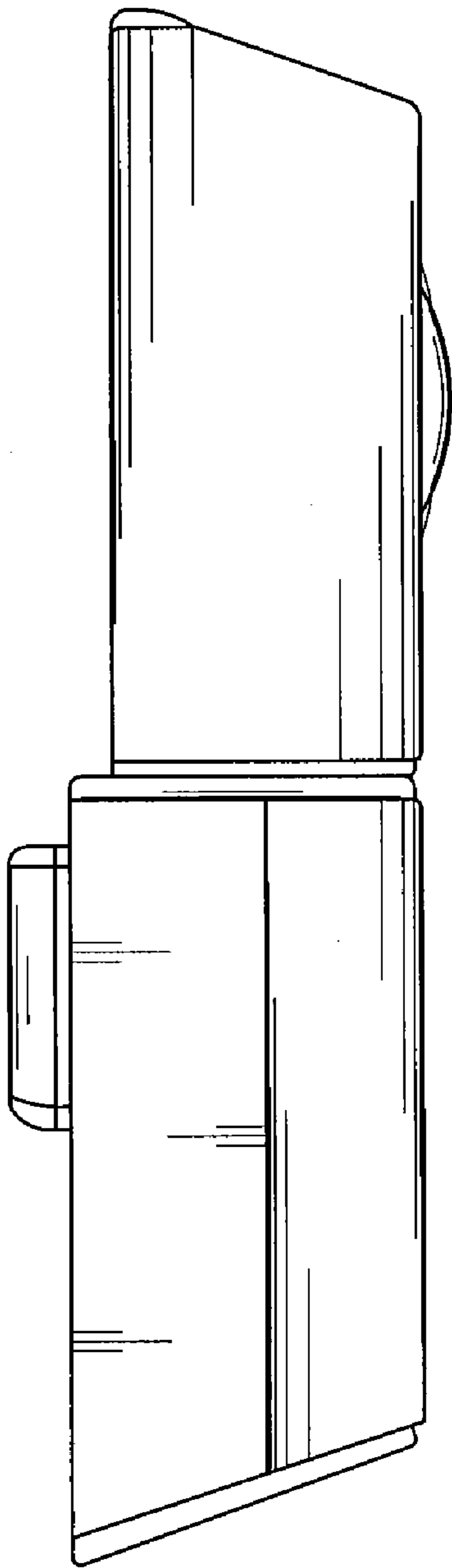


FIG. 7

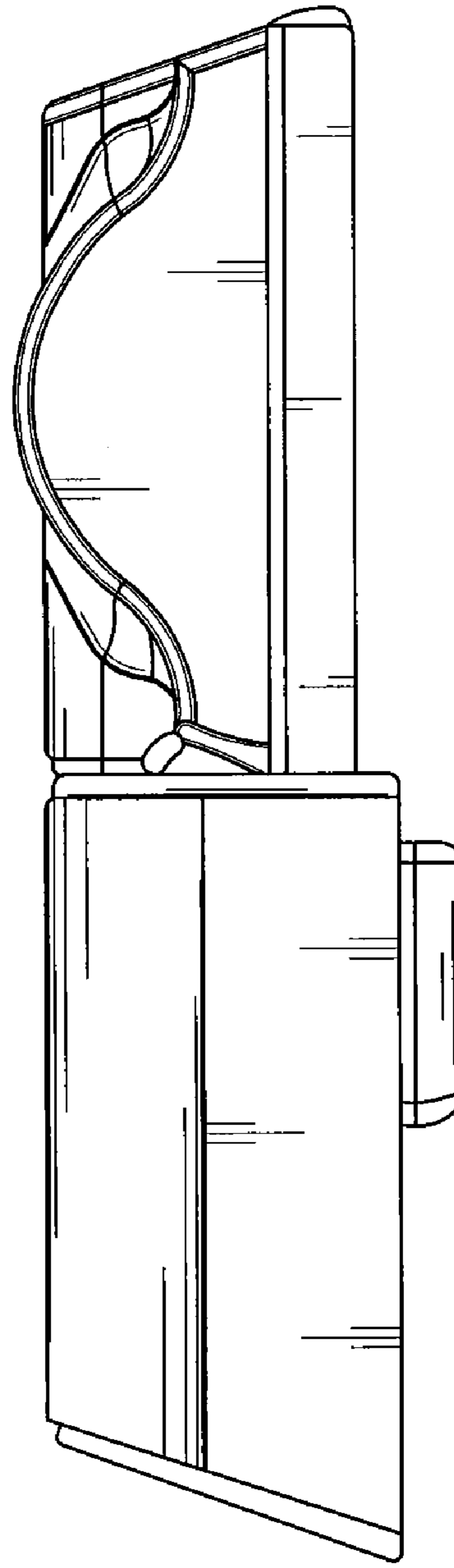


FIG. 8