



US00D576014S

(12) **United States Design Patent**
Bertani

(10) **Patent No.:** **US D576,014 S**
(45) **Date of Patent:** **** Sep. 2, 2008**

- (54) **TWO ARM HANDWHEEL**
- (75) Inventor: **Alberto Bertani**, Milan (IT)
- (73) Assignee: **Elesa S.p.A.**, Milan (IT)
- (**) Term: **14 Years**
- (21) Appl. No.: **29/317,246**
- (22) Filed: **Apr. 25, 2008**

Related U.S. Application Data

- (62) Division of application No. 29/276,287, filed on Jan. 22, 2007.

(30) **Foreign Application Priority Data**

Jul. 26, 2006 (EM) 000566997

- (51) **LOC (8) Cl.** **08-06**
- (52) **U.S. Cl.** **D8/309**
- (58) **Field of Classification Search** D8/300,
D8/309, 306, 307, 310, 353, 352; D15/142;
D23/253; 16/110.1, 429, 432; 74/545, 552,
74/555-558, 522, 523; 118/66, 108, 208
See application file for complete search history.

(56) **References Cited**

U.S. PATENT DOCUMENTS

- D289,370 S * 4/1987 Bertani D8/309
- D369,965 S * 5/1996 Decursu et al. D8/308

- D369,966 S * 5/1996 Decursu et al. D8/309
- D373,064 S * 8/1996 Decursu et al. D8/309
- D379,580 S * 6/1997 Amundsen D8/300
- D463,967 S * 10/2002 Bertani D8/309
- D464,864 S * 10/2002 Bertani D8/309
- D493,348 S * 7/2004 Bertani D8/300
- D495,231 S * 8/2004 Bertani D8/309
- D523,320 S * 6/2006 Bertani D8/309
- D566,146 S * 4/2008 Bertani D15/142

* cited by examiner

Primary Examiner—Paula A Greene

(74) *Attorney, Agent, or Firm*—Pearne & Gordon LLP

(57) **CLAIM**

The ornamental design for a two arm handwheel, as shown and described.

DESCRIPTION

FIG. 1 is a perspective view of a two arm handwheel of my new invention;

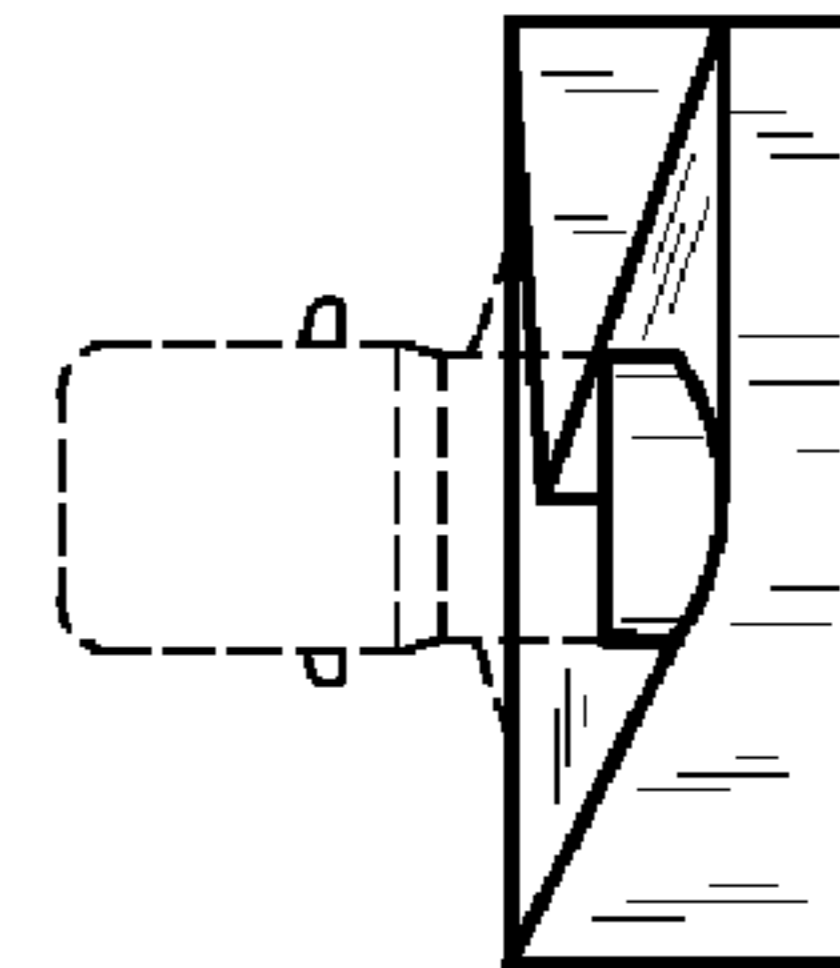
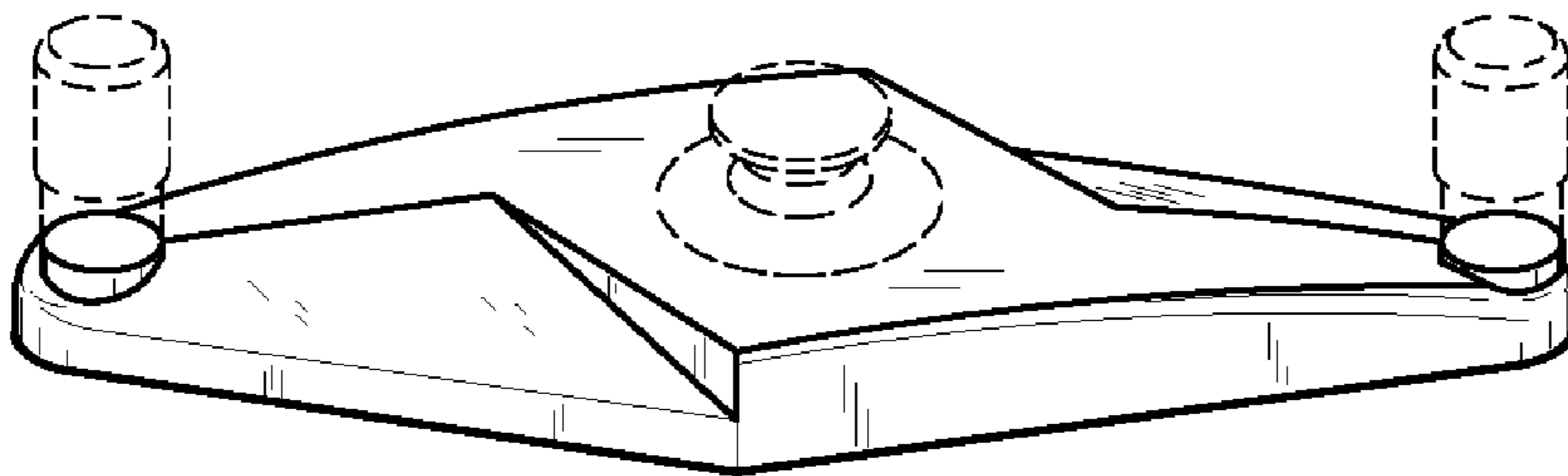
FIG. 2 is a bottom view of FIG. 1, a top view being a mirror image thereof;

FIG. 3 is a front view of FIG. 1; and,

FIG. 4 is a right side view of FIG. 1, a left side view being a mirror image thereof.

The knob and hub portions of the handwheel are shown in broken lines for illustrative purposes only and form no part of the claimed design.

1 Claim, 1 Drawing Sheet



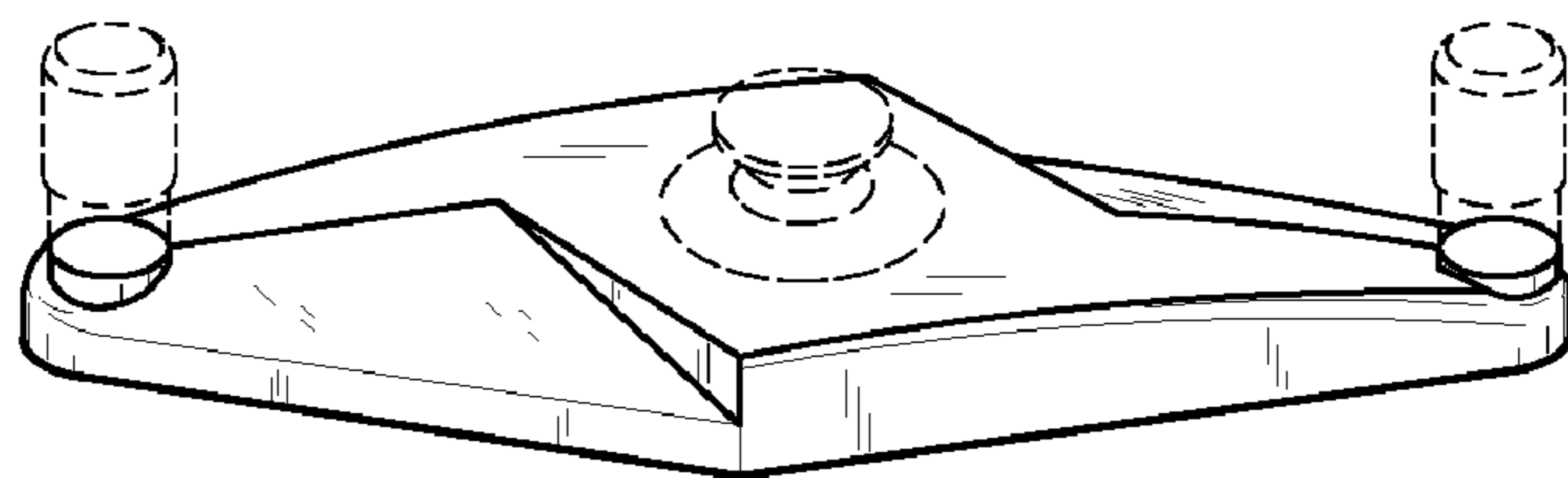


FIG. 1

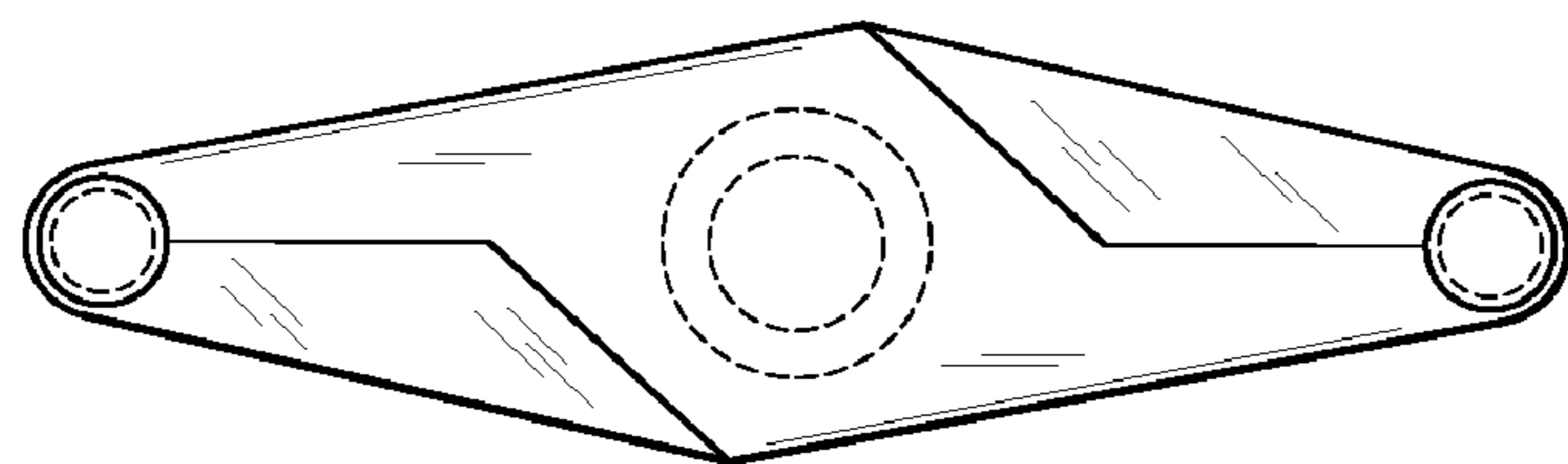


FIG. 3

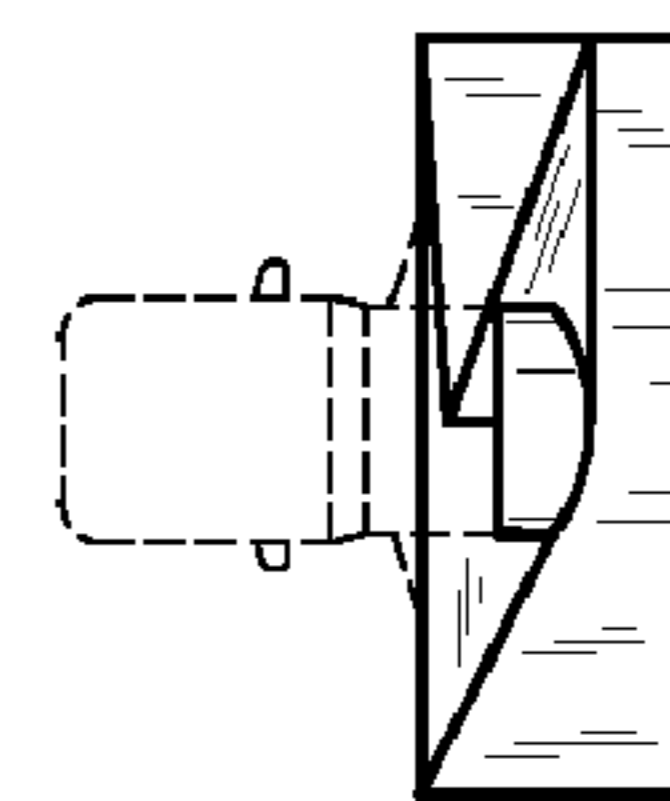


FIG. 4

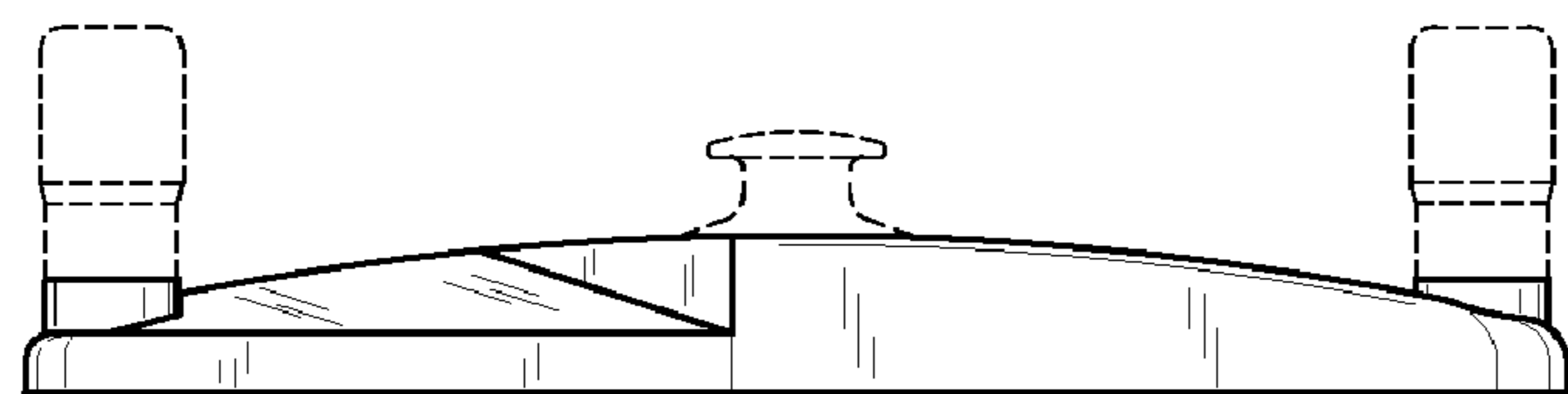


FIG. 2