

US00D576013S

(12) **United States Design Patent**
Cuffe

(10) **Patent No.:** **US D576,013 S**
(45) **Date of Patent:** **** Sep. 2, 2008**

(54) **TOILET SEAT HANDLE**

(76) Inventor: **Michael W. Cuffe**, 1843 Fox Springs Cir., Newbury Park, CA (US) 91320-5906

(**) Term: **14 Years**

(21) Appl. No.: **29/289,405**

(22) Filed: **Jul. 19, 2007**

(51) **LOC (8) Cl.** **08-06**

(52) **U.S. Cl.** **D8/307**

(58) **Field of Classification Search** D8/302, D8/305, 307, 378; D7/515, 300.2, 901; D23/309, D23/311; 4/246.1; 16/227, 422, 426; D19/58; 24/43, 47, 56, 61, 90.1, 114.11; 2/145; 181/130, 181/131, 135; 428/28

See application file for complete search history.

(56) **References Cited**

U.S. PATENT DOCUMENTS

177,253	A *	5/1876	Keats	24/90.1
556,984	A *	3/1896	Hum	428/28
873,355	A *	12/1907	Doran	24/114.8
908,231	A *	12/1908	Findley	24/90.1
1,482,385	A *	2/1924	Cohen	24/90.1
1,779,227	A *	10/1930	Daughaday	24/114.11
3,935,601	A	2/1976	Hermann		
4,129,907	A *	12/1978	Vaughan et al.	4/246.1
4,574,401	A	3/1986	Nakajima		
4,742,582	A	5/1988	Giallourakis		
4,875,251	A	10/1989	Hazard		
4,920,586	A	5/1990	Giallourakis		
5,461,733	A *	10/1995	McKee	4/246.1
5,729,839	A *	3/1998	Bigelow	4/246.1
D400,422	S *	11/1998	Dennison et al.	D8/305

5,896,592	A *	4/1999	Santa Cruz et al.	4/246.1
5,940,896	A *	8/1999	Berring	4/241
5,986,523	A	11/1999	DeMott et al.		
D498,835	S	11/2004	Bettinger		
6,842,916	B1 *	1/2005	Gunn et al.	4/246.1
D508,392	S	8/2005	Ehle		
D515,907	S	2/2006	Miller		
D527,609	S	9/2006	Tellinghuisen		
D529,784	S	10/2006	Tellinghuisen		

* cited by examiner

Primary Examiner—Paula A Greene

(74) *Attorney, Agent, or Firm*—Klein, DeNatale, Goldner; Charlette M. Crissman

(57) **CLAIM**

The ornamental design for the toilet seat handle, as shown and described.

DESCRIPTION

The claimed toilet seat handle is used to attach to the underneath of a toilet seat.

FIG. 1 is a perspective view of the toilet seat handle showing my new design;

FIG. 2 is a right side view thereof;

FIG. 3 is a left side view thereof;

FIG. 4 is a front view thereof;

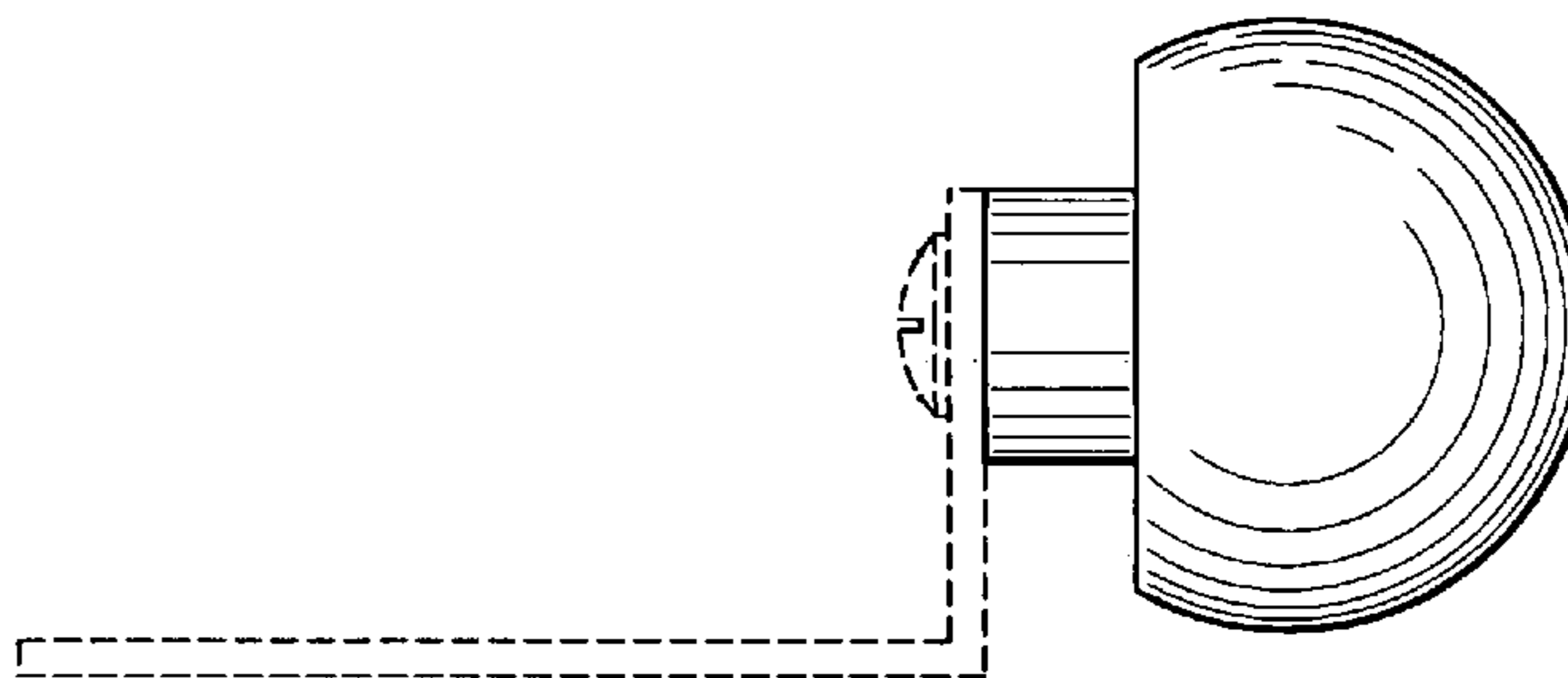
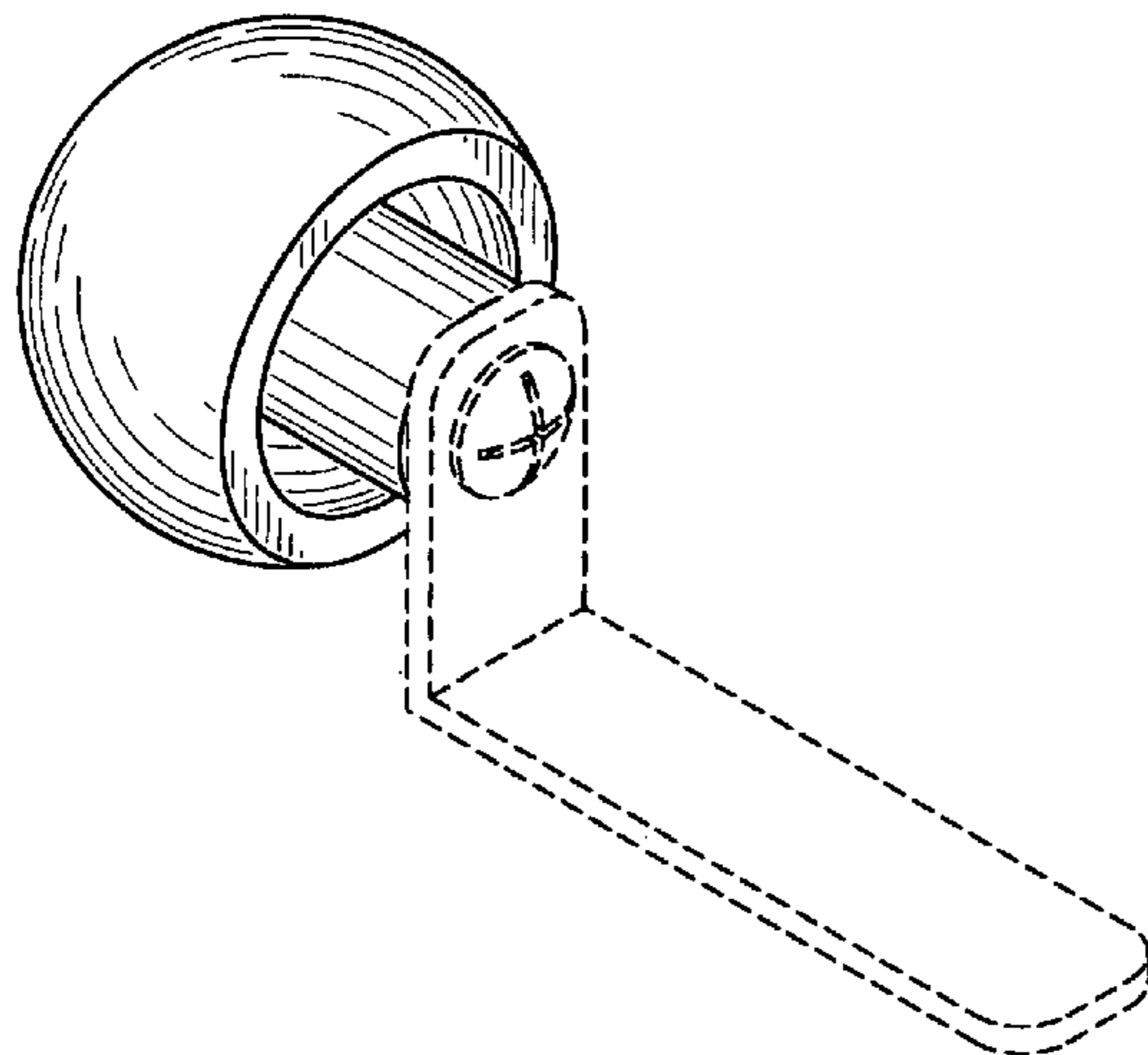
FIG. 5 is a back view thereof;

FIG. 6 is a top view thereof; and,

FIG. 7 is a bottom view thereof.

The broken lines are included for the purpose of illustration and form no part of the claimed design.

1 Claim, 4 Drawing Sheets



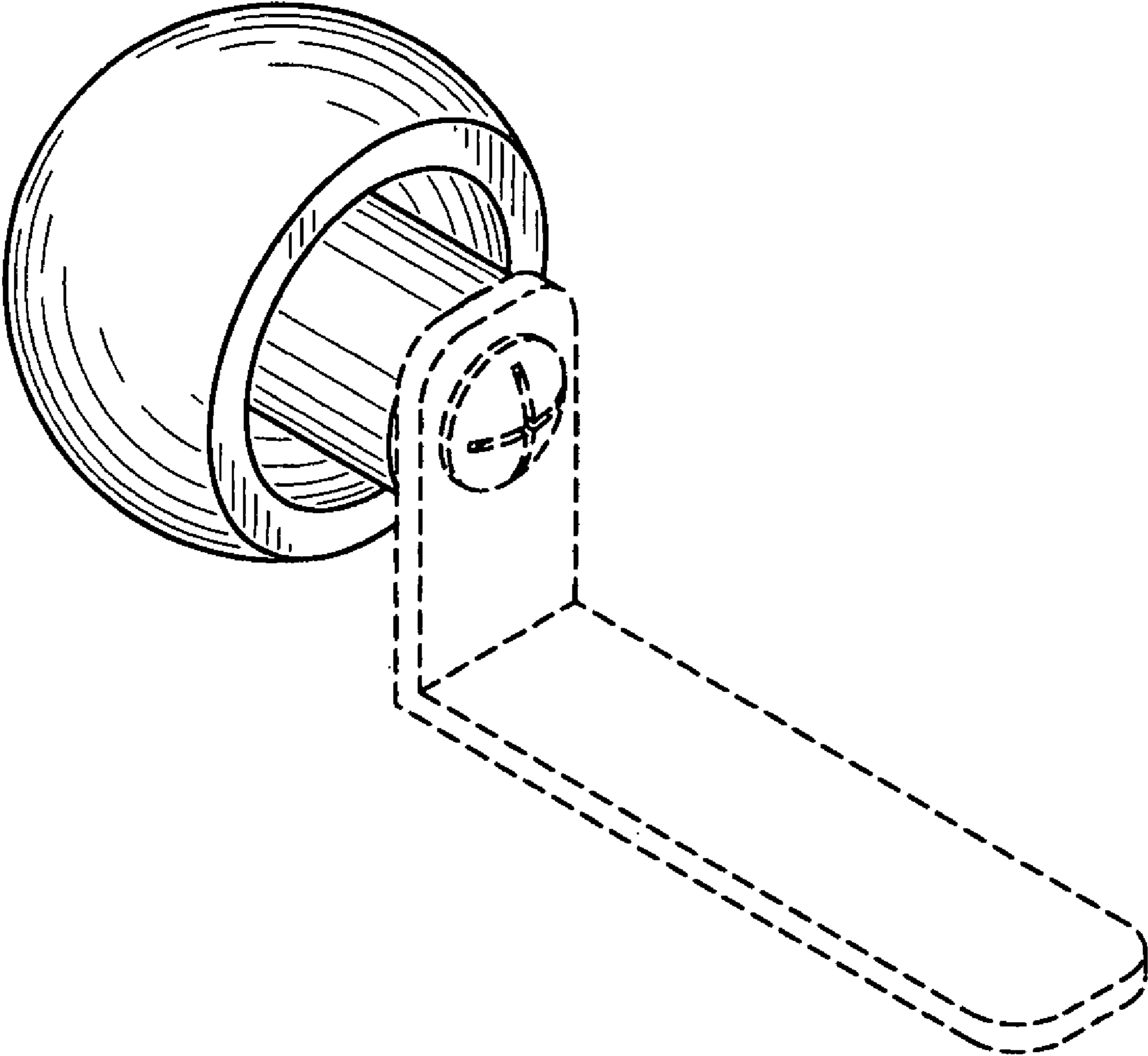


FIG. 1

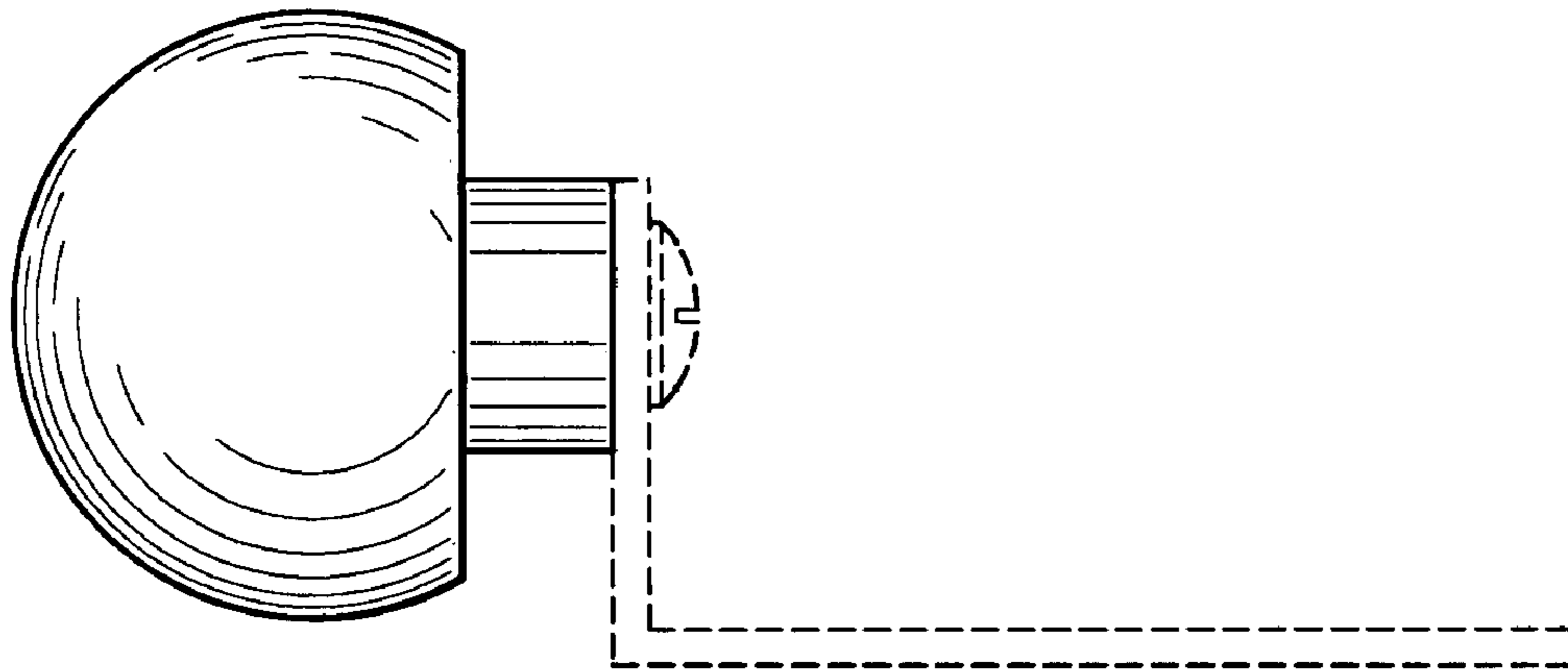


FIG. 2

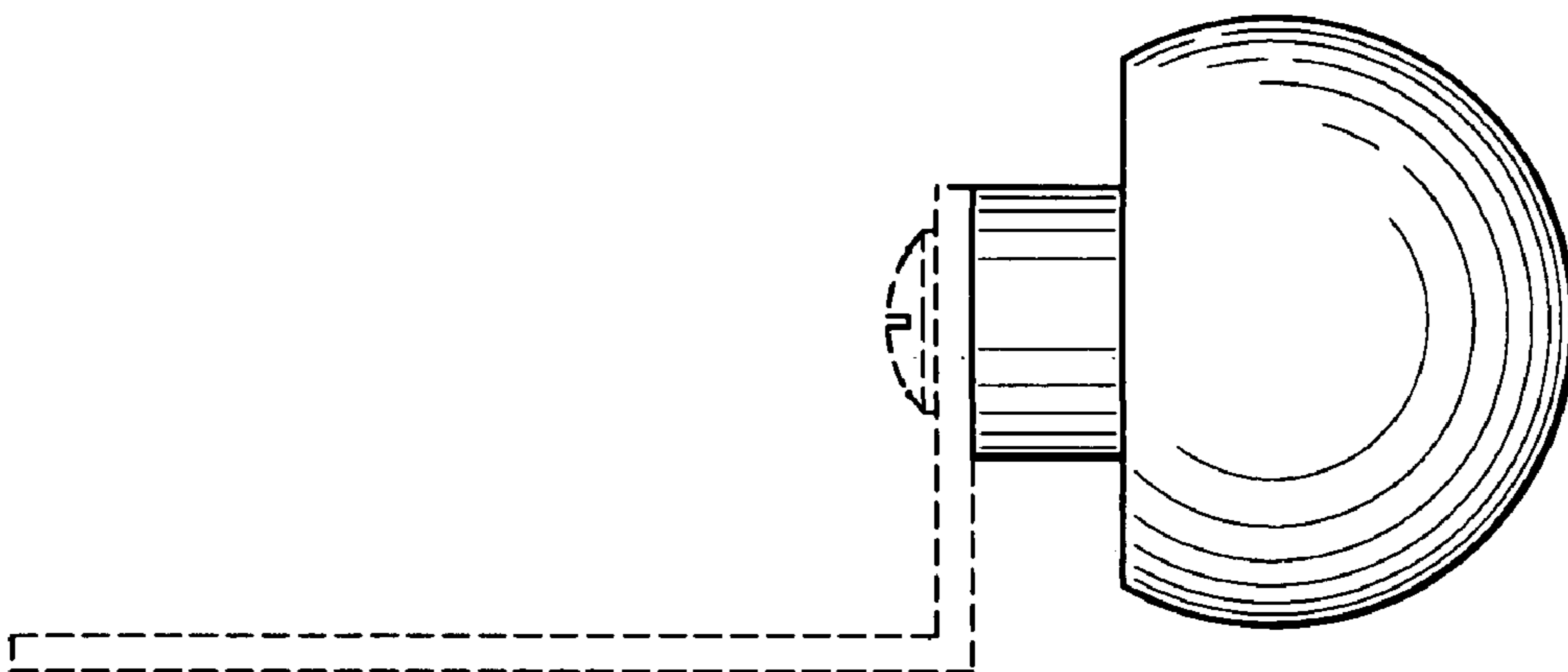


FIG. 3

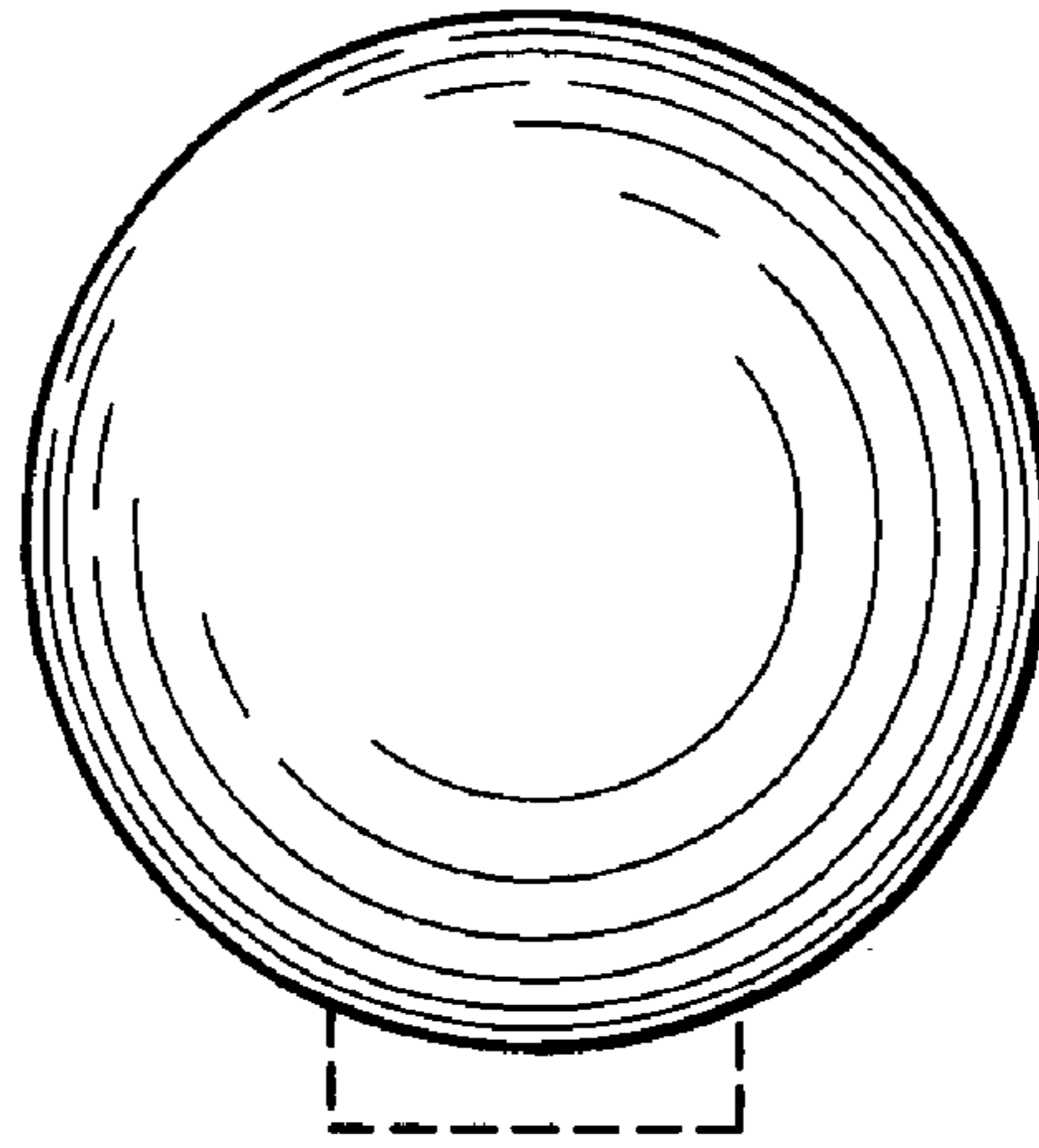


FIG. 4

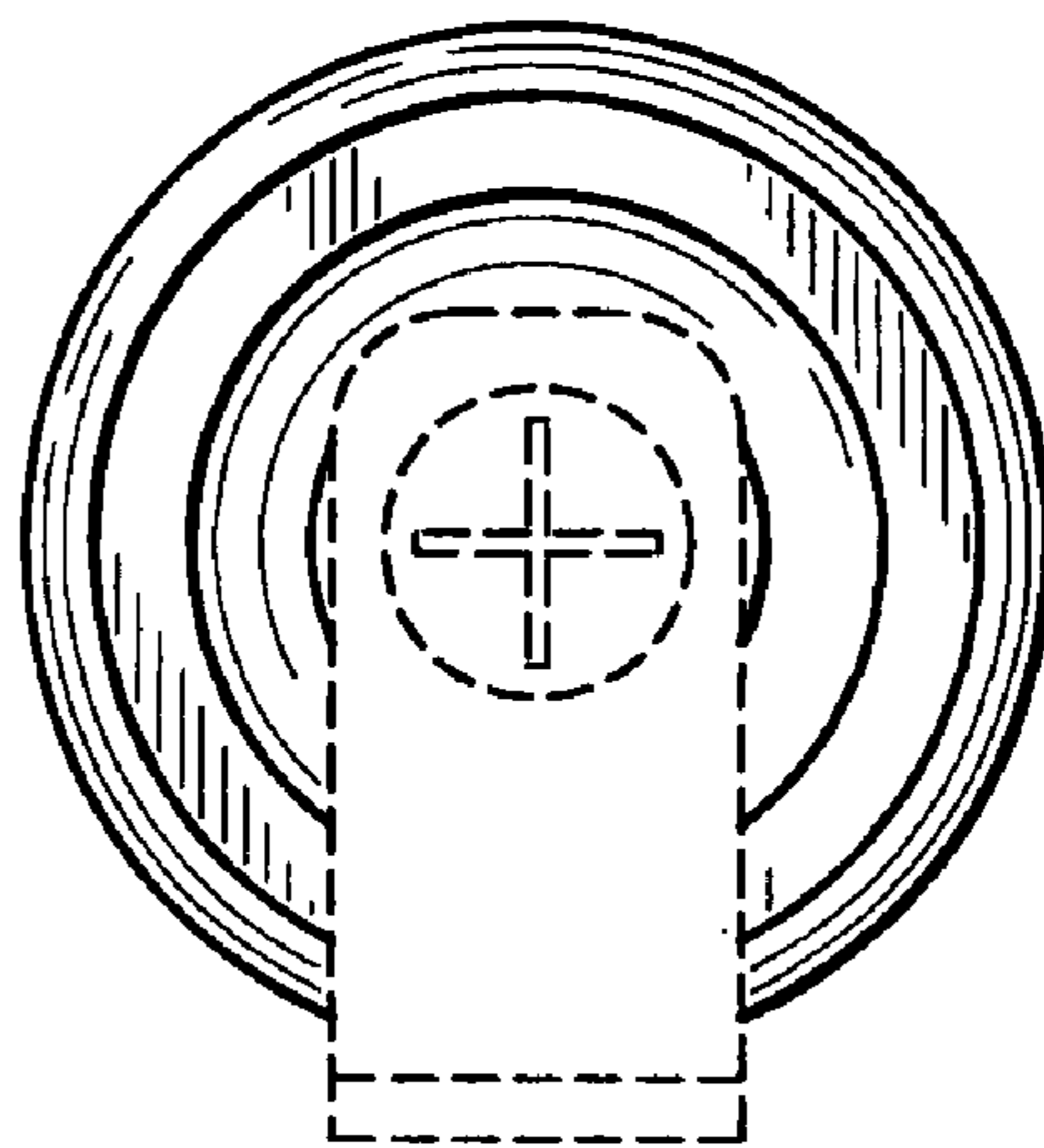


FIG. 5

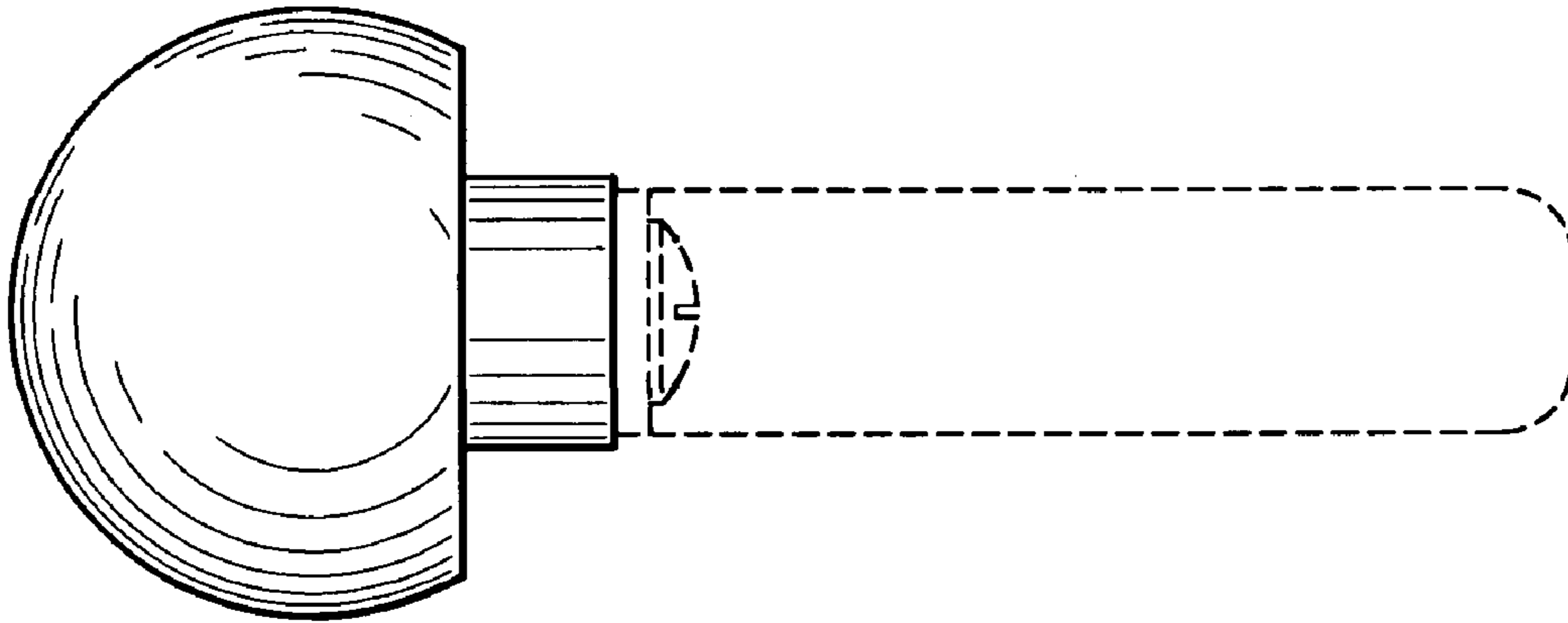


FIG. 6

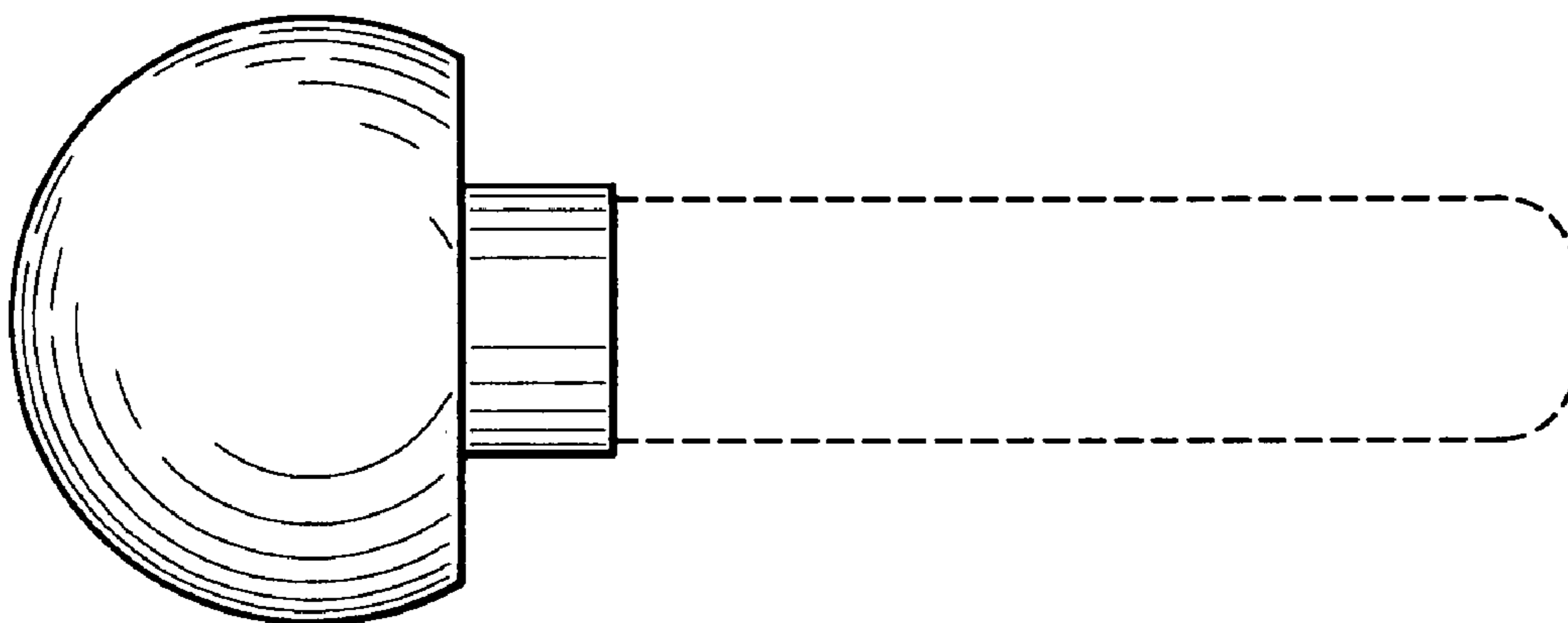


FIG. 7