



US00D576012S

(12) **United States Design Patent**
Egan

(10) **Patent No.:** **US D576,012 S**
(45) **Date of Patent:** **** Sep. 2, 2008**

(54) **MOTORCYCLE GRIP**

(75) Inventor: **Craig P. Egan**, Peterborough (CA)

(73) Assignee: **Kuryakyn Holdings, Inc.**, Somerset, WI (US)

(**) Term: **14 Years**

(21) Appl. No.: **29/294,825**

(22) Filed: **Jan. 27, 2008**

Related U.S. Application Data

(63) Continuation of application No. 29/271,414, filed on Jan. 18, 2007, now Pat. No. Des. 560,463.

(51) **LOC (8) Cl.** **12-11**

(52) **U.S. Cl.** **D8/303**

(58) **Field of Classification Search** D8/303,
D8/DIG. 8; D12/110-112, 177-179; 180/219;
16/110.1, 421, 430, DIG. 12; 74/488, 489,
74/502.2, 551.8, 551.9

See application file for complete search history.

(56) **References Cited**

OTHER PUBLICATIONS

J & P Cycles 2004 Keeping the World on 2 Wheels® catalog, Chrome Grip-Wing for Ness Grips shown and described on p. 644.*
Kuryakyn Catalog, 2001 “ISO-Grips” (front page and p. 33, and copied from U.S. Appl. No. 29/271,414).*

Kuryakyn Catalog, 2003 “Bring Chrome to the People” 2pgs. (front page and p. 2, and copied from U.S. Appl. No. 29/271,414).*

* cited by examiner

Primary Examiner—Cathron Brooks

Assistant Examiner—Linda Brooks

(74) *Attorney, Agent, or Firm*—Dicke, Billig & Czaja

(57) **CLAIM**

The ornamental design for a motorcycle grip, as shown and described.

DESCRIPTION

FIG. 1 is a perspective view of the motorcycle grip of the present invention.

FIG. 2 is a first side elevation view thereof.

FIG. 3 is a second side elevation view thereof.

FIG. 4 is a third side elevation view thereof, which is opposite the first side elevation view of FIG. 2.

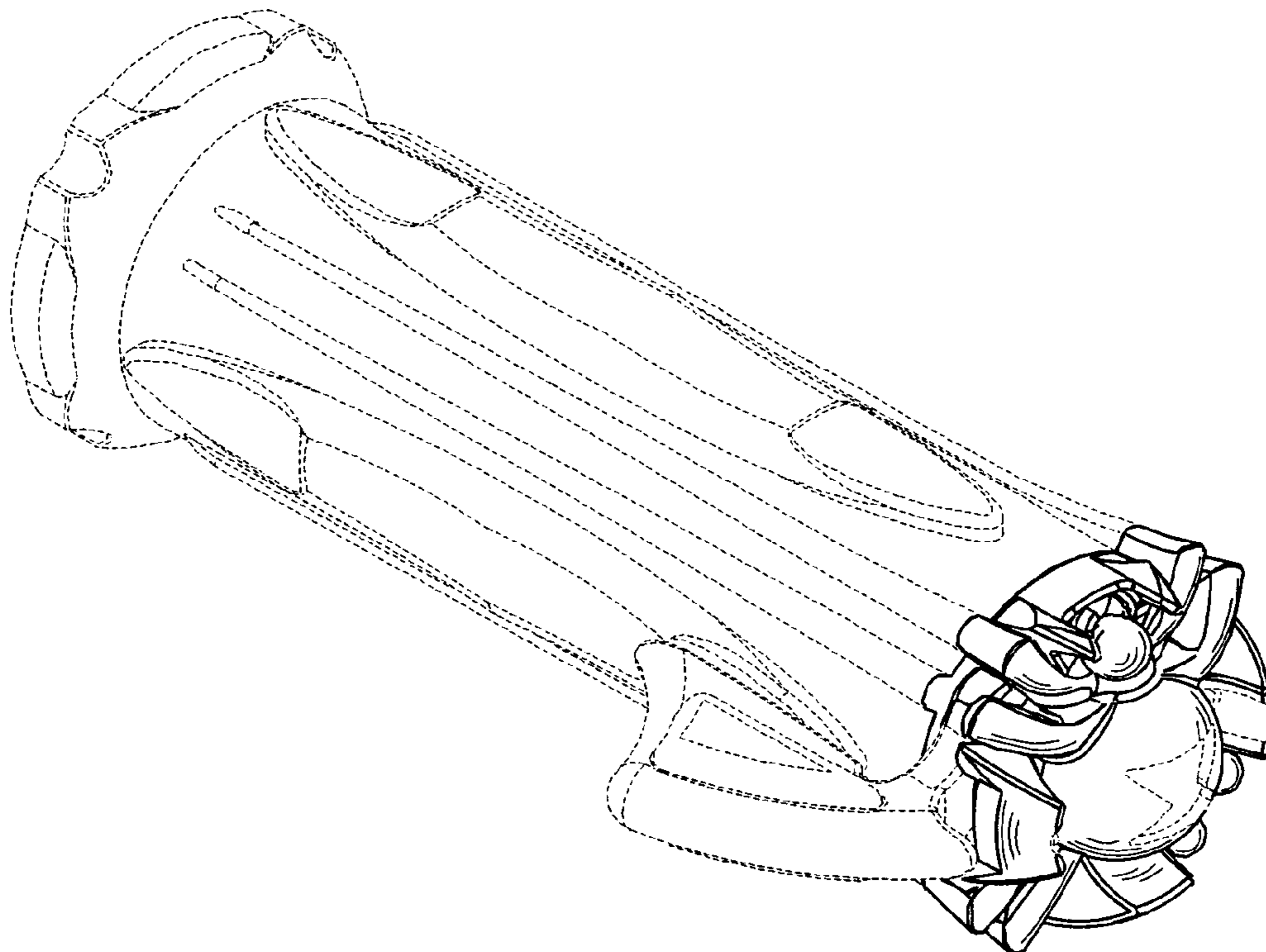
FIG. 5 is a fourth side elevation view thereof, which is opposite the second side elevation view of FIG. 3.

FIG. 6 is an end view of the visible end thereof; and,

FIG. 7 is an end view of the opposite end thereof.

Those portions of the motorcycle grip shown in broken lines are included for illustrative purposes only and form no part of the claimed design.

1 Claim, 6 Drawing Sheets



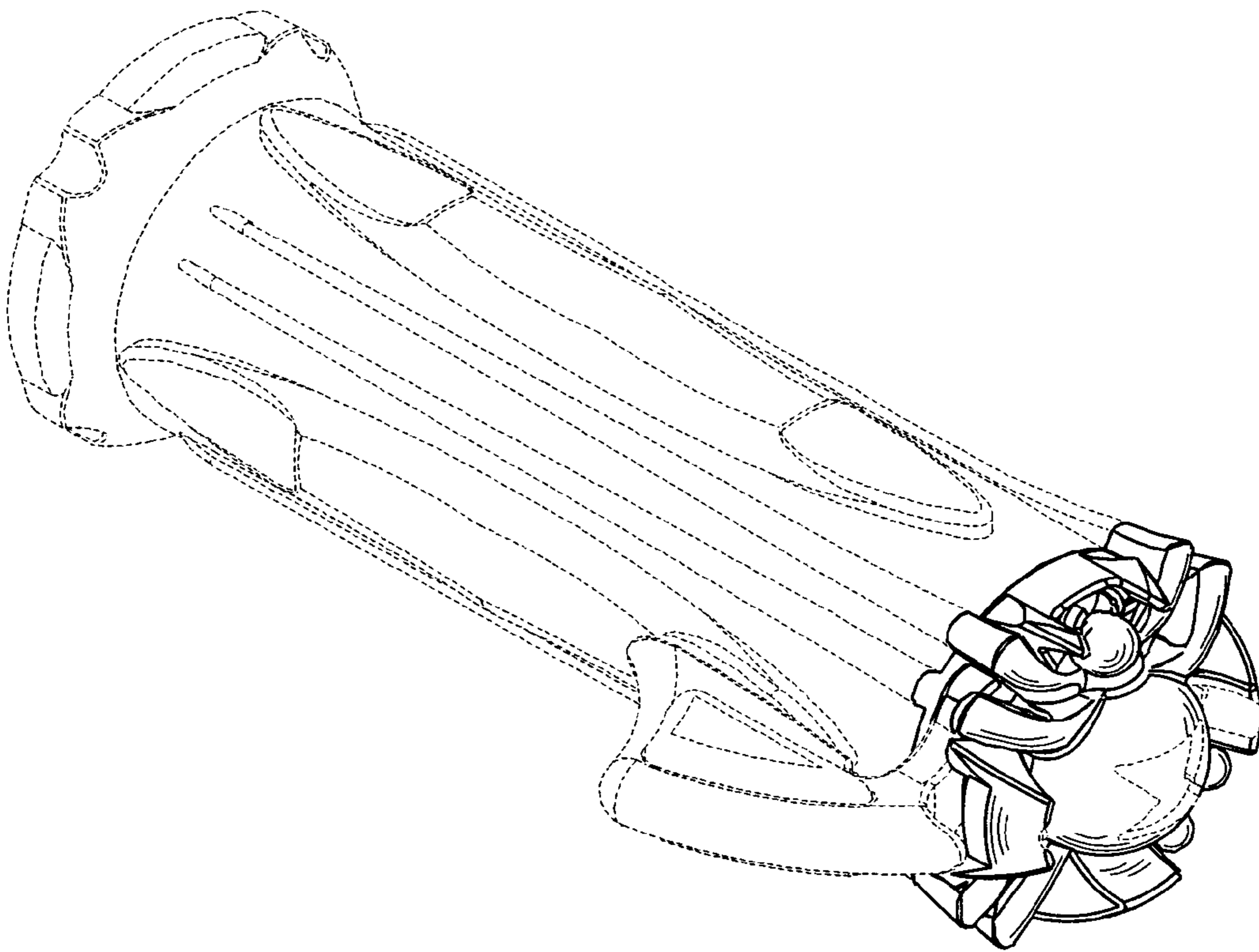


Fig. 1

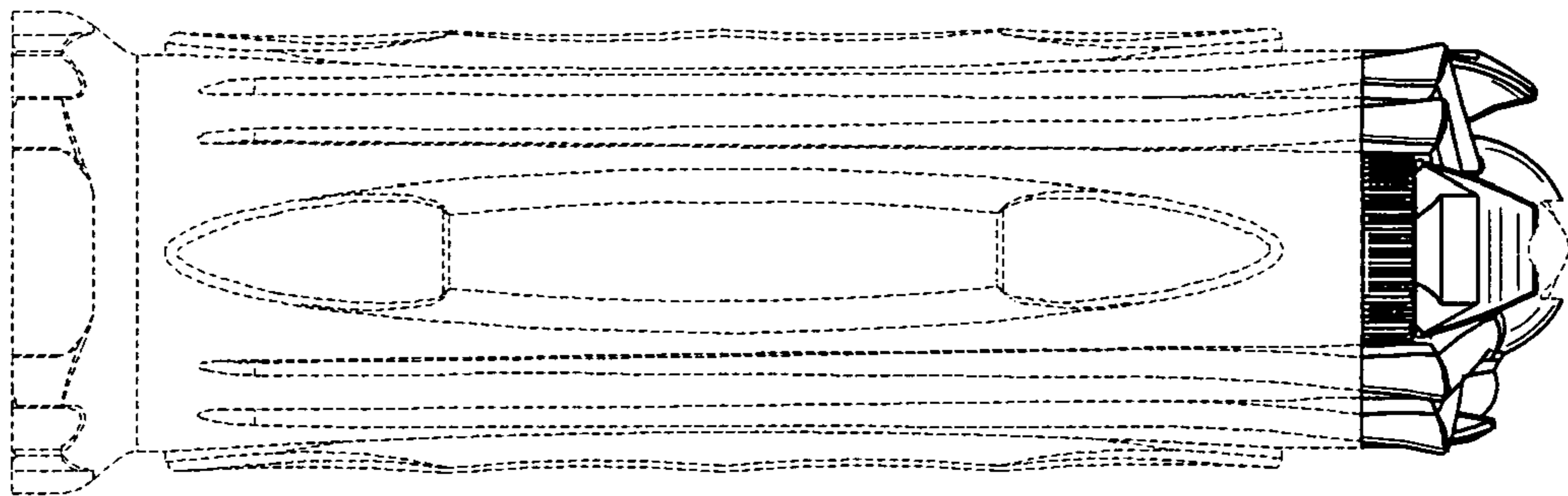


Fig. 2

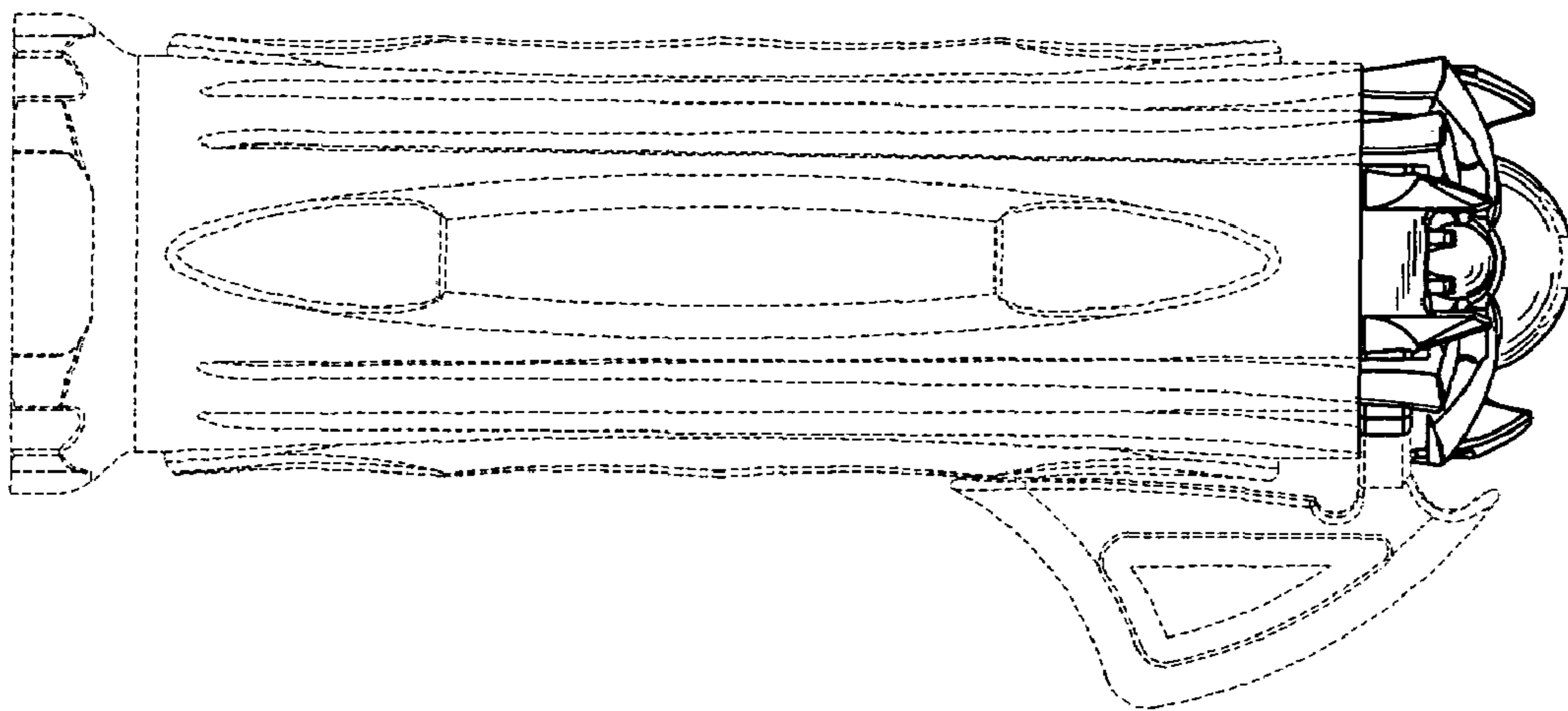


Fig. 3

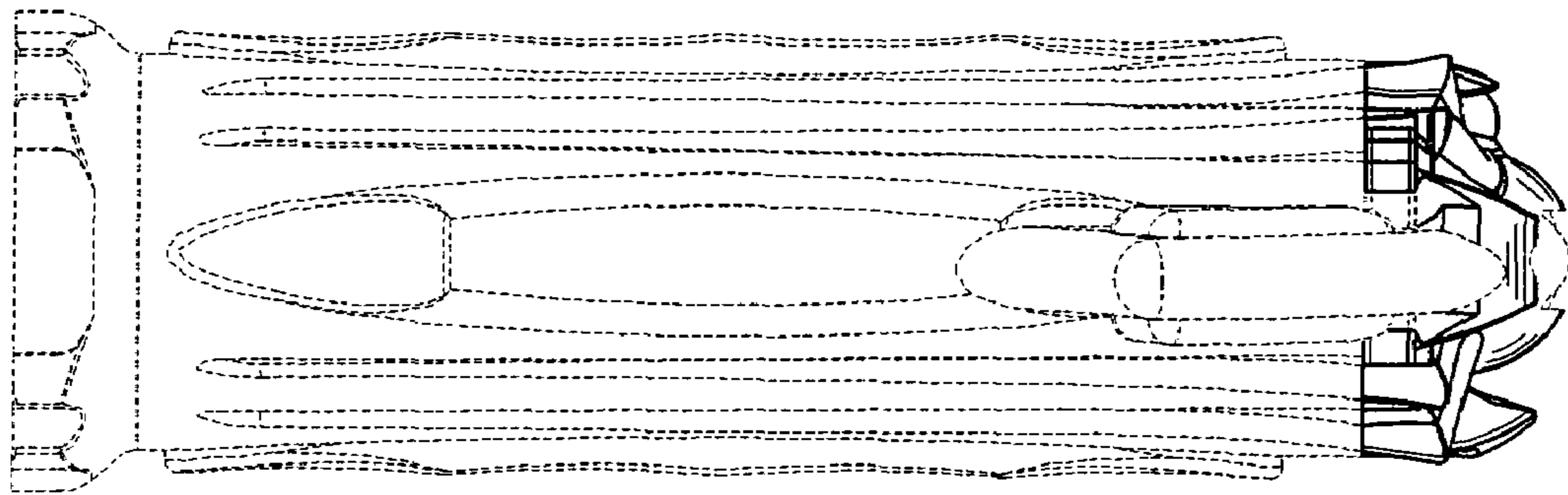


Fig. 4

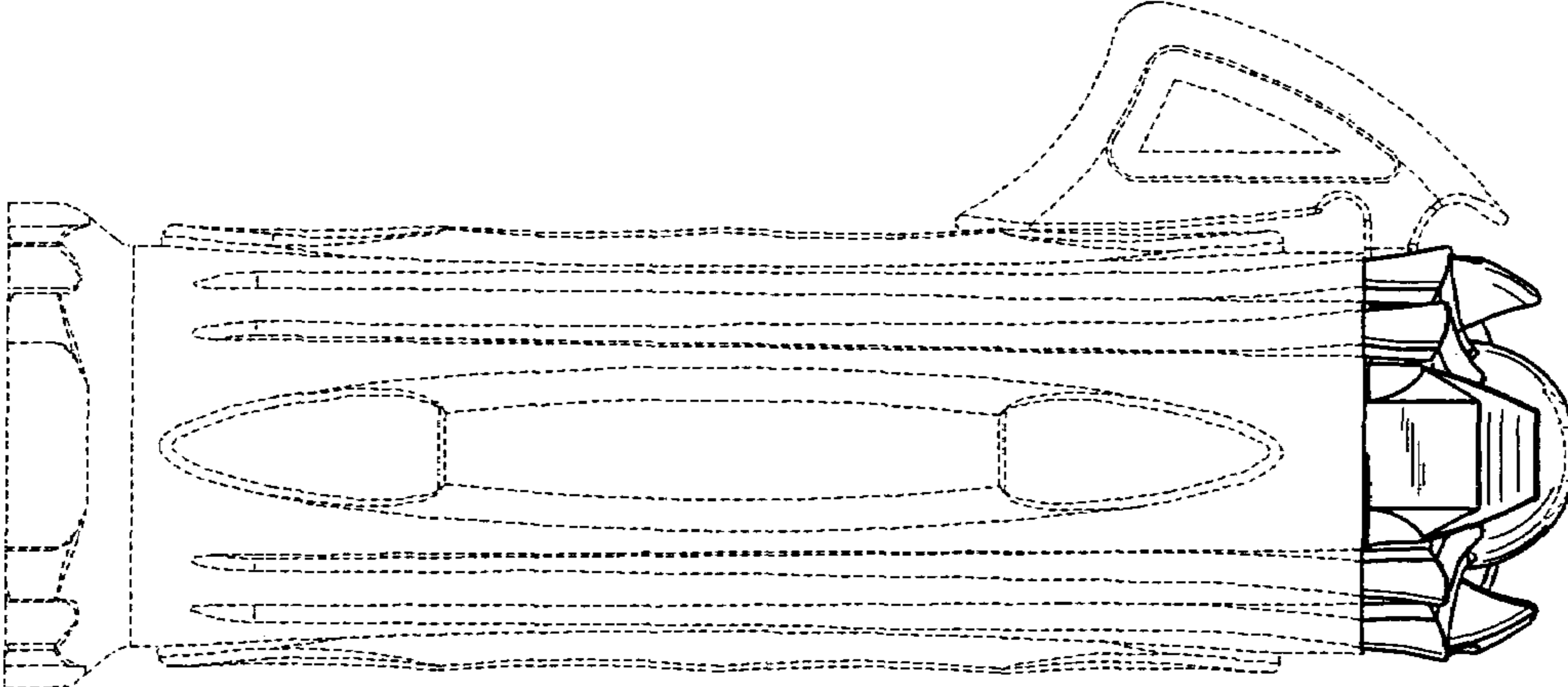


Fig. 5

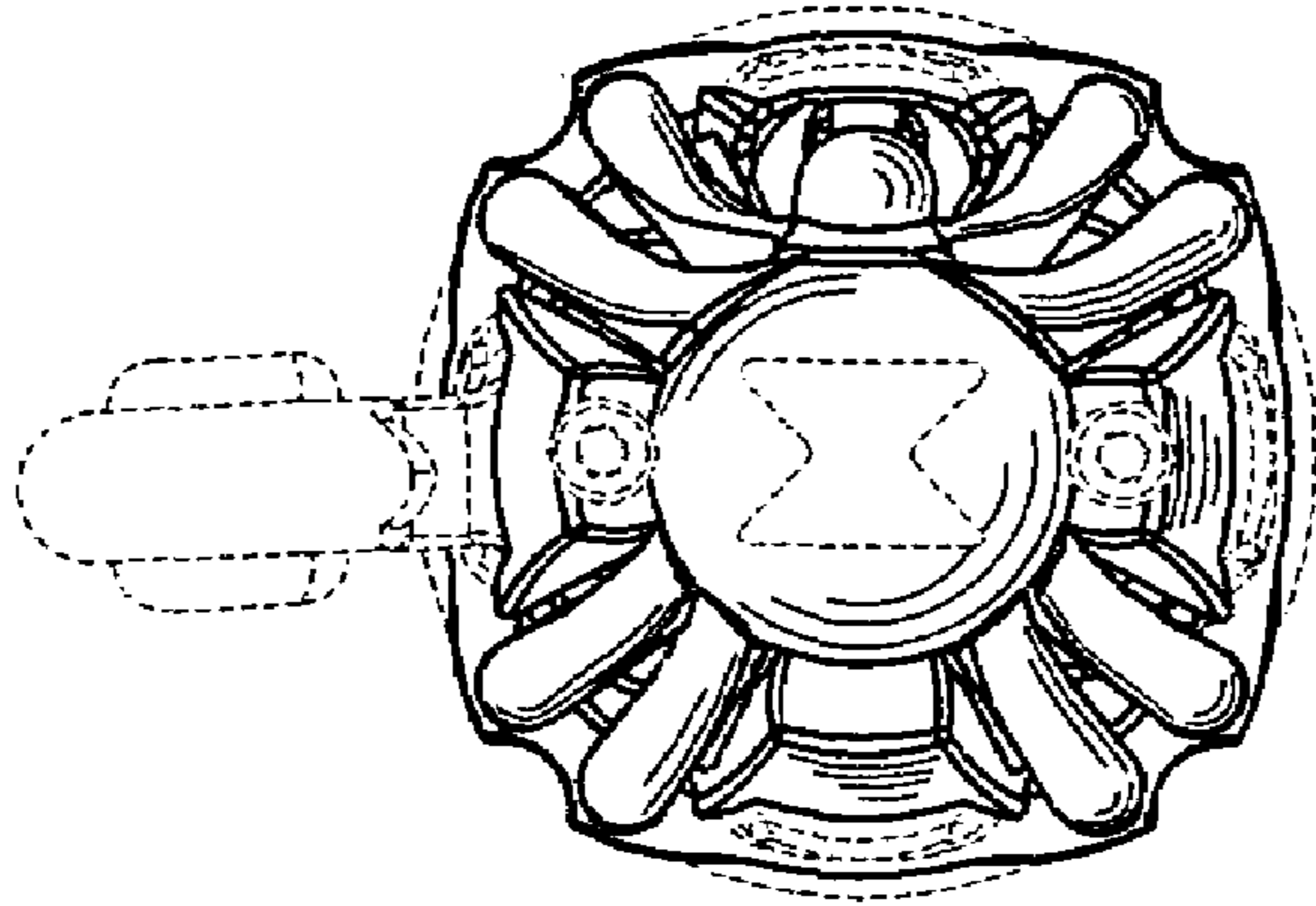


Fig. 6

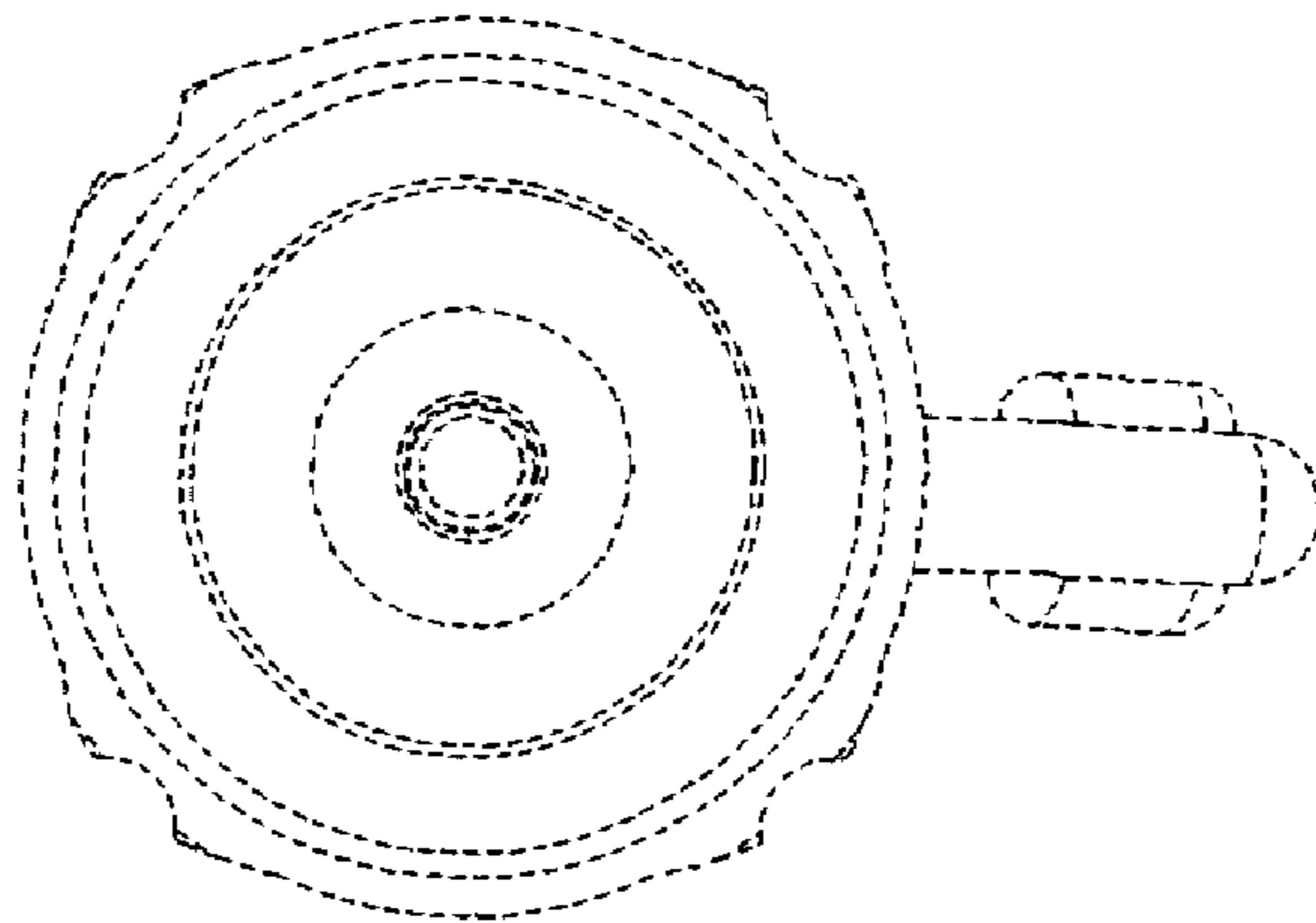


Fig. 7