



US00D576010S

(12) **United States Design Patent**
Tsuda

(10) **Patent No.:** **US D576,010 S**
(45) **Date of Patent:** **** Sep. 2, 2008**

(54) **ROTATABLE TOOL HANDLE**

(75) Inventor: **Hollan A. Tsuda**, Portland, OR (US)

(73) Assignee: **Leatherman Tool Group, Inc.**,
Portland, OR (US)

(**) Term: **14 Years**

(21) Appl. No.: **29/273,640**

(22) Filed: **Mar. 9, 2007**

(51) **LOC (8) Cl.** **08-05**

(52) **U.S. Cl.** **D8/107**

(58) **Field of Classification Search** D8/1,
D8/4, 6, 7, 51, 52, 54-56, 99, 105, 107; 7/118,
7/119, 125-135, 158, 163-166, 168; 30/161;
81/427.5, 440

See application file for complete search history.

(56) **References Cited**

U.S. PATENT DOCUMENTS

148,488 A	3/1874	Mosher
205,108 A	6/1878	Locke
310,439 A	1/1885	Kamak
403,500 A	5/1889	Wingenroth
405,642 A	6/1889	Woodle
406,524 A	7/1889	Jennings
459,409 A	9/1891	Maltby
486,560 A	11/1892	Dinkel
516,389 A	3/1894	Crutsinger

(Continued)

FOREIGN PATENT DOCUMENTS

DE 30788 3/1885

(Continued)

OTHER PUBLICATIONS

R.C.E., Magnum Fish Tail Holder, Photocopy of packaging and digital photographs of product, at least as early as 1990, 5 pages.

(Continued)

Primary Examiner—Cathron Brooks

Assistant Examiner—Barbara Fox

(74) *Attorney, Agent, or Firm*—Chernoff, Vilhauer, McClung & Stenzel, LLP

(57) **CLAIM**

The ornamental design for a rotatable tool handle, as shown and described.

DESCRIPTION

FIG. 1 is an isometric view from the upper right front of a rotatable tool handle embodying my new design, shown with the unclaimed environment of a gardening tool including pruning shears;

FIG. 2 is an isometric view from the upper right front of the rotatable tool handle shown in FIG. 1;

FIG. 3 is an isometric view from the lower right rear thereof;

FIG. 4 is a right side elevational view thereof;

FIG. 5 is a top plan view thereof;

FIG. 6 is a bottom plan view thereof;

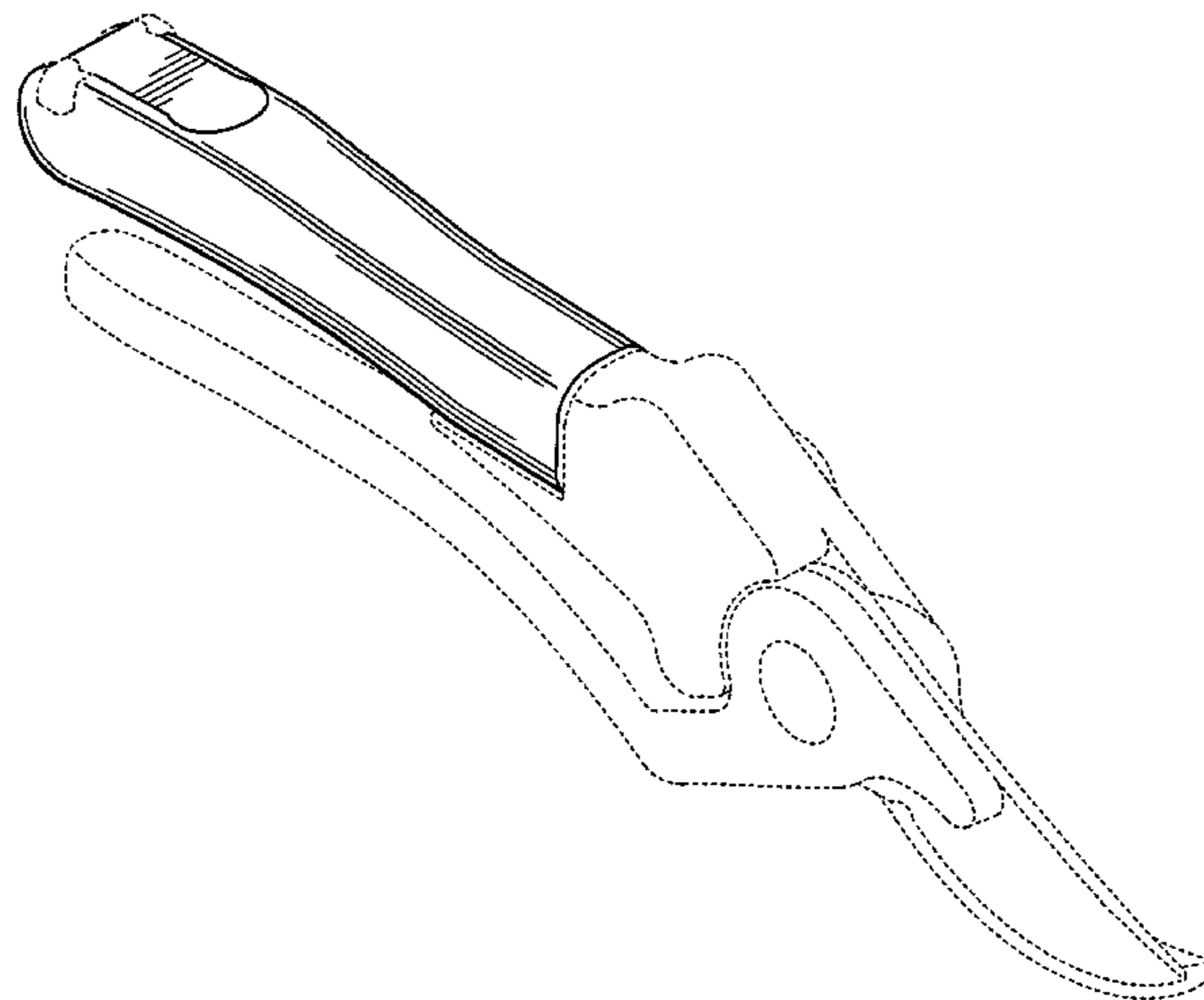
FIG. 7 is a left side elevational view thereof;

FIG. 8 is a rear end elevational view thereof; and,

FIG. 9 is a front end elevational view thereof.

Portions of a gardening tool, including the blades of the pruning shears, a second handle of the shears, the portion of the shears forward of the rotatable tool handle, spacers, portions of folded tool blades, portions of a latch, a pivot shaft, and the margins of a cavity within the handle are shown in broken line for illustrative purposes and form no part of the claimed design. The broken lines immediately adjacent to the shaded areas of the drawing views represent unclaimed boundaries of the design.

1 Claim, 2 Drawing Sheets



US D576,010 S

Page 2

U.S. PATENT DOCUMENTS						
			5,697,114 A	12/1997	McIntosh et al.	
			5,711,194 A	1/1998	Anderson et al.	
			5,745,997 A	5/1998	Berg et al.	
			5,761,815 A	6/1998	Lin	
			5,765,247 A	6/1998	Seber et al.	
			5,781,950 A	7/1998	Swinden et al.	
			5,799,400 A	9/1998	Glesser	
			5,809,600 A	9/1998	Cachot	
			5,822,867 A	10/1998	Sakai	
			5,857,268 A	1/1999	Park	
			D407,286 S	3/1999	Seber et al.	
			5,930,900 A	8/1999	Chang	
			5,933,893 A	8/1999	Padden	
			D414,393 S *	9/1999	Berg et al.	D8/55
			5,946,752 A	9/1999	Parrish	
			5,950,314 A	9/1999	Chang	
			5,960,498 A	10/1999	Nabors et al.	
			5,978,993 A	11/1999	Rivera	
			5,979,059 A	11/1999	Leatherman et al.	
			6,009,582 A	1/2000	Harrison et al.	
			6,014,787 A	1/2000	Rivera	
			6,038,723 A	3/2000	Nabors et al.	
			6,065,213 A	5/2000	Rivera	
			D427,501 S *	7/2000	Berg et al.	D8/105
			6,088,861 A	7/2000	Sessions et al.	
			6,098,225 A	8/2000	McIntosh et al.	
			6,108,845 A	8/2000	Hung et al.	
			6,151,999 A	11/2000	Eklind	
			6,233,769 B1	5/2001	Seber et al.	
			6,243,901 B1	6/2001	Elsener et al.	
			6,249,977 B1	6/2001	Knoop	
			6,282,996 B1	9/2001	Berg et al.	
			6,286,397 B1	9/2001	Taggart et al.	
			6,289,768 B1	9/2001	Anderson et al.	
			6,301,787 B2	10/2001	Mock	
			6,305,041 B1	10/2001	Montague et al.	
			6,336,272 B1	1/2002	Lee	
			6,357,068 B1	3/2002	Seber et al.	
			D457,413 S *	5/2002	Cooper	D8/107
			6,389,625 B1	5/2002	Rivera	
			6,397,709 B1	6/2002	Wall	
			6,418,626 B1	7/2002	Jang	
			6,430,768 B2	8/2002	McIntosh et al.	
			6,438,848 B1	8/2002	McHenry et al.	
			6,446,344 B1	9/2002	Gontar	
			6,481,034 B2	11/2002	Elsener et al.	
			6,487,740 B2	12/2002	Seber et al.	
			6,510,767 B1	1/2003	Rivera	
			6,574,868 B1	6/2003	Overholt	
			6,622,327 B1	9/2003	Rivera	
			6,622,328 B2	9/2003	Rivera	
			6,625,832 B2	9/2003	Montague et al.	
			6,625,888 B2	9/2003	Heck et al.	
			6,634,105 B2	10/2003	Lindermeir	
			6,691,357 B2	2/2004	Rivera	
			6,763,543 B2	7/2004	Rivera	
			D497,093 S *	10/2004	Rivera et al.	D8/107
			D497,094 S *	10/2004	Rivera et al.	D8/107
			D497,791 S *	11/2004	Rivera et al.	D8/107
			D501,127 S *	1/2005	Rivera et al.	D8/107
			6,990,702 B2	1/2006	Rivera	
			7,051,627 B2	5/2006	Rivera	
			D529,781 S *	10/2006	Yale	D8/105
			D538,130 S *	3/2007	Yale	D8/107
			D542,107 S *	5/2007	Yale et al.	D8/52
			D543,432 S *	5/2007	Rivera et al.	D8/107
			2001/0018778 A1	9/2001	Montague et al.	
			2002/0124415 A1	9/2002	Mizutani et al.	
			2003/0014868 A1	1/2003	Cech et al.	

2003/0062055 A1 4/2003 Park

WO WO-98/18599 5/1998

FOREIGN PATENT DOCUMENTS

DE	145784	11/1903
DE	179077	11/1906
DE	2322229	5/1974
EP	0714736	6/1996
EP	0854014	7/1998
EP	0980742	2/2000
FR	2306050	10/1976
GB	21369	3/1895
GB	15859	9/1904
JP	3041991	2/1991

OTHER PUBLICATIONS

Bear MCG, MGC Cutlery Product Catalog, Item No. 444SR depicting a fixed blade knife combined with serrated edge and gut hook, at least as early as 1996, 20 pages.

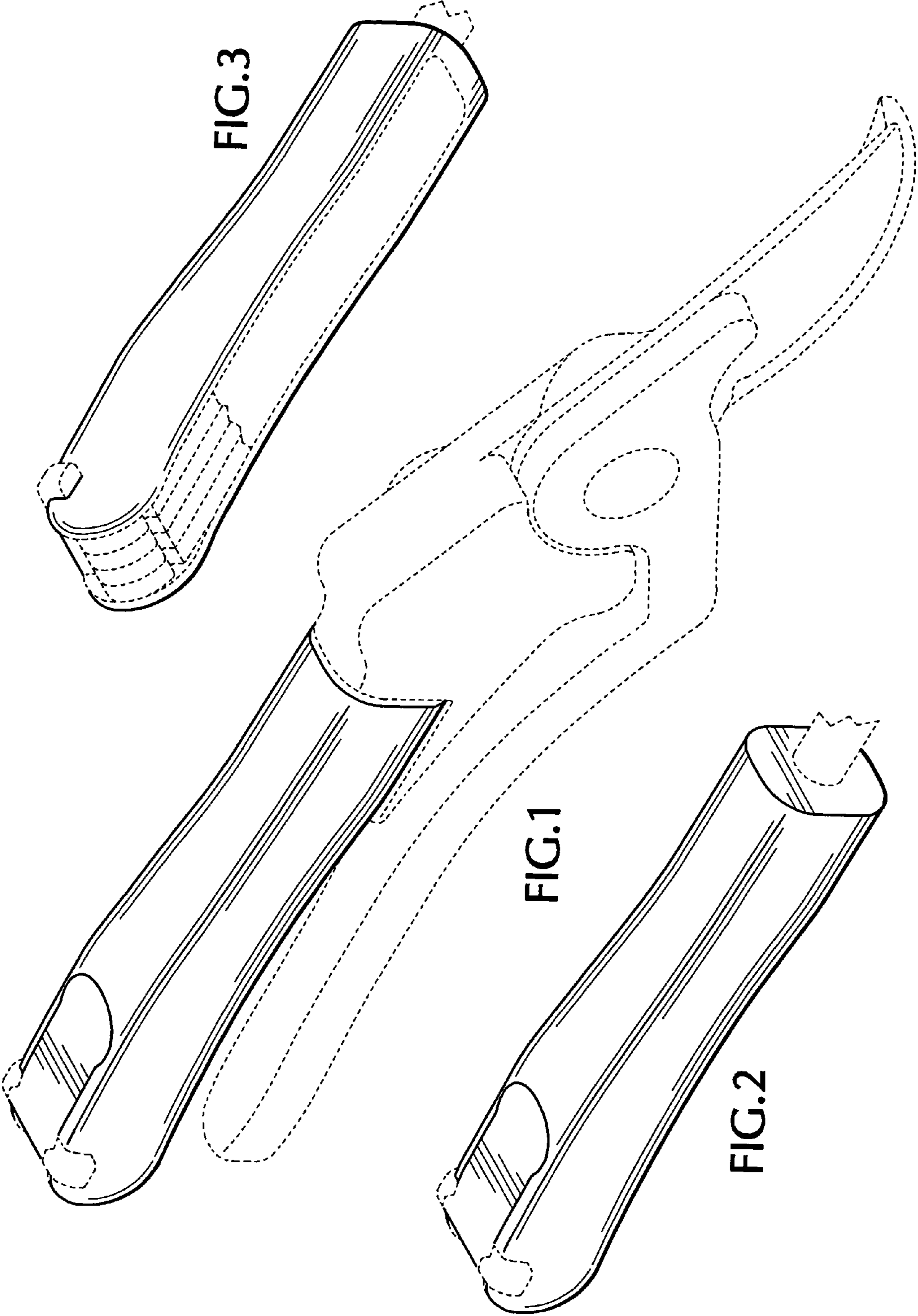
The Surecut Clipper Co., A Division of McGuire Industries, The Pocket Gardener, at least as early as Jan. 2003, photocopies of digital photographs taken of product and packaging, 13 pages.

Remington Arms, Co., Bird Hunters Tool, at least as early as Jan. 2003, photocopies of digital photos taken of product and packaging, 6 pages.

The Rumford Gardener, 8 in 1 Gardener Tool, at least as early as Aug. 2003, photocopies of digital photos taken of product and packaging, 8 pages.

Fiskars, Inc., Multi-Snip Tool Kit, photocopy of instruction sheet and digital photos of tool, at least as early as Aug. 1996, ten pages.

* cited by examiner



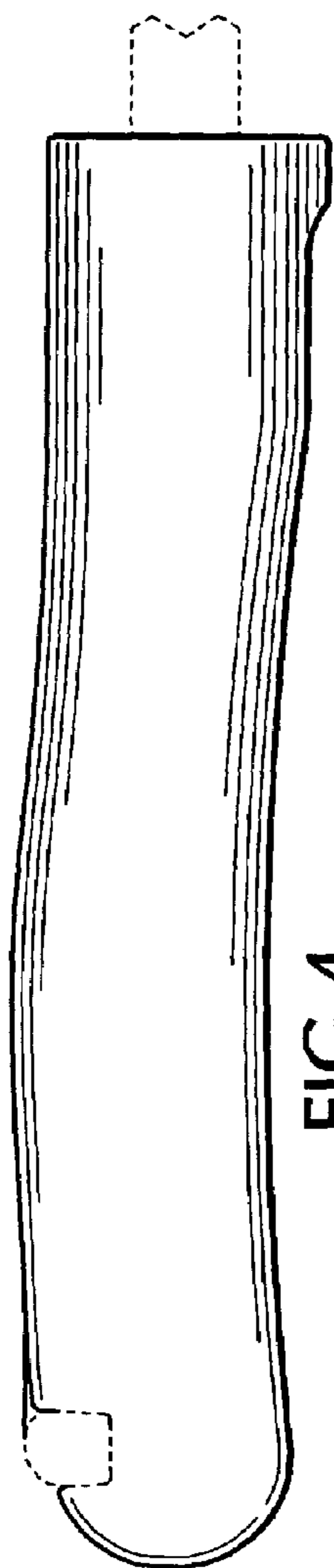


FIG. 4

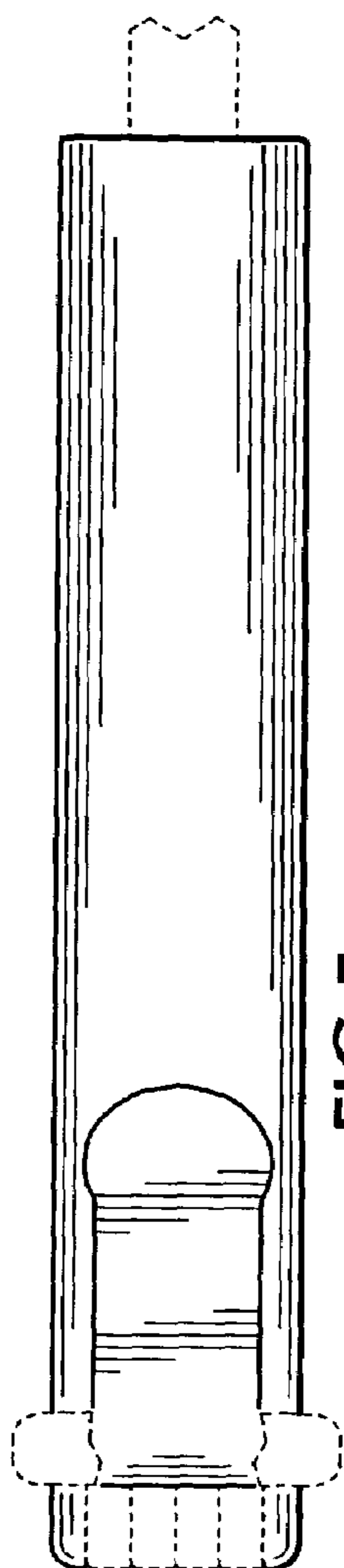


FIG. 5

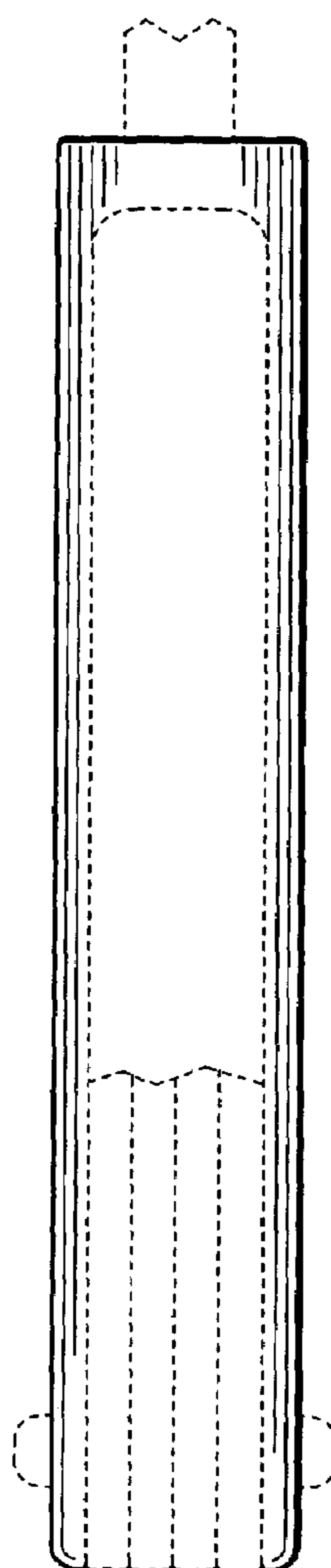


FIG. 6

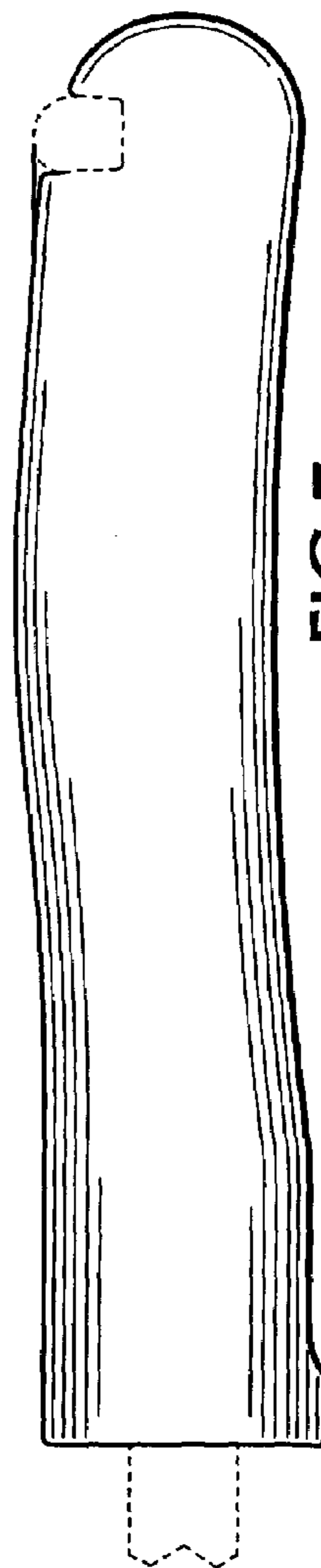


FIG. 7

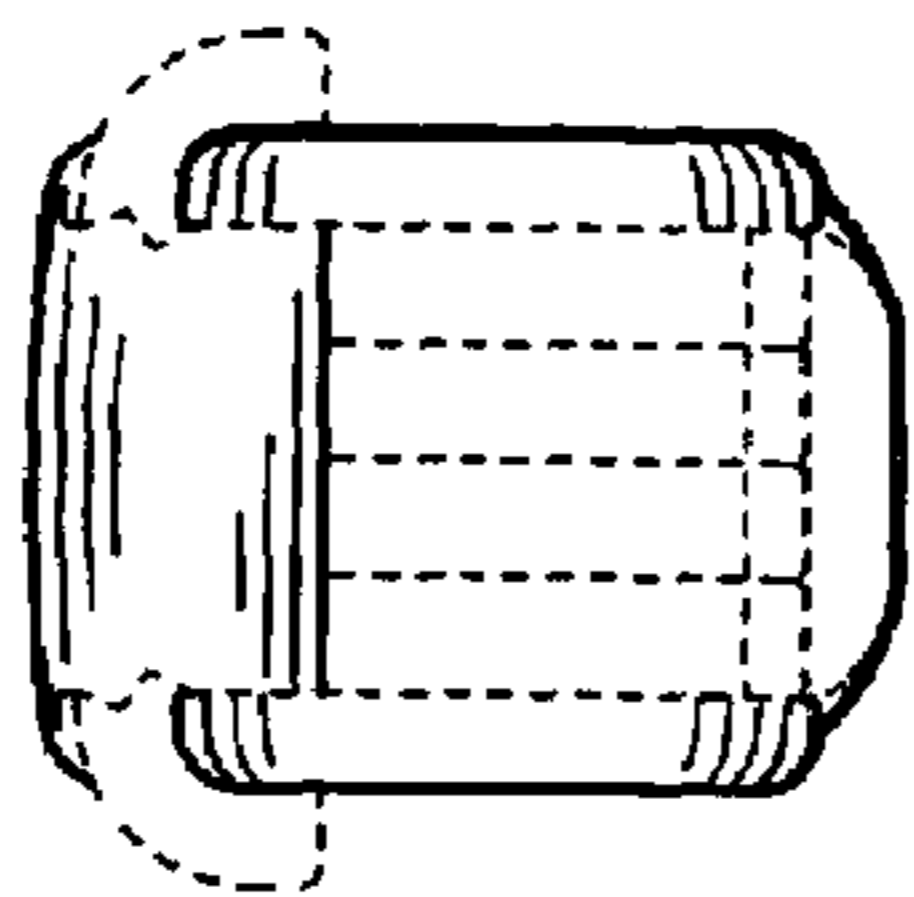


FIG. 8

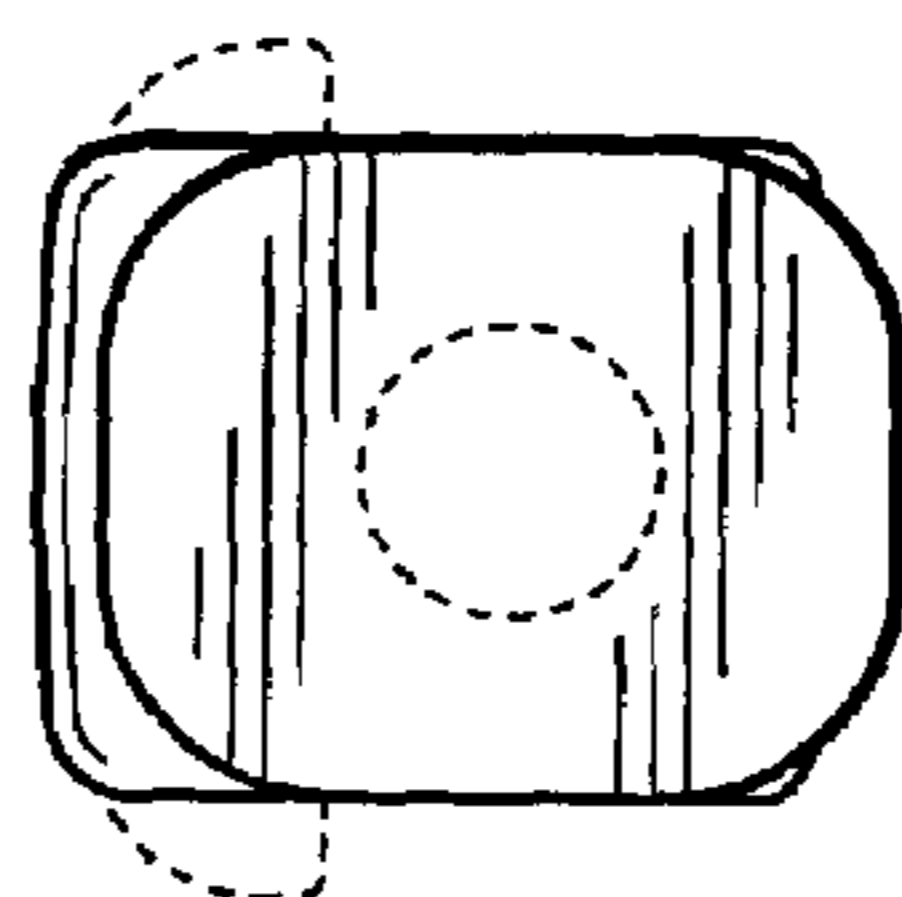


FIG. 9