



US00D576008S

(12) **United States Design Patent**
Franks, Jr.

(10) **Patent No.:** **US D576,008 S**
(45) **Date of Patent:** **** Sep. 2, 2008**

(54) **LIP MOUNT METER BOX CLAMP**

(75) Inventor: **George J. Franks, Jr.**, Inverness, IL
(US)

(73) Assignee: **Senior Industries, Inc.**, Wood Dale, IL
(US)

(**) Term: **14 Years**

(21) Appl. No.: **29/250,404**

(22) Filed: **Nov. 13, 2006**

(51) **LOC (8) Cl.** **08-05**

(52) **U.S. Cl.** **D8/72**

(58) **Field of Classification Search** D8/71-74,
D8/394-397, 354-356, 382, 383, 364; 248/62,
248/689, 124.2, 643; 81/487, 427, 321; 269/3,
269/6, 143, 165, 240, 249, 243, 97; 29/256,
29/257, 276; D15/140; 439/801, 803; D13/133,
D13/120; D24/135

See application file for complete search history.

(56) **References Cited**

U.S. PATENT DOCUMENTS

| | | | | | |
|-----------|-----|--------|----------------|-------|---------|
| 3,431,538 | A * | 3/1969 | Hubbard et al. | | D8/395 |
| D265,171 | S * | 6/1982 | Zukaitis | | D8/356 |
| 4,538,340 | A * | 9/1985 | Ricke | | 269/249 |
| D392,171 | S * | 3/1998 | Miller | | D8/72 |
| D393,998 | S * | 5/1998 | Anderson | | D8/394 |
| D395,997 | S * | 7/1998 | Coll et al. | | D8/354 |
| D407,010 | S * | 3/1999 | Sobczynski | | D8/354 |
| D440,853 | S * | 4/2001 | Welsh et al. | | D8/73 |

| | | | | | |
|-----------|------|---------|---------------|-------|---------|
| D442,065 | S * | 5/2001 | Rohde | | D8/356 |
| D443,493 | S * | 6/2001 | Skeem | | D8/72 |
| 6,342,138 | B1 * | 1/2002 | Brown | | 248/689 |
| D454,479 | S * | 3/2002 | Kolpin | | D8/355 |
| D460,400 | S * | 7/2002 | Manthei | | D8/354 |
| D464,250 | S * | 10/2002 | Warner et al. | | D8/355 |
| D480,361 | S * | 10/2003 | Lee | | D13/133 |
| D502,388 | S * | 3/2005 | Cortez et al. | | D8/356 |
| D508,676 | S * | 8/2005 | Franks, Jr. | | D13/133 |
| D548,050 | S * | 8/2007 | Yamamoto | | D8/354 |

* cited by examiner

Primary Examiner—Louis S Zarfaz

Assistant Examiner—David G Muller

(74) *Attorney, Agent, or Firm*—Bell, Boyd & Lloyd LLP

(57) **CLAIM**

The ornamental design for a lip mount meter box clamp, as shown and described.

DESCRIPTION

FIG. 1 is a front elevation view of a lip mount meter box clamp according to my new design.

FIG. 2 is a back elevation view thereof;

FIG. 3 is a left side elevation view thereof;

FIG. 4 is a right side elevation view thereof;

FIG. 5 is a top plan view thereof;

FIG. 6 is a bottom plan view thereof; and,

FIG. 7 is an isometric view thereof.

1 Claim, 6 Drawing Sheets

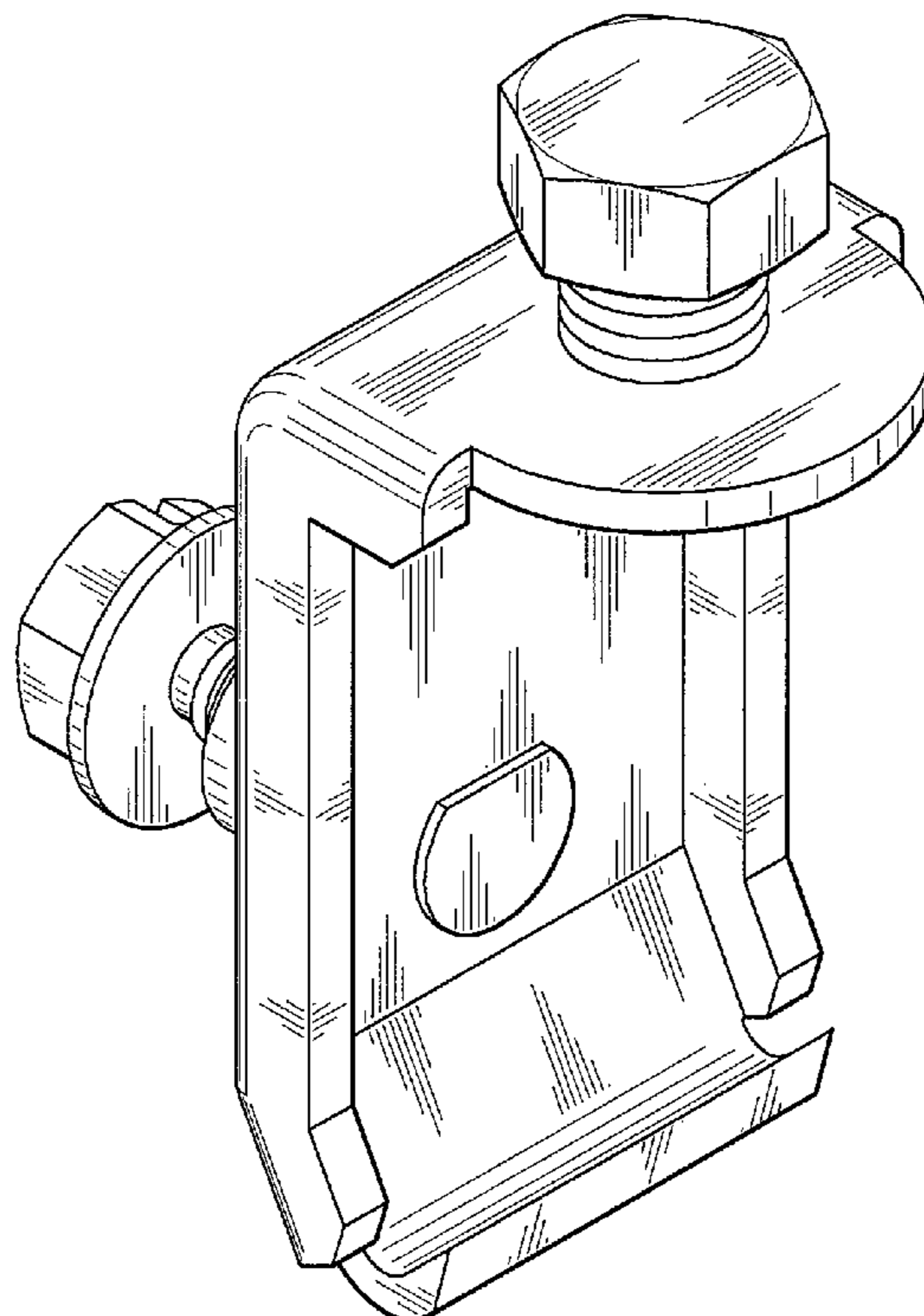


FIG. 1

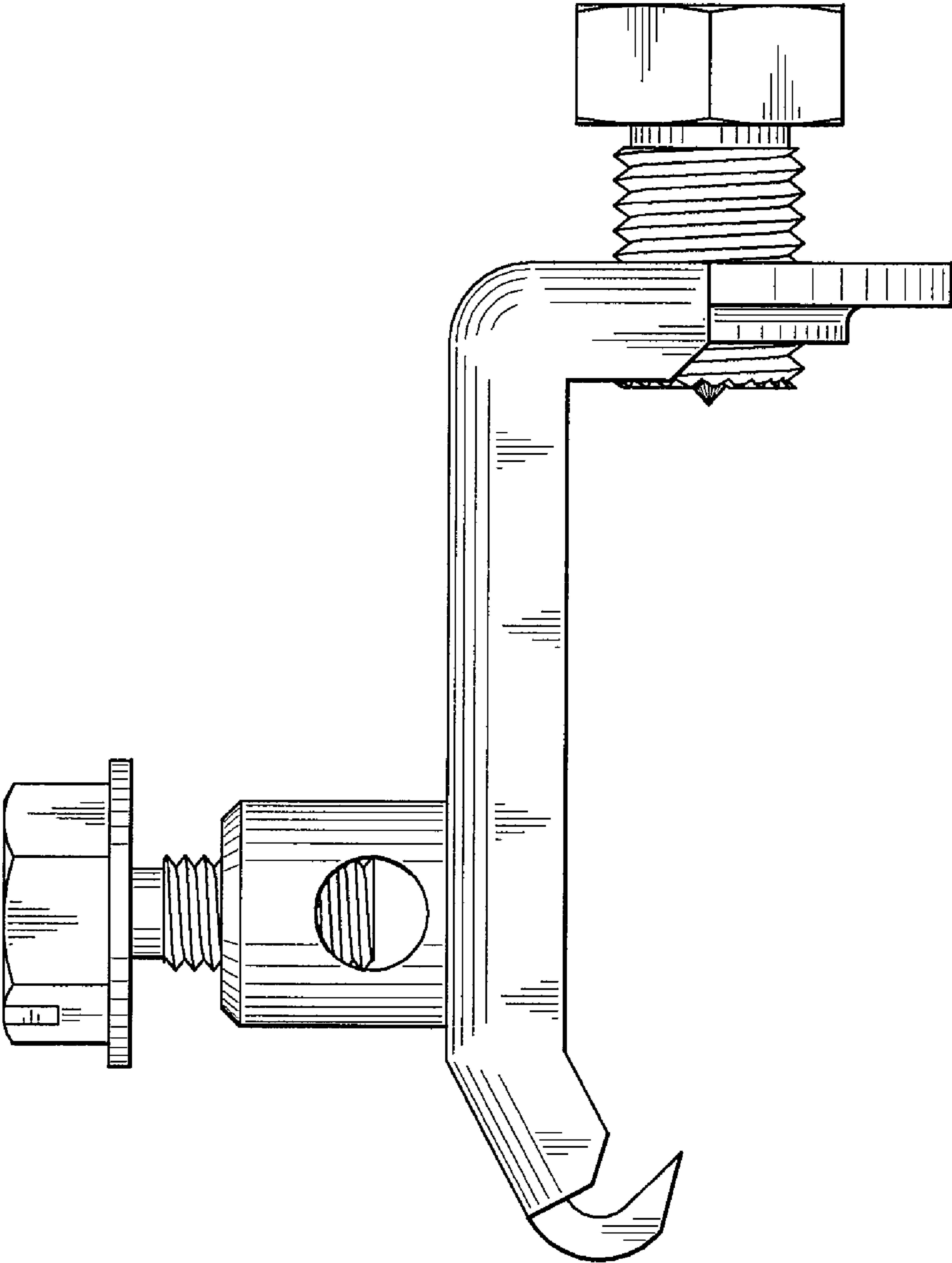


FIG. 2

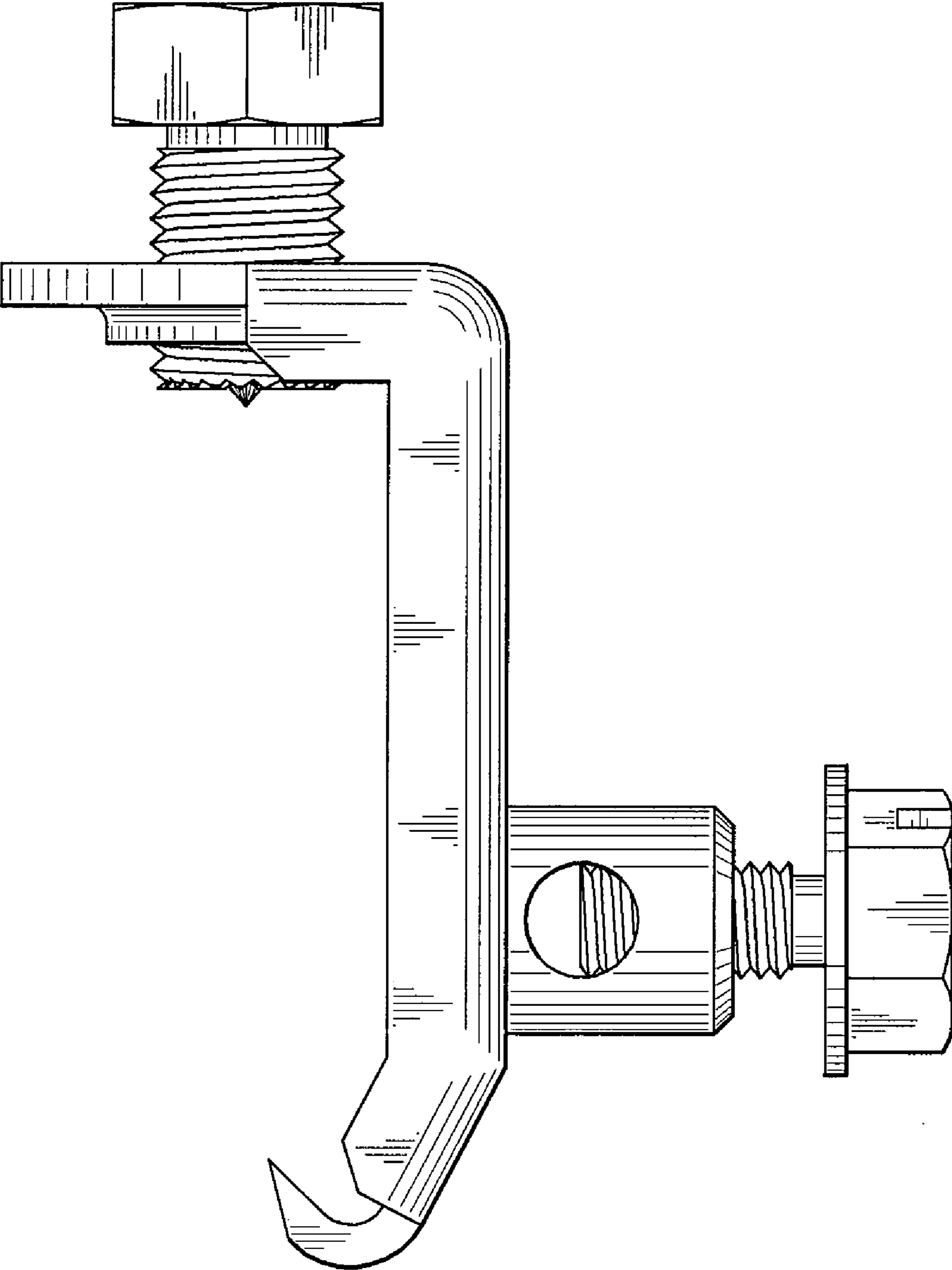


FIG. 3

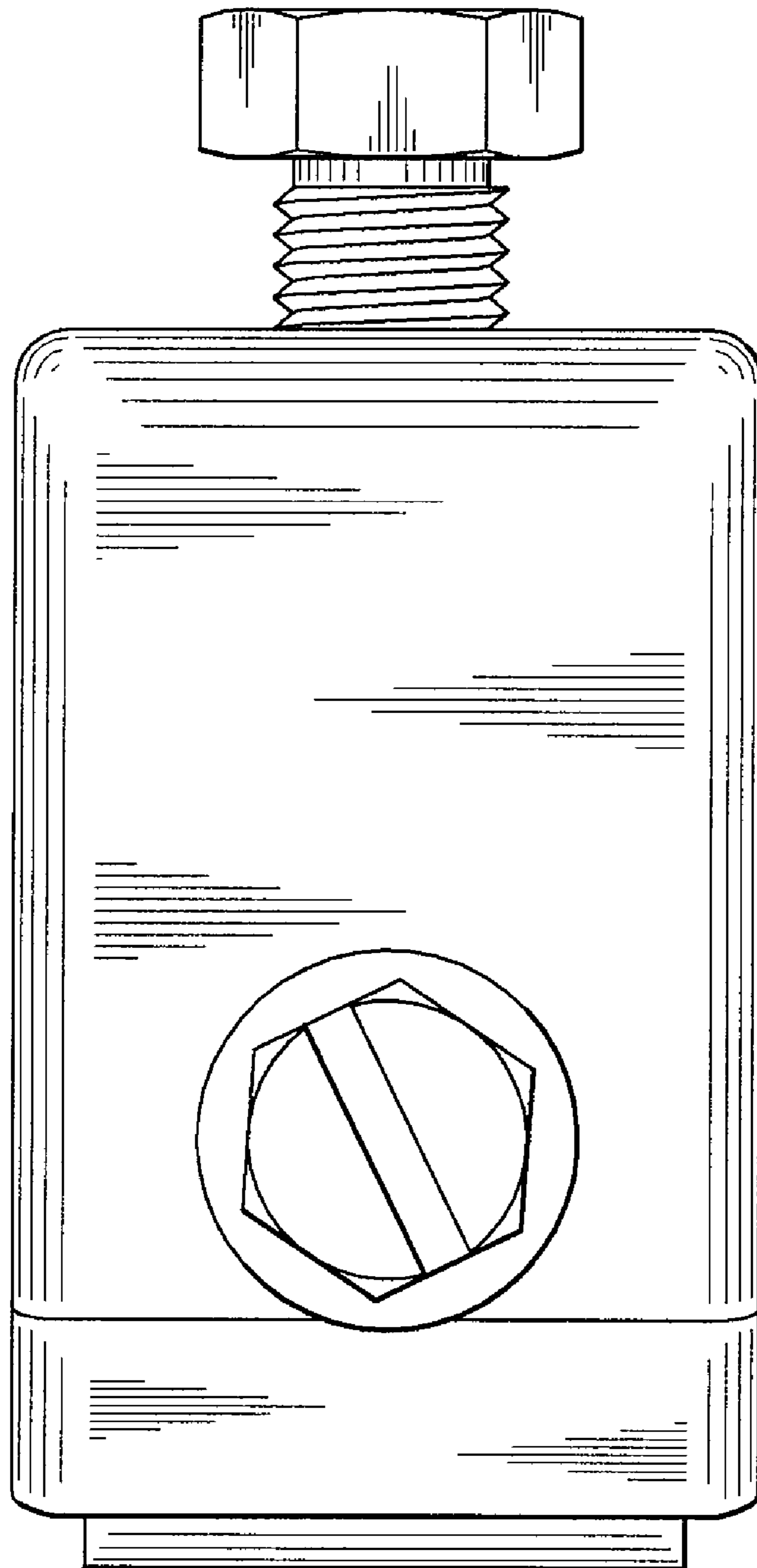


FIG. 4

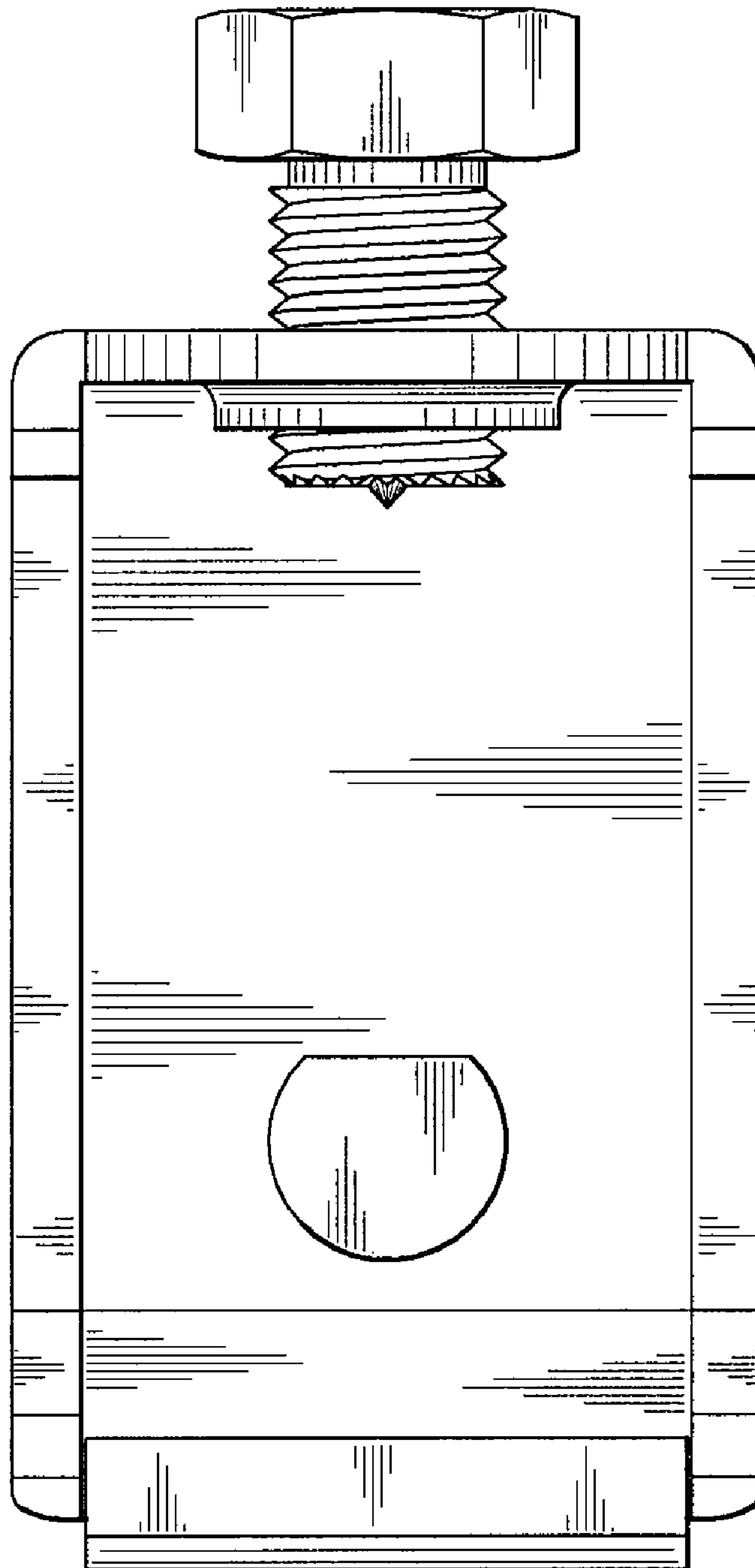


FIG. 5

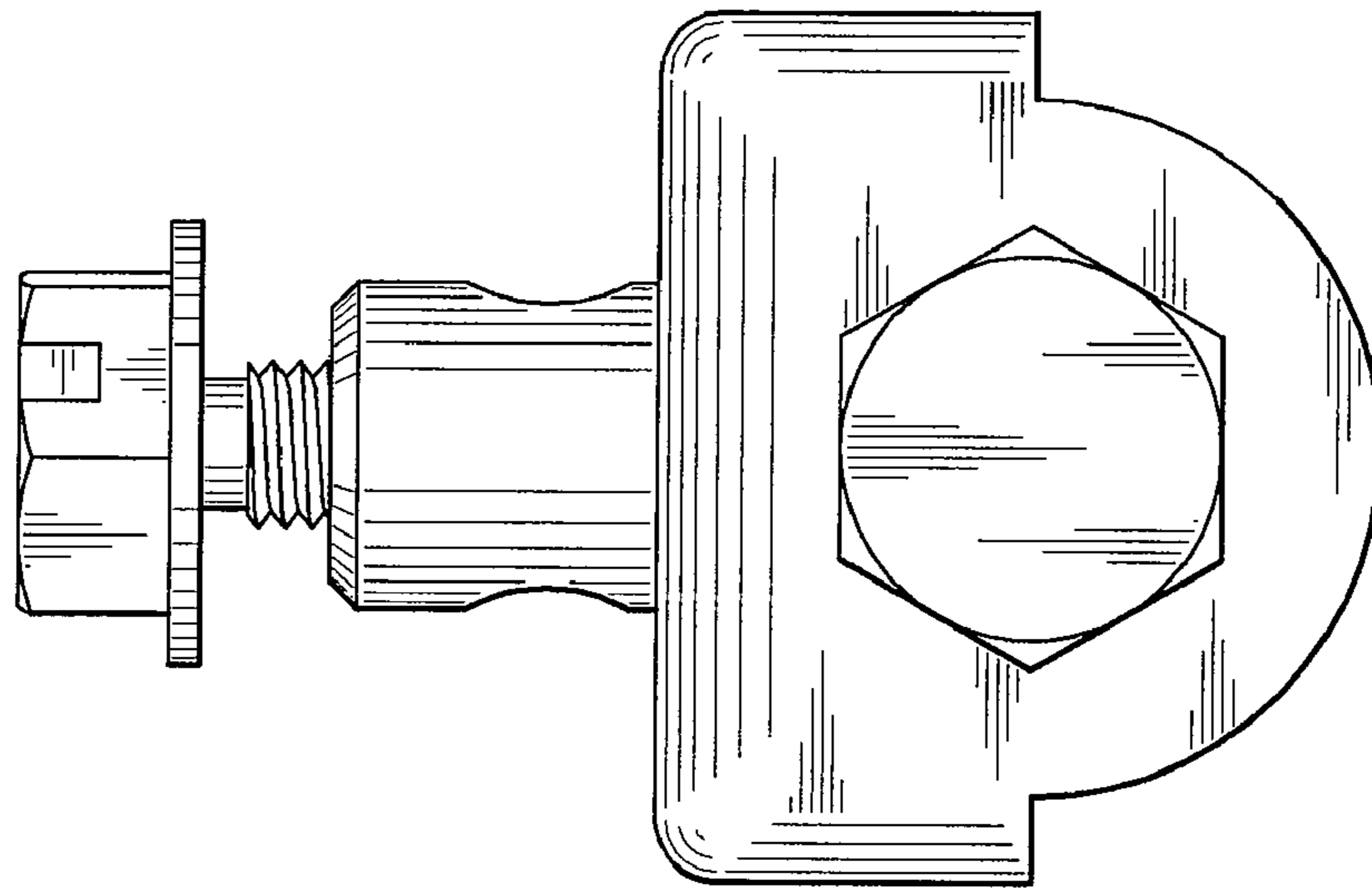


FIG. 6

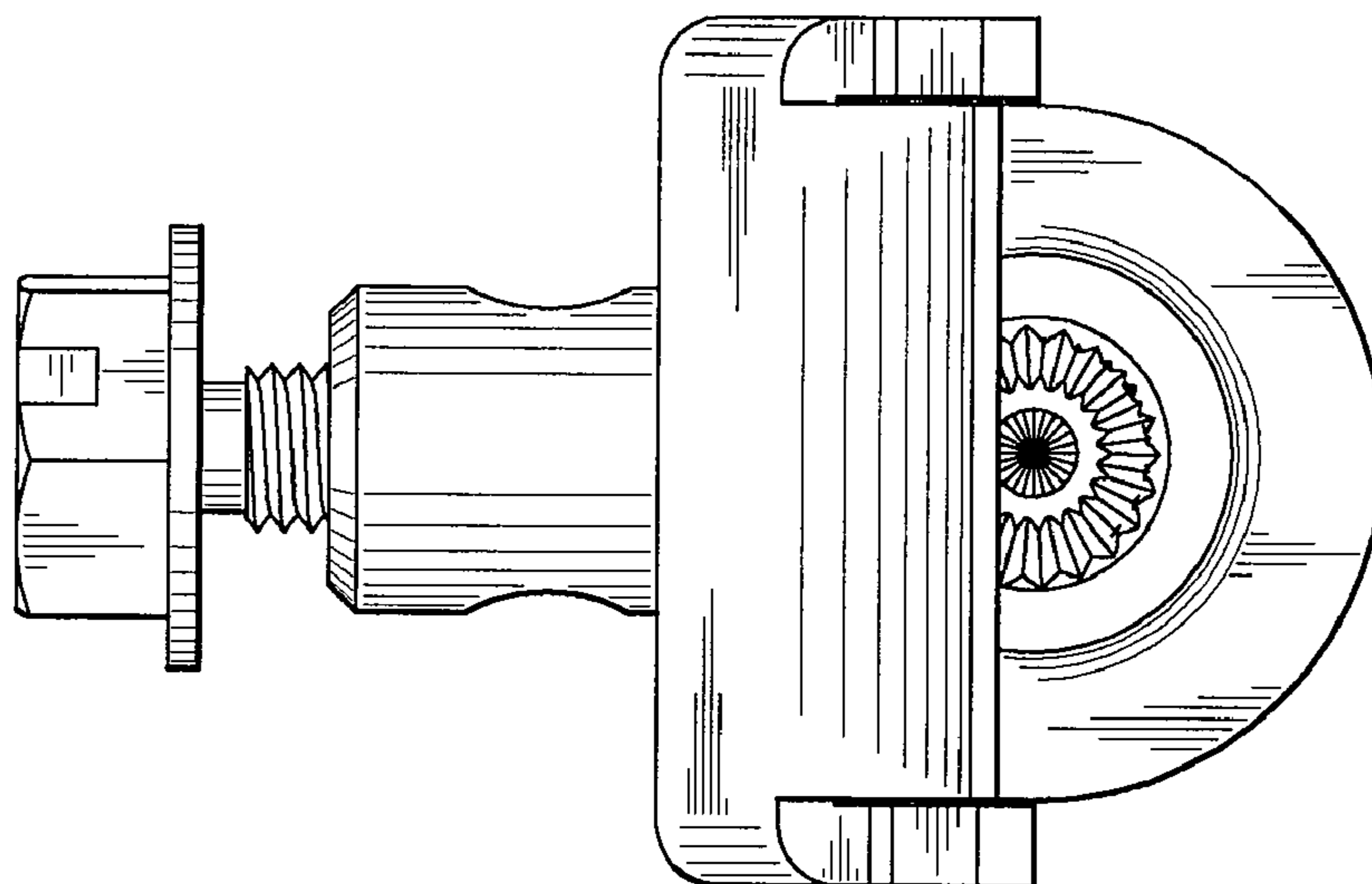


FIG. 7

